

Getting Started

Handy Tips & Tricks

User Manual

Read in conjunction with
Kwiktech Build Guide

Designed by

kwiktech.

Rev 1

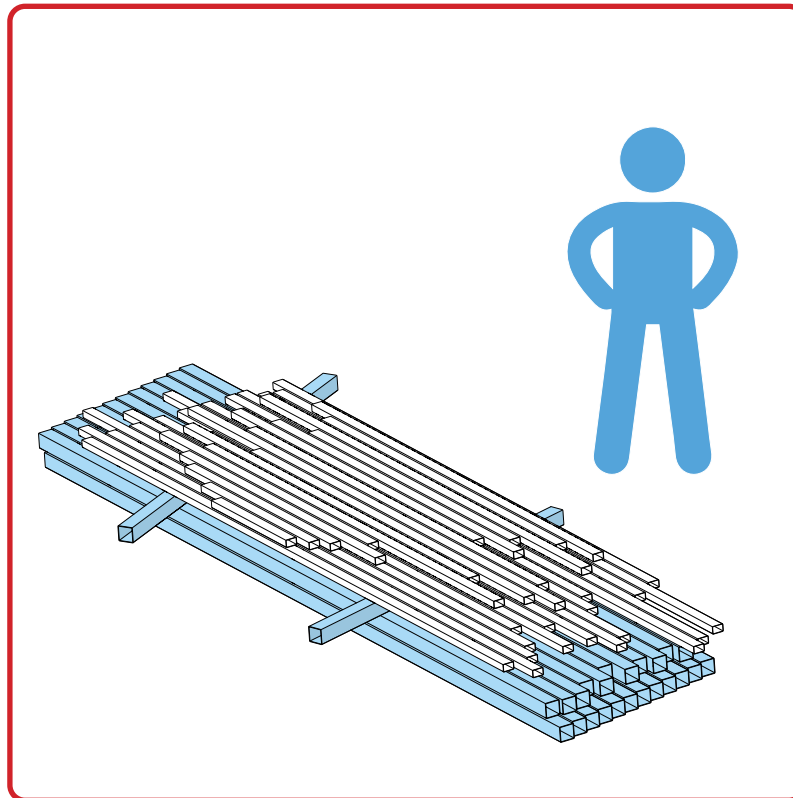
This Manual is the sole property of
Kwiktech Pty Ltd.
All rights are reserved.

This Manual is designed to be only
used with Kwiktech
produced products.

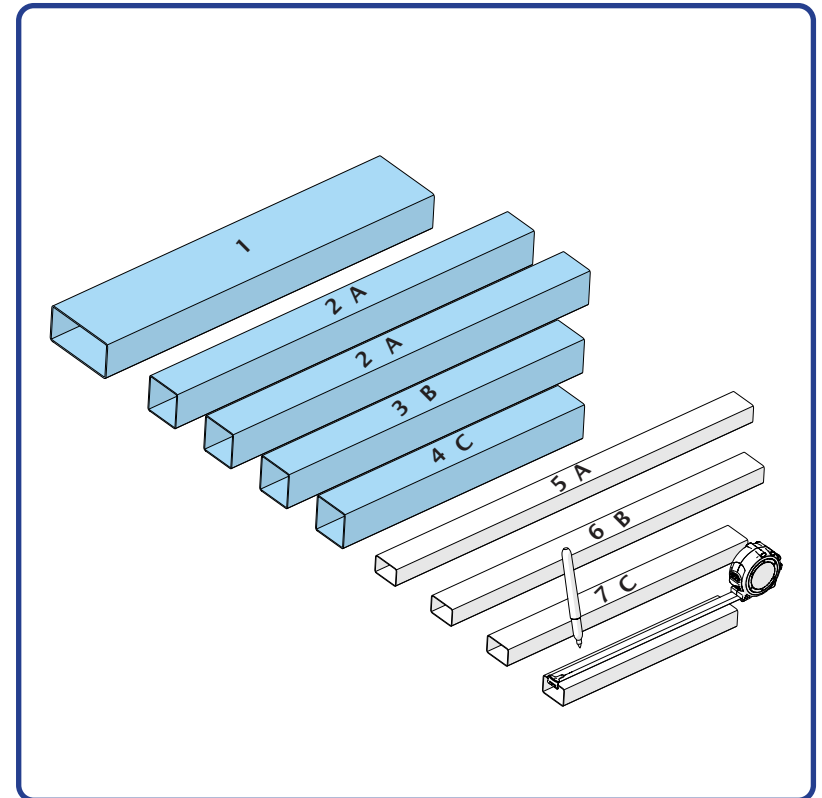
No part of this Manual or the
Kwiktech product design may be
copied or reproduced without the
consent of Kwiktech Pty Ltd.

Construction using Kwiktech
products may require planning
approval. Always contact your Local
Council for the most up-to-date
rules and regulations for your area.

All dimensions are in millimeters
(mm)



Issue: Determining steel members



Solution: With a tape measure and marker pen determine each material type and length and write on each member its manual related Item ID & Assembly ID from the material list. This will make the assembly process very easy.

Deformed & Burred RHS

Handy Tips & Tricks

User Manual

Read in conjunction with
Kwiktech Build Guide

Designed by

kwiktech.

Rev 1

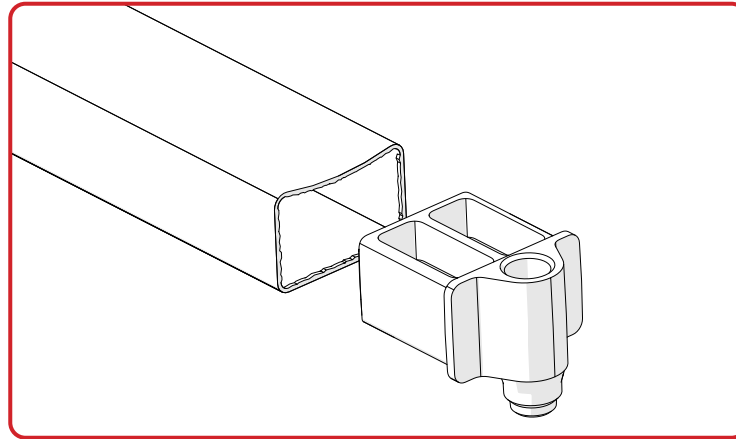
This Manual is the sole property of
Kwiktech Pty Ltd.
All rights are reserved.

This Manual is designed to be only
used with Kwiktech
produced products.

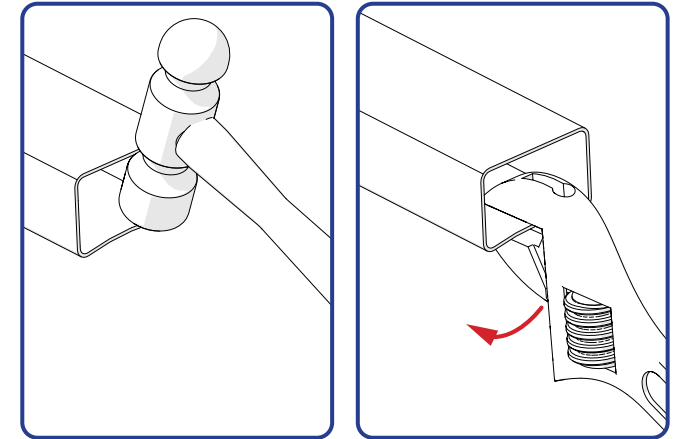
No part of this Manual or the
Kwiktech product design may be
copied or reproduced without the
consent of Kwiktech Pty Ltd.

Construction using Kwiktech
products may require planning
approval. Always contact your Local
Council for the most up-to-date
rules and regulations for your area.

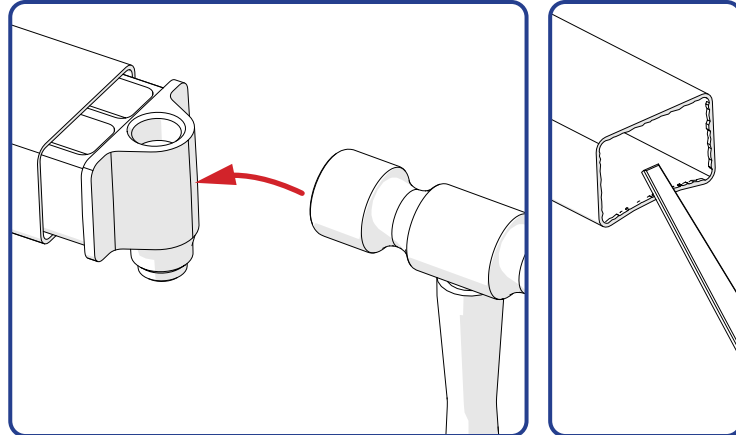
All dimensions are in millimeters
(mm)



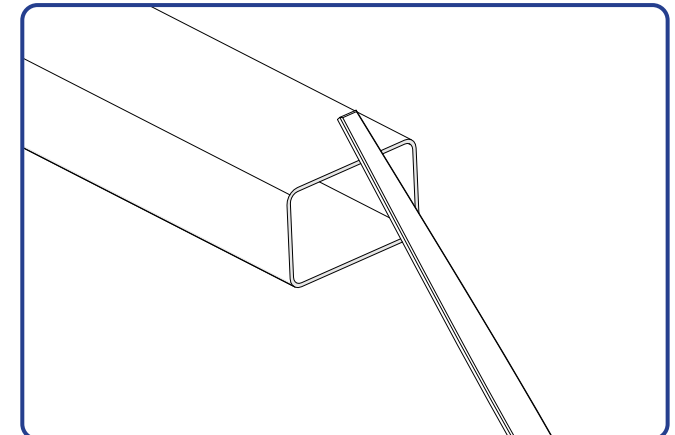
Issue: Deformed and burred 38X25 rail sections due to cutting process and can't insert Rail Inserts properly.



Solution: Hit deformed ends straight with small ball-peen hammer or fold out with adjustable spanner or wrench closed near tight and lever straight.



Solution: Light taps on the Rail mid front will help push through internal burr obstructions and mild deformed rail ends. Shaving off Rail Inserts external walls is normal. For 1.6mm thick walled RHS, a file will be needed to remove internal wall burrs.



Solution: If desired external burrs can be removed with metal file or mechanical methods such as a sanding disk.

Extra Strong Rail Not Fitting Flat

Handy Tips & Tricks

User Manual

Read in conjunction with
Kwiktech Build Guide

Designed by

kwiktech.

Rev 1

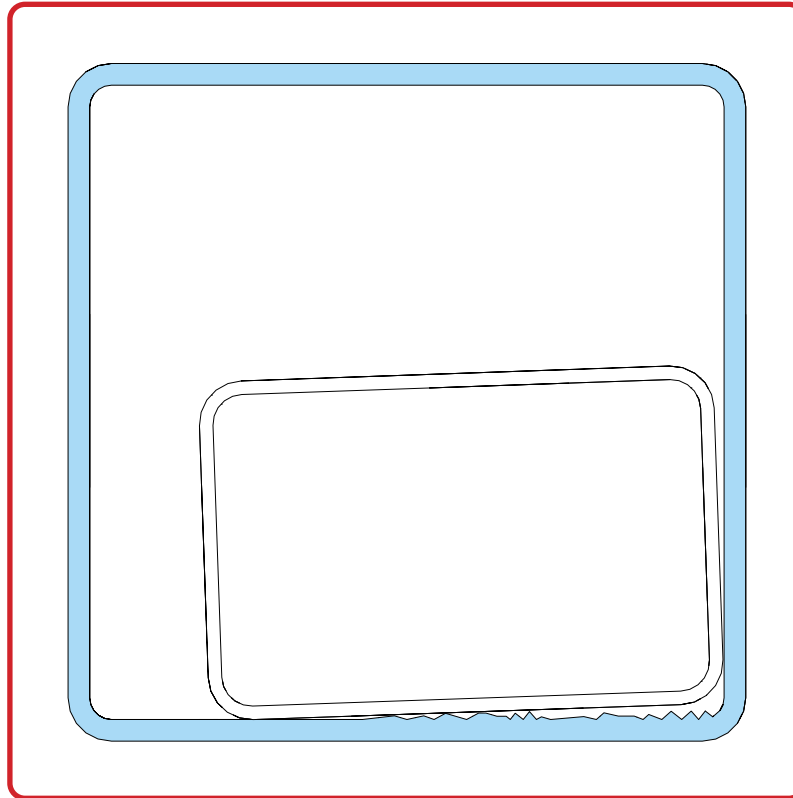
This Manual is the sole property of
Kwiktech Pty Ltd.
All rights are reserved.

This Manual is designed to be only
used with Kwiktech
produced products.

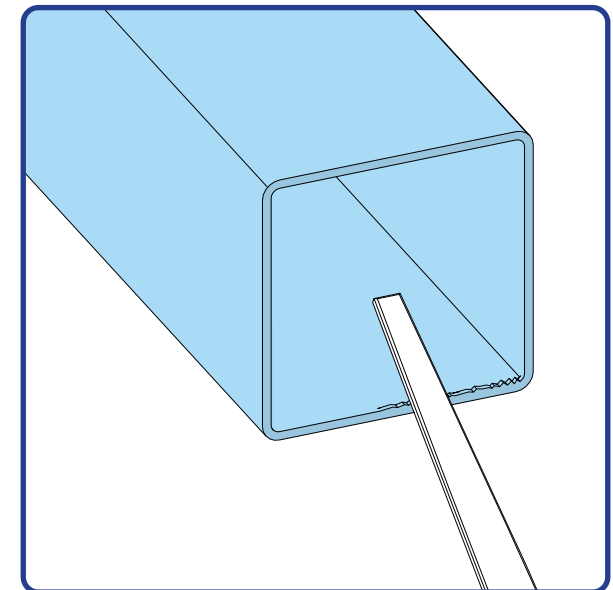
No part of this Manual or the
Kwiktech product design may be
copied or reproduced without the
consent of Kwiktech Pty Ltd.

Construction using Kwiktech
products may require planning
approval. Always contact your Local
Council for the most up-to-date
rules and regulations for your area.

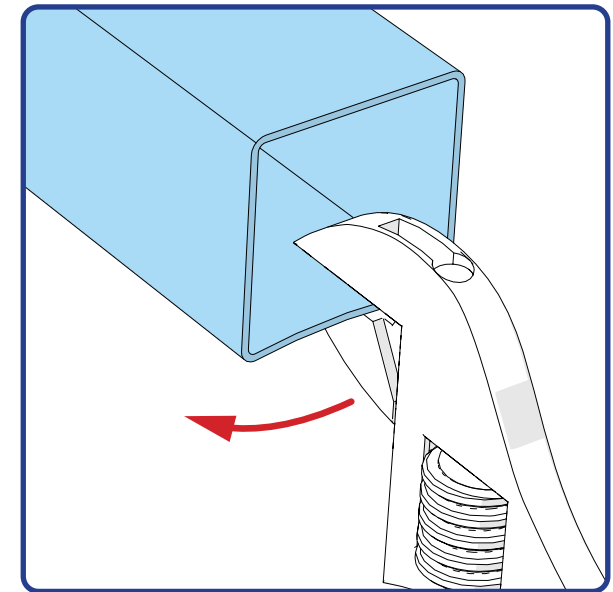
All dimensions are in millimeters
(mm)



Issue: 50x50 SHS ends have burrs or bends which stop the 38x25 RHS from sitting flat internally.



Solution: Remove burrs with a file or with mechanical methods.



Solution: Hit deformed ends straight with small ball-peen hammer or fold out with adjustable spanner or wrench closed near tight and lever straight.

Broken Self Drilling Screws

Handy Tips & Tricks

User Manual

Read in conjunction with
Kwiktech Build Guide

Designed by

kwiktech.

Rev 1

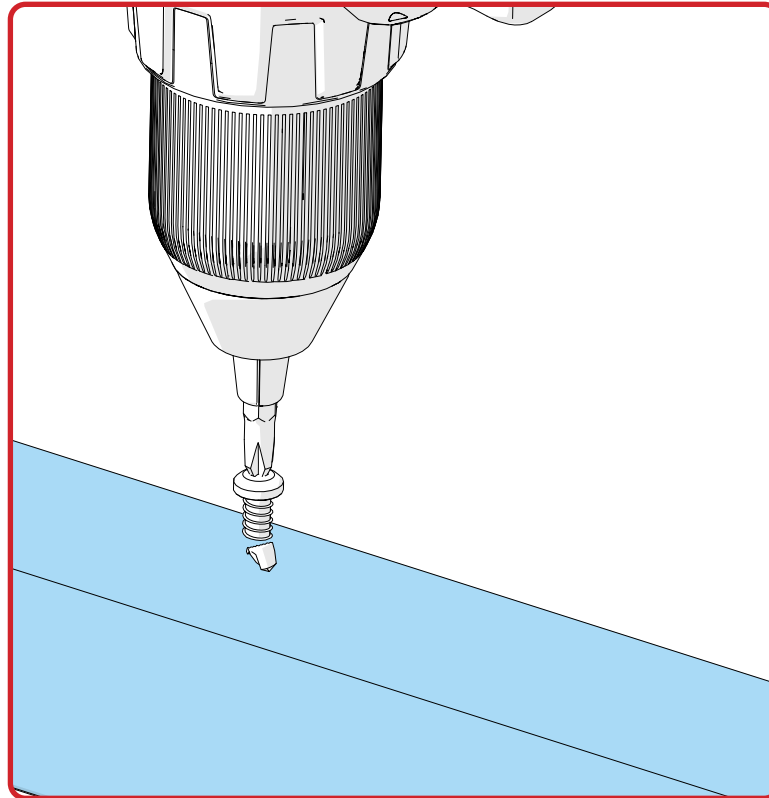
This Manual is the sole property of
Kwiktech Pty Ltd.
All rights are reserved.

This Manual is designed to be only
used with Kwiktech
produced products.

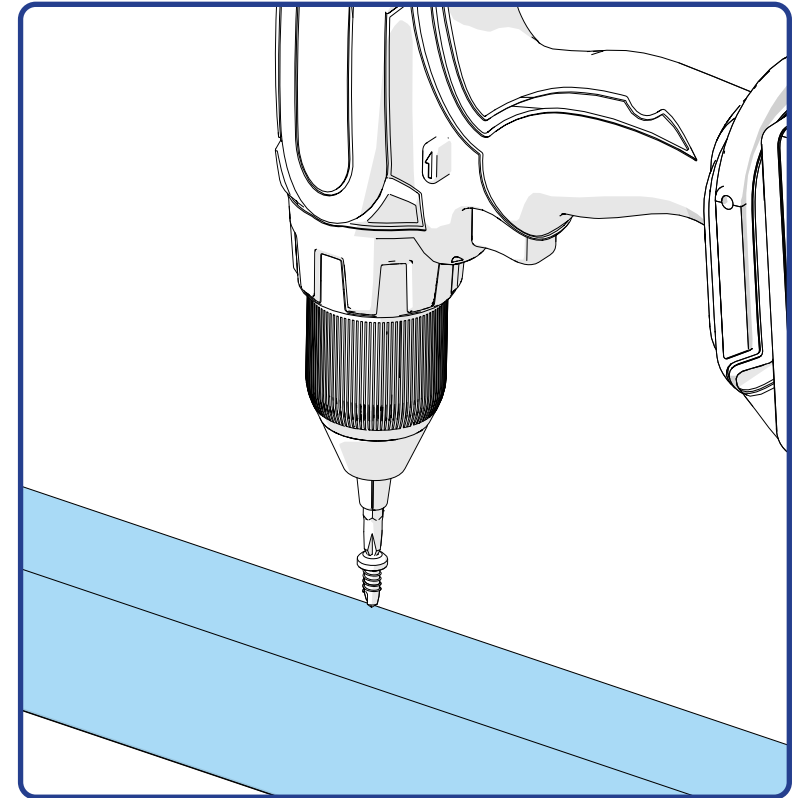
No part of this Manual or the
Kwiktech product design may be
copied or reproduced without the
consent of Kwiktech Pty Ltd.

Construction using Kwiktech
products may require planning
approval. Always contact your Local
Council for the most up-to-date
rules and regulations for your area.

All dimensions are in millimeters
(mm)



Issue: Self-Drilling screws breaking at their tips when drilling.



Solution: Apply less downwards force when drilling, drill rotation faster & let the screw do the work.

Self Drilling Screws not Engaging

Handy Tips & Tricks

User Manual

Read in conjunction with
Kwiktech Build Guide

Designed by



Rev 1

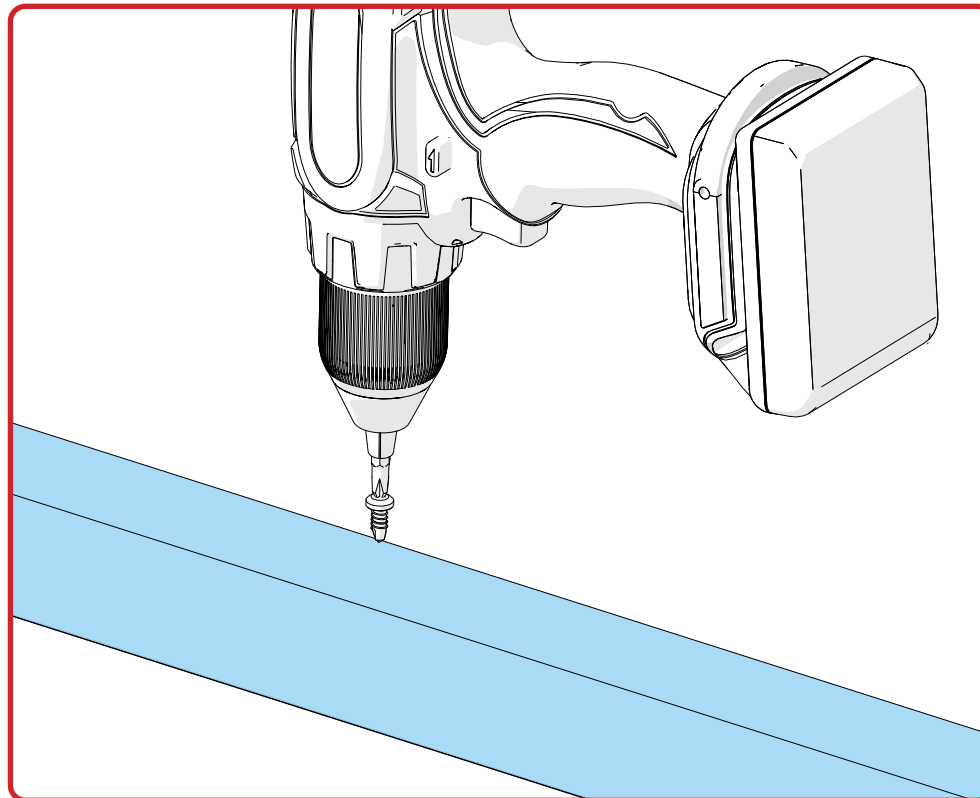
This Manual is the sole property of
Kwiktech Pty Ltd.
All rights are reserved.

This Manual is designed to be only
used with Kwiktech
produced products.

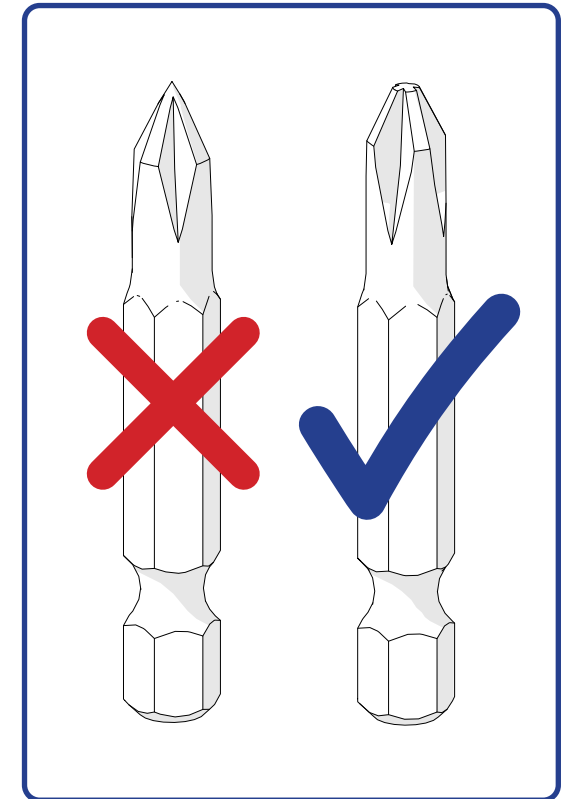
No part of this Manual or the
Kwiktech product design may be
copied or reproduced without the
consent of Kwiktech Pty Ltd.

Construction using Kwiktech
products may require planning
approval. Always contact your Local
Council for the most up-to-date
rules and regulations for your area.

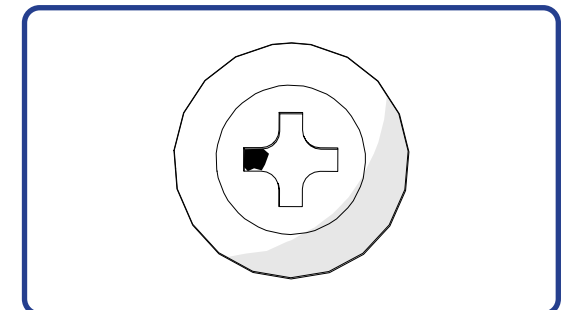
All dimensions are in millimeters
(mm)



Issue: Drive ends of Self-Drilling screws not engaging properly



Solution: Ensure that the correct drill bit is being used. The number 2 Phillips Head Bit may need replacing.



Solution: Check for debris or foreign objects stuck in the engaging section of the Self-Drilling screw.

Rail Insert Upside-down

Handy Tips & Tricks

User Manual

Read in conjunction with
Kwiktech Build Guide

Designed by

kwiktech.

Rev 1

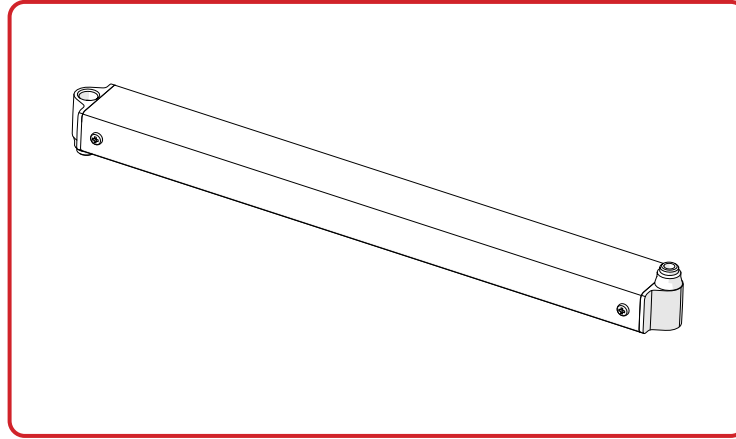
This Manual is the sole property of
Kwiktech Pty Ltd.
All rights are reserved.

This Manual is designed to be only
used with Kwiktech
produced products.

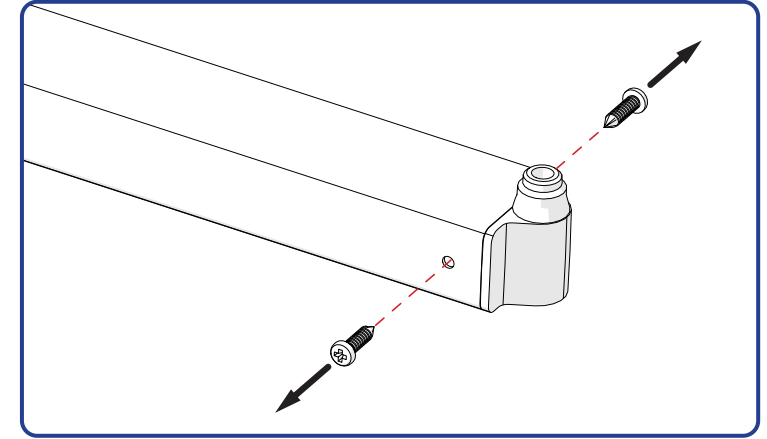
No part of this Manual or the
Kwiktech product design may be
copied or reproduced without the
consent of Kwiktech Pty Ltd.

Construction using Kwiktech
products may require planning
approval. Always contact your Local
Council for the most up-to-date
rules and regulations for your area.

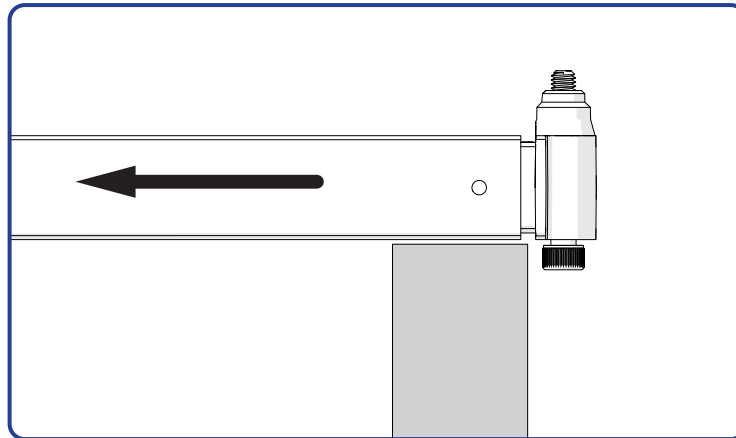
All dimensions are in millimeters
(mm)



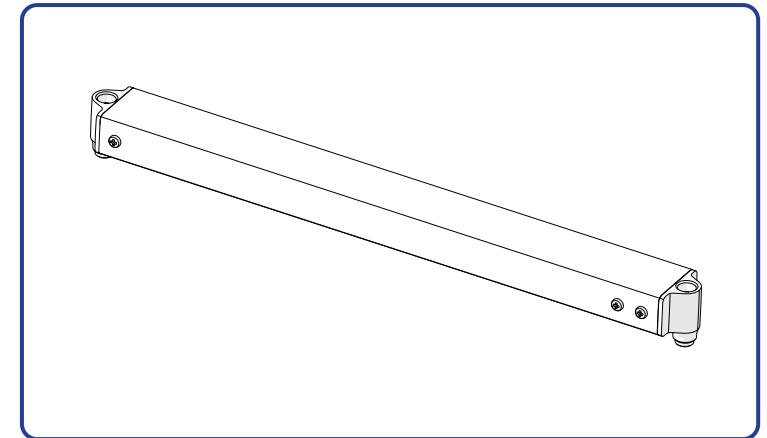
Issue: Rail Insert fixed upside-down.



Solution: Remove self-Drilling screws



Solution: Place Cap Head bolt into Rail Insert and ensure the head of the bolt is protruding out. Hit the head of the cap head screw against a solid flat object while holding the rail until the Rail Connector is free from the rail.



If using the same Rail Connector again fix extra screws each side of Rail Connector.

Displacement Plate Forgotten or Universal Upside-down

Handy Tips & Tricks

User Manual

Read in conjunction with
Kwiktech Build Guide

Designed by

kwiktech.

Rev 1

This Manual is the sole property of
Kwiktech Pty Ltd.
All rights are reserved.

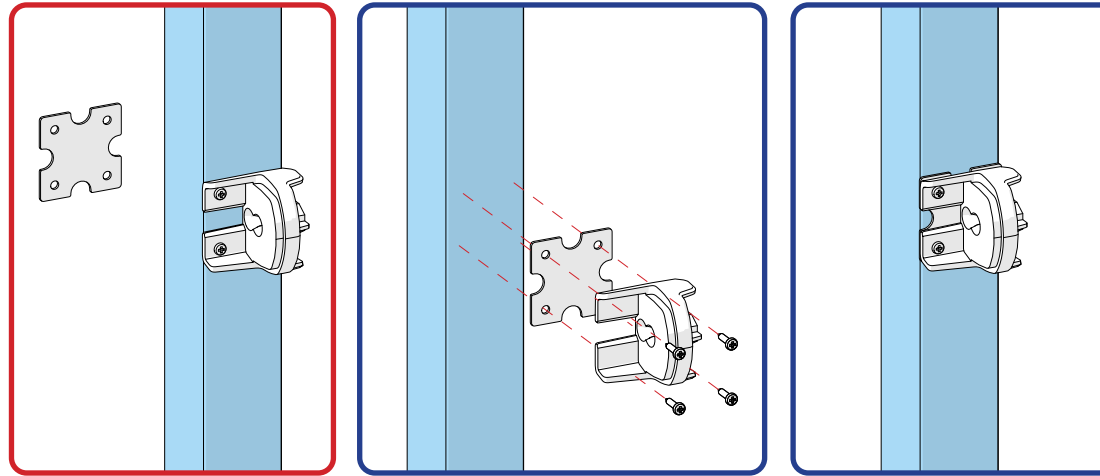
This Manual is designed to be only
used with Kwiktech
produced products.

No part of this Manual or the
Kwiktech product design may be
copied or reproduced without the
consent of Kwiktech Pty Ltd.

Construction using Kwiktech
products may require planning
approval. Always contact your Local
Council for the most up-to-date
rules and regulations for your area.

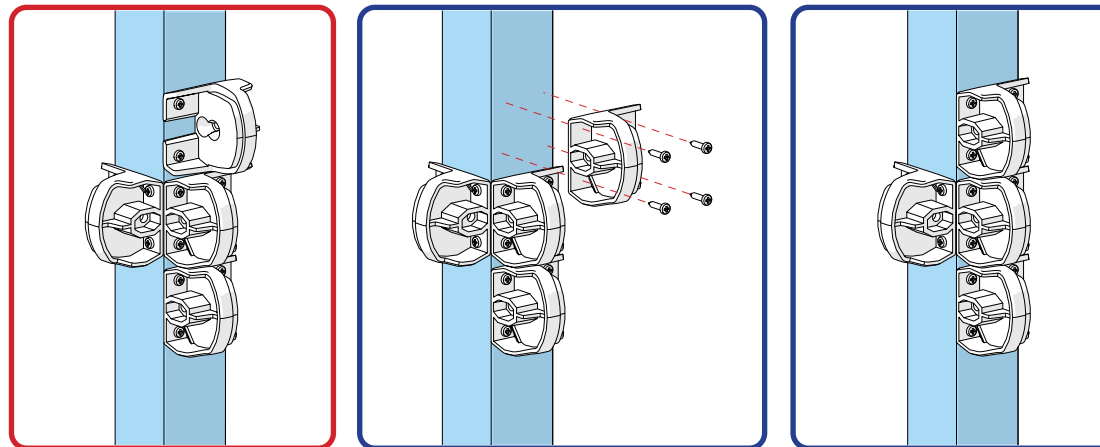
All dimensions are in millimeters
(mm)

www.kwiktech.com.au
© Kwiktech Pty Ltd 2020



Issue: Forgot to add a Displacement Plate

Solution: Unscrew, fit as required and use new screws.
Disregard previously used self-drilling screws. Mark datum lines
where displacement plates are required to eliminate missing
displacement plates.



Issue: The Universal installed incorrect orientation.

Solution: Unscrew, rotate as required and use new screws.
Disregard previously used self-drilling screws.

Universal & Rail Measurements

Handy Tips & Tricks

User Manual

Read in conjunction with
Kwiktech Build Guide

Designed by

kwiktech.

Rev 1

This Manual is the sole property of
Kwiktech Pty Ltd.
All rights are reserved.

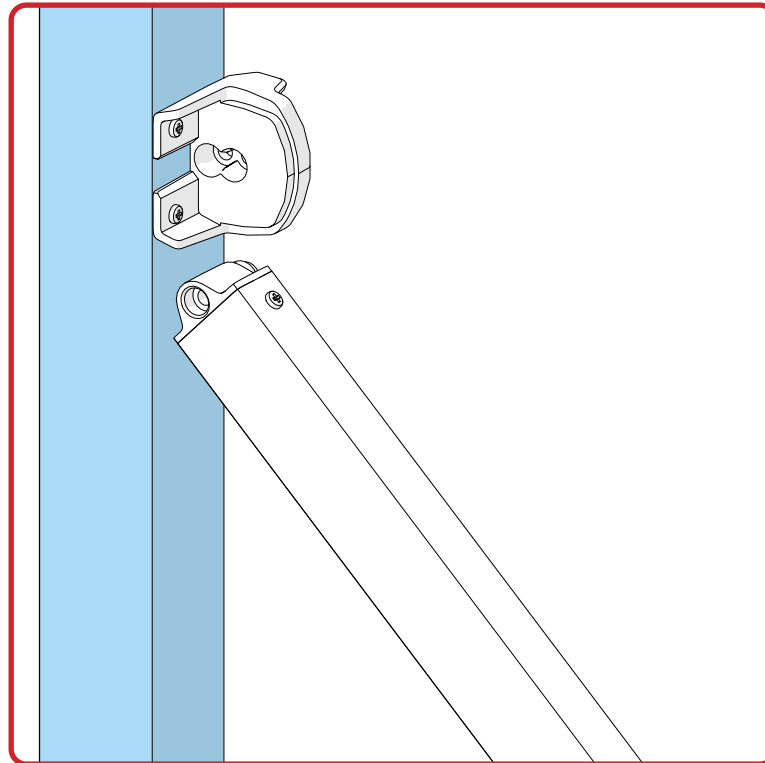
This Manual is designed to be only
used with Kwiktech
produced products.

No part of this Manual or the
Kwiktech product design may be
copied or reproduced without the
consent of Kwiktech Pty Ltd.

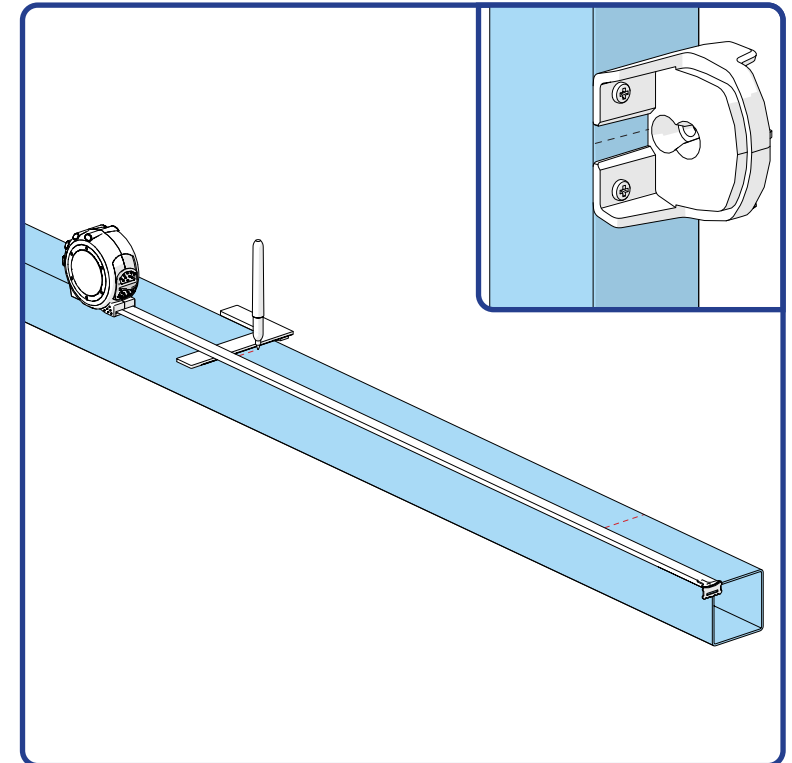
Construction using Kwiktech
products may require planning
approval. Always contact your Local
Council for the most up-to-date
rules and regulations for your area.

All dimensions are in millimeters
(mm)

www.kwiktech.com.au
© Kwiktech Pty Ltd 2020



Issue: Universal Connector in the wrong position or rail member is too long/short from DIY cutting.



Solution: Use a square to draw straight center lines. Measure twice before fixing Universal connectors or cutting rail members lengths.

Clashing Screws

Handy Tips & Tricks

User Manual

Read in conjunction with
Kwiktech Build Guide

Designed by

kwiktech.

Rev 1

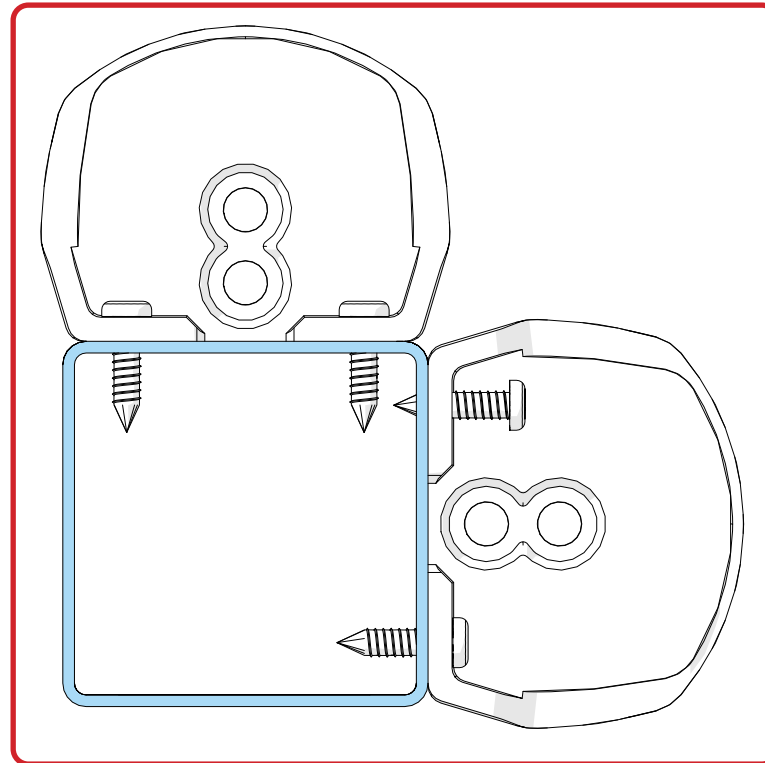
This Manual is the sole property of
Kwiktech Pty Ltd.
All rights are reserved.

This Manual is designed to be only
used with Kwiktech
produced products.

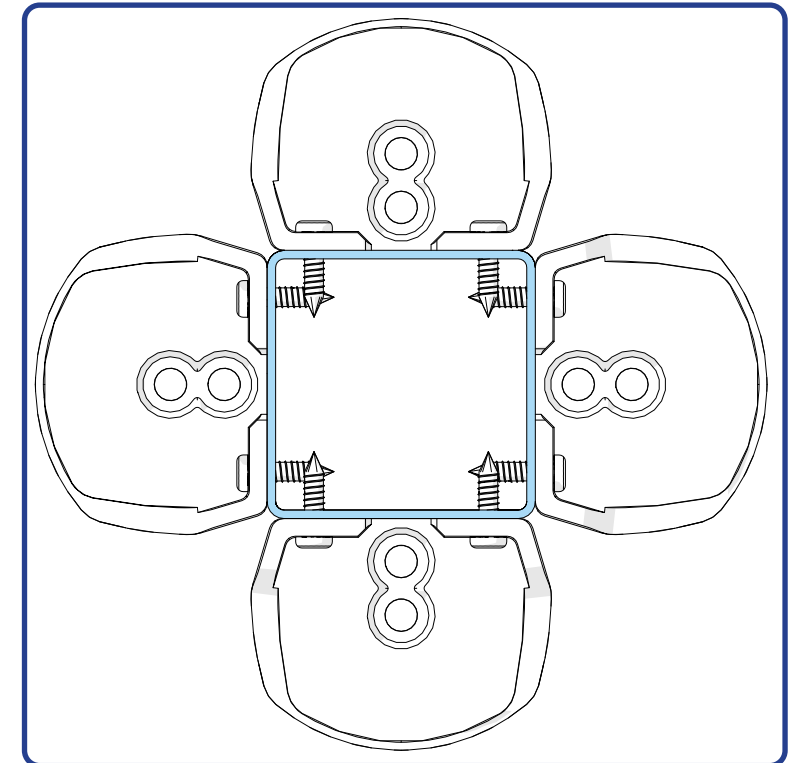
No part of this Manual or the
Kwiktech product design may be
copied or reproduced without the
consent of Kwiktech Pty Ltd.

Construction using Kwiktech
products may require planning
approval. Always contact your Local
Council for the most up-to-date
rules and regulations for your area.

All dimensions are in millimeters
(mm)



Issue: Screws appear to be clashing internally due to Universal Connectors fitting adjacent and at the same centre measurement.



Solution: This is normal as per Kwiktech designs. Ensure self-drilling screws are pushed firmly and true in these situations and the self-drilling screw will naturally deflect past the previously fixed screw it clashes with.

Cap Head Screw Jammed

Handy Tips & Tricks

User Manual

Read in conjunction with
Kwiktech Build Guide

Designed by



Rev 1

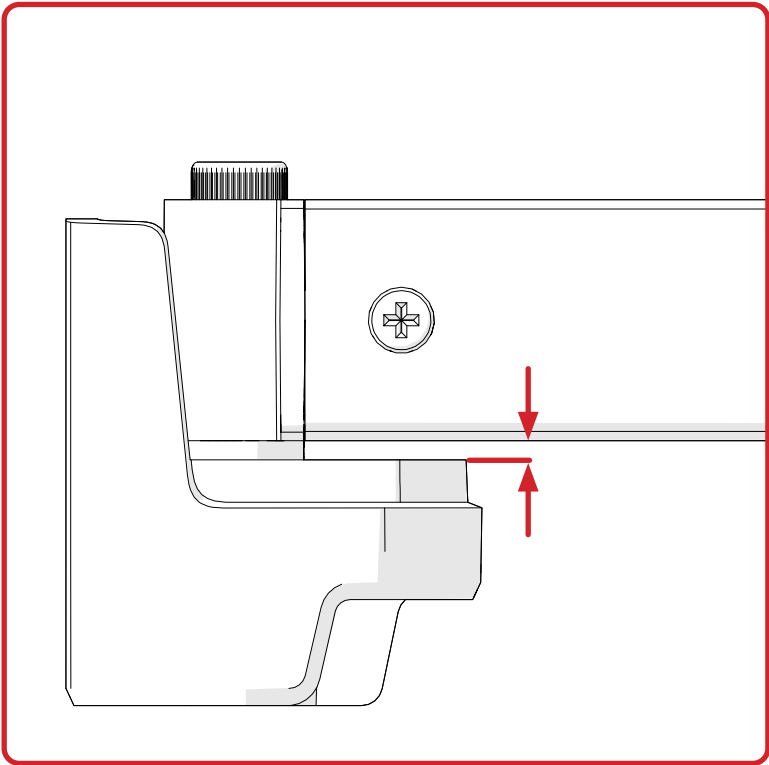
This Manual is the sole property of
Kwiktech Pty Ltd.
All rights are reserved.

This Manual is designed to be only
used with Kwiktech
produced products.

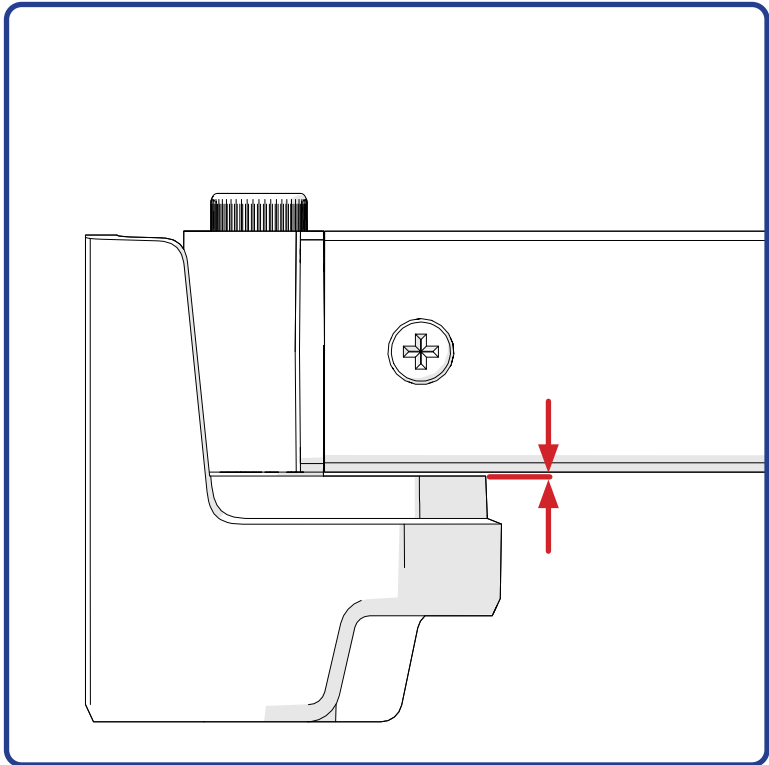
No part of this Manual or the
Kwiktech product design may be
copied or reproduced without the
consent of Kwiktech Pty Ltd.

Construction using Kwiktech
products may require planning
approval. Always contact your Local
Council for the most up-to-date
rules and regulations for your area.

All dimensions are in millimeters
(mm)



Issue: Cap Head Screw jammed within nut of
Universal/Post Connector.



Solution: Ensure Rail Inserts are firmly placed into
Universal/Post Connectors Before fixing with hex bit
using an impact driver.

Cladding Screw Alignment

Handy Tips & Tricks

User Manual

Read in conjunction with
Kwiktech Build Guide

Designed by



Rev 1

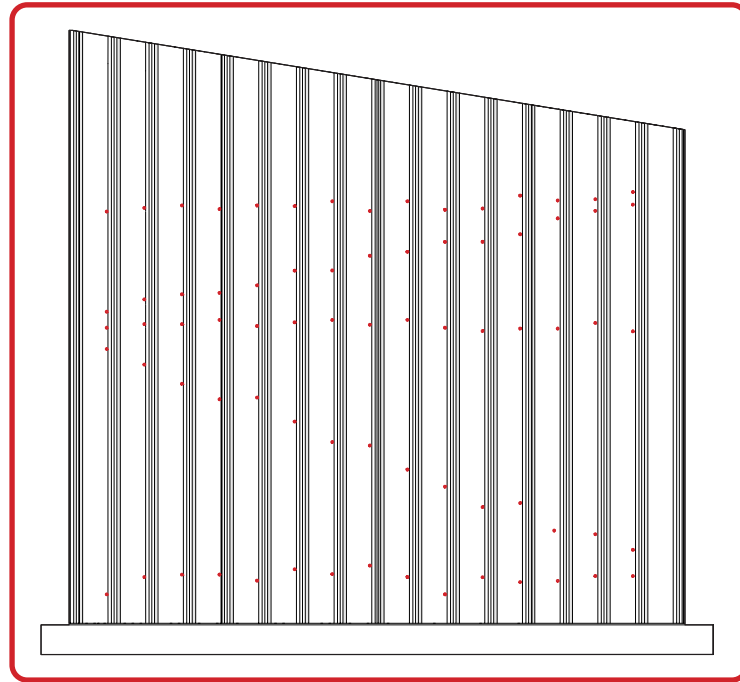
This Manual is the sole property of
Kwiktech Pty Ltd.
All rights are reserved.

This Manual is designed to be only
used with Kwiktech
produced products.

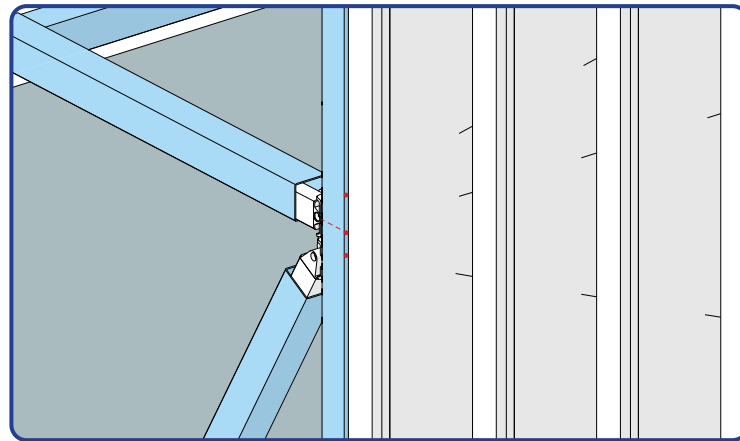
No part of this Manual or the
Kwiktech product design may be
copied or reproduced without the
consent of Kwiktech Pty Ltd.

Construction using Kwiktech
products may require planning
approval. Always contact your Local
Council for the most up-to-date
rules and regulations for your area.

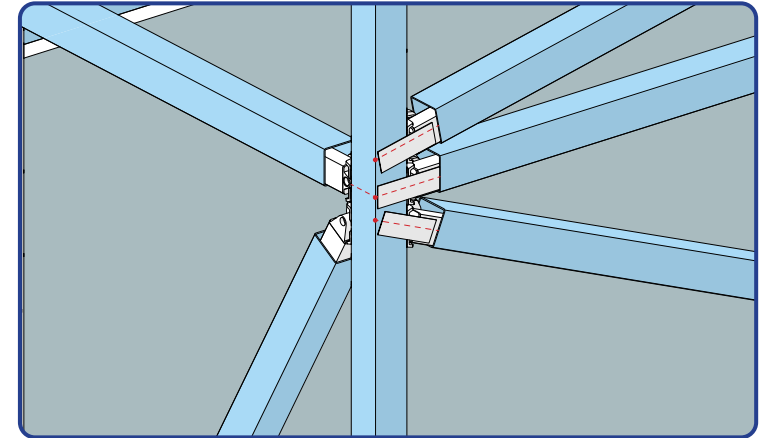
All dimensions are in millimeters
(mm)



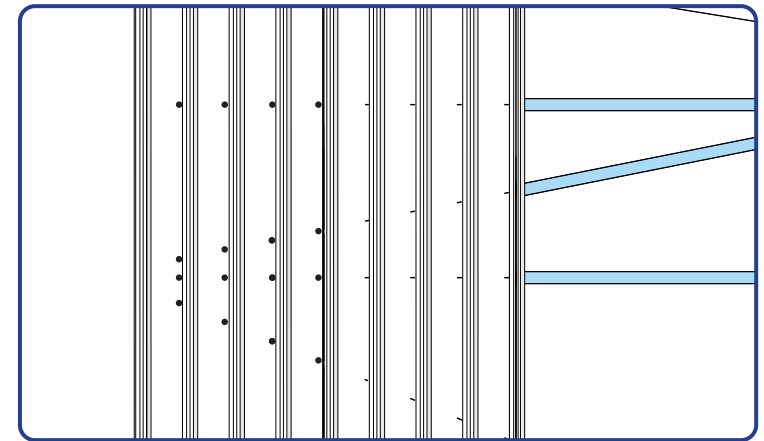
Issue: Cladding screws missing steel framework



Solution: Hold cladding in place and use a straight edge to transfer centrelines onto the cladding. Mark a line before each rib for screw locations.



Solution: Mark the centerline of each diagonal & horizontal member on the corner of each vertical post member.



Solution: Repeat process with each section of cladding until finished.