

# Kwiktech 2.45m Shed

2.45m x 3m x 3m Shed  
Region A

## User Manual

Read in conjunction with  
Kwiktech Build Guide and  
Kwiktech Tips & Tricks

Designed by

**kwiktech.**

Engineered by

**sbec.** SCHMIDT  
BENTLEY  
ENGINEERING  
CONSULTING

Rating: Region A

Rev 1.5

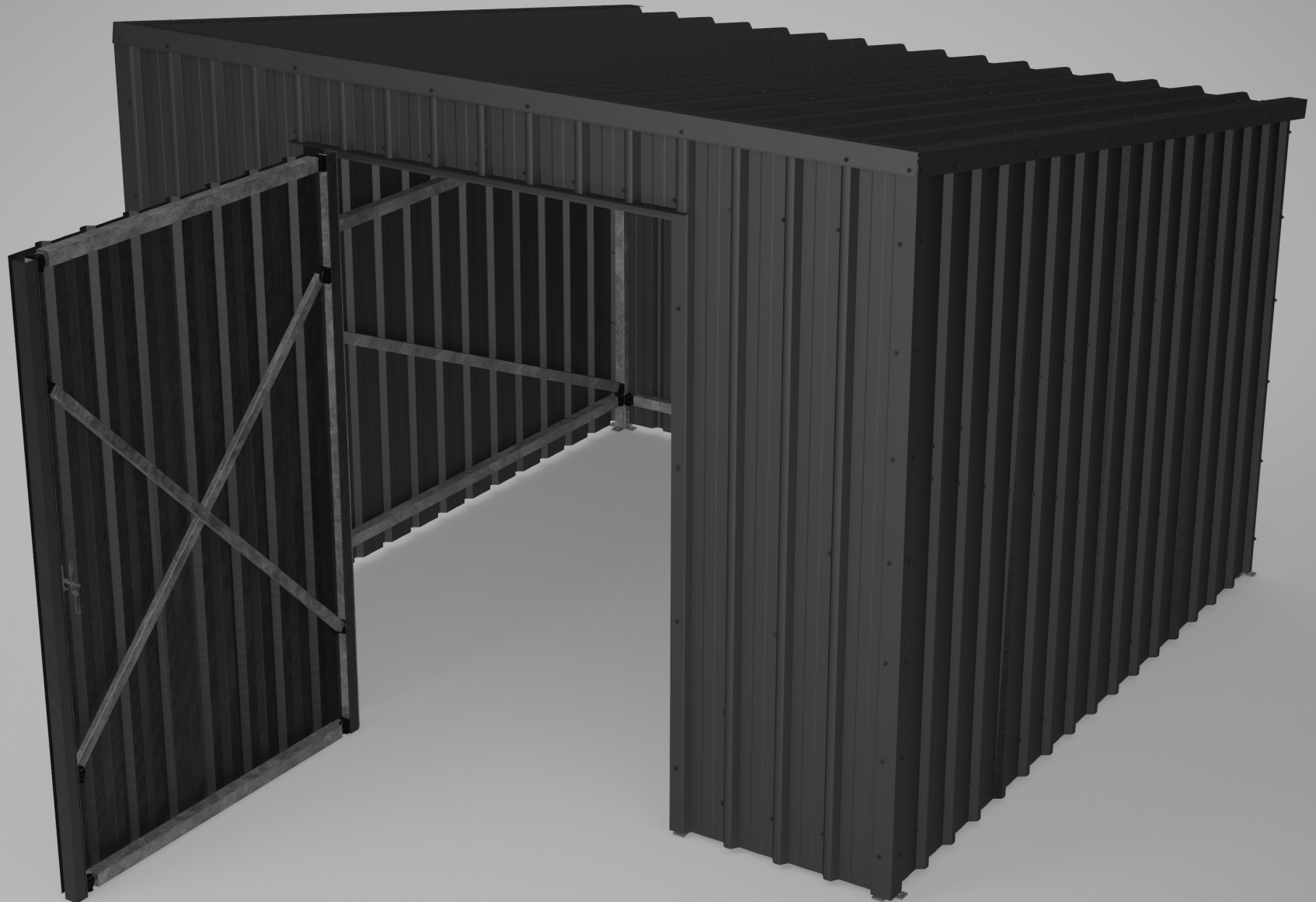
This Manual is the sole property of  
Kwiktech Pty Ltd.  
All rights are reserved.

This Manual is designed to be only  
used with Kwiktech  
produced products.

No part of this Manual or the  
Kwiktech product design may be  
copied or reproduced without the  
consent of Kwiktech Pty Ltd.

Construction using Kwiktech  
products may require planning  
approval. Always contact your Local  
Council for the most up-to-date  
rules and regulations for your area.

All dimensions are in millimeters  
(mm)



# Kwiktech 2.45m Shed

2.45m x 3m x 3m Shed  
Region A

## User Manual

Read in conjunction with  
Kwiktech Build Guide and  
Kwiktech Tips & Tricks

Designed by

**kwiktech.**

Engineered by

**sbec.** SCHMIDT  
BENTLEY  
ENGINEERING  
CONSULTING

Rating: Region A

Rev 1.5

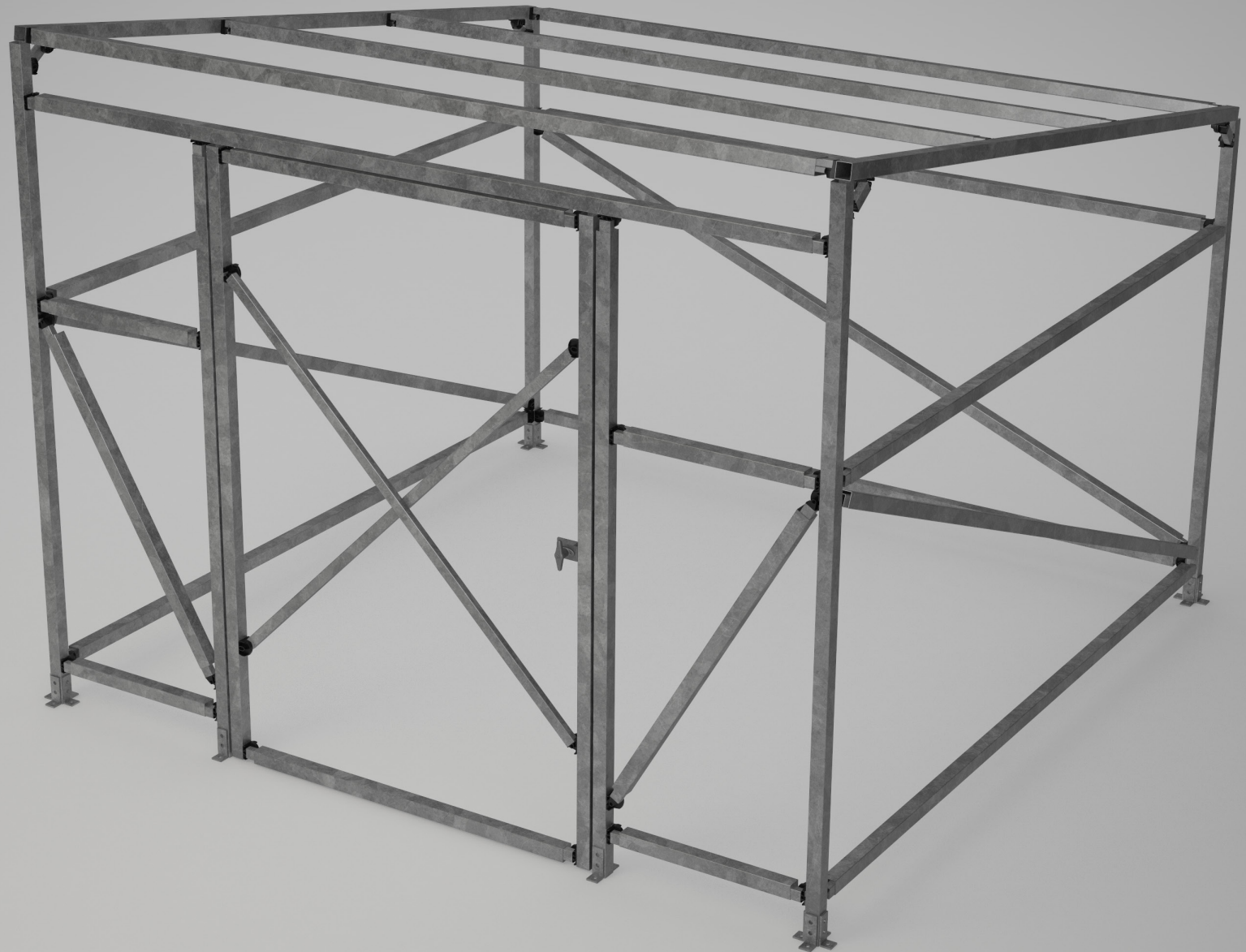
This Manual is the sole property of  
Kwiktech Pty Ltd.  
All rights are reserved.

This Manual is designed to be only  
used with Kwiktech  
produced products.

No part of this Manual or the  
Kwiktech product design may be  
copied or reproduced without the  
consent of Kwiktech Pty Ltd.

Construction using Kwiktech  
products may require planning  
approval. Always contact your Local  
Council for the most up-to-date  
rules and regulations for your area.

All dimensions are in millimeters  
(mm)



# General Arrangement

2.45m x 3m x 3m Shed  
Region A

*User Manual*

Read in conjunction with  
Kwiktech Build Guide and  
Kwiktech Tips & Tricks

Designed by

**kwiktech.**

Engineered by

**sbec.** SCHMIDT  
BENTLEY  
ENGINEERING  
CONSULTING

Rating: Region A

Rev 1.5

This Manual is the sole property of  
Kwiktech Pty Ltd.  
All rights are reserved.

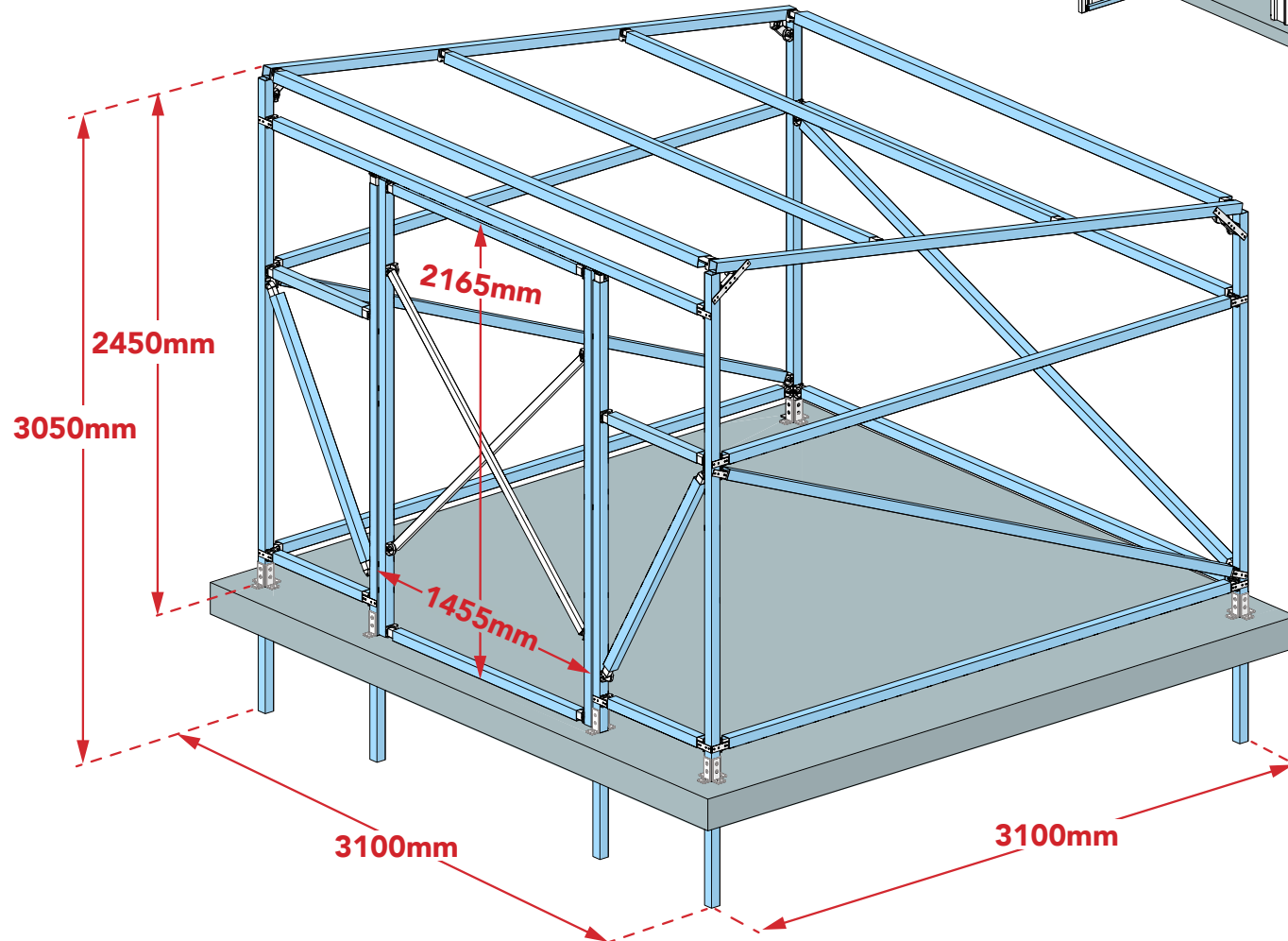
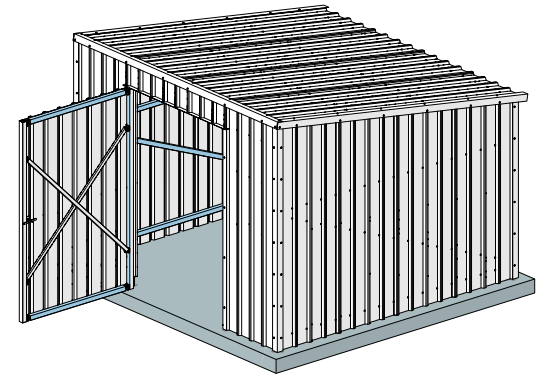
This Manual is designed to be only  
used with Kwiktech  
produced products.

No part of this Manual or the  
Kwiktech product design may be  
copied or reproduced without the  
consent of Kwiktech Pty Ltd.

Construction using Kwiktech  
products may require planning  
approval. Always contact your Local  
Council for the most up-to-date  
rules and regulations for your area.

All dimensions are in millimeters  
(mm)

[www.kwiktech.com.au](http://www.kwiktech.com.au)  
© Kwiktech Pty Ltd 2021



# Materials List

2.45m x 3m x 3m Shed  
Region A

User Manual

Read in conjunction with  
Kwiktech Build Guide and  
Kwiktech Tips & Tricks

Designed by



Engineered by



Rating: Region A

Rev 1.5

This Manual is the sole property of  
Kwiktech Pty Ltd.  
All rights are reserved.

This Manual is designed to be only  
used with Kwiktech  
produced products.

No part of this Manual or the  
Kwiktech product design may be  
copied or reproduced without the  
consent of Kwiktech Pty Ltd.

Construction using Kwiktech  
products may require planning  
approval. Always contact your Local  
Council for the most up-to-date  
rules and regulations for your area.

All dimensions are in millimeters  
(mm)

## KWIKTECH KITS

ITEM	QUANTITY	RESELLER PRICE
Kwiktech DIY Rated Shed Kit (NOTE: Some items will not be used)	1	
Kwiktech DIY Rated Square Kit (Optional for temporary corner bracing)	1	

## NON KWIKTECH ITEMS

ITEM	ITEM ID #	ASSEMBLY ID #	LENGTH	COLOUR	QUANTITY	RESELLER PRICE
RHS 75x50x2.0mm	1	A	2900	Galv	2	
SHS 50x50x1.5mm	2	B	3147	Galv	3	
SHS 50x50x1.5mm	3 4		3084	Galv	2	
SHS 50x50x1.5mm	5 6		3000*	Galv	2	
SHS 50x50x1.5mm	7	C	2900	Galv	3	
SHS 50x50x1.5mm (Displacement plates both ends)	8	D	2896	Galv	6	
SHS 50x50x1.5mm	9 10	E	2733*	Galv	2	
SHS 50x50x1.5mm	11 12		2510*	Galv	2	
SHS 50x50x1.5mm	13		2163	Galv	2	
SHS 50x50x1.5mm	14	H	1255	Galv	2	
SHS 50x50x1.5mm	15	F	1241	Galv	2	
SHS 50x50x1.5mm	16	G	613	Galv	4	
RHS 38x25x1.2mm	17	B	3217	Galv	3	
RHS 38x25x1.2mm	18	A C	2970	Galv	5	
RHS 38x25x1.2mm (Displacement plates both ends)	19	D	2966	Galv	6	
RHS 38x25x1.2mm	20		2023	Galv	2	
RHS 38x25x1.2mm	21		1852	Galv	2	
RHS 38x25x1.2mm	22	H	1325	Galv	2	
RHS 38x25x1.2mm	23	F	1311	Galv	2	
RHS 38x25x1.2mm	24	E	1000	Galv	2	
RHS 38x25x1.2mm	25	G	683	Galv	4	
RHS 38x25x1.2mm (Used for optional temporary corner braces)	26		442	Galv	4	
RHS 38x25x1.2mm	27		80	Galv	2	
RHS 38x25x1.2mm	28		68	Galv	3	

\*NOTE: If fixing the shed on existing concrete, reduce these member lengths by 600mm.

# Materials List

2.45m x 3m x 3m Shed  
Region A

User Manual

Read in conjunction with  
Kwiktech Build Guide and  
Kwiktech Tips & Tricks

Designed by



Engineered by



Rating: Region A

Rev 1.5

This Manual is the sole property of  
Kwiktech Pty Ltd.  
All rights are reserved.

This Manual is designed to be only  
used with Kwiktech  
produced products.

No part of this Manual or the  
Kwiktech product design may be  
copied or reproduced without the  
consent of Kwiktech Pty Ltd.

Construction using Kwiktech  
products may require planning  
approval. Always contact your Local  
Council for the most up-to-date  
rules and regulations for your area.

All dimensions are in millimeters  
(mm)

## NON KWIKTECH ITEMS

ITEM	ID #	LENGTH	COLOUR	QUANTITY	RESELLER PRICE
TrimDek Cladding 762x29x0.48mm - Roof	RF 1	3275	Customers Choice	4	
TrimDek Cladding 762x29x0.48mm - Front Outers	CL 1	2450		2	
TrimDek Cladding 762x29x0.48mm - Side 1	CL 2	2450		2	
TrimDek Cladding 762x29x0.48mm - Side 2	CL 3	2325		2	
TrimDek Cladding 762x29x0.48mm - Side 3	CL 4	2200		2	
TrimDek Cladding 762x29x0.48mm - Side 4	CL 5	2075		2	
TrimDek Cladding 762x29x0.48mm - Back	CL 6	1950		2	
TrimDek Cladding 762x29x0.48mm - Door	CL 7	2165		2	
TrimDek Cladding 762x29x0.48mm - Front above Door	CL 8	280		2	
Roof Sides Flashing	FL 1	3310		2	
Peak Flashing	FL 2	3170	1		
Front Corners Flashing	FL 3	2450	2		
Back Flashing	FL 4	3100	1		
Back Corners Flashing	FL 5	1950	2		
Door Frame Housing Flashing	FL 6	2172	2		
Door Side Flashing	FL 7	2165	2		
Above Door Flashing	FL 8	1590	1		
Door Lock Flashing	FL 9	40	Galv	1	
Internal Door Frame Flashing	FL 10	1518	Customers Choice	1	
100x100x2.5 Zinc Plated Butt Hinge		100	Galv	3	
VATER Tee Handle Kit & Inside Latch		-	-	1	
Tek Screw 16mmx10g Coloured		16	Customers Choice	400	
Tek Screw 45mmx12g Coloured - Neo		45		200	
M12x75 4.6 Hex head Galv Bolt & Nut	Only required if fixing to existing concrete.	75	Galv	10	
P1326H Ninety Degree Fitting HG		105	Galv	20	
Dynabolt DP12100 M10 12x100 Galv		100	Galv	20	
38x25 Black Plastic Post Cap		38	Black	2	
				Sub-Total	
				GST	
				Shipping	
				Total Cost	

# Materials List

2.45m x 3m x 3m Shed  
Region A

User Manual

Read in conjunction with  
Kwiktech Build Guide and  
Kwiktech Tips & Tricks

Designed by

**kwiktech.**

Engineered by

**sbec.** SCHMIDT  
BENTLEY  
ENGINEERING  
CONSULTING

Rating: Region A

Rev 1.5

This Manual is the sole property of  
Kwiktech Pty Ltd.  
All rights are reserved.

This Manual is designed to be only  
used with Kwiktech  
produced products.

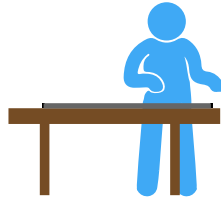
No part of this Manual or the  
Kwiktech product design may be  
copied or reproduced without the  
consent of Kwiktech Pty Ltd.

Construction using Kwiktech  
products may require planning  
approval. Always contact your Local  
Council for the most up-to-date  
rules and regulations for your area.

All dimensions are in millimeters  
(mm)

www.kwiktech.com.au  
© Kwiktech Pty Ltd 2021

## Build Preparation



Rail Inserts



Extra Strong Rails



Universal  
Connectors

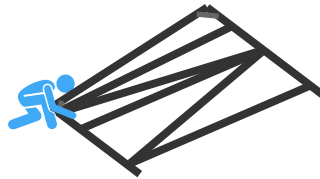


Door Stopper

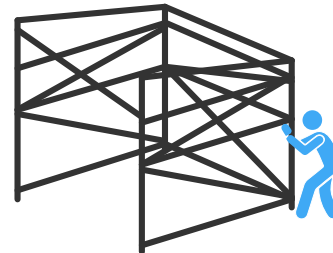


Footing  
Preparation

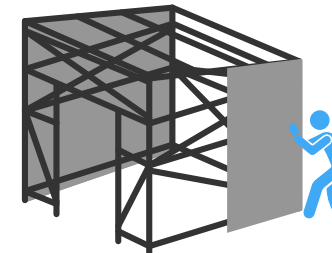
## Assembly Sequence



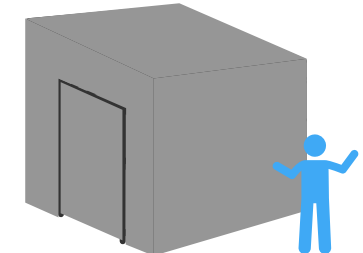
Fabricate



Erect & Fabricate



Cladding & Flashings



Finished Product

### KWIKTECH FIXINGS & ACCESSORIES

ITEM	QUANTITY	ITEM	QUANTITY
Post Connector (KT-P-001)	0	10G x 16 Self Drilling Wafer Head Screw	650
Universal Connector (KT-P-002)	68	M6 x 40 Socket Head Cap Screw - Zinc	68
Rail Inserts (KT-P-003)	62	M6 x 20 Hex Head Bolt - Galv	0
60° Rail Inserts (KT-P-004)	6	M6 Nut - Galv	0
Star Picket Guide (KT-P-005)	0	Kwiktech 2mm Displacement Plate	12
Post Cap (KT-P-006)	0	Right Angle Bracket - Zinc	3
Tension Strapping 0.8 x 30 x 85mm	12	Assembly Wedge - Rubber	1
Tension Strapping 0.8 x 30 x 95mm	12	10G x 16 Self Drilling Small Head Flat Top Screw	130
Tension Strapping 0.8 x 30 x 135mm	4		
Tension Strapping 0.8 x 30 x 250mm	4		

### HOLLOW METAL TOTAL

ITEM	TOTAL LENGTH
Duragal 75x50x2.0mm	6m
Duragal 50x50x1.5mm	70m
Duragal 38x25x1.2mm	63m

FOR  
INFORMATION  
ONLY

# Member Locations

2.45m x 3m x 3m Shed  
Region A

User Manual

Read in conjunction with  
Kwiktech Build Guide and  
Kwiktech Tips & Tricks

Designed by

**kwiktech.**

Engineered by

**sbec.** SCHMIDT  
BENTLEY  
ENGINEERING  
CONSULTING

Rating: Region A

Rev 1.5

This Manual is the sole property of  
Kwiktech Pty Ltd.  
All rights are reserved.

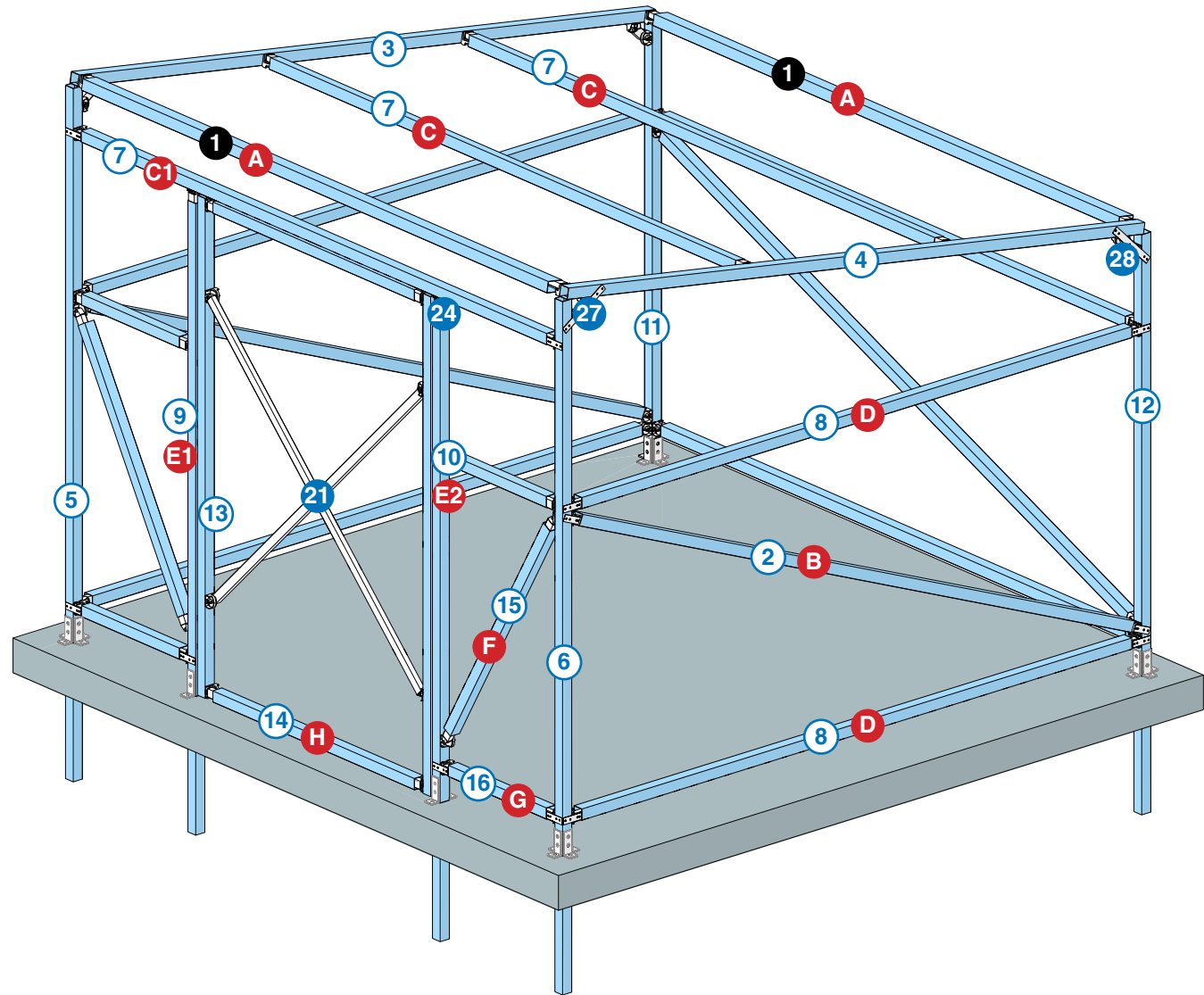
This Manual is designed to be only  
used with Kwiktech  
produced products.

No part of this Manual or the  
Kwiktech product design may be  
copied or reproduced without the  
consent of Kwiktech Pty Ltd.

Construction using Kwiktech  
products may require planning  
approval. Always contact your Local  
Council for the most up-to-date  
rules and regulations for your area.

All dimensions are in millimeters  
(mm)

[www.kwiktech.com.au](http://www.kwiktech.com.au)  
© Kwiktech Pty Ltd 2021



**NOTE:** Some member ID's hidden for clarity.