

Square Encapsulations

Square Encapsulations

User Manual

Read in conjunction with
Kwiktech Build Guide and
Kwiktech Tips & Tricks

Designed by

kwiktech.

Engineered by

sbec. SCHMIDT
BENTLEY
ENGINEERING
CONSULTING

Rating: Region A, TC2.0

Rev 0

This Manual is the sole property of
Kwiktech Pty Ltd.
All rights are reserved.

This Manual is designed to be only
used with Kwiktech
produced products.

No part of this Manual or the
Kwiktech product design may be
copied or reproduced without the
consent of Kwiktech Pty Ltd.

Construction using Kwiktech
products may require planning
approval. Always contact your Local
Council for the most up-to-date
rules and regulations for your area.

All dimensions are in millimeters
(mm)



General Arrangement 2.2m Square Square Encapsulations

User Manual

Read in conjunction with
Kwiktech Build Guide and
Kwiktech Tips & Tricks

Designed by

kwiktech.

Engineered by

sbec. SCHMIDT
BENTLEY
ENGINEERING
CONSULTING

Rating: Region A, TC2.0

Rev 0

This Manual is the sole property of
Kwiktech Pty Ltd.
All rights are reserved.

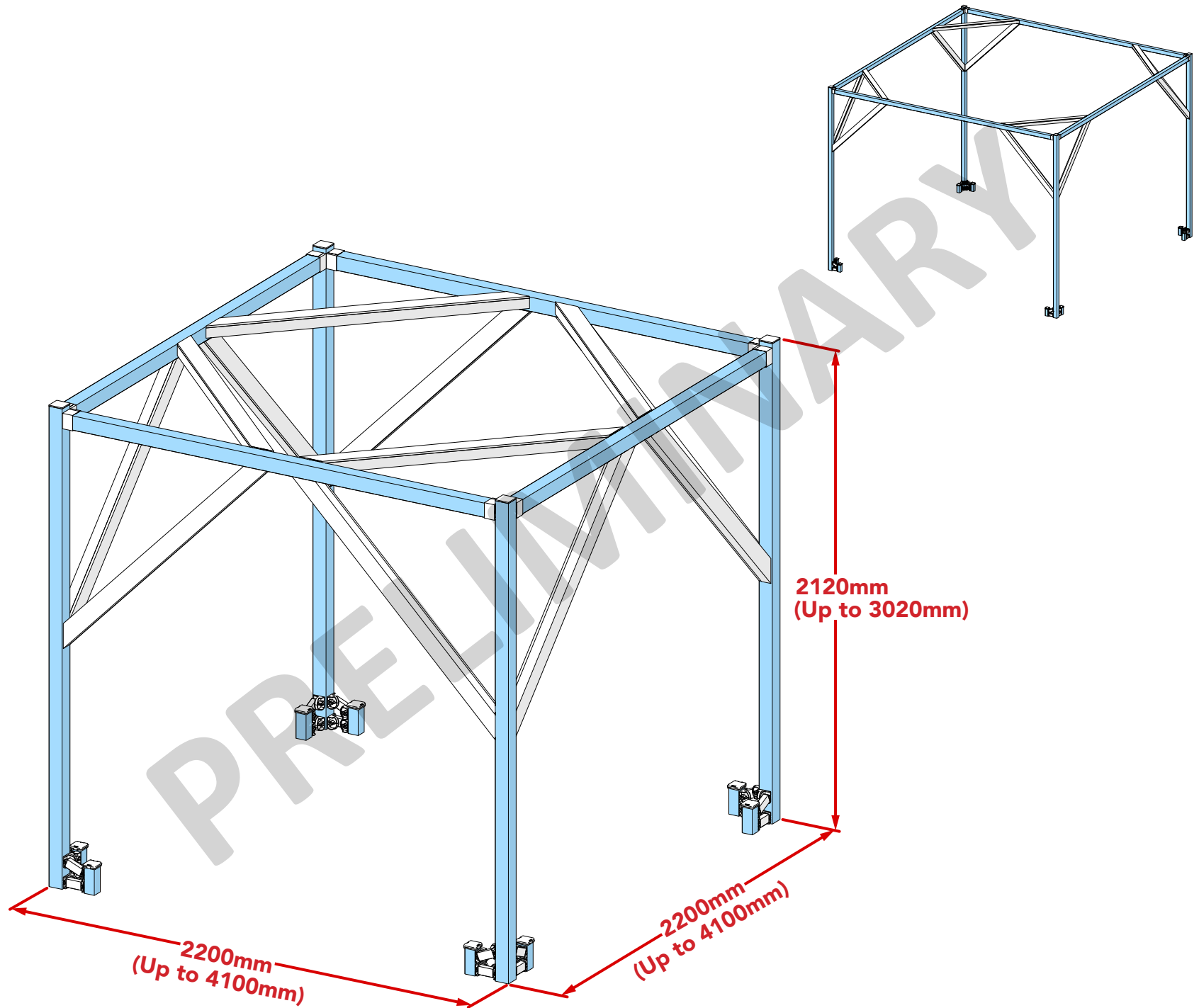
This Manual is designed to be only
used with Kwiktech
produced products.

No part of this Manual or the
Kwiktech product design may be
copied or reproduced without the
consent of Kwiktech Pty Ltd.

Construction using Kwiktech
products may require planning
approval. Always contact your Local
Council for the most up-to-date
rules and regulations for your area.

All dimensions are in millimeters
(mm)

www.kwiktech.com.au
© Kwiktech Pty Ltd 2022



General Arrangement

4.1 m Square Square Encapsulations

User Manual

Read in conjunction with Kwiktech Build Guide and Kwiktech Tips & Tricks

Designed by

kwiktech.

Engineered by

sbec. SCHMIDT BENTLEY ENGINEERING CONSULTING

Rating: Region A, TC2.0

Rev 0

This Manual is the sole property of Kwiktech Pty Ltd. All rights are reserved.

This Manual is designed to be only used with Kwiktech produced products.

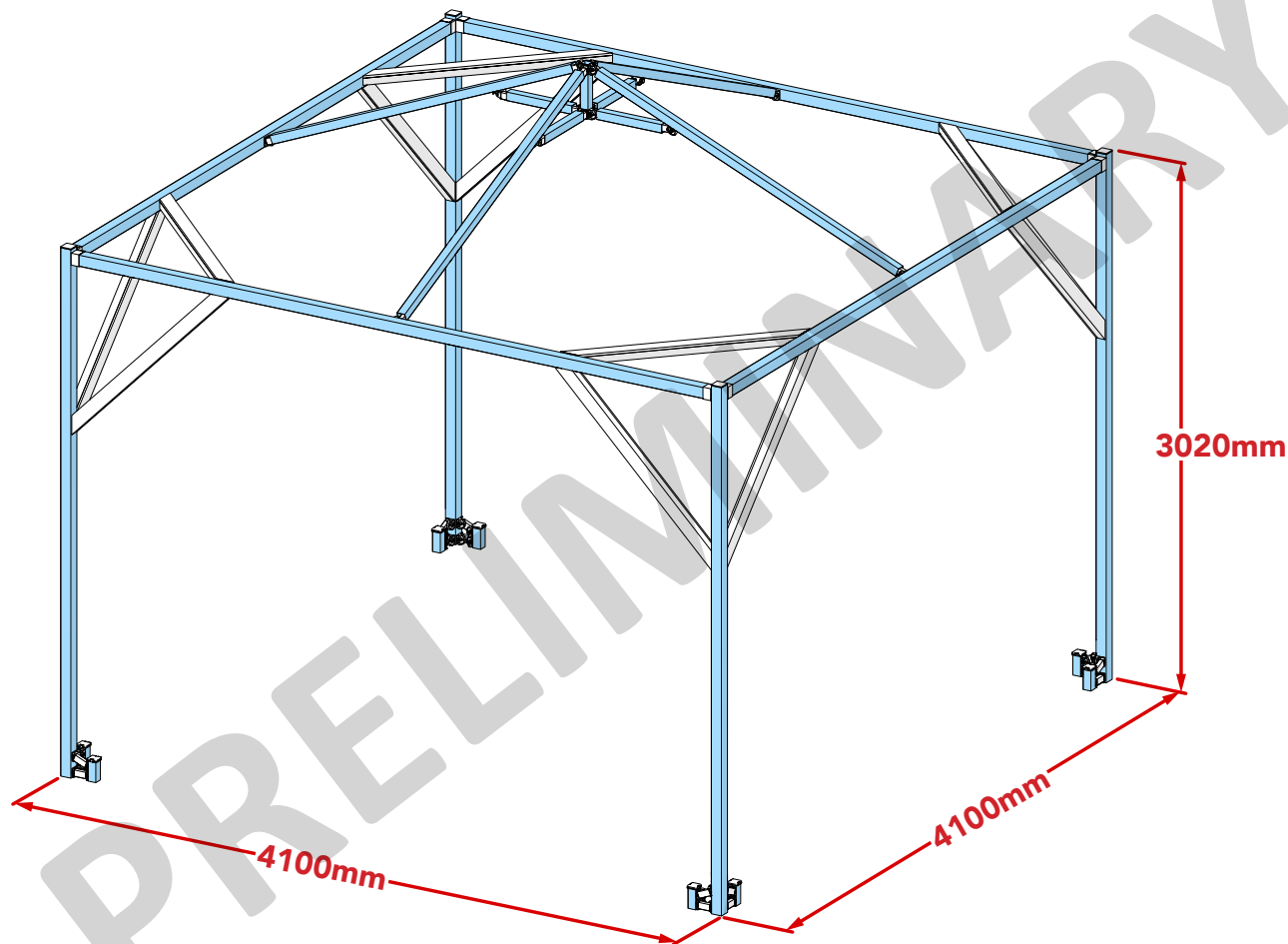
No part of this Manual or the Kwiktech product design may be copied or reproduced without the consent of Kwiktech Pty Ltd.

Construction using Kwiktech products may require planning approval. Always contact your Local Council for the most up-to-date rules and regulations for your area.

All dimensions are in millimeters (mm)

KWIKTECH KITS

ITEM	LENGTH	COLOUR	QUANTITY	RESELLER PRICE
Kwiktech DIY Square Kit (NOTE: Some items will not be used)	-	-	1	
Kwiktech DIY Creator Kit (NOTE: Some items will not be used)	-	-	1	
Kwiktech DIY Ground Anchor Kit (NOTE: Some items will not be used)	-	-	1	



NON KWIKTECH ITEMS

ITEM	ITEM ID #	ASSEMBLY ID #	LENGTH	COLOUR	QUANTITY	RESELLER PRICE
M12x75 4.6 Hex head Galv Bolt & Nut	Only required if fixing to existing concrete.		75	Galv	16	
P1326H Ninety Degree Fitting HG			105	Galv	8	
Dynabolt DP12100 M10 12x100 Galv			100	Galv	8	
65x65 Plastic Post Cap	-	-	25	Black	4	
Standard Stair Picket	Only required if fixing onto turf as temporary structure.		600	Black	8	

Sizing Guide

Square Encapsulations

User Manual

Read in conjunction with
Kwiktech Build Guide and
Kwiktech Tips & Tricks

Designed by



Engineered by



Rating: Region A, TC2.0

Rev 0

This Manual is the sole property of
Kwiktech Pty Ltd.
All rights are reserved.

This Manual is designed to be only
used with Kwiktech
produced products.

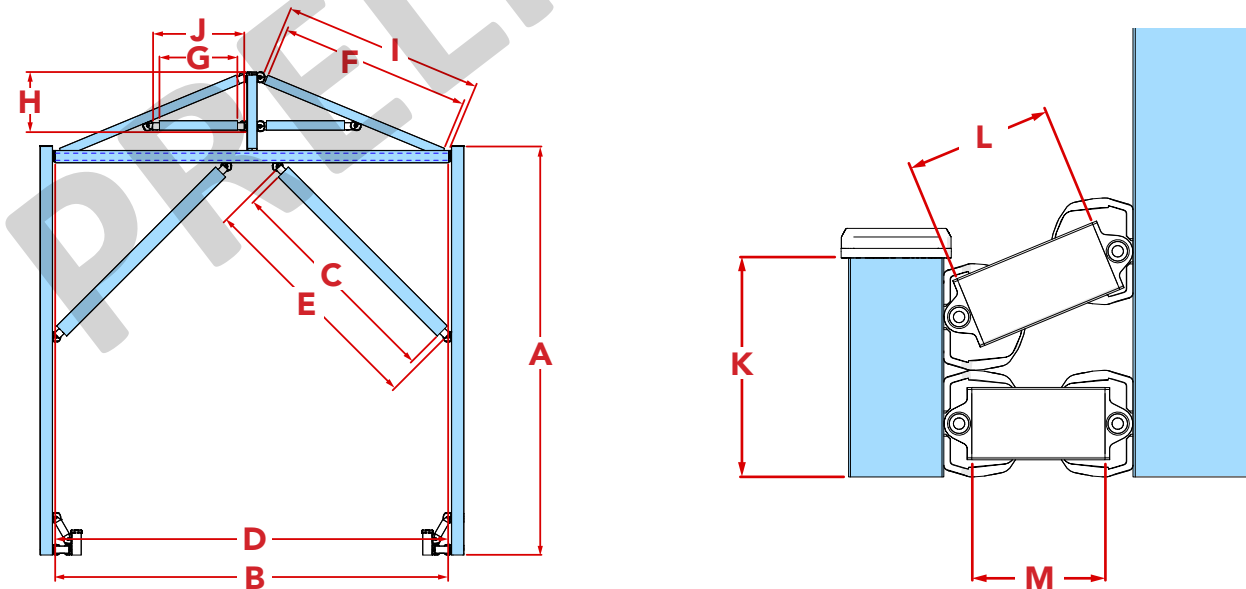
No part of this Manual or the
Kwiktech product design may be
copied or reproduced without the
consent of Kwiktech Pty Ltd.

Construction using Kwiktech
products may require planning
approval. Always contact your Local
Council for the most up-to-date
rules and regulations for your area.

All dimensions are in millimeters
(mm)

STEEL MEMBERS SIZING TABLE

Dimension ID	Steel Type	2.2m Square	2.3m Square	2.4m Square	2.5m Square	2.6m Square	2.7m Square	2.8m Square	2.9m Square	3.0m Square	3.1m Square	3.2m Square	3.3m Square	3.4m Square	3.5m Square	3.6m Square	3.7m Square	3.8m Square	3.9m Square	4.0m Square	4.1m Square
A *	65x65x2 SHS	2120	2120	2120	2120	2120	2120	2120	2120	2120	3020	3020	3020	3020	3020	3020	3020	3020	3020	3020	3020
B	65x65x2 SHS	2040	2140	2240	2340	2440	2540	2640	2740	2840	2940	3040	3140	3240	3340	3440	3540	3640	3740	3840	3940
C	75x50x2 RHS	1167	1167	1167	1167	1167	1167	1167	1167	1167	1167	1167	1167	1167	1167	1167	1167	1167	1167	1167	1167
D	38x25x1.2 RHS	2040	2140	2240	2340	2440	2540	2640	2740	2840	2940	3040	3140	3240	3340	3440	3540	3640	3740	3840	3940
E	38x25x1.2 RHS	1237	1237	1237	1237	1237	1237	1237	1237	1237	1237	1237	1237	1237	1237	1237	1237	1237	1237	1237	1237
F	50x50x1.6 SHS	993	1047	1101	1155	1209	1263	1317	1371	1425	1480	1534	1588	1642	1696	1750	1804	1858	1913	1967	2021
G	50x50x1.6 SHS	405	405	405	405	405	405	405	405	405	405	405	405	405	405	405	405	405	405	405	405
H	50x50x1.6 SHS	310	310	310	310	310	310	310	310	310	310	310	310	310	310	310	310	310	310	310	310
I	38x25x1.2 RHS	1063	1117	1171	1225	1279	1333	1387	1441	1495	1550	1604	1658	1712	1766	1820	1874	1928	1983	2037	2091
J	38x25x1.2 RHS	475	475	475	475	475	475	475	475	475	475	475	475	475	475	475	475	475	475	475	475
K	50x50x1.6 SHS	115	115	115	115	115	115	115	115	115	115	115	115	115	115	115	115	115	115	115	115
L	38x25x1.2 RHS	84	84	84	84	84	84	84	84	84	84	84	84	84	84	84	84	84	84	84	84
M	38x25x1.2 RHS	70	70	70	70	70	70	70	70	70	70	70	70	70	70	70	70	70	70	70	70



*NOTE: If fixing legs into concrete, extend these member lengths by 600mm.

Bill of Materials

Square Encapsulations

User Manual

Read in conjunction with Kwiktech Build Guide and Kwiktech Tips & Tricks

Designed by



Engineered by



Rating: Region A, TC2.0

Rev 0

This Manual is the sole property of Kwiktech Pty Ltd. All rights are reserved.

This Manual is designed to be only used with Kwiktech produced products.

No part of this Manual or the Kwiktech product design may be copied or reproduced without the consent of Kwiktech Pty Ltd.

Construction using Kwiktech products may require planning approval. Always contact your Local Council for the most up-to-date rules and regulations for your area.

All dimensions are in millimeters (mm)

NON KWIKTECH ITEMS

ITEM	ITEM ID #	ASSEMBLY ID #	LENGTH	COLOUR	QUANTITY	RESELLER PRICE
SHS 65x65x2.0mm	A			Galv	4	
SHS 65x65x2.0mm	B	1			4	
RHS 75x50x2.0mm	C	2			12	
SHS 50x50x1.6mm	F	3			4	
SHS 50x50x1.6mm	G	4			4	
SHS 50x50x1.6mm	H				1	
SHS 50x50x1.6mm	K				8	
RHS 38x25x1.2mm	D	1			4	
RHS 38x25x1.2mm	E	2			12	
RHS 38x25x1.2mm	I	3			4	
RHS 38x25x1.2mm	J	4			4	
RHS 38x25x1.2mm	L				8	
RHS 38x25x1.2mm	M				8	

Refer to Steel Member Sizing Table on page 4

FLASHINGS

ITEM	ITEM ID #	LENGTH	COLOUR	QUANTITY	RESELLER PRICE
Brace Outer Cover - KT-SENC-01	FL 1	1375	Customers Choice	12	
Brace Inner Cover - KT-SENC-02	FL 2	1375		12	
Top Horizontal End Outer Cover - KT-SENC-03	FL 3	50		8	
Top Horizontal End Inner Cover - KT-SENC-04	FL 4	50		8	
				Sub-Total	
				GST	
				Shipping	
				Total Cost	

Note: Refer to page 6 for flashing details.

Member Locations

Square Encapsulations

User Manual

Read in conjunction with
Kwiktech Build Guide and
Kwiktech Tips & Tricks

Designed by

kwiktech.

Engineered by

sbec. SCHMIDT
BENTLEY
ENGINEERING
CONSULTING

Rating: Region A, TC2.0

Rev 0

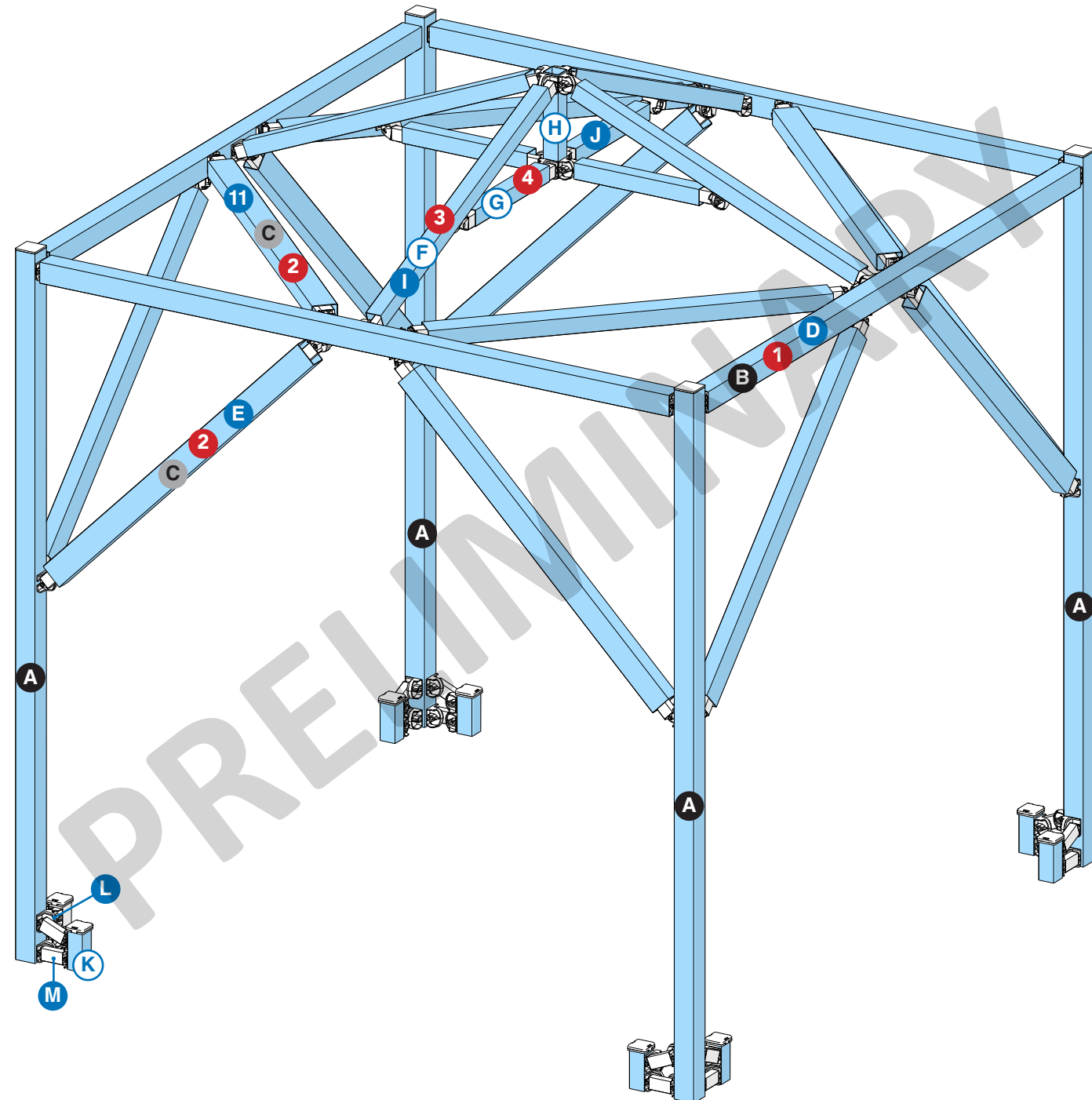
This Manual is the sole property of
Kwiktech Pty Ltd.
All rights are reserved.

This Manual is designed to be only
used with Kwiktech
produced products.

No part of this Manual or the
Kwiktech product design may be
copied or reproduced without the
consent of Kwiktech Pty Ltd.

Construction using Kwiktech
products may require planning
approval. Always contact your Local
Council for the most up-to-date
rules and regulations for your area.

All dimensions are in millimeters
(mm)



Flashing Types

Square Encapsulations

User Manual

Read in conjunction with
Kwiktech Build Guide and
Kwiktech Tips & Tricks

Designed by

kwiktech.

Engineered by

sbcc. SCHMIDT
BENTLEY
ENGINEERING
CONSULTING

Rating: Region A, TC2.0

Rev 0

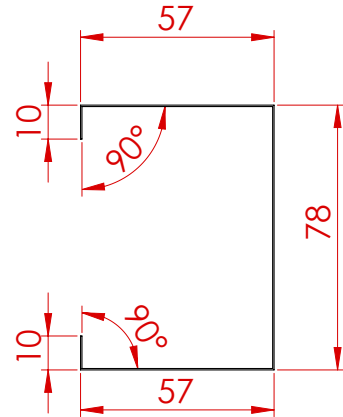
This Manual is the sole property of
Kwiktech Pty Ltd.
All rights are reserved.

This Manual is designed to be only
used with Kwiktech
produced products.

No part of this Manual or the
Kwiktech product design may be
copied or reproduced without the
consent of Kwiktech Pty Ltd.

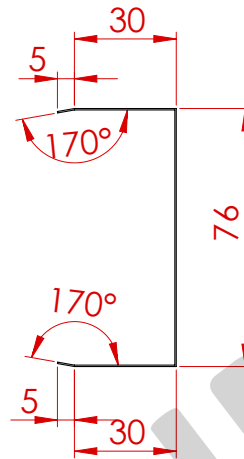
Construction using Kwiktech
products may require planning
approval. Always contact your Local
Council for the most up-to-date
rules and regulations for your area.

All dimensions are in millimeters
(mm)



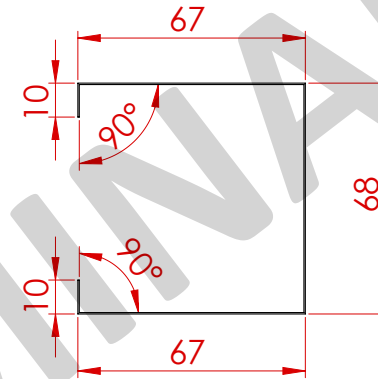
FL 1

KT-SENC-01
1375mm
0.42 BMT
QTY: 12



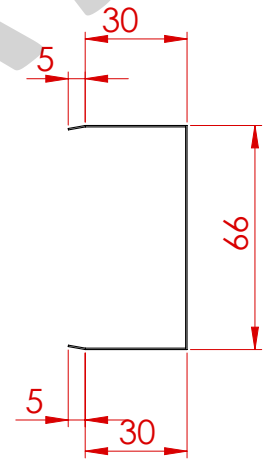
FL 2

KT-SENC-02
1375mm
0.42 BMT
QTY: 12



FL 3

KT-SENC-03
50mm
0.42 BMT
QTY: 8



FL 4

KT-SENC-04
50mm
0.42 BMT
QTY: 8

Flashing Trimmings

Square Encapsulations

User Manual

Read in conjunction with
Kwiktech Build Guide and
Kwiktech Tips & Tricks

Designed by

kwiktech.

Engineered by

sbec. SCHMIDT
BENTLEY
ENGINEERING
CONSULTING

Rating: Region A, TC2.0

Rev 0

This Manual is the sole property of
Kwiktech Pty Ltd.
All rights are reserved.

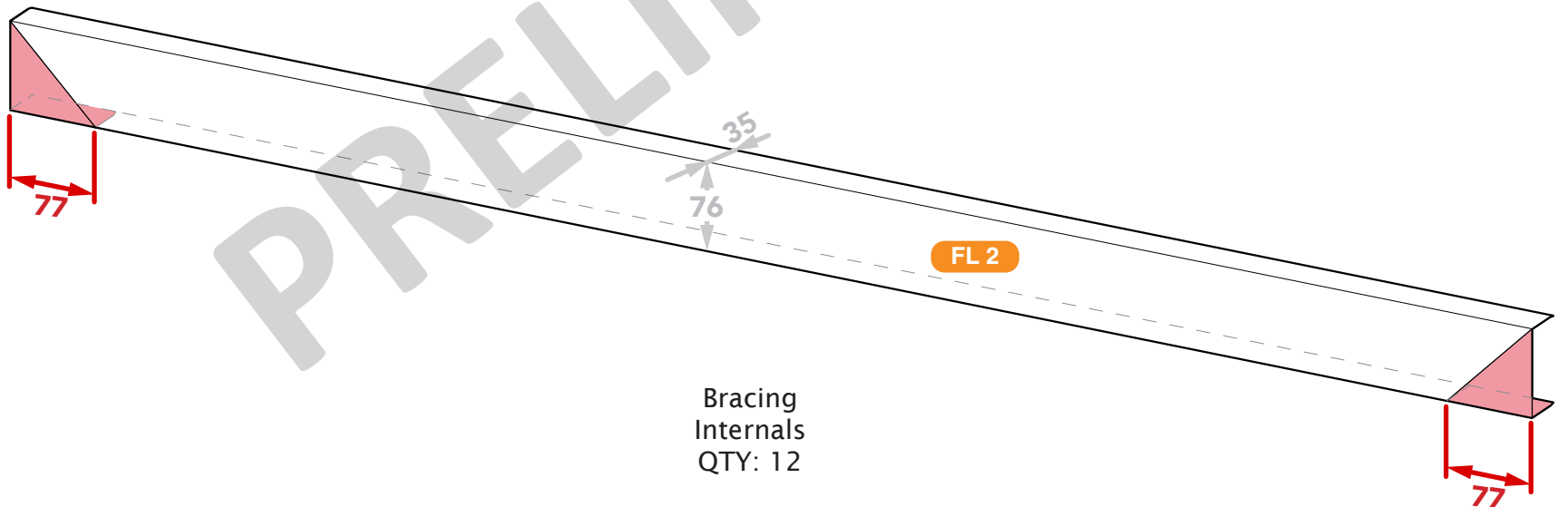
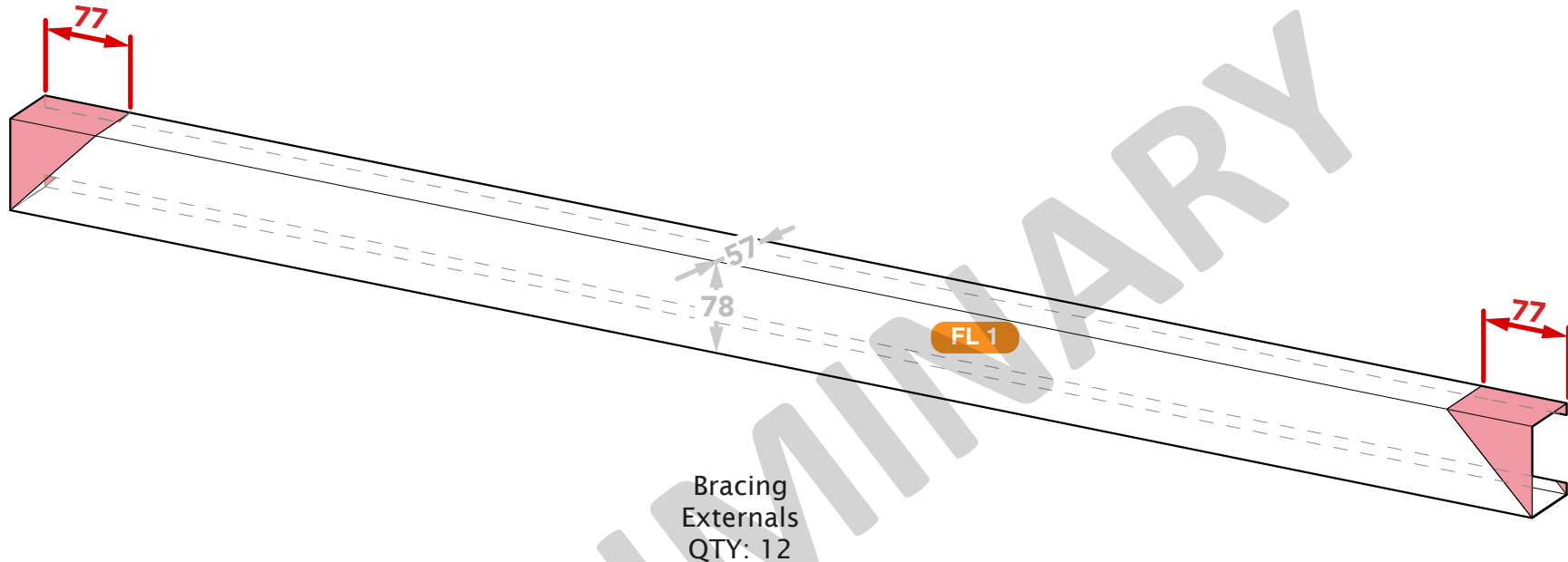
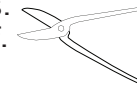
This Manual is designed to be only
used with Kwiktech
produced products.

No part of this Manual or the
Kwiktech product design may be
copied or reproduced without the
consent of Kwiktech Pty Ltd.

Construction using Kwiktech
products may require planning
approval. Always contact your Local
Council for the most up-to-date
rules and regulations for your area.

All dimensions are in millimeters
(mm)

Measure and mark lines on flashings.
Use tinsnips to trip shaded areas off.



Rail Assembly

Square Encapsulations

User Manual

Read in conjunction with Kwiktech Build Guide and Kwiktech Tips & Tricks

Designed by



Engineered by



Rating: Region A, TC2.0

Rev 0

This Manual is the sole property of Kwiktech Pty Ltd. All rights are reserved.

This Manual is designed to be only used with Kwiktech produced products.

No part of this Manual or the Kwiktech product design may be copied or reproduced without the consent of Kwiktech Pty Ltd.

Construction using Kwiktech products may require planning approval. Always contact your Local Council for the most up-to-date rules and regulations for your area.

All dimensions are in millimeters (mm)

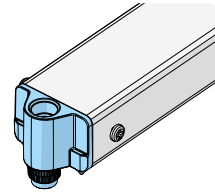
Rail Setup

Refer to build guide for assembly details.

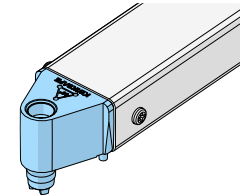
All members have a Standard insert unless otherwise noted.

Mark item ID on each member.

RAIL INSERT TYPES



Standard



60°

D x 4

E x 12

I x 4

J x 4

L x 8

M x 8

60°

60°

60°

Note: Only assemble these 2 members if encapsulation being fixed into turf with stat pickets. More details on pages 52 & 55.

Approximate time required: 3 Hours

Extra Strong Rail Assembly

Square Encapsulations

User Manual

Read in conjunction with Kwiktech Build Guide and Kwiktech Tips & Tricks

Designed by

kwiktech.

Engineered by

sbec. SCHMIDT BENTLEY ENGINEERING CONSULTING

Rating: Region A, TC2.0

Rev 0

This Manual is the sole property of Kwiktech Pty Ltd. All rights are reserved.

This Manual is designed to be only used with Kwiktech produced products.

No part of this Manual or the Kwiktech product design may be copied or reproduced without the consent of Kwiktech Pty Ltd.

Construction using Kwiktech products may require planning approval. Always contact your Local Council for the most up-to-date rules and regulations for your area.

All dimensions are in millimeters (mm)

Rail Setup

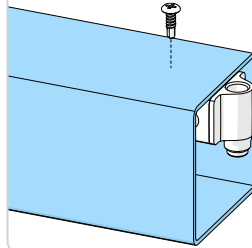
Refer to build guide for assembly details.

Recommend using C-Clamps to hold rails for screw fixing.

Mark assembly ID on each member.

TYPICAL ENDS FIXING DETAIL

Screw 10mm from end of SHS.

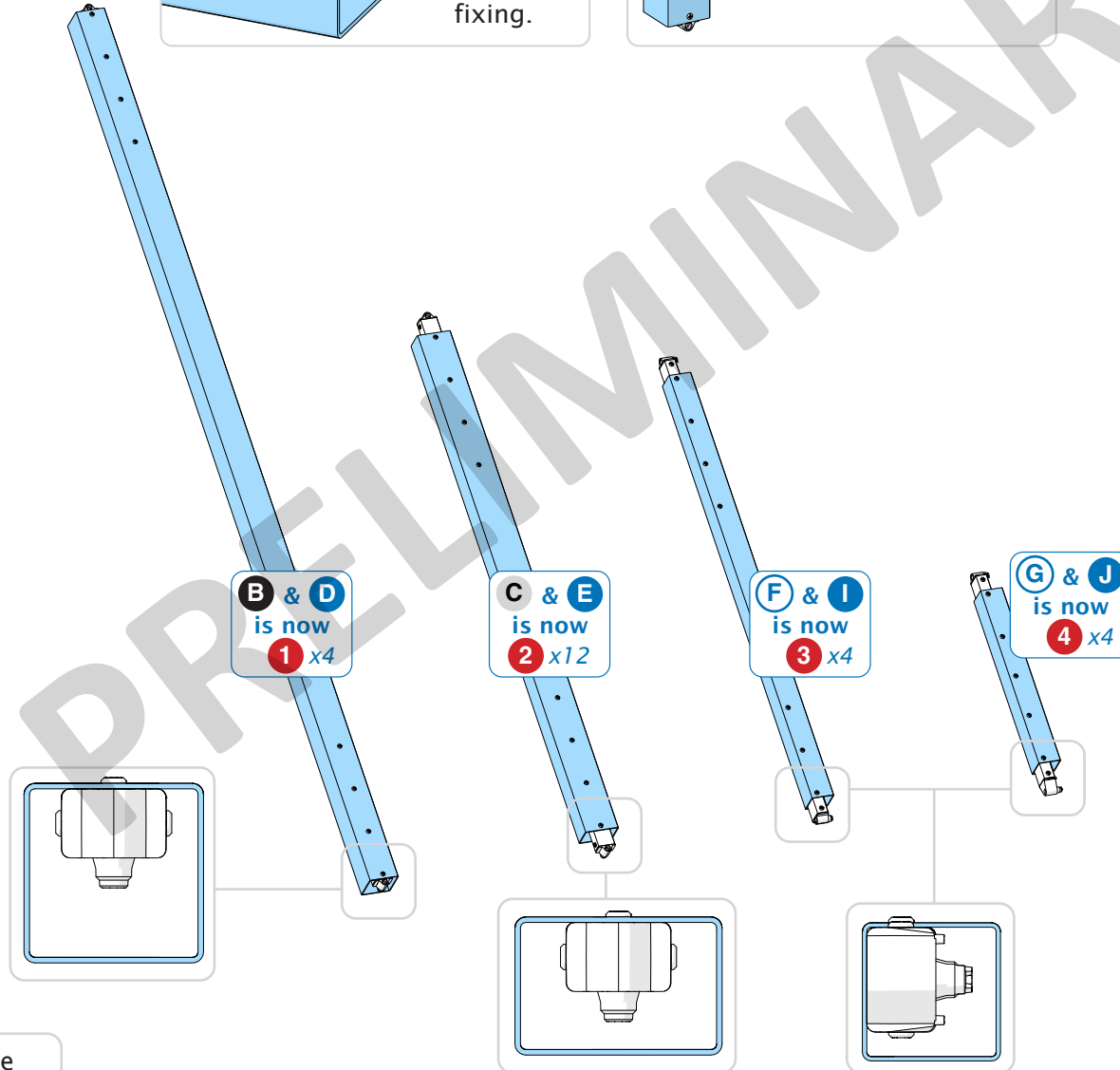
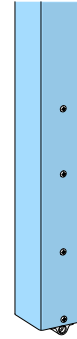


Note: Use suitable spacer to secure 38x25 in place while fixing.

ENDS FIXING DETAIL

4 screws from 75x50/65x65/50x50 into 38x25.

100mm spacing, both ends for 38x25 full length members.



Approximate time required: 4 Hours

Universal Connector Locations

Square Encapsulations

User Manual

Read in conjunction with
Kwiktech Build Guide and
Kwiktech Tips & Tricks

Designed by

kwiktech.

Engineered by

sbec. SCHMIDT
BENTLEY
ENGINEERING
CONSULTING

Rating: Region A, TC2.0

Rev 0

This Manual is the sole property of
Kwiktech Pty Ltd.
All rights are reserved.

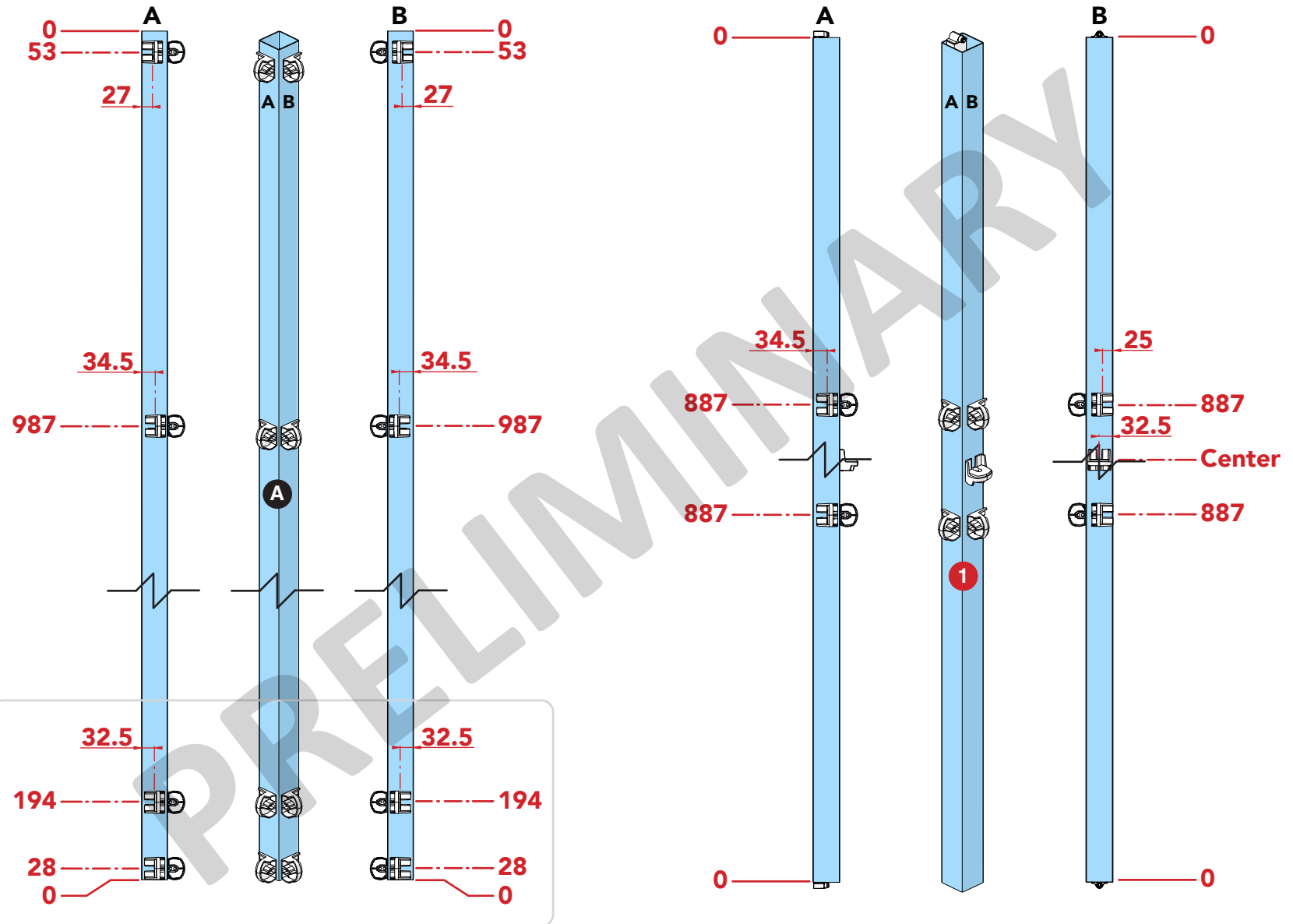
This Manual is designed to be only
used with Kwiktech
produced products.

No part of this Manual or the
Kwiktech product design may be
copied or reproduced without the
consent of Kwiktech Pty Ltd.

Construction using Kwiktech
products may require planning
approval. Always contact your Local
Council for the most up-to-date
rules and regulations for your area.

All dimensions are in millimeters
(mm)

www.kwiktech.com.au
© Kwiktech Pty Ltd 2022



Corner Post
x4

Note: Only fix these 4
connectors if encapsulation
being fixed into turf. More
details on pages 53 & 56.

Top Horizontals
x4

Approximate time
required: 1 Hour

Universal Connector Locations

Square Encapsulations

User Manual

Read in conjunction with Kwiktech Build Guide and Kwiktech Tips & Tricks

Designed by

kwiktech.

Engineered by

sbec. SCHMIDT BENTLEY ENGINEERING CONSULTING

Rating: Region A, TC2.0

Rev 0

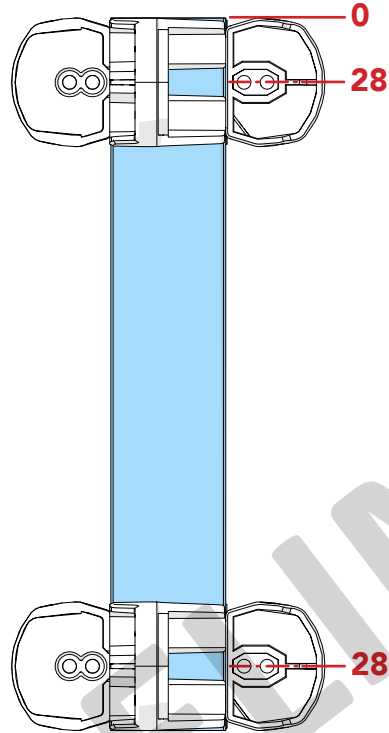
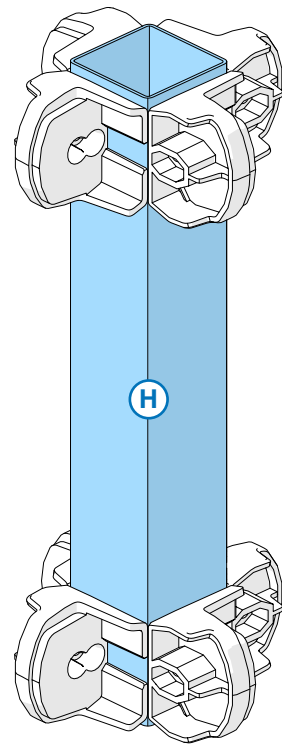
This Manual is the sole property of Kwiktech Pty Ltd. All rights are reserved.

This Manual is designed to be only used with Kwiktech produced products.

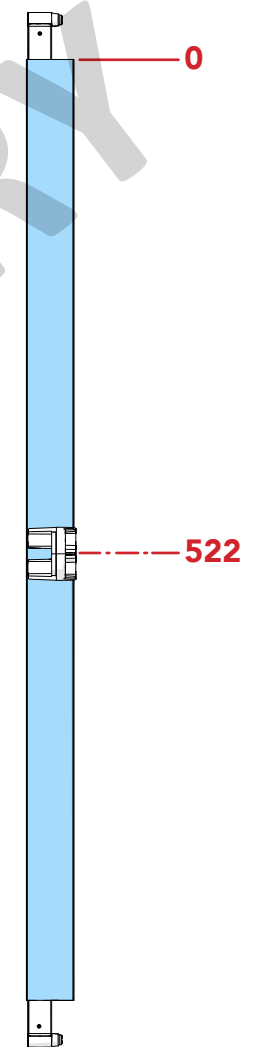
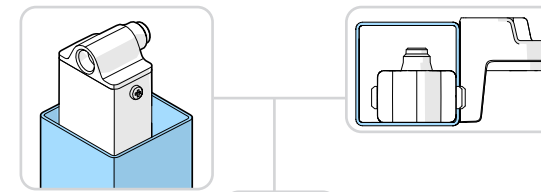
No part of this Manual or the Kwiktech product design may be copied or reproduced without the consent of Kwiktech Pty Ltd.

Construction using Kwiktech products may require planning approval. Always contact your Local Council for the most up-to-date rules and regulations for your area.

All dimensions are in millimeters (mm)



Peak Connection Post
x1. All sides the same.



Peak Diagonals
x4

Approximate time required: 1 Hour

Ground Fixing Details

Square Encapsulations

User Manual

Read in conjunction with
Kwiktech Build Guide and
Kwiktech Tips & Tricks

Designed by

kwiktech.

Engineered by

sbec. SCHMIDT
BENTLEY
ENGINEERING
CONSULTING

Rating: Region A, TC2.0

Rev 0

This Manual is the sole property of
Kwiktech Pty Ltd.
All rights are reserved.

This Manual is designed to be only
used with Kwiktech
produced products.

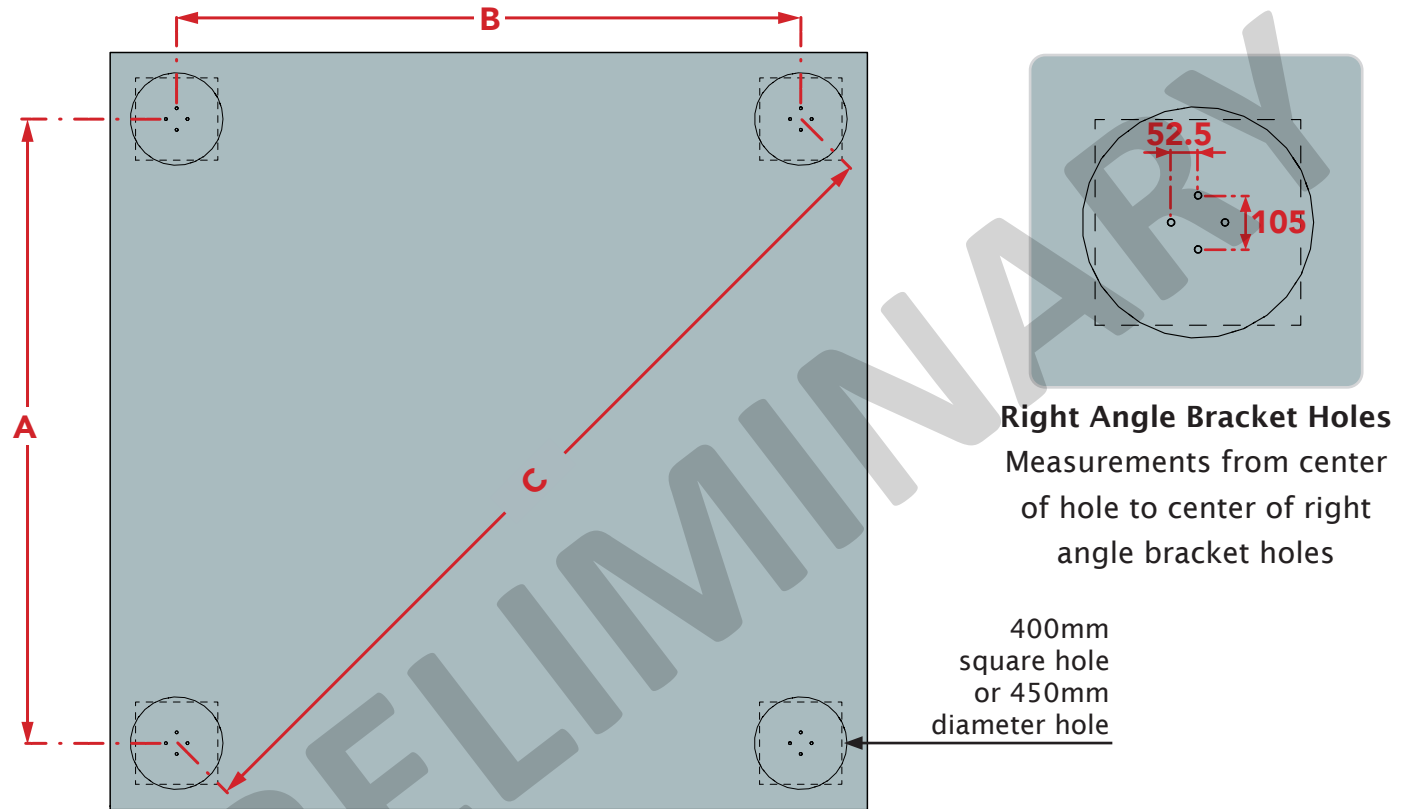
No part of this Manual or the
Kwiktech product design may be
copied or reproduced without the
consent of Kwiktech Pty Ltd.

Construction using Kwiktech
products may require planning
approval. Always contact your Local
Council for the most up-to-date
rules and regulations for your area.

All dimensions are in millimeters
(mm)

Hole measurements

All measurements from center of hole



DIMENSION ID & LENGTHS

Dimension	2.2m	2.3m	2.4m	2.5m	2.6m	2.7m	2.8m	2.9m	3.0m	3.1m	3.2m	3.3m	3.4m	3.5m	3.6m	3.7m	3.8m	3.9m	4.0m	4.1m
ID	Square	Square	Square	Square	Square	Square	Square	Square	Square	Square	Square	Square	Square	Square	Square	Square	Square	Square	Square	Square
A	2135	2235	2335	2435	2535	2635	2735	2835	2935	3035	3135	3235	3335	3435	3535	3635	3735	3835	3935	4035
B	2135	2235	2335	2435	2535	2635	2735	2835	2935	3035	3135	3235	3335	3435	3535	3635	3735	3835	3935	4035
C	3019	3161	3302	3444	3586	3726	3868	4009	4151	4292	4434	4575	4716	4858	4999	5141	5282	5424	5565	5706

Ground Fixing Details

Square Encapsulations

User Manual

Read in conjunction with Kwiktech Build Guide and Kwiktech Tips & Tricks

Designed by

kwiktech.

Engineered by

sbcc. SCHMIDT BENTLEY ENGINEERING CONSULTING

Rating: Region A, TC2.0

Rev 0

This Manual is the sole property of Kwiktech Pty Ltd. All rights are reserved.

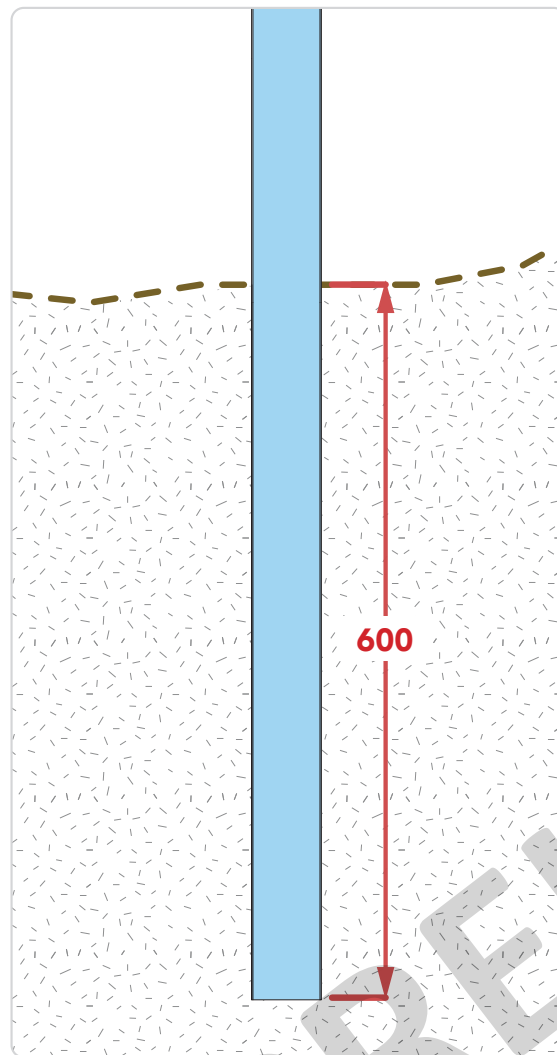
This Manual is designed to be only used with Kwiktech produced products.

No part of this Manual or the Kwiktech product design may be copied or reproduced without the consent of Kwiktech Pty Ltd.

Construction using Kwiktech products may require planning approval. Always contact your Local Council for the most up-to-date rules and regulations for your area.

All dimensions are in millimeters (mm)

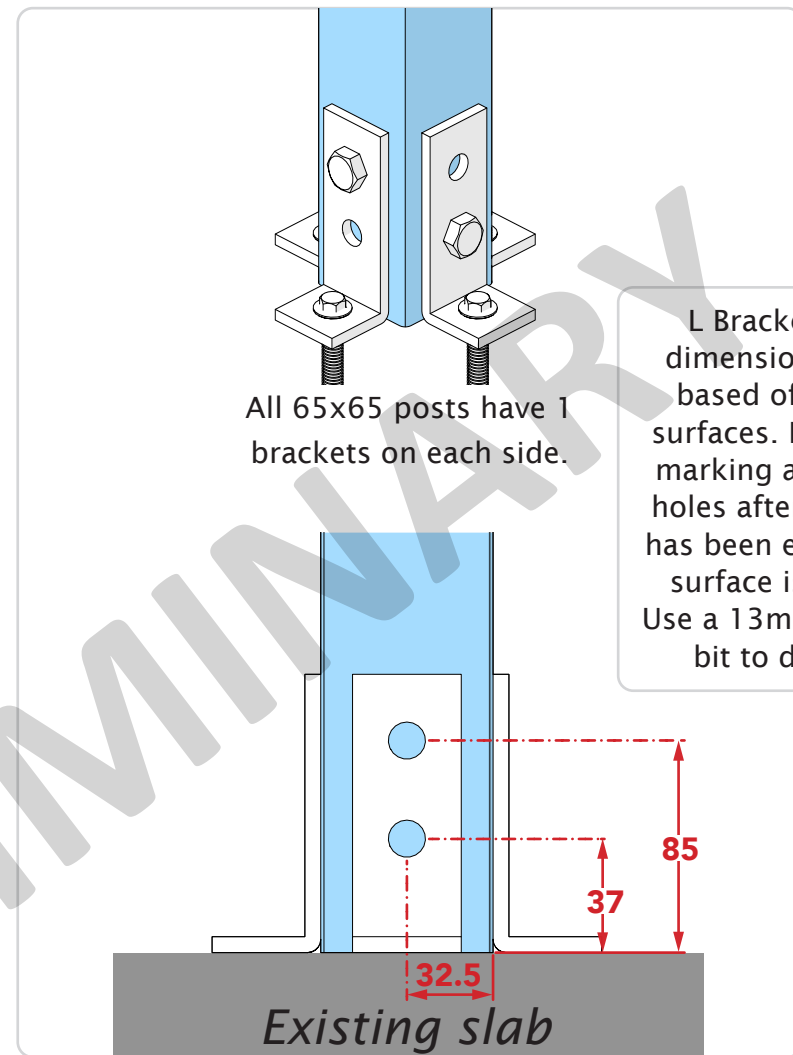
www.kwiktech.com.au
© Kwiktech Pty Ltd 2022



Primary Post Fixing Method

600mm embedment into ground x either 450mm diameter OR 400mm square hole.

Concrete minimum compressive strength of 15 MPa.
(Applies to both fixing scenarios)



Secondary Post Fixing Method

Assumed existing slab to be minimum 100mm thick & in sound structural condition.

L Bracket fixed to posts via m12x90 4.6 Hex Head Galv Bolt/Nut. Use a 13mm metal drill bit to drill hole.

Fixed into concrete with 4 x Dynabolt DP12100GH M10 12x100mm Galv Hex Nut, 70mm min edge distance. Use a 12mm masonry drill bit to drill hole.

L Bracket drilling dimensions for post based off flat level surfaces. Recommend marking and drillings holes after framework has been erected if the surface is not level. Use a 13mm metal drill bit to drill hole.

Ground Fixing Details

Square Encapsulations

User Manual

Read in conjunction with
Kwiktech Build Guide and
Kwiktech Tips & Tricks

Designed by

kwiktech.

Engineered by

sbec. SCHMIDT
BENTLEY
ENGINEERING
CONSULTING

Rating: Region A, TC2.0

Rev 0

This Manual is the sole property of
Kwiktech Pty Ltd.
All rights are reserved.

This Manual is designed to be only
used with Kwiktech
produced products.

No part of this Manual or the
Kwiktech product design may be
copied or reproduced without the
consent of Kwiktech Pty Ltd.

Construction using Kwiktech
products may require planning
approval. Always contact your Local
Council for the most up-to-date
rules and regulations for your area.

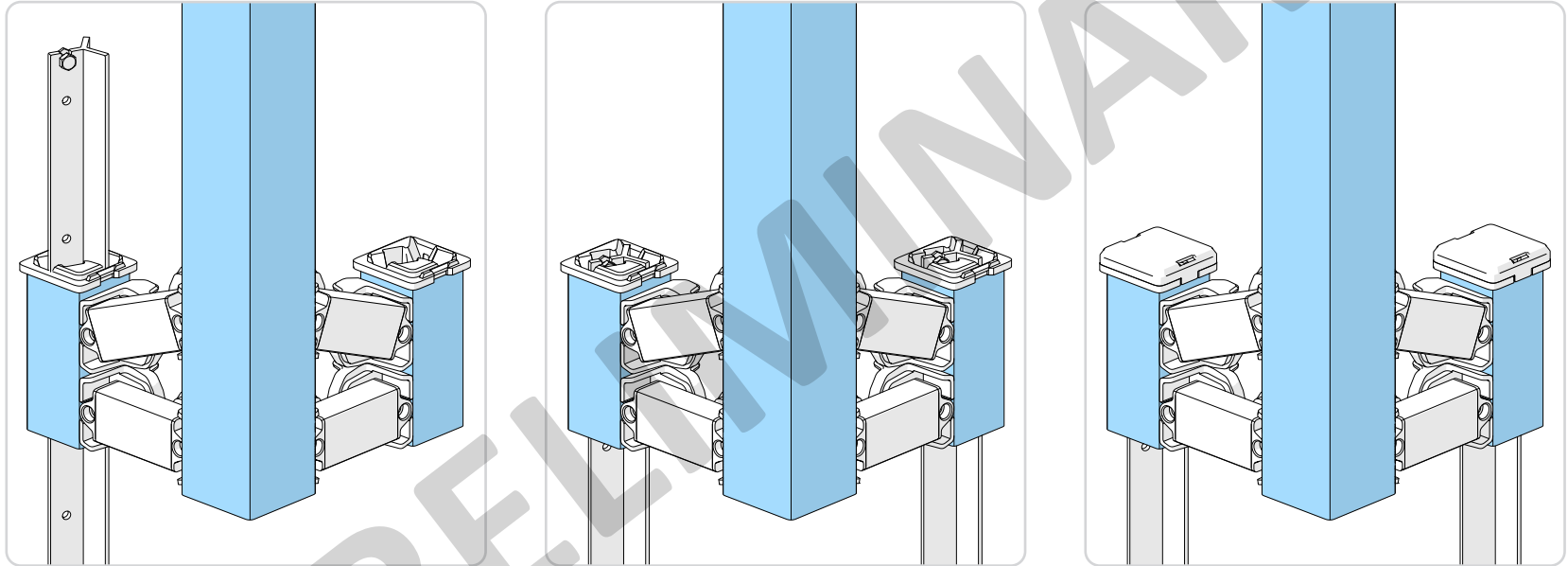
All dimensions are in millimeters
(mm)

Tertiary Post Fixing Method

Assumed fixing into turf.

Attach Star Pickets as shown on page 56.

Place Star Picket into Kwiktech Star Picket Stopper and embed into ground. Repeat
for all Star Picket Stoppers. Click on Post Caps on all Stoppers.



Assembly Sequence

Square Encapsulations

User Manual

Read in conjunction with Kwiktech Build Guide and Kwiktech Tips & Tricks

Designed by

kwiktech.

Engineered by

sbec. SCHMIDT BENTLEY ENGINEERING CONSULTING

Rating: Region A, TC2.0

Rev 0

This Manual is the sole property of Kwiktech Pty Ltd. All rights are reserved.

This Manual is designed to be only used with Kwiktech produced products.

No part of this Manual or the Kwiktech product design may be copied or reproduced without the consent of Kwiktech Pty Ltd.

Construction using Kwiktech products may require planning approval. Always contact your Local Council for the most up-to-date rules and regulations for your area.

All dimensions are in millimeters (mm)

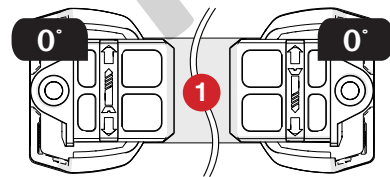
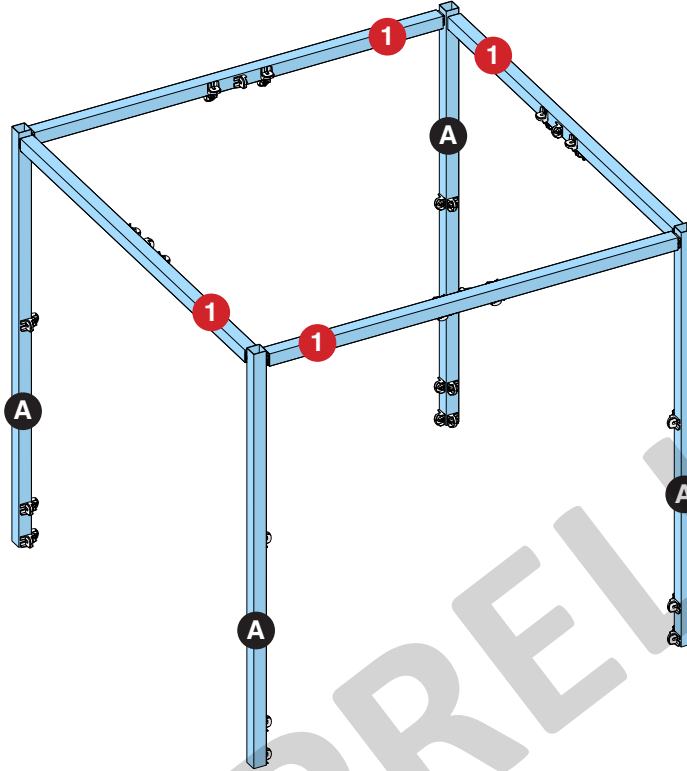
www.kwiktech.com.au
© Kwiktech Pty Ltd 2022

Build Encapsulation

Construct on the ground.
(Images show steel upright for clarity)

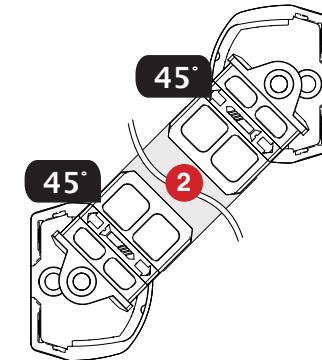
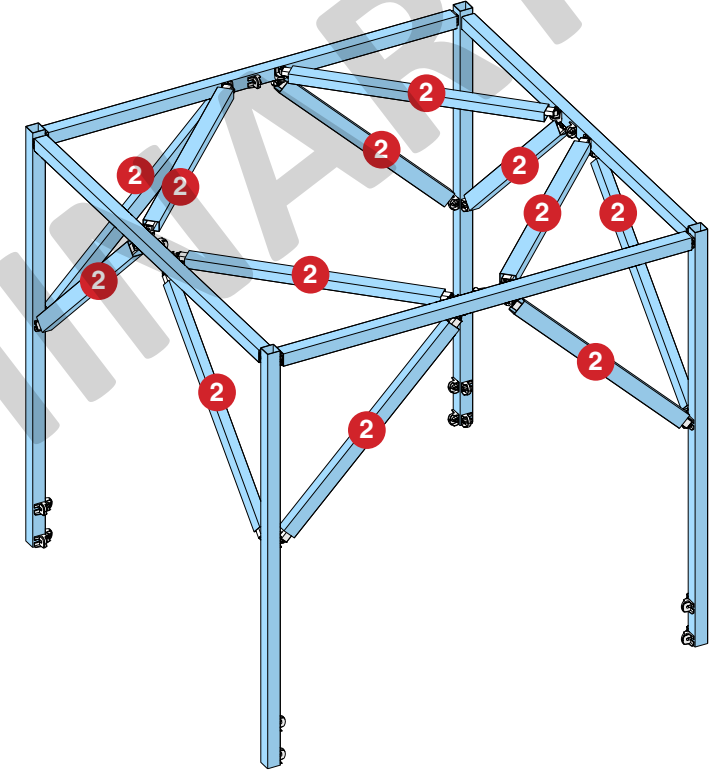
Step 1

Attach the 8 rail items below



Step 2

Attach the 12 rail items below



Approximate time
required: 0.5 Hours

Assembly Sequence

Square Encapsulations

User Manual

Read in conjunction with Kwiktech Build Guide and Kwiktech Tips & Tricks

Designed by

kwiktech.

Engineered by

sbec. SCHMIDT BENTLEY ENGINEERING CONSULTING

Rating: Region A, TC2.0

Rev 0

This Manual is the sole property of Kwiktech Pty Ltd. All rights are reserved.

This Manual is designed to be only used with Kwiktech produced products.

No part of this Manual or the Kwiktech product design may be copied or reproduced without the consent of Kwiktech Pty Ltd.

Construction using Kwiktech products may require planning approval. Always contact your Local Council for the most up-to-date rules and regulations for your area.

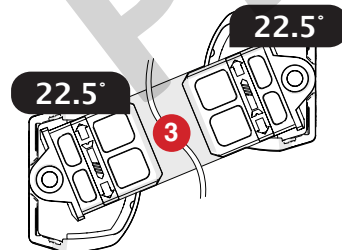
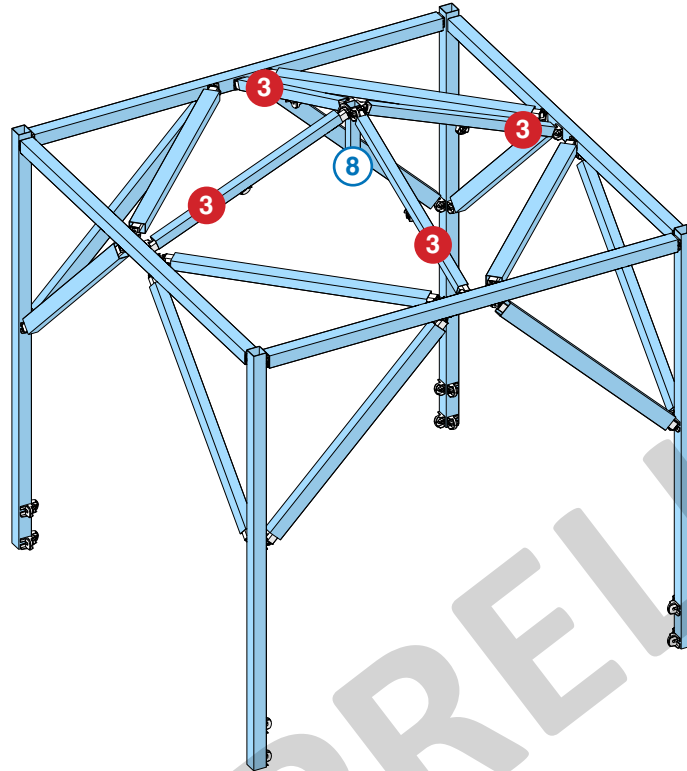
All dimensions are in millimeters (mm)

www.kwiktech.com.au
© Kwiktech Pty Ltd 2022

Build Encapsulation Construct on the ground. (Images show steel upright for clarity)

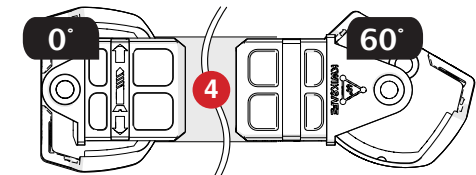
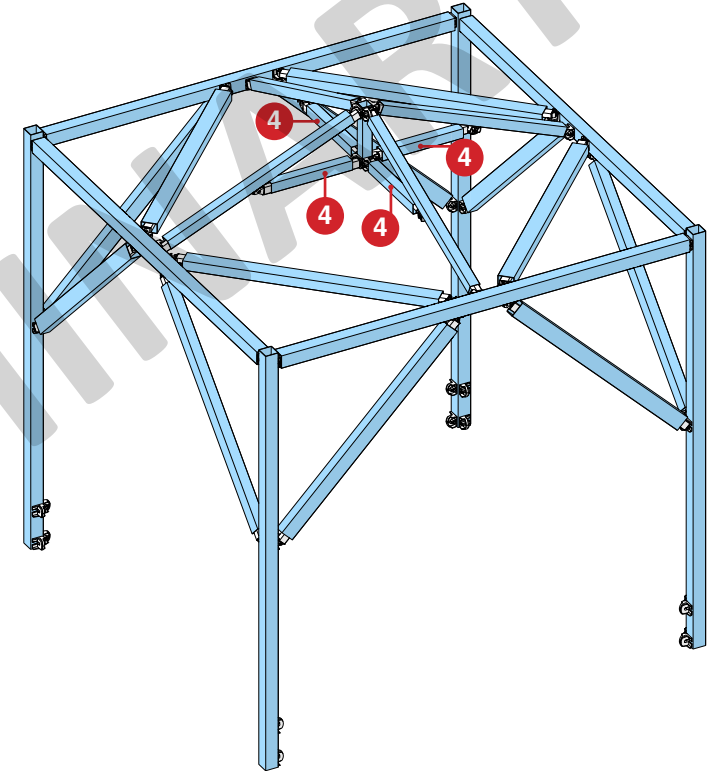
Step 1

Attach the 4 rail items below



Step 2

Attach the 4 rail items below



Approximate time
required: 0.5 Hours

Assembly Sequence

Square Encapsulations

User Manual

Read in conjunction with
Kwiktech Build Guide and
Kwiktech Tips & Tricks

Designed by

kwiktech.

Engineered by

sbec. SCHMIDT
BENTLEY
ENGINEERING
CONSULTING

Rating: Region A, TC2.0

Rev 0

This Manual is the sole property of
Kwiktech Pty Ltd.
All rights are reserved.

This Manual is designed to be only
used with Kwiktech
produced products.

No part of this Manual or the
Kwiktech product design may be
copied or reproduced without the
consent of Kwiktech Pty Ltd.

Construction using Kwiktech
products may require planning
approval. Always contact your Local
Council for the most up-to-date
rules and regulations for your area.

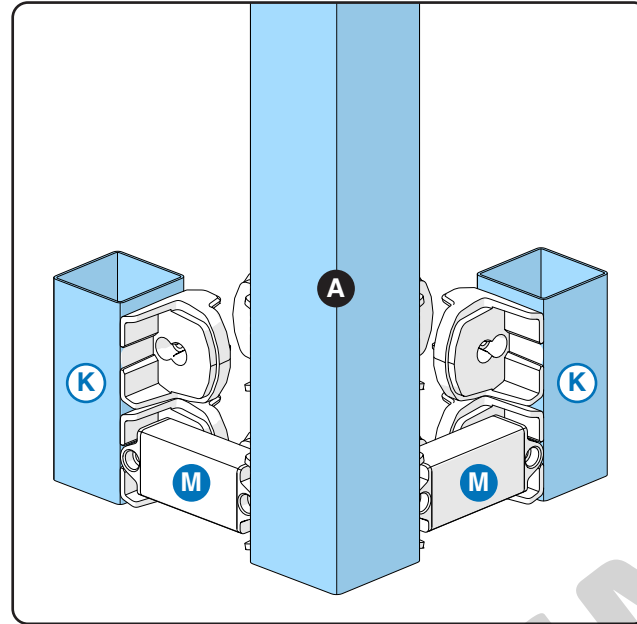
All dimensions are in millimeters
(mm)

Star Picket Brace

Steps only required if fixing to turf.

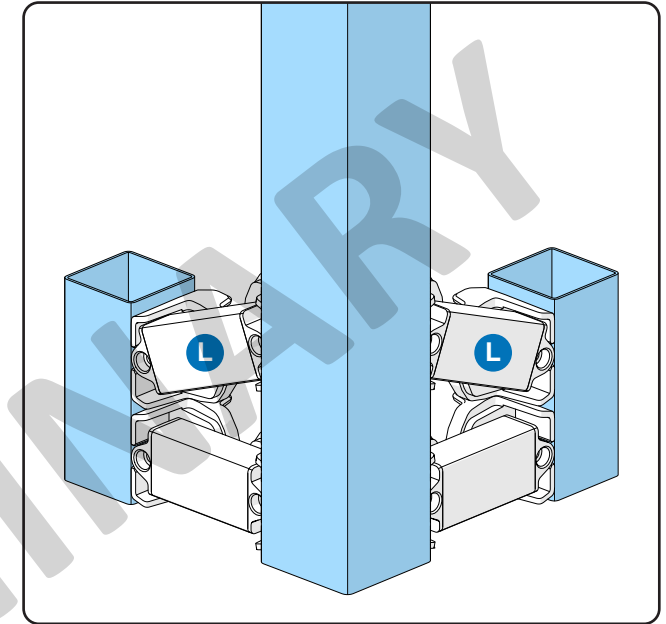
Step 1

Attach the 4 rail items below



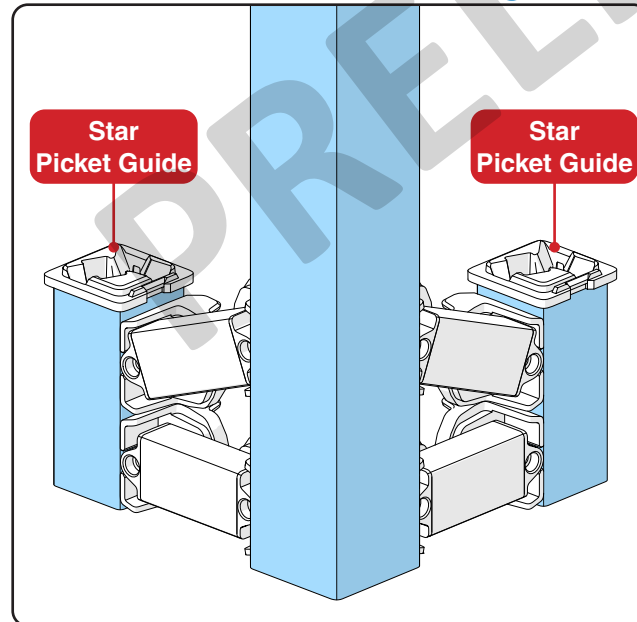
Step 2

Attach the 2 rail items below



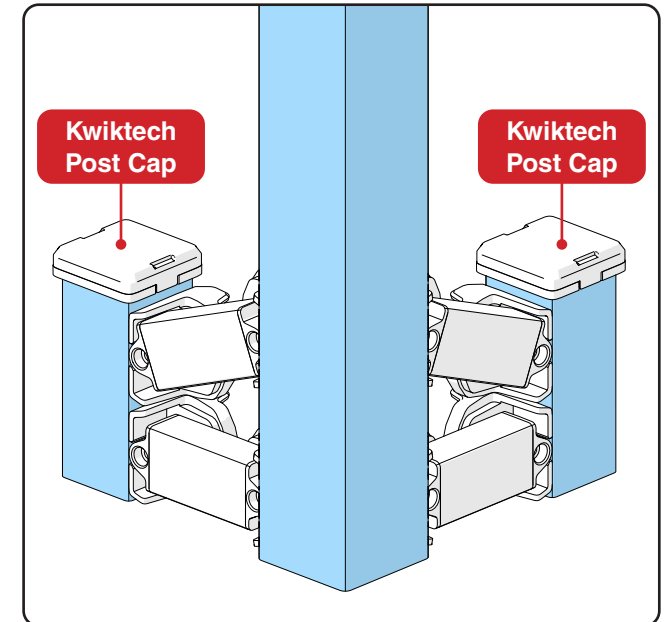
Step 3

Install Star Picket Guide into item ⑨



Step 4

After Star Pickets inserted, install Post Cap.



Flashings & Finishings

Square Encapsulations

User Manual

Read in conjunction with
Kwiktech Build Guide and
Kwiktech Tips & Tricks

Designed by

kwiktech.

Engineered by

sbec. SCHMIDT
BENTLEY
ENGINEERING
CONSULTING

Rating: Region A, TC2.0

Rev 0

This Manual is the sole property of
Kwiktech Pty Ltd.
All rights are reserved.

This Manual is designed to be only
used with Kwiktech
produced products.

No part of this Manual or the
Kwiktech product design may be
copied or reproduced without the
consent of Kwiktech Pty Ltd.

Construction using Kwiktech
products may require planning
approval. Always contact your Local
Council for the most up-to-date
rules and regulations for your area.

All dimensions are in millimeters
(mm)

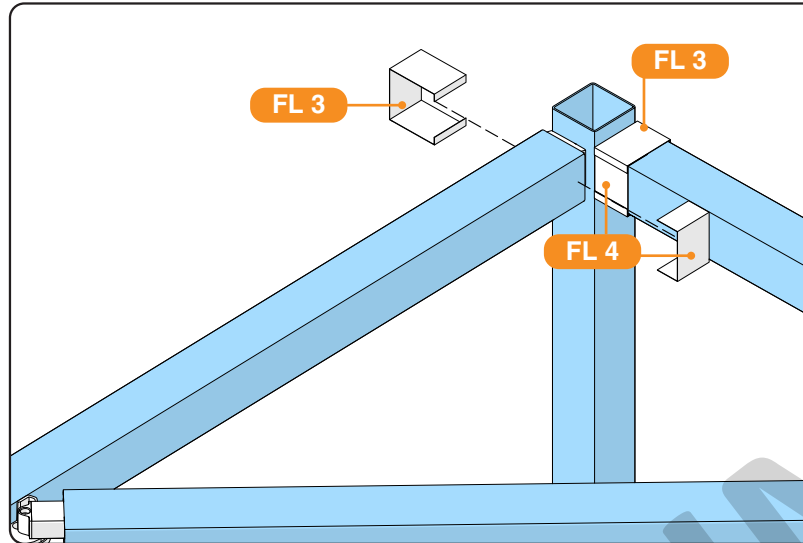
www.kwiktech.com.au
© Kwiktech Pty Ltd 2022

Install the Stringer

Flashings

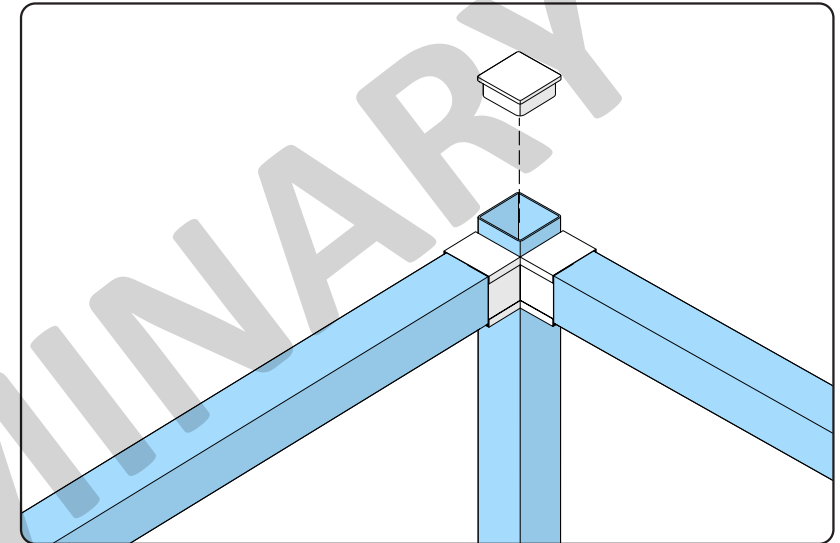
Step 1

Place the internal end flashings on the ends of all the horizontal members. Then the external one over the top & clip it onto the SHS member. Secure via fixings or glue.



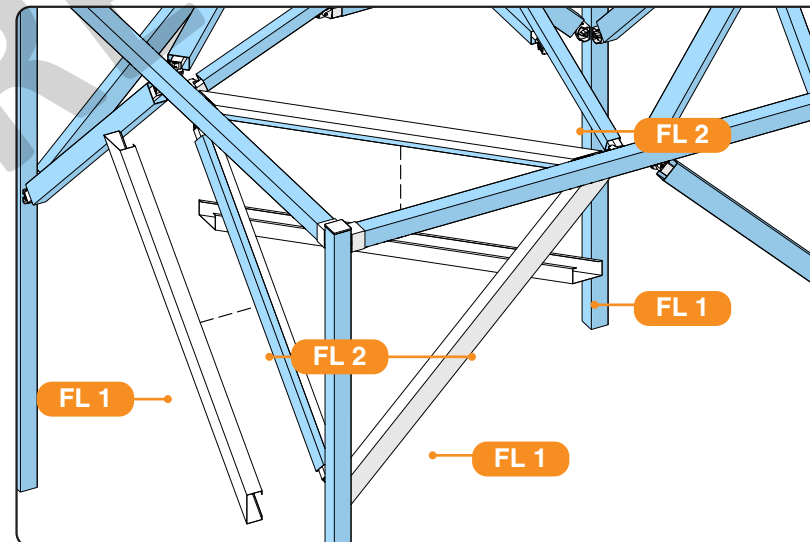
Step 2

Place the plastic 65x65 post cap inserts into each of the 4 corner posts.



Step 3

Place the internal bracing flashings on all 12 of the diagonal bracing members. Then the external one over the top & clip it onto the RHS member. Secure in place via fixings or glue.



Peaked Encapsulations

Square Encapsulations

User Manual

Read in conjunction with
Kwiktech Build Guide and
Kwiktech Tips & Tricks

Designed by

kwiktech.

Engineered by

sbec. SCHMIDT
BENTLEY
ENGINEERING
CONSULTING

Rating: Region A, TC2.0

Rev 0

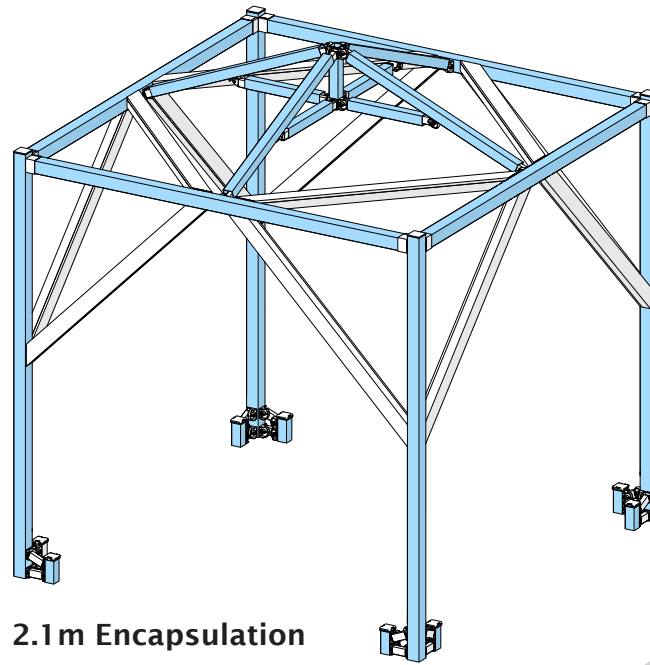
This Manual is the sole property of
Kwiktech Pty Ltd.
All rights are reserved.

This Manual is designed to be only
used with Kwiktech
produced products.

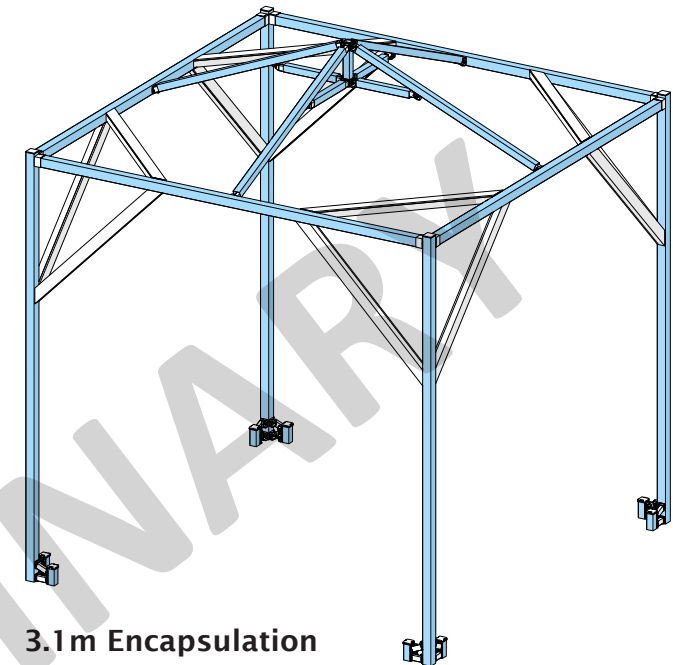
No part of this Manual or the
Kwiktech product design may be
copied or reproduced without the
consent of Kwiktech Pty Ltd.

Construction using Kwiktech
products may require planning
approval. Always contact your Local
Council for the most up-to-date
rules and regulations for your area.

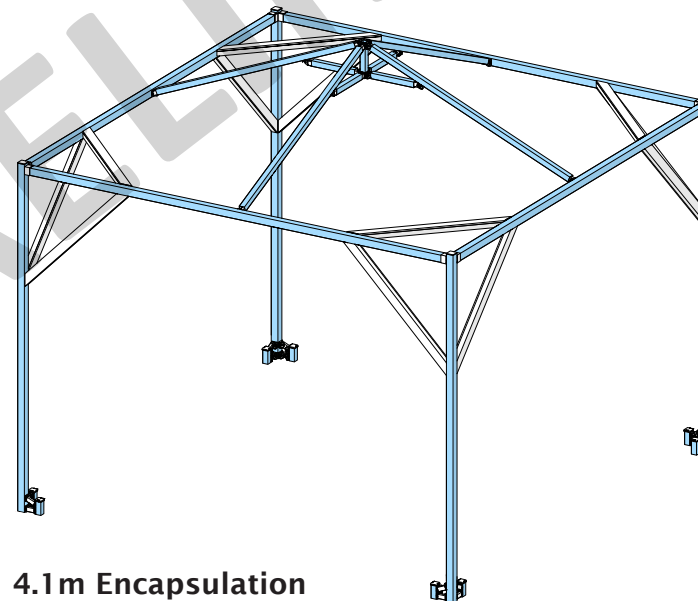
All dimensions are in millimeters
(mm)



2.1m Encapsulation



3.1m Encapsulation



4.1m Encapsulation