

# Over Bonnet Storage Shelf

## Over Bonnet Storage Shelf

---

### *User Manual*

Read in conjunction with  
Kwiktech Build Guide and  
Kwiktech Tips & Tricks

Designed by

**kwiktech.**

Engineered by

**sbec.** SCHMIDT  
BENTLEY  
ENGINEERING  
CONSULTING

Rating: 275kg per Shelf

Rev 1

This Manual is the sole property of  
Kwiktech Pty Ltd.  
All rights are reserved.

This Manual is designed to be only  
used with Kwiktech  
produced products.

No part of this Manual or the  
Kwiktech product design may be  
copied or reproduced without the  
consent of Kwiktech Pty Ltd.

Construction using Kwiktech  
products may require planning  
approval. Always contact your Local  
Council for the most up-to-date  
rules and regulations for your area.

All dimensions are in millimeters  
(mm)



# General Arrangement

## Over Bonnet Storage Shelf

### User Manual

Read in conjunction with  
Kwiktech Build Guide and  
Kwiktech Tips & Tricks

Designed by

**kwiktech.**

Engineered by

**sbec.** SCHMIDT  
BENTLEY  
ENGINEERING  
CONSULTING

Rating: 275kg per Shelf

Rev 1

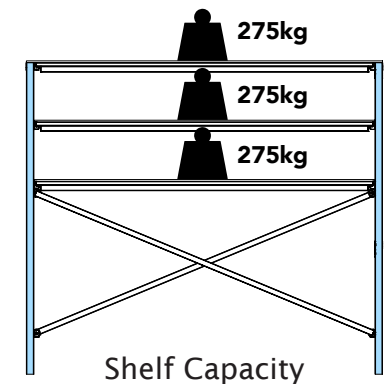
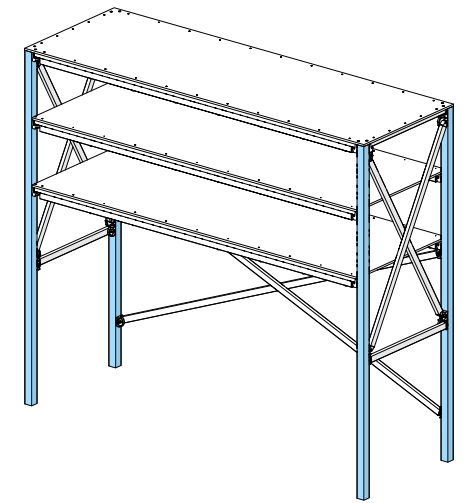
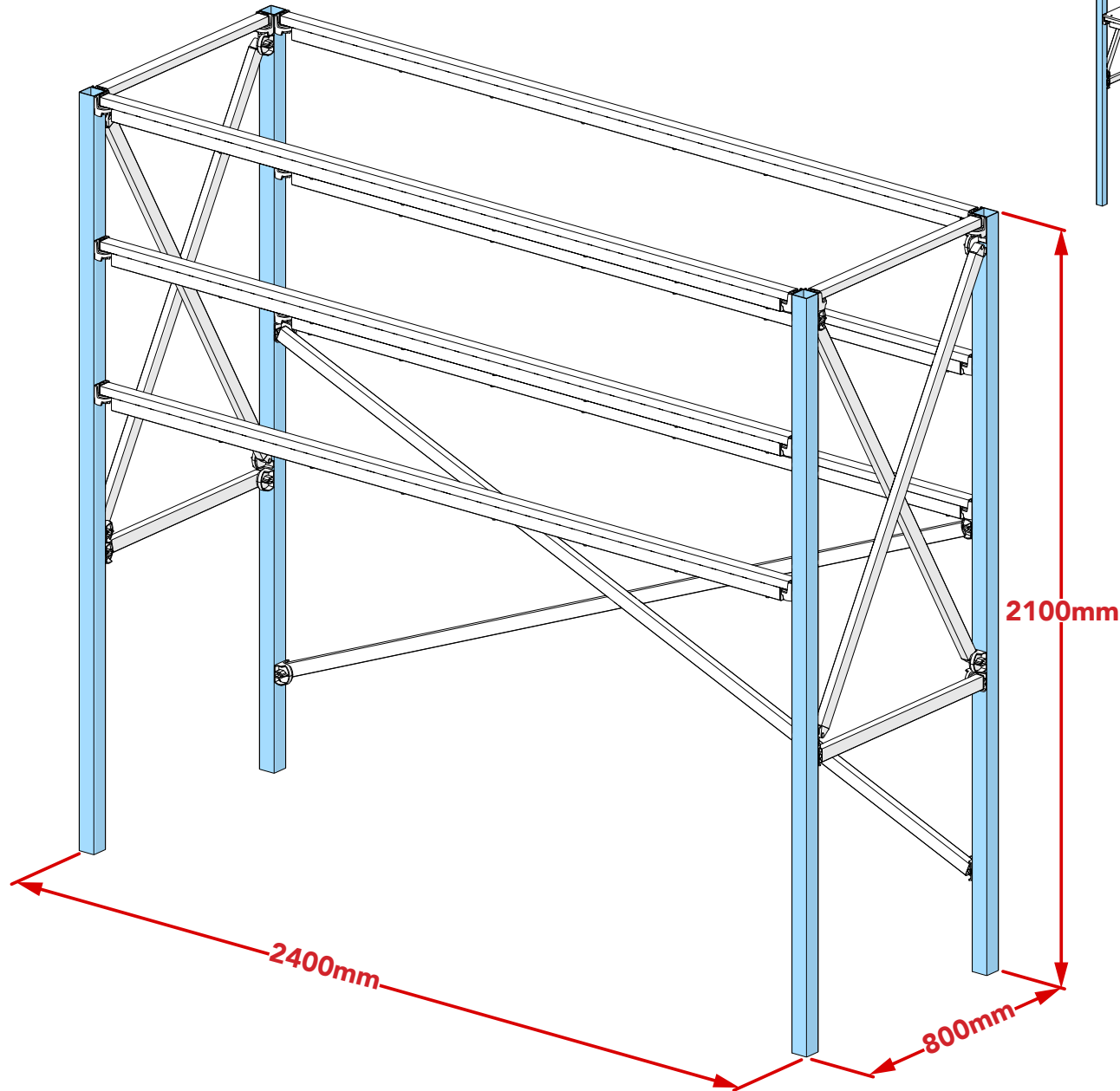
This Manual is the sole property of  
Kwiktech Pty Ltd.  
All rights are reserved.

This Manual is designed to be only  
used with Kwiktech  
produced products.

No part of this Manual or the  
Kwiktech product design may be  
copied or reproduced without the  
consent of Kwiktech Pty Ltd.

Construction using Kwiktech  
products may require planning  
approval. Always contact your Local  
Council for the most up-to-date  
rules and regulations for your area.

All dimensions are in millimeters  
(mm)



# Materials List

## Over Bonnet Storage Shelf

### User Manual

Read in conjunction with Kwiktech Build Guide and Kwiktech Tips & Tricks

Designed by



Engineered by



Rating: 275kg per Shelf

Rev 1

This Manual is the sole property of Kwiktech Pty Ltd. All rights are reserved.

This Manual is designed to be only used with Kwiktech produced products.

No part of this Manual or the Kwiktech product design may be copied or reproduced without the consent of Kwiktech Pty Ltd.

Construction using Kwiktech products may require planning approval. Always contact your Local Council for the most up-to-date rules and regulations for your area.

All dimensions are in millimeters (mm)

### KWIKTECH KITS

ITEM	LENGTH	COLOUR	QUANTITY	RESELLER PRICE
Kwiktech DIY Square Kit (NOTE: Some items will not be used)	-	-	1	
Kwiktech DIY Creator Kit (NOTE: Some items will not be used)	-	-	1	

### NON KWIKTECH ITEMS - STEEL

ITEM	ITEM ID #	ASSEMBLY ID #	LENGTH	COLOUR	QUANTITY	RESELLER PRICE
SHS 50x50x1.6mm	① ② ③ ④		2100	Galv	4	
RHS 38x25x1.2mm	⑤		2459		2	
RHS 38x25x1.2mm	⑥	A	2270		6	
RHS 38x25x1.2mm	⑦	A	2204		6	
RHS 38x25x1.2mm	⑧		1285		4	
RHS 38x25x1.2mm	⑨		670		4	

### NON KWIKTECH ITEMS - OTHER

ITEM	ITEM ID #	LENGTH	COLOUR	QUANTITY	RESELLER PRICE
STRUCTAflor 3600x800x1.9mm	⑩ ⑪ ⑫	3600	-	2	
Hex Head Metal Roofing Tek Screw 12-14G		50	Galv	48	
Metal Screw Countersunk Head Phillips Drive 10G		38	Galv	76	
Plastic End Stop		-	Black	12	
				Sub-Total	
				GST	
				Shipping	
				Total Cost	

# Materials List

## Over Bonnet Storage Shelf

### User Manual

Read in conjunction with  
Kwiktech Build Guide and  
Kwiktech Tips & Tricks

Designed by

**kwiktech.**

Engineered by

**sbec.** SCHMIDT  
BENTLEY  
ENGINEERING  
CONSULTING

Rating: 275kg per Shelf

Rev 1

This Manual is the sole property of  
Kwiktech Pty Ltd.  
All rights are reserved.

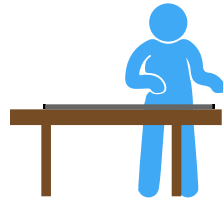
This Manual is designed to be only  
used with Kwiktech  
produced products.

No part of this Manual or the  
Kwiktech product design may be  
copied or reproduced without the  
consent of Kwiktech Pty Ltd.

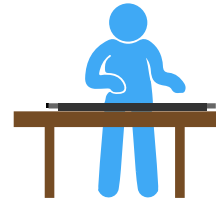
Construction using Kwiktech  
products may require planning  
approval. Always contact your Local  
Council for the most up-to-date  
rules and regulations for your area.

All dimensions are in millimeters  
(mm)

## Build Preparation



Rail Inserts



Extra Strong Rails



Universal  
Connectors

### KWIKTECH FIXINGS & ACCESSORIES

ITEM	QUANTITY	ITEM	QUANTITY
Post Connector (KT-P-001)	0	10G x 16 Self Drilling Wafer Head Screw	200
Universal Connector (KT-P-002)	32	M6 x 40 Socket Head Cap Screw - Zinc	32
Rail Inserts (KT-P-003)	24	M6 x 20 Hex Head Bolt - Galv	0
60° Rail Inserts (KT-P-004)	8	M6 Nut - Galv	0
Star Picket Guide (KT-P-005)	0	Kwiktech 2mm Displacement Plate	0
Post Cap (KT-P-006)	0	Right Angle Bracket - Zinc	0
Tension Strapping 0.8 x 30 x 85mm	0	Assembly Wedge - Rubber	0
Tension Strapping 0.8x 30 x 95mm	0	10G x 16 Self Drilling Small Head Flat Top Screw	0
Tension Strapping 0.8 x 30 x 135mm	0		
Tension Strapping 0.8 x 30 x 250mm	0		

### HOLLOW METAL

ITEM	TOTAL LENGTH
Duragal 50x50x1.6mm	8.4m
Duragal 38x25x1.2mm	38m

FOR  
INFORMATION  
ONLY

# Member Locations

## Over Bonnet Storage Shelf

### User Manual

Read in conjunction with  
Kwiktech Build Guide and  
Kwiktech Tips & Tricks

Designed by

**kwiktech.**

Engineered by

**sbec.** SCHMIDT  
BENTLEY  
ENGINEERING  
CONSULTING

Rating: 275kg per Shelf

Rev 1

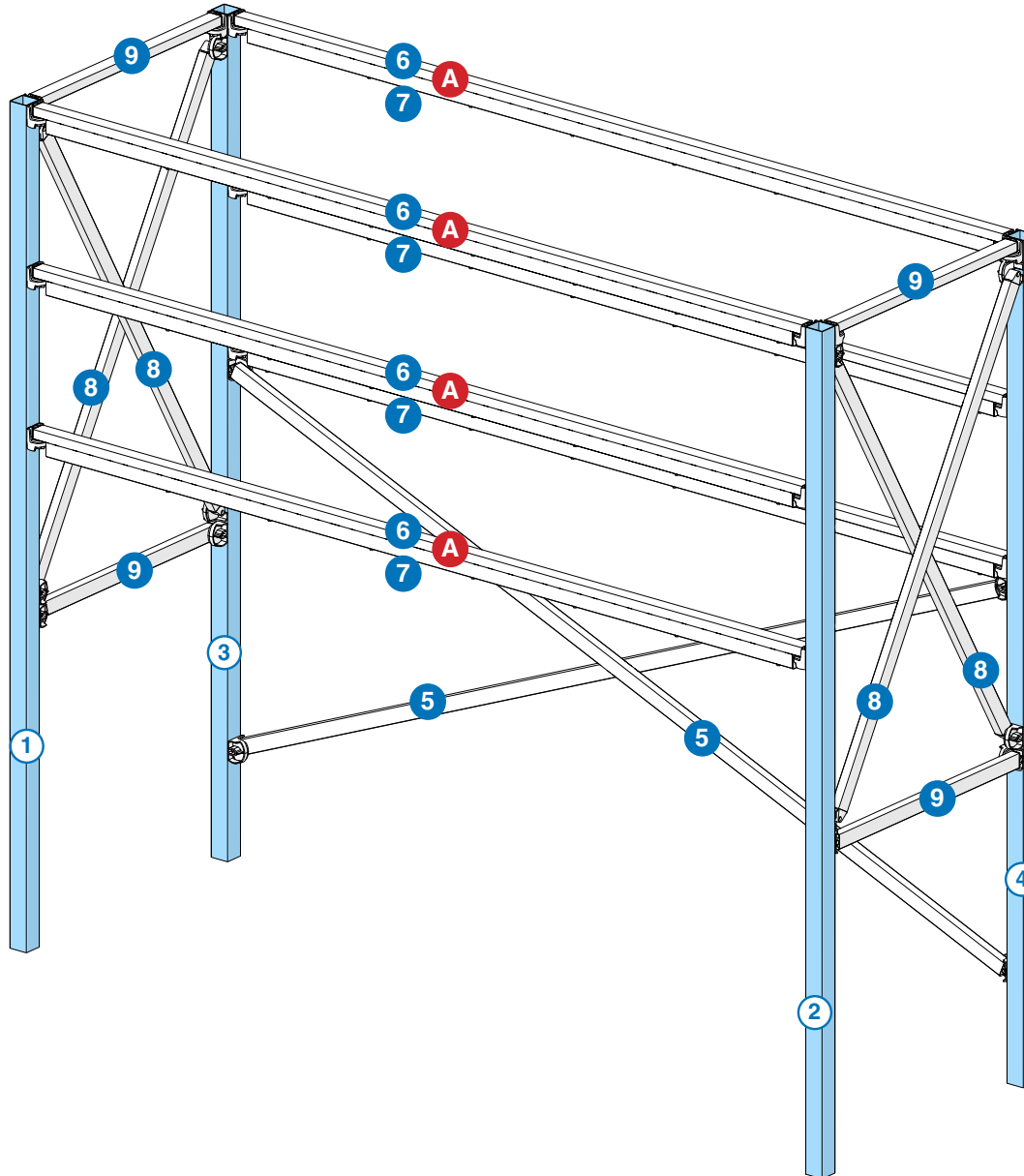
This Manual is the sole property of  
Kwiktech Pty Ltd.  
All rights are reserved.

This Manual is designed to be only  
used with Kwiktech  
produced products.

No part of this Manual or the  
Kwiktech product design may be  
copied or reproduced without the  
consent of Kwiktech Pty Ltd.

Construction using Kwiktech  
products may require planning  
approval. Always contact your Local  
Council for the most up-to-date  
rules and regulations for your area.

All dimensions are in millimeters  
(mm)



# Rail Assembly

## Over Bonnet Storage Shelf

### User Manual

Read in conjunction with Kwiktech Build Guide and Kwiktech Tips & Tricks

Designed by

**kwiktech.**

Engineered by

**sbcc.** SCHMIDT BENTLEY ENGINEERING CONSULTING

Rating: 275kg per Shelf

Rev 1

This Manual is the sole property of Kwiktech Pty Ltd. All rights are reserved.

This Manual is designed to be only used with Kwiktech produced products.

No part of this Manual or the Kwiktech product design may be copied or reproduced without the consent of Kwiktech Pty Ltd.

Construction using Kwiktech products may require planning approval. Always contact your Local Council for the most up-to-date rules and regulations for your area.

All dimensions are in millimeters (mm)

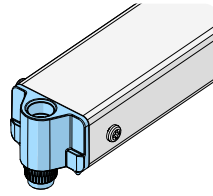
## Rail Setup

Refer to build guide for assembly details.

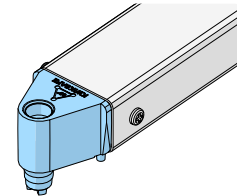
All members have a Standard insert unless otherwise noted.

Mark item ID on each member.

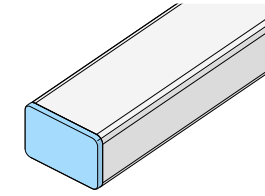
## RAIL INSERT TYPES



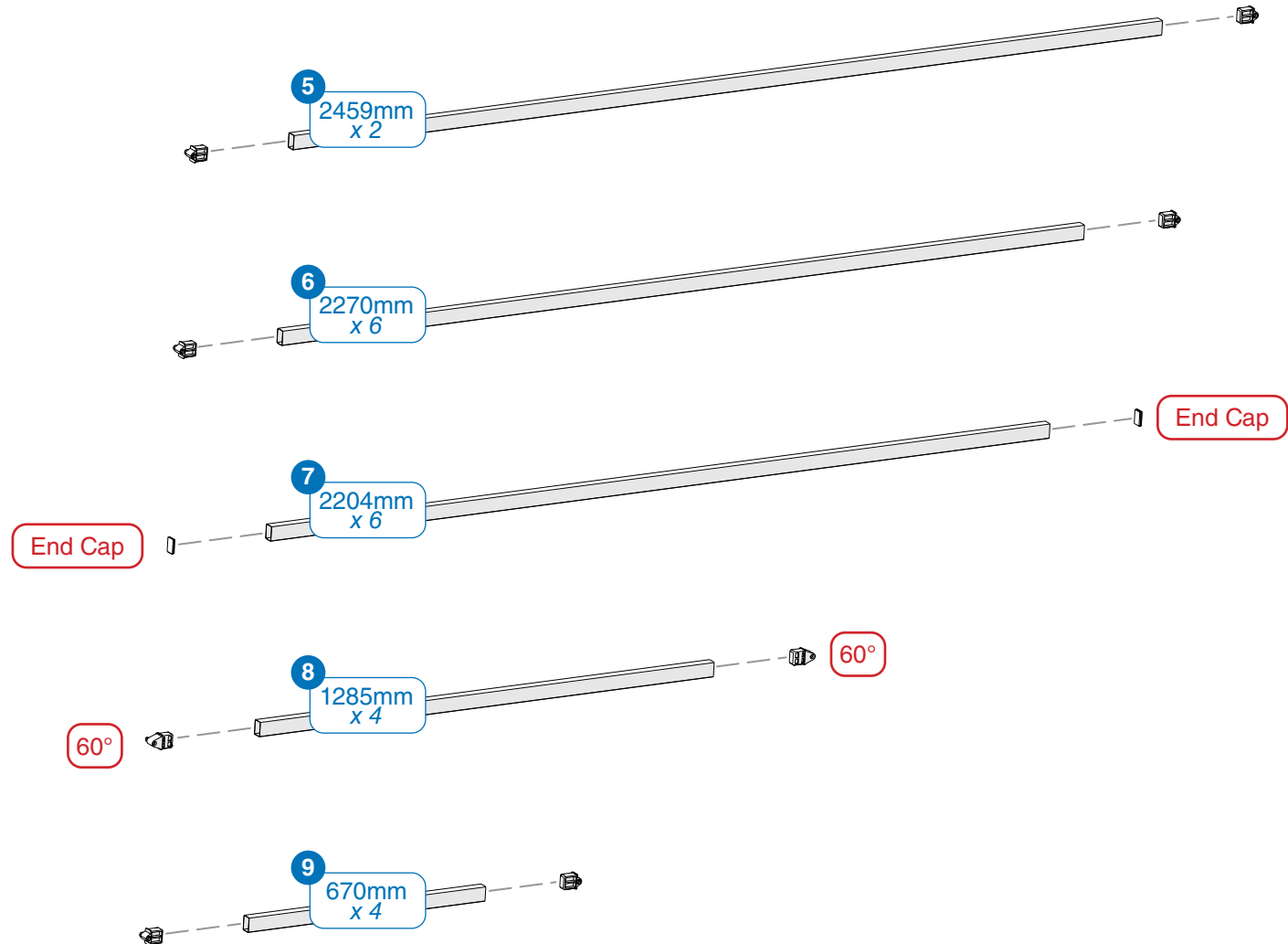
Standard



60°



End Cap



Approximate time required: 2 Hours

# Tee Section Stiffener

Over Bonnet Storage Shelf

User Manual

Read in conjunction with  
Kwiktech Build Guide and  
Kwiktech Tips & Tricks

Designed by

**kwiktech.**

Engineered by

**sbec.** SCHMIDT  
BENTLEY  
ENGINEERING  
CONSULTING

Rating: 275kg per Shelf

Rev 1

This Manual is the sole property of  
Kwiktech Pty Ltd.  
All rights are reserved.

This Manual is designed to be only  
used with Kwiktech  
produced products.

No part of this Manual or the  
Kwiktech product design may be  
copied or reproduced without the  
consent of Kwiktech Pty Ltd.

Construction using Kwiktech  
products may require planning  
approval. Always contact your Local  
Council for the most up-to-date  
rules and regulations for your area.

All dimensions are in millimeters  
(mm)

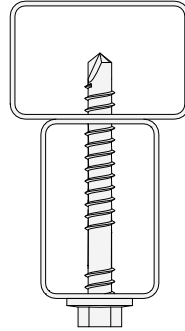
www.kwiktech.com.au  
© Kwiktech Pty Ltd 2021

## Rail Setup

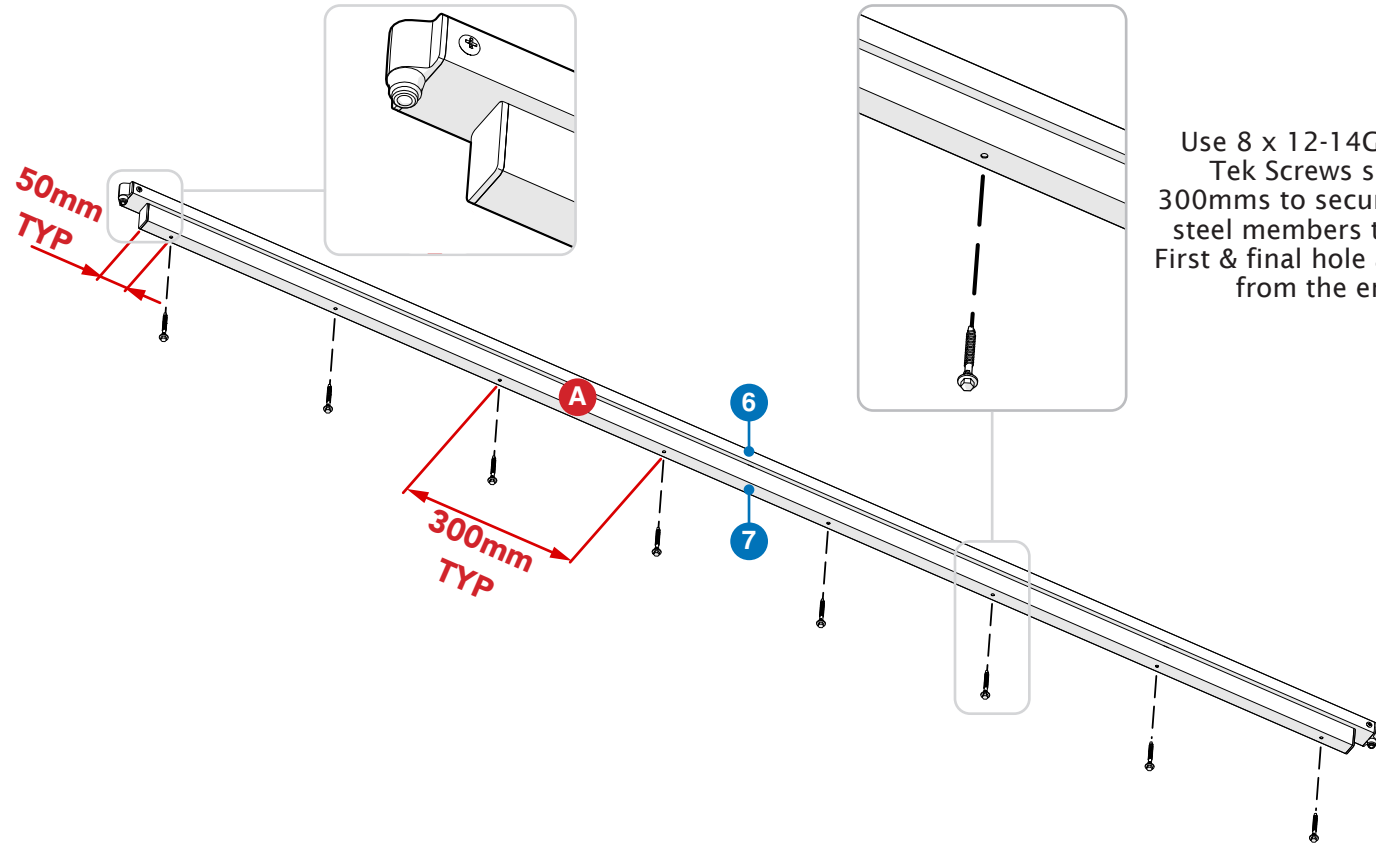
Refer to build guide for  
assembly details.

Mark assembly ID  
on each member.

## MEMBER ORIENTATION



Tee Section End View



Use 8 x 12-14Gx50mm  
Tek Screws spaced  
300mms to secure the two  
steel members together.  
First & final hole are 50mm  
from the ends.

Shelf RHS Tee Stiffener  
x 6 (Now Label **A**)

Approximate time  
required: 2 Hours

# Universal Connector Locations

Over Bonnet Storage Shelf

User Manual

Read in conjunction with  
Kwiktech Build Guide and  
Kwiktech Tips & Tricks

Designed by

**kwiktech.**

Engineered by

**sbec.** SCHMIDT  
BENTLEY  
ENGINEERING  
CONSULTING

Rating: 275kg per Shelf

Rev 1

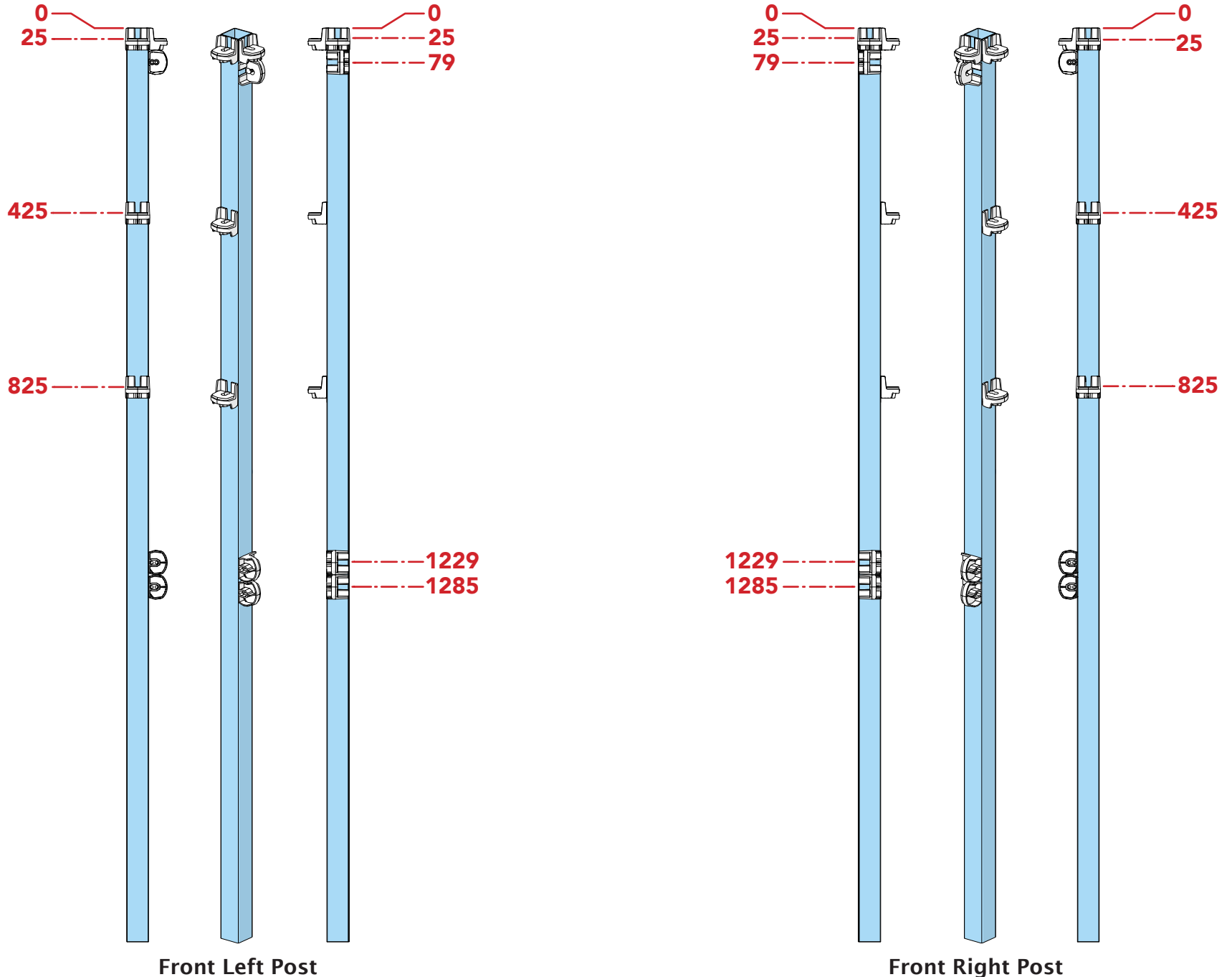
This Manual is the sole property of  
Kwiktech Pty Ltd.  
All rights are reserved.

This Manual is designed to be only  
used with Kwiktech  
produced products.

No part of this Manual or the  
Kwiktech product design may be  
copied or reproduced without the  
consent of Kwiktech Pty Ltd.

Construction using Kwiktech  
products may require planning  
approval. Always contact your Local  
Council for the most up-to-date  
rules and regulations for your area.

All dimensions are in millimeters  
(mm)



Approximate time  
required: 1 Hour



# Universal Connector Locations

## Over Bonnet Storage Shelf

### User Manual

Read in conjunction with  
Kwiktech Build Guide and  
Kwiktech Tips & Tricks

Designed by

**kwiktech.**

Engineered by

**sbec.** SCHMIDT  
BENTLEY  
ENGINEERING  
CONSULTING

Rating: 275kg per Shelf

Rev 1

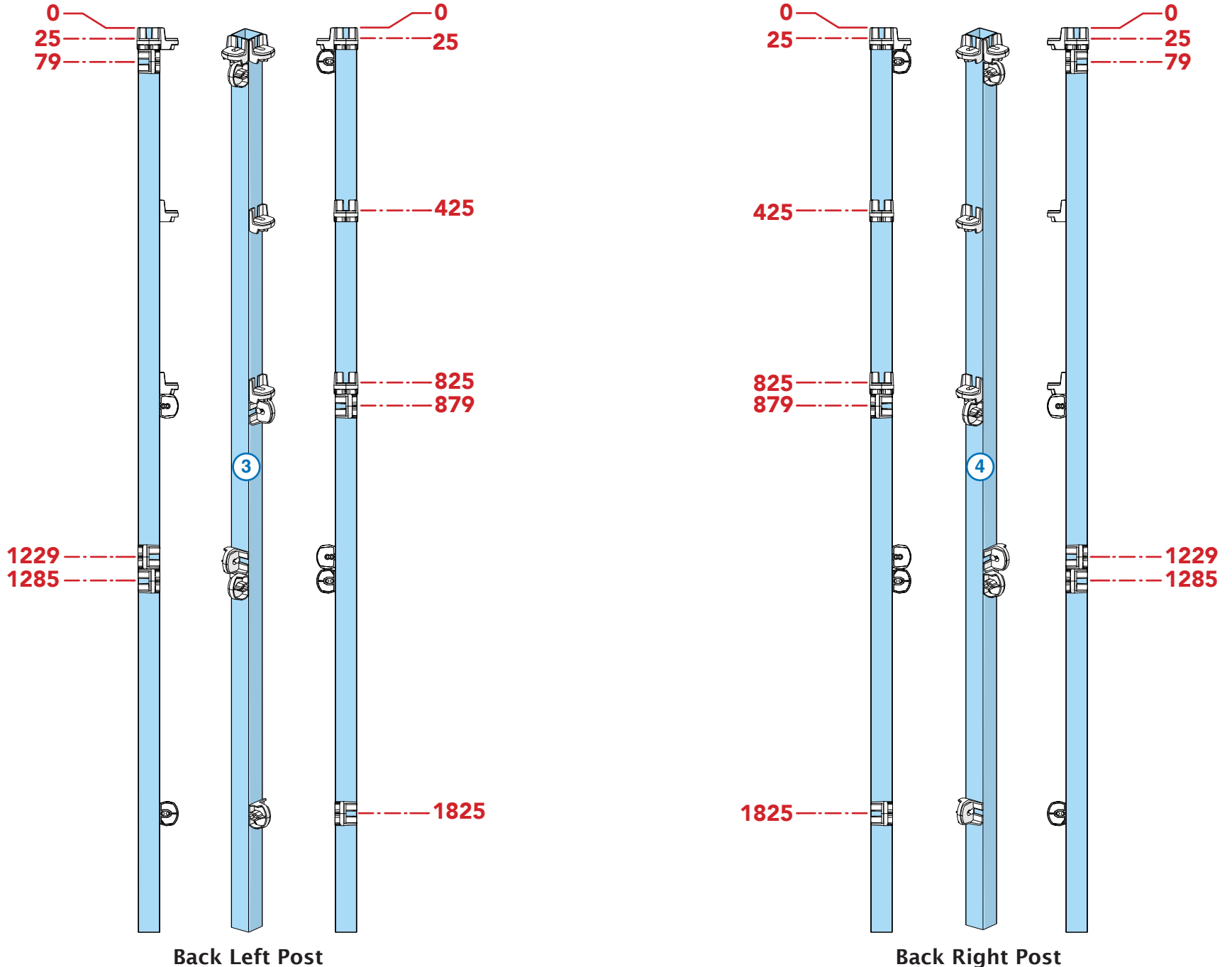
This Manual is the sole property of  
Kwiktech Pty Ltd.  
All rights are reserved.

This Manual is designed to be only  
used with Kwiktech  
produced products.

No part of this Manual or the  
Kwiktech product design may be  
copied or reproduced without the  
consent of Kwiktech Pty Ltd.

Construction using Kwiktech  
products may require planning  
approval. Always contact your Local  
Council for the most up-to-date  
rules and regulations for your area.

All dimensions are in millimeters  
(mm)



Approximate time  
required: 1 Hour

# Shelving Layout

## Over Bonnet Storage Shelf

### User Manual

Read in conjunction with  
Kwiktech Build Guide and  
Kwiktech Tips & Tricks

Designed by

**kwiktech.**

Engineered by

**sbcc.** SCHMIDT  
BENTLEY  
ENGINEERING  
CONSULTING

Rating: 275kg per Shelf

Rev 1

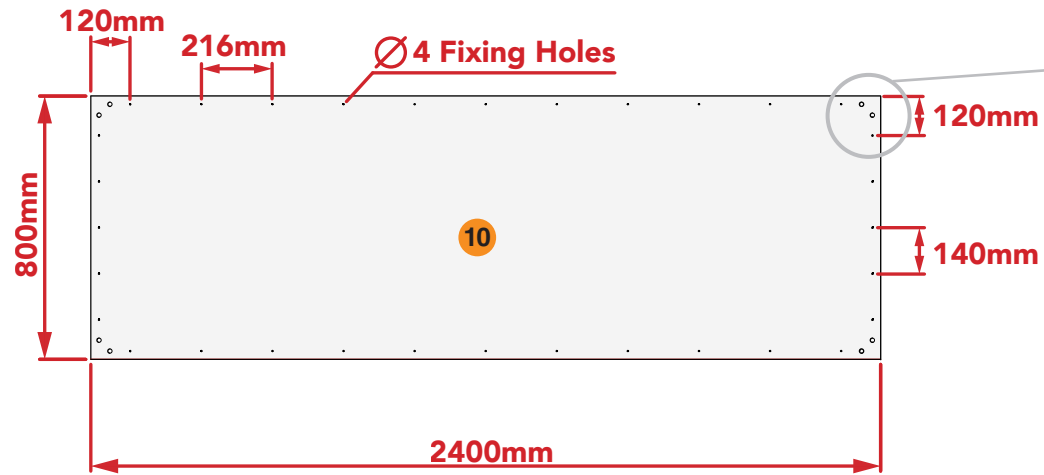
This Manual is the sole property of  
Kwiktech Pty Ltd.  
All rights are reserved.

This Manual is designed to be only  
used with Kwiktech  
produced products.

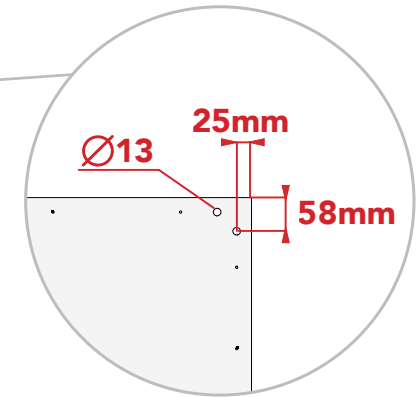
No part of this Manual or the  
Kwiktech product design may be  
copied or reproduced without the  
consent of Kwiktech Pty Ltd.

Construction using Kwiktech  
products may require planning  
approval. Always contact your Local  
Council for the most up-to-date  
rules and regulations for your area.

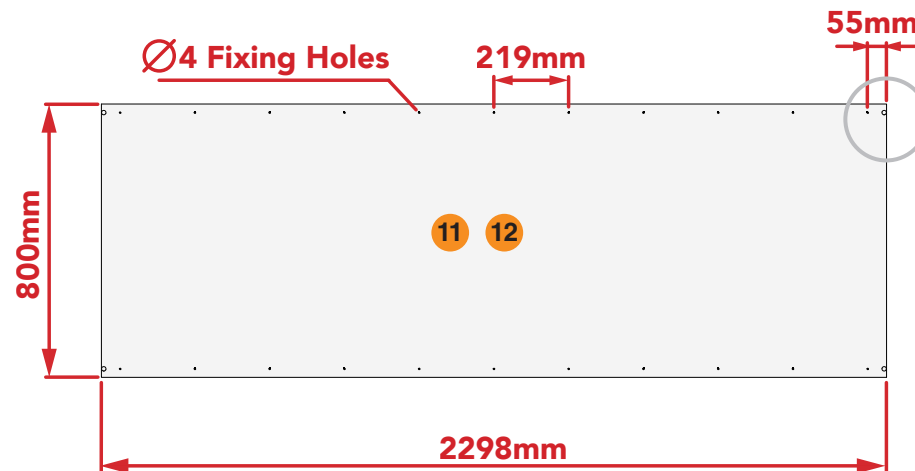
All dimensions are in millimeters  
(mm)



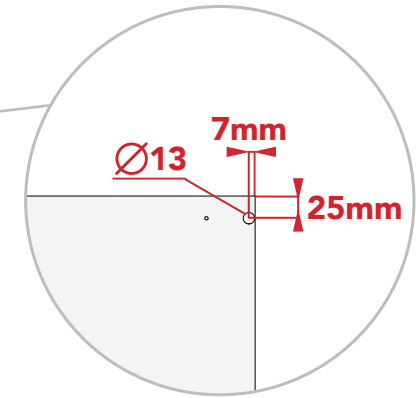
**Top Shelf  
(STRUCTAflor)**



**Top Shelf  
Access Holes**  
Same measurements for  
each corner



**Internal Shelves  
(STRUCTAflor)**



**Internal Shelves  
Access Holes**  
Same measurements for  
each corner

Note: 1 of the Internal shelves will  
be made from 2 halves & butt into  
each other in the middle of the shelf.

# Assembly Sequence

## Over Bonnet Storage Shelf

### User Manual

Read in conjunction with Kwiktech Build Guide and Kwiktech Tips & Tricks

Designed by

**kwiktech.**

Engineered by

**sbec.** SCHMIDT BENTLEY ENGINEERING CONSULTING

Rating: 275kg per Shelf

Rev 1

This Manual is the sole property of Kwiktech Pty Ltd. All rights are reserved.

This Manual is designed to be only used with Kwiktech produced products.

No part of this Manual or the Kwiktech product design may be copied or reproduced without the consent of Kwiktech Pty Ltd.

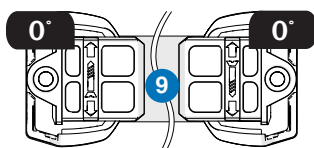
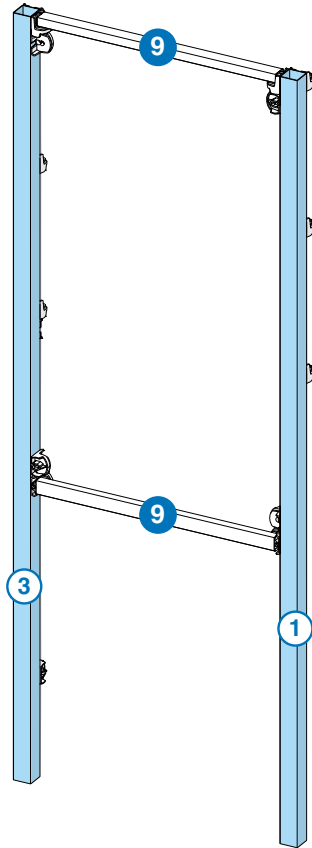
Construction using Kwiktech products may require planning approval. Always contact your Local Council for the most up-to-date rules and regulations for your area.

All dimensions are in millimeters (mm)

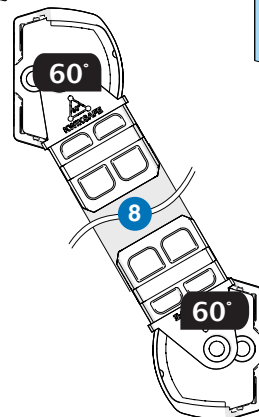
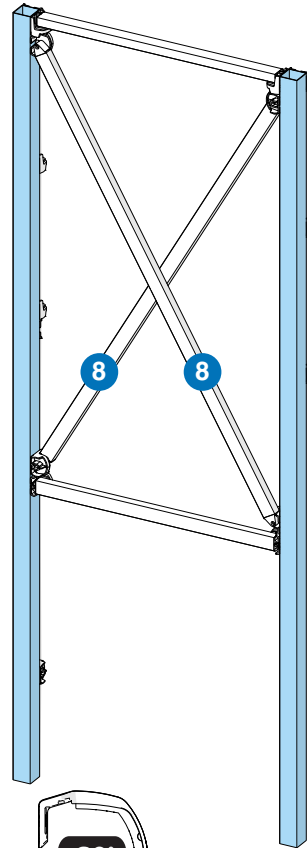
## Build the Walls

Construct on the ground.  
(Images show frames upright for clarity)

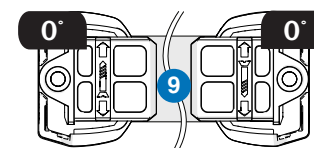
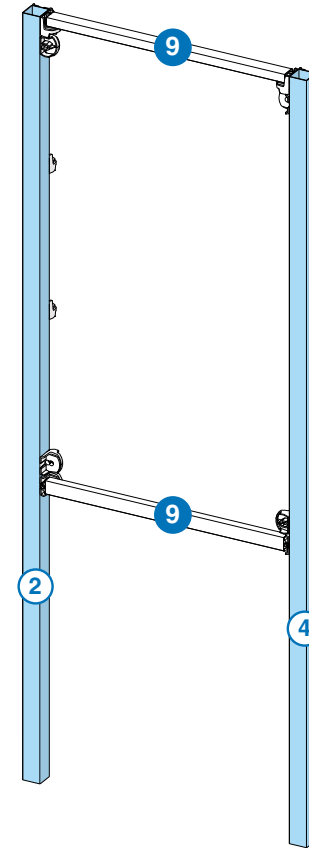
**Step 1 - Left Wall**  
Assemble the 4 rail items below.



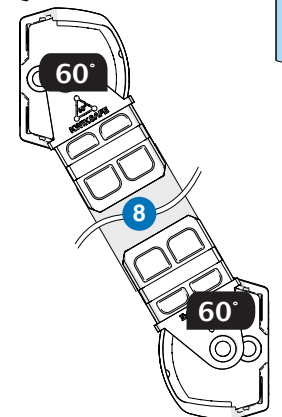
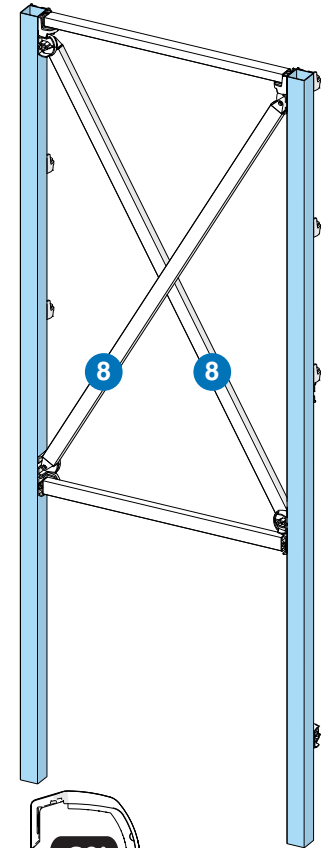
**Step 2 - Left Wall**  
Secure with the 2 rail items below.



**Step 1 - Right Wall**  
Assemble the 4 rail items below.



**Step 2 - Right Wall**  
Secure with the 2 rail items below.



Approximate time required: 0.5 Hours

# Assembly Sequence

## Over Bonnet Storage Shelf

### User Manual

Read in conjunction with  
Kwiktech Build Guide and  
Kwiktech Tips & Tricks

Designed by

**kwiktech.**

Engineered by

**sbec.** SCHMIDT  
BENTLEY  
ENGINEERING  
CONSULTING

Rating: 275kg per Shelf

Rev 1

This Manual is the sole property of  
Kwiktech Pty Ltd.  
All rights are reserved.

This Manual is designed to be only  
used with Kwiktech  
produced products.

No part of this Manual or the  
Kwiktech product design may be  
copied or reproduced without the  
consent of Kwiktech Pty Ltd.

Construction using Kwiktech  
products may require planning  
approval. Always contact your Local  
Council for the most up-to-date  
rules and regulations for your area.

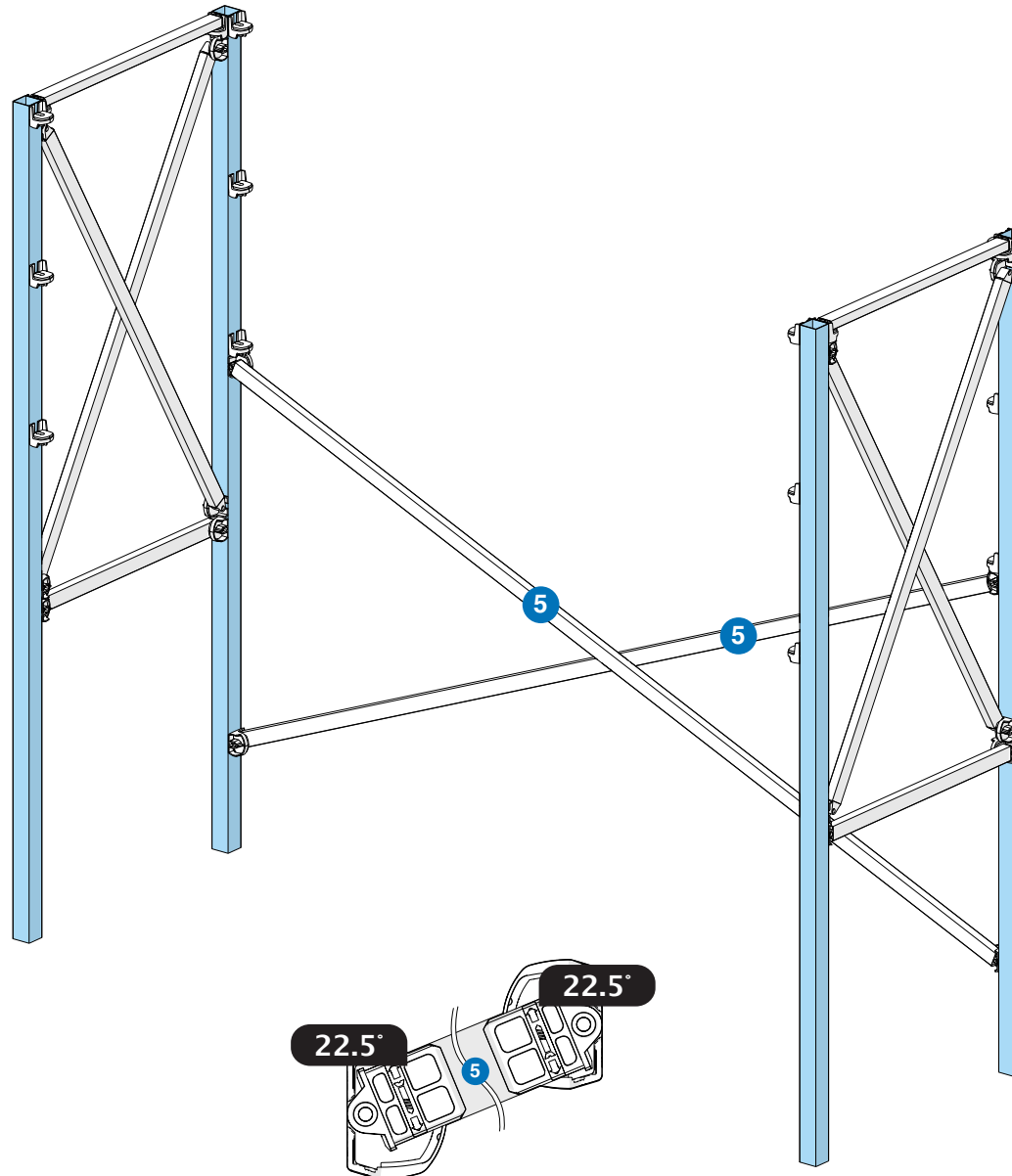
All dimensions are in millimeters  
(mm)

[www.kwiktech.com.au](http://www.kwiktech.com.au)  
© Kwiktech Pty Ltd 2021

## Connect the Walls

### Step 1

Connect the 2 sides with the cross bracing  
on the back of the walls.



Approximate time  
required: 0.25 Hours

# Assembly Sequence

## Over Bonnet Storage Shelf

User Manual

Read in conjunction with  
Kwiktech Build Guide and  
Kwiktech Tips & Tricks

Designed by

**kwiktech.**

Engineered by

**sbec.** SCHMIDT  
BENTLEY  
ENGINEERING  
CONSULTING

Rating: 275kg per Shelf

Rev 1

This Manual is the sole property of  
Kwiktech Pty Ltd.  
All rights are reserved.

This Manual is designed to be only  
used with Kwiktech  
produced products.

No part of this Manual or the  
Kwiktech product design may be  
copied or reproduced without the  
consent of Kwiktech Pty Ltd.

Construction using Kwiktech  
products may require planning  
approval. Always contact your Local  
Council for the most up-to-date  
rules and regulations for your area.

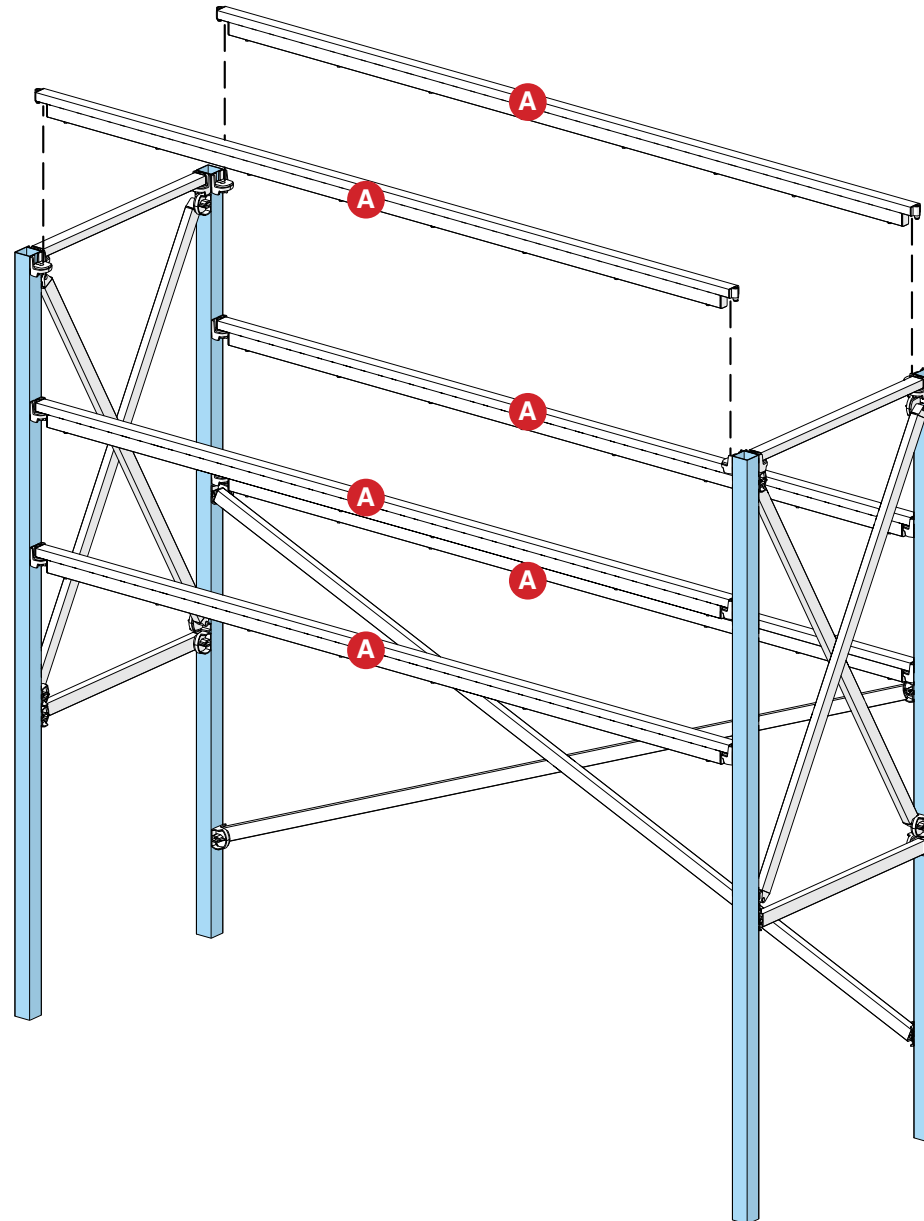
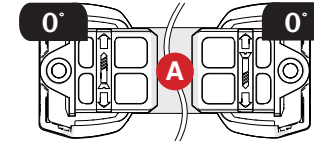
All dimensions are in millimeters  
(mm)

[www.kwiktech.com.au](http://www.kwiktech.com.au)  
© Kwiktech Pty Ltd 2021

## Connect the Walls

### Step 2

Starting with the bottom shelf and working  
your way up, secure the shelf rails into place.



Approximate time  
required: 1 Hour

## Fix the shelves in place

# Shelving

## Over Bonnet Storage Shelf

### User Manual

Read in conjunction with  
Kwiktech Build Guide and  
Kwiktech Tips & Tricks

Designed by

**kwiktech.**

Engineered by

**sbec.** SCHMIDT  
BENTLEY  
ENGINEERING  
CONSULTING

Rating: 275kg per Shelf

Rev 1

This Manual is the sole property of  
Kwiktech Pty Ltd.  
All rights are reserved.

This Manual is designed to be only  
used with Kwiktech  
produced products.

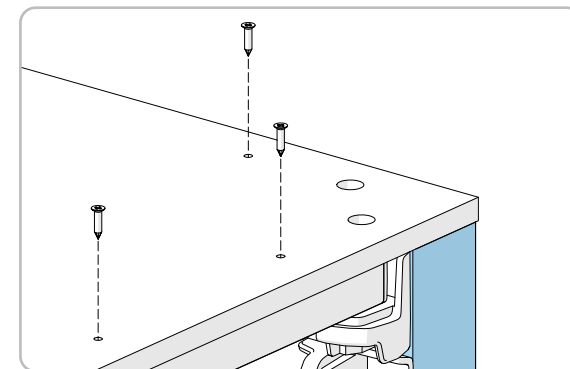
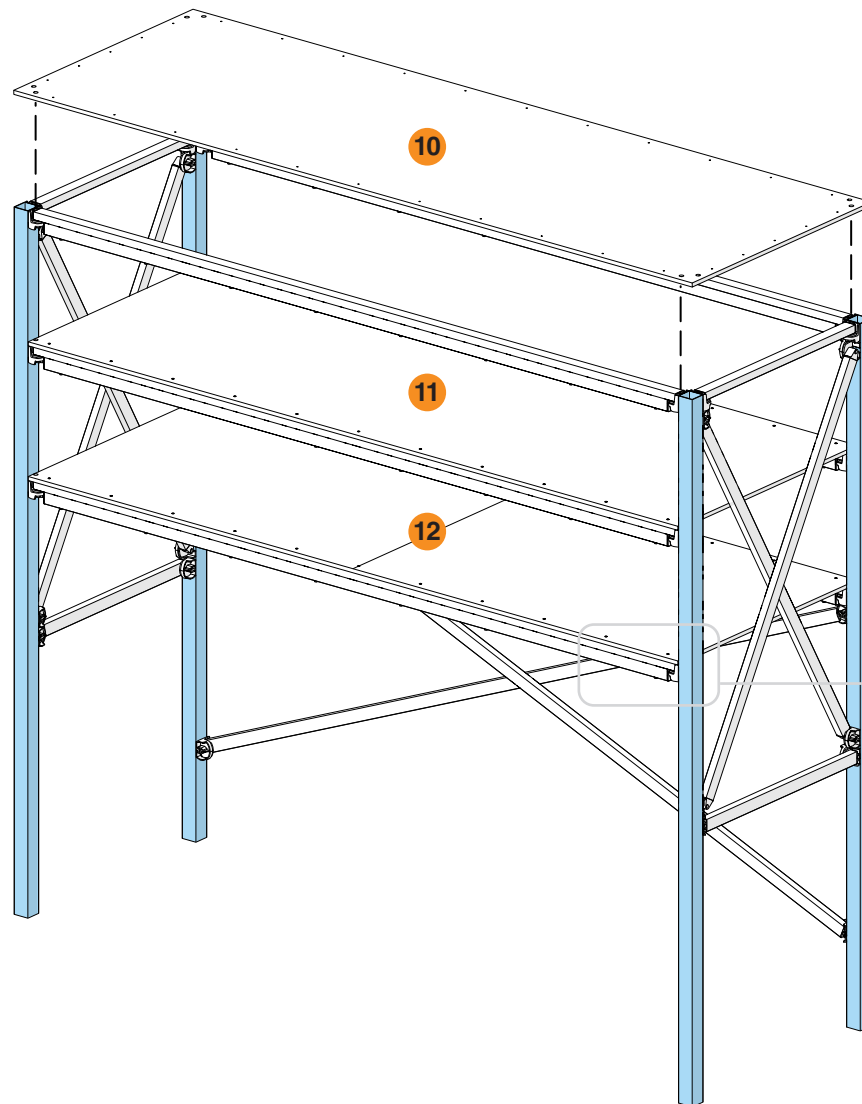
No part of this Manual or the  
Kwiktech product design may be  
copied or reproduced without the  
consent of Kwiktech Pty Ltd.

Construction using Kwiktech  
products may require planning  
approval. Always contact your Local  
Council for the most up-to-date  
rules and regulations for your area.

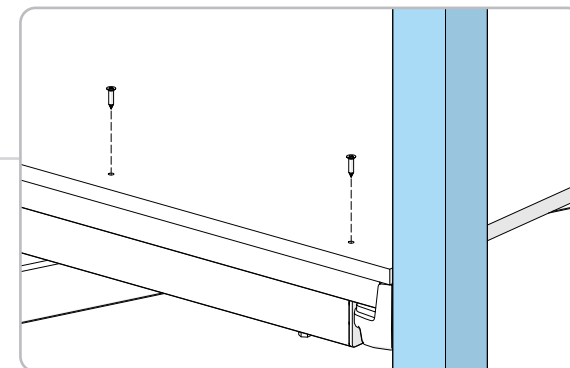
All dimensions are in millimeters  
(mm)

### Step 1

Starting with the bottom shelf and working your  
way up, fix the STRUCTAflor shelves to the rails.



Fix the top shelf to the rails with  
10Gx38mm philips head screws, 11  
along the both long sides and 5 along  
the both of the shorter sides.



Fix the bottom & middle shelf to the  
rails with 11 x 10Gx38mm philips head  
screws along the long sides.

Approximate time  
required: 1 Hour

# Potential Example

## Over Bonnet Storage Shelf

### User Manual

Read in conjunction with  
Kwiktech Build Guide and  
Kwiktech Tips & Tricks

Designed by

**kwiktech.**

Engineered by

**sbec.** SCHMIDT  
BENTLEY  
ENGINEERING  
CONSULTING

Rating: 275kg per Shelf

Rev 1

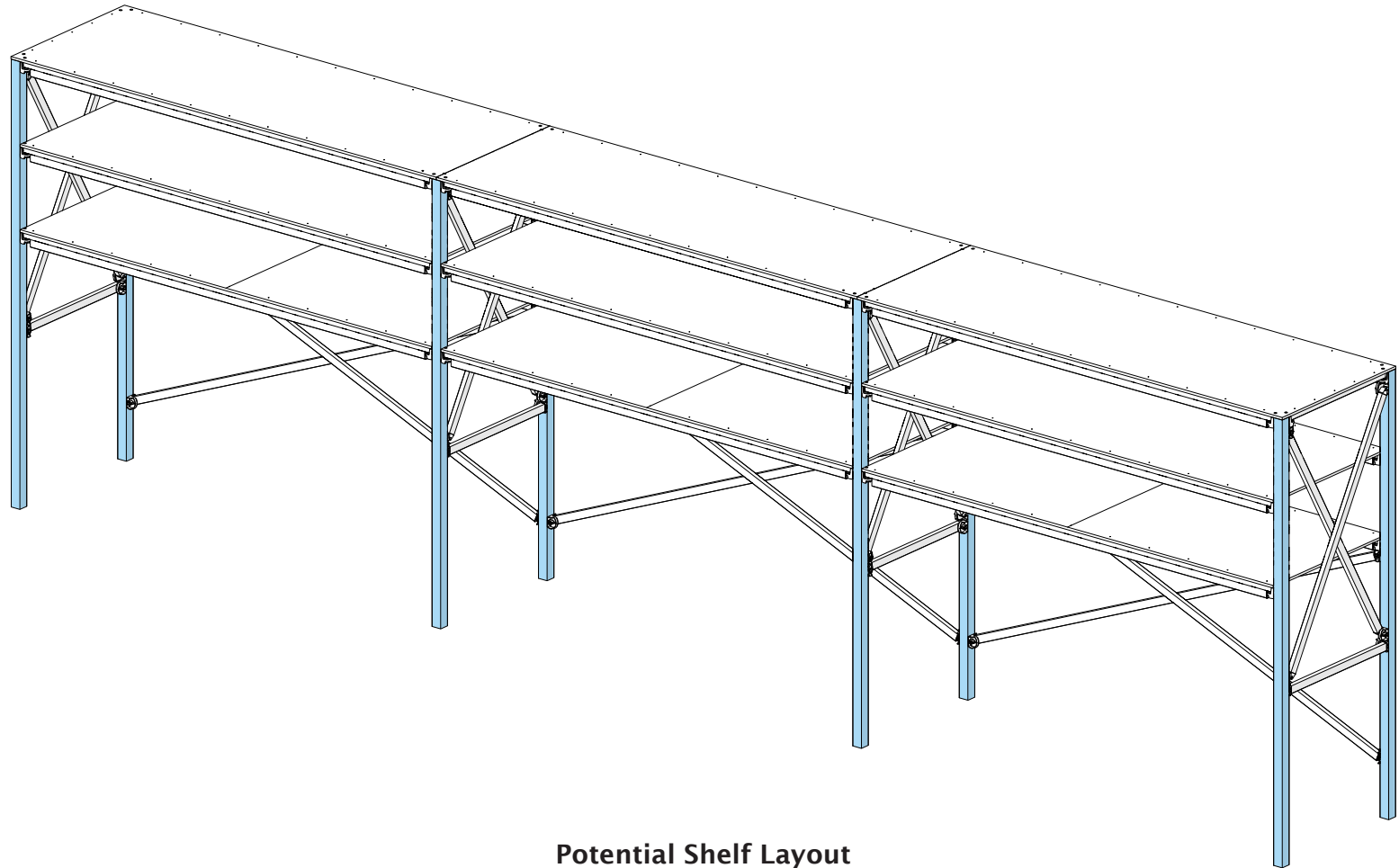
This Manual is the sole property of  
Kwiktech Pty Ltd.  
All rights are reserved.

This Manual is designed to be only  
used with Kwiktech  
produced products.

No part of this Manual or the  
Kwiktech product design may be  
copied or reproduced without the  
consent of Kwiktech Pty Ltd.

Construction using Kwiktech  
products may require planning  
approval. Always contact your Local  
Council for the most up-to-date  
rules and regulations for your area.

All dimensions are in millimeters  
(mm)



**Potential Shelf Layout**

# Shed Frame Blueprint Front/Back

## Over Bonnet Storage Shelf

### User Manual

Read in conjunction with  
Kwiktech Build Guide and  
Kwiktech Tips & Tricks

Designed by

**kwiktech.**

Engineered by

**sbec.** SCHMIDT  
BENTLEY  
ENGINEERING  
CONSULTING

Rating: 275kg per Shelf

Rev 1

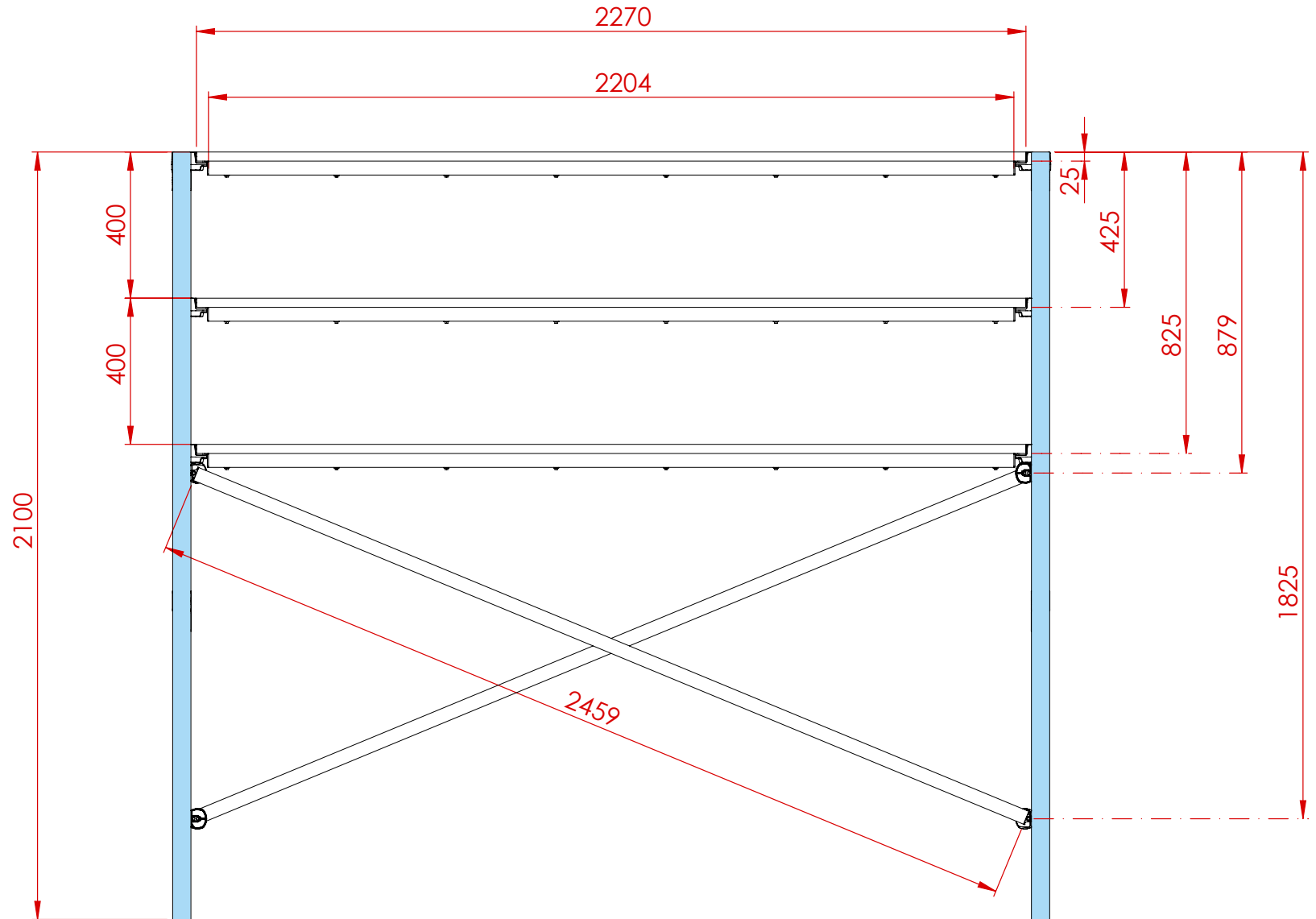
This Manual is the sole property of  
Kwiktech Pty Ltd.  
All rights are reserved.

This Manual is designed to be only  
used with Kwiktech  
produced products.

No part of this Manual or the  
Kwiktech product design may be  
copied or reproduced without the  
consent of Kwiktech Pty Ltd.

Construction using Kwiktech  
products may require planning  
approval. Always contact your Local  
Council for the most up-to-date  
rules and regulations for your area.

All dimensions are in millimeters  
(mm)





# Shed Frame Blueprint Sides

## Over Bonnet Storage Shelf

### User Manual

Read in conjunction with  
Kwiktech Build Guide and  
Kwiktech Tips & Tricks

Designed by

**kwik tech.**

Engineered by

**sbcc.** SCHMIDT  
BENTLEY  
ENGINEERING  
CONSULTING

Rating: 275kg per Shelf

Rev 1

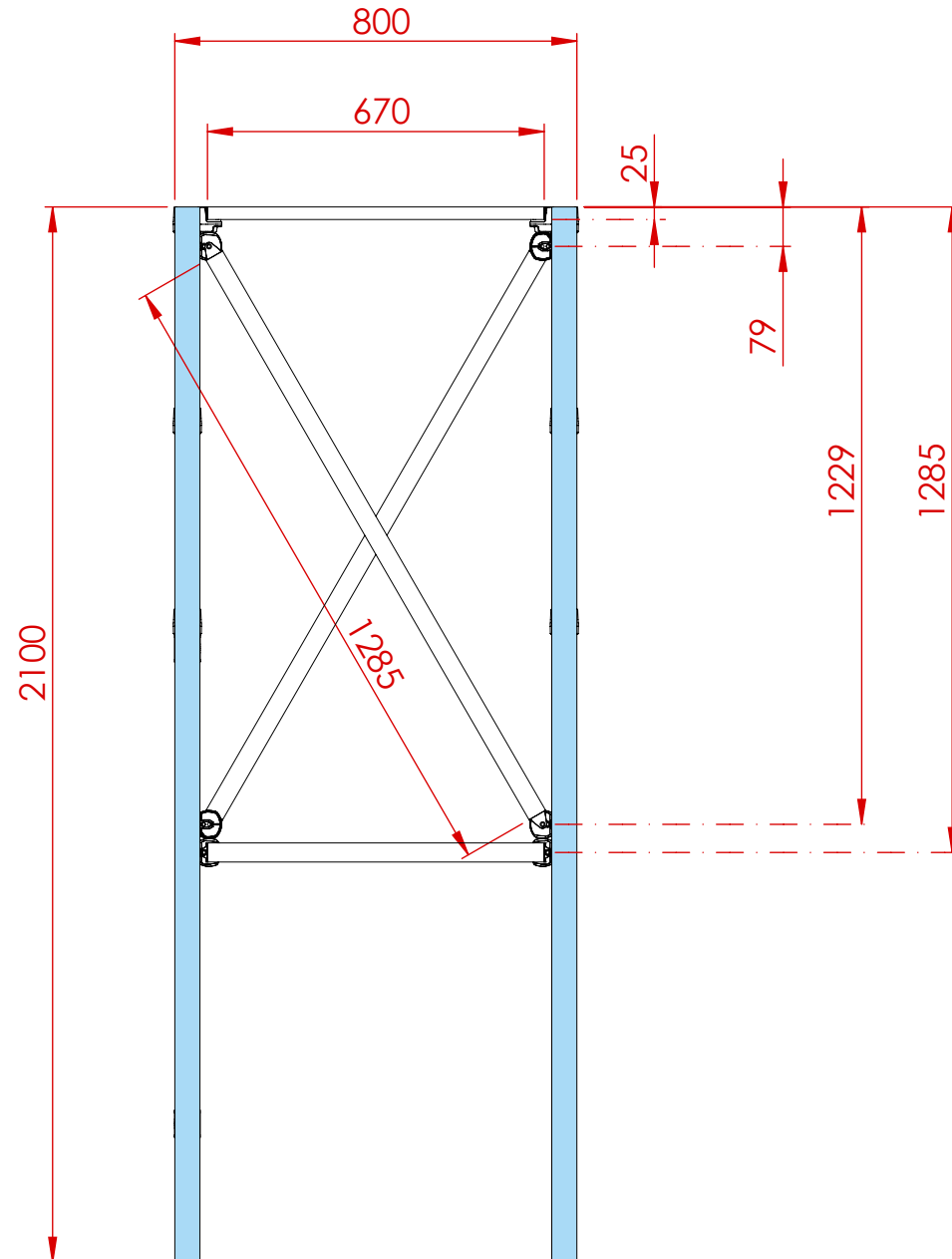
This Manual is the sole property of  
Kwiktech Pty Ltd.  
All rights are reserved.

This Manual is designed to be only  
used with Kwiktech  
produced products.

No part of this Manual or the  
Kwiktech product design may be  
copied or reproduced without the  
consent of Kwiktech Pty Ltd.

Construction using Kwiktech  
products may require planning  
approval. Always contact your Local  
Council for the most up-to-date  
rules and regulations for your area.

All dimensions are in millimeters  
(mm)



# Shed Frame Blueprint Top

## Over Bonnet Storage Shelf

### User Manual

Read in conjunction with  
Kwiktech Build Guide and  
Kwiktech Tips & Tricks

Designed by

**kwik tech.**

Engineered by

**sbec.** SCHMIDT  
BENTLEY  
ENGINEERING  
CONSULTING

Rating: 275kg per Shelf

Rev 1

This Manual is the sole property of  
Kwiktech Pty Ltd.  
All rights are reserved.

This Manual is designed to be only  
used with Kwiktech  
produced products.

No part of this Manual or the  
Kwiktech product design may be  
copied or reproduced without the  
consent of Kwiktech Pty Ltd.

Construction using Kwiktech  
products may require planning  
approval. Always contact your Local  
Council for the most up-to-date  
rules and regulations for your area.

All dimensions are in millimeters  
(mm)

