

Over Bonnet Storage Shelf

Over Bonnet Storage Shelf

User Manual

Read in conjunction with
Kwiktech Build Guide and
Kwiktech Tips & Tricks

Designed by

kwiktech.

Engineered by

sbec. SCHMIDT
BENTLEY
ENGINEERING
CONSULTING

Rating: 275kg per Shelf

Rev 1

This Manual is the sole property of
Kwiktech Pty Ltd.
All rights are reserved.

This Manual is designed to be only
used with Kwiktech
produced products.

No part of this Manual or the
Kwiktech product design may be
copied or reproduced without the
consent of Kwiktech Pty Ltd.

Construction using Kwiktech
products may require planning
approval. Always contact your Local
Council for the most up-to-date
rules and regulations for your area.

All dimensions are in millimeters
(mm)



General Arrangement

Over Bonnet Storage Shelf

User Manual

Read in conjunction with
Kwiktech Build Guide and
Kwiktech Tips & Tricks

Designed by

kwiktech.

Engineered by

sbec. SCHMIDT
BENTLEY
ENGINEERING
CONSULTING

Rating: 275kg per Shelf

Rev 1

This Manual is the sole property of
Kwiktech Pty Ltd.
All rights are reserved.

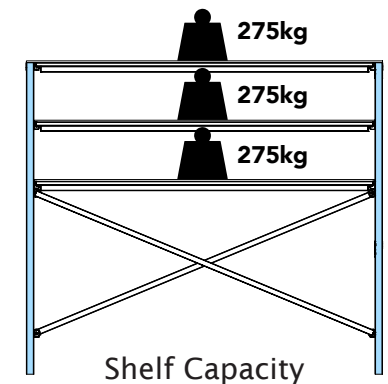
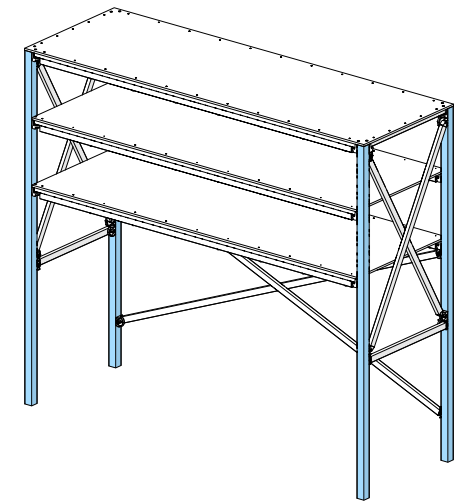
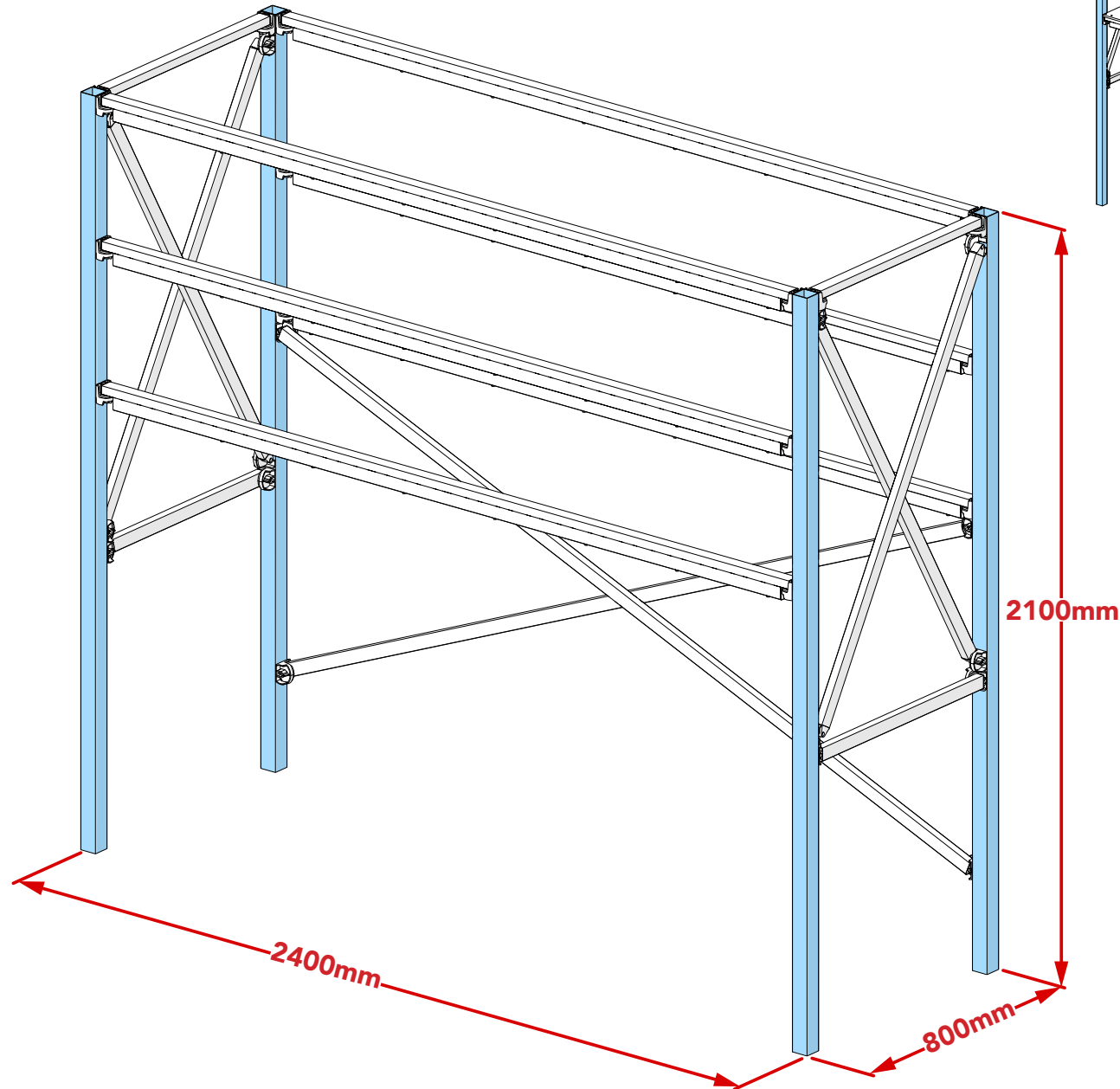
This Manual is designed to be only
used with Kwiktech
produced products.

No part of this Manual or the
Kwiktech product design may be
copied or reproduced without the
consent of Kwiktech Pty Ltd.

Construction using Kwiktech
products may require planning
approval. Always contact your Local
Council for the most up-to-date
rules and regulations for your area.

All dimensions are in millimeters
(mm)

www.kwiktech.com.au
© Kwiktech Pty Ltd 2021



Materials List

Over Bonnet Storage Shelf

User Manual

Read in conjunction with Kwiktech Build Guide and Kwiktech Tips & Tricks

Designed by



Engineered by



Rating: 275kg per Shelf

Rev 1

This Manual is the sole property of Kwiktech Pty Ltd. All rights are reserved.

This Manual is designed to be only used with Kwiktech produced products.

No part of this Manual or the Kwiktech product design may be copied or reproduced without the consent of Kwiktech Pty Ltd.

Construction using Kwiktech products may require planning approval. Always contact your Local Council for the most up-to-date rules and regulations for your area.

All dimensions are in millimeters (mm)

KWIKTECH KITS

ITEM	LENGTH	COLOUR	QUANTITY	RESELLER PRICE
Kwiktech DIY Square Kit (NOTE: Some items will not be used)	-	-	1	
Kwiktech DIY Creator Kit (NOTE: Some items will not be used)	-	-	1	

NON KWIKTECH ITEMS - STEEL

ITEM	ITEM ID #	ASSEMBLY ID #	LENGTH	COLOUR	QUANTITY	RESELLER PRICE
SHS 50x50x1.6mm	① ② ③ ④		2100	Galv	4	
RHS 38x25x1.2mm	⑤		2459		2	
RHS 38x25x1.2mm	⑥	A	2270		6	
RHS 38x25x1.2mm	⑦	A	2204		6	
RHS 38x25x1.2mm	⑧		1285		4	
RHS 38x25x1.2mm	⑨		670		4	

NON KWIKTECH ITEMS - OTHER

ITEM	ITEM ID #	LENGTH	COLOUR	QUANTITY	RESELLER PRICE
STRUCTAflor 3600x800x1.9mm	⑩ ⑪ ⑫	3600	-	2	
Hex Head Metal Roofing Tek Screw 12-14G		50	Galv	48	
Metal Screw Countersunk Head Phillips Drive 10G		38	Galv	76	
Plastic End Stop		-	Black	12	
				Sub-Total	
				GST	
				Shipping	
				Total Cost	

Materials List

Over Bonnet Storage Shelf

User Manual

Read in conjunction with
Kwiktech Build Guide and
Kwiktech Tips & Tricks

Designed by

kwiktech.

Engineered by

sbec. SCHMIDT
BENTLEY
ENGINEERING
CONSULTING

Rating: 275kg per Shelf

Rev 1

This Manual is the sole property of
Kwiktech Pty Ltd.
All rights are reserved.

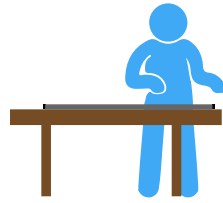
This Manual is designed to be only
used with Kwiktech
produced products.

No part of this Manual or the
Kwiktech product design may be
copied or reproduced without the
consent of Kwiktech Pty Ltd.

Construction using Kwiktech
products may require planning
approval. Always contact your Local
Council for the most up-to-date
rules and regulations for your area.

All dimensions are in millimeters
(mm)

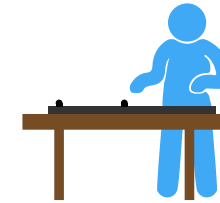
Build Preparation



Rail Inserts



Extra Strong Rails



**Universal
Connectors**

KWIKTECH FIXINGS & ACCESSORIES

ITEM	QUANTITY	ITEM	QUANTITY
Post Connector (KT-P-001)	0	10G x 16 Self Drilling Wafer Head Screw	200
Universal Connector (KT-P-002)	32	M6 x 40 Socket Head Cap Screw - Zinc	32
Rail Inserts (KT-P-003)	24	M6 x 20 Hex Head Bolt - Galv	0
60° Rail Inserts (KT-P-004)	8	M6 Nut - Galv	0
Star Picket Guide (KT-P-005)	0	Kwiktech 2mm Displacement Plate	0
Post Cap (KT-P-006)	0	Right Angle Bracket - Zinc	0
Tension Strapping 0.8 x 30 x 85mm	0	Assembly Wedge - Rubber	0
Tension Strapping 0.8x 30 x 95mm	0	10G x 16 Self Drilling Small Head Flat Top Screw	0
Tension Strapping 0.8 x 30 x 135mm	0		
Tension Strapping 0.8 x 30 x 250mm	0		

HOLLOW METAL

ITEM	TOTAL LENGTH
Duragal 50x50x1.6mm	8.4m
Duragal 38x25x1.2mm	38m

**FOR
INFORMATION
ONLY**

Member Locations

Over Bonnet Storage Shelf

User Manual

Read in conjunction with
Kwiktech Build Guide and
Kwiktech Tips & Tricks

Designed by

kwiktech.

Engineered by

sbec. SCHMIDT
BENTLEY
ENGINEERING
CONSULTING

Rating: 275kg per Shelf

Rev 1

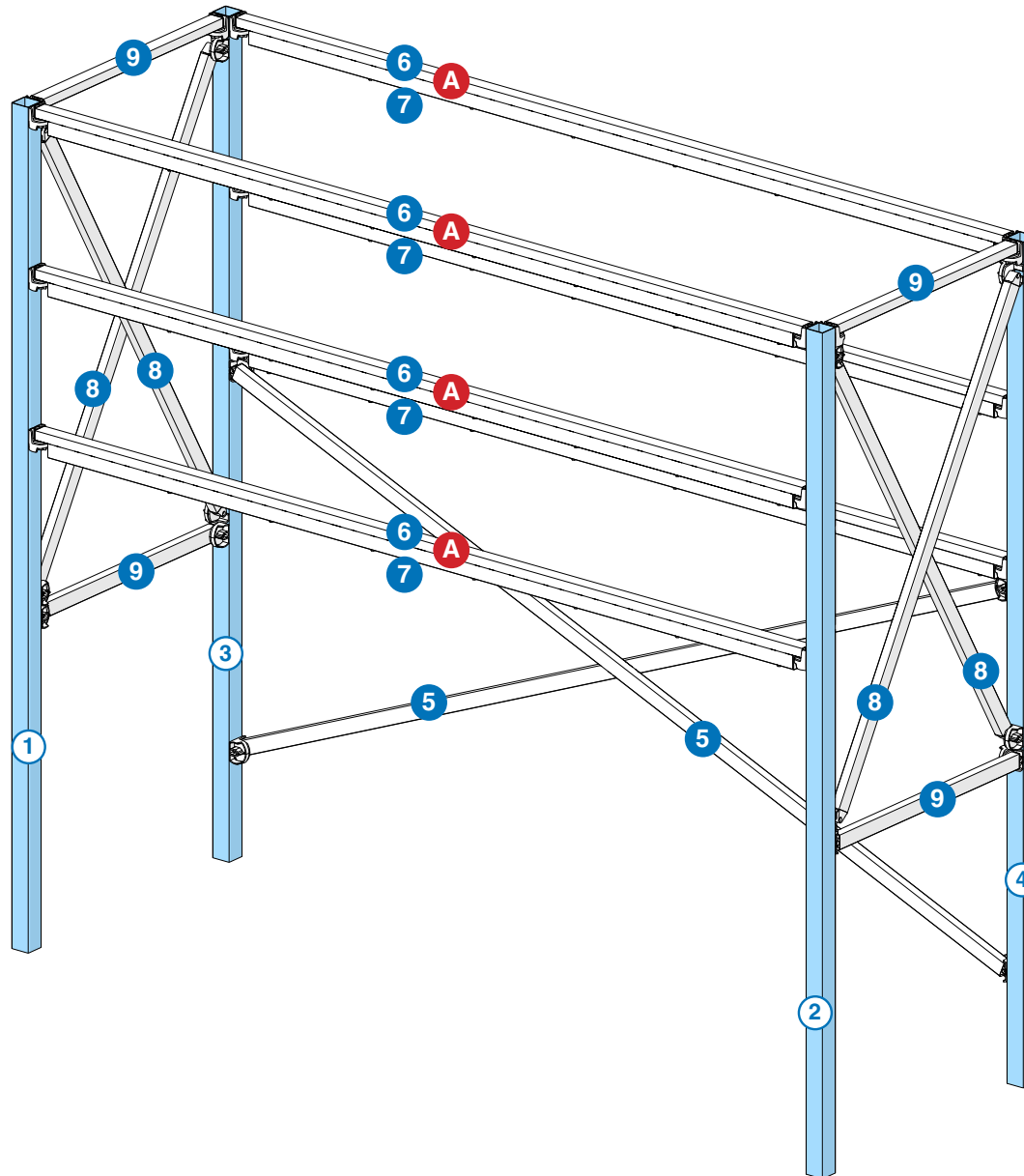
This Manual is the sole property of
Kwiktech Pty Ltd.
All rights are reserved.

This Manual is designed to be only
used with Kwiktech
produced products.

No part of this Manual or the
Kwiktech product design may be
copied or reproduced without the
consent of Kwiktech Pty Ltd.

Construction using Kwiktech
products may require planning
approval. Always contact your Local
Council for the most up-to-date
rules and regulations for your area.

All dimensions are in millimeters
(mm)



Potential Example

Over Bonnet Storage Shelf

User Manual

Read in conjunction with
Kwiktech Build Guide and
Kwiktech Tips & Tricks

Designed by

kwiktech.

Engineered by

sbec. SCHMIDT
BENTLEY
ENGINEERING
CONSULTING

Rating: 275kg per Shelf

Rev 1

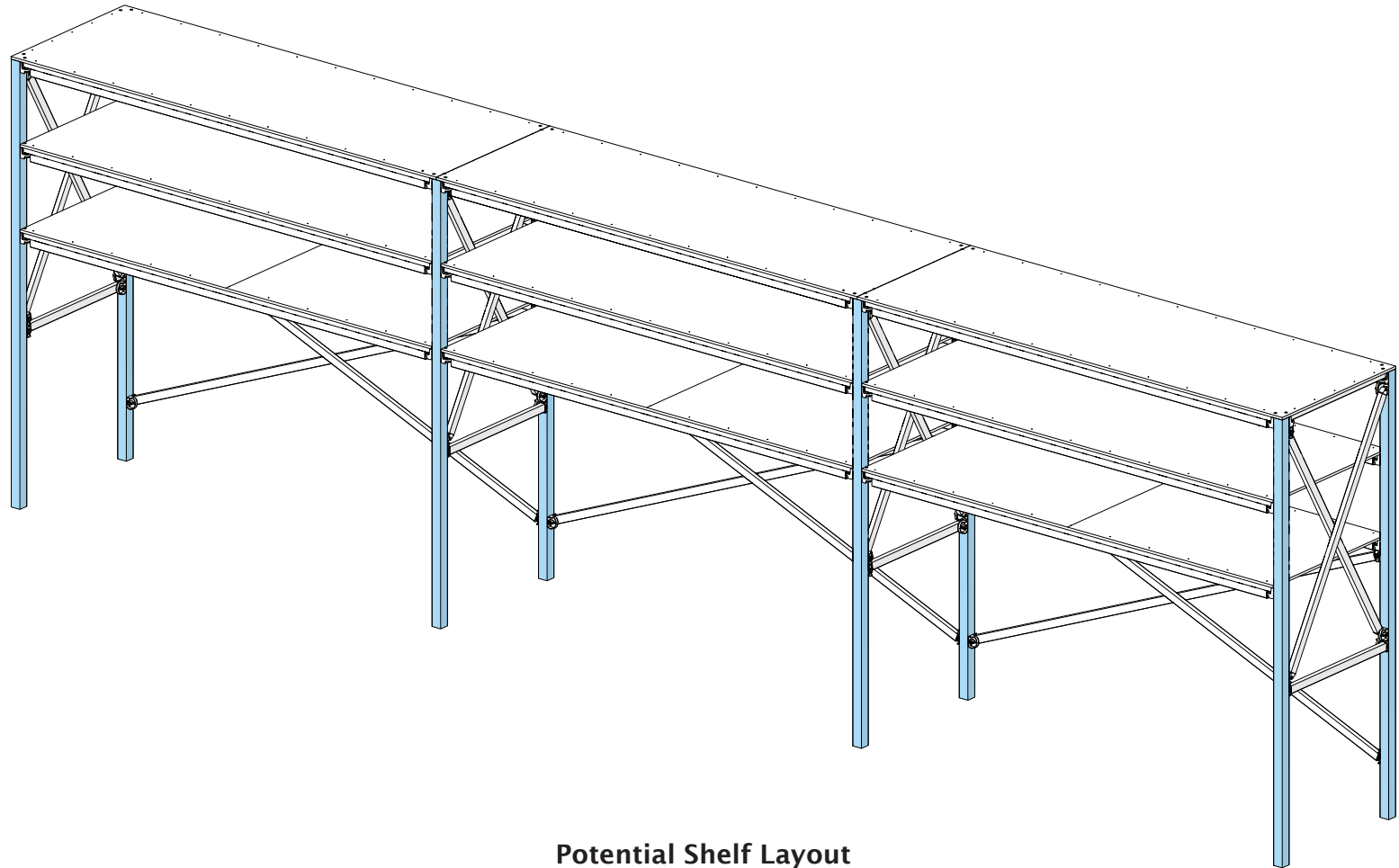
This Manual is the sole property of
Kwiktech Pty Ltd.
All rights are reserved.

This Manual is designed to be only
used with Kwiktech
produced products.

No part of this Manual or the
Kwiktech product design may be
copied or reproduced without the
consent of Kwiktech Pty Ltd.

Construction using Kwiktech
products may require planning
approval. Always contact your Local
Council for the most up-to-date
rules and regulations for your area.

All dimensions are in millimeters
(mm)



Potential Shelf Layout