

# 'The Classic'

3m x 3m x 2.45m Shed

Region A

*User Manual*

Read in conjunction with  
Kwiktech Build Guide and  
Kwiktech Tips & Tricks

Designed by

**kwiktech.**

Engineered by

**sbec.** SCHMIDT  
BENTLEY  
ENGINEERING  
CONSULTING

Rating: Region A

Rev 2.1

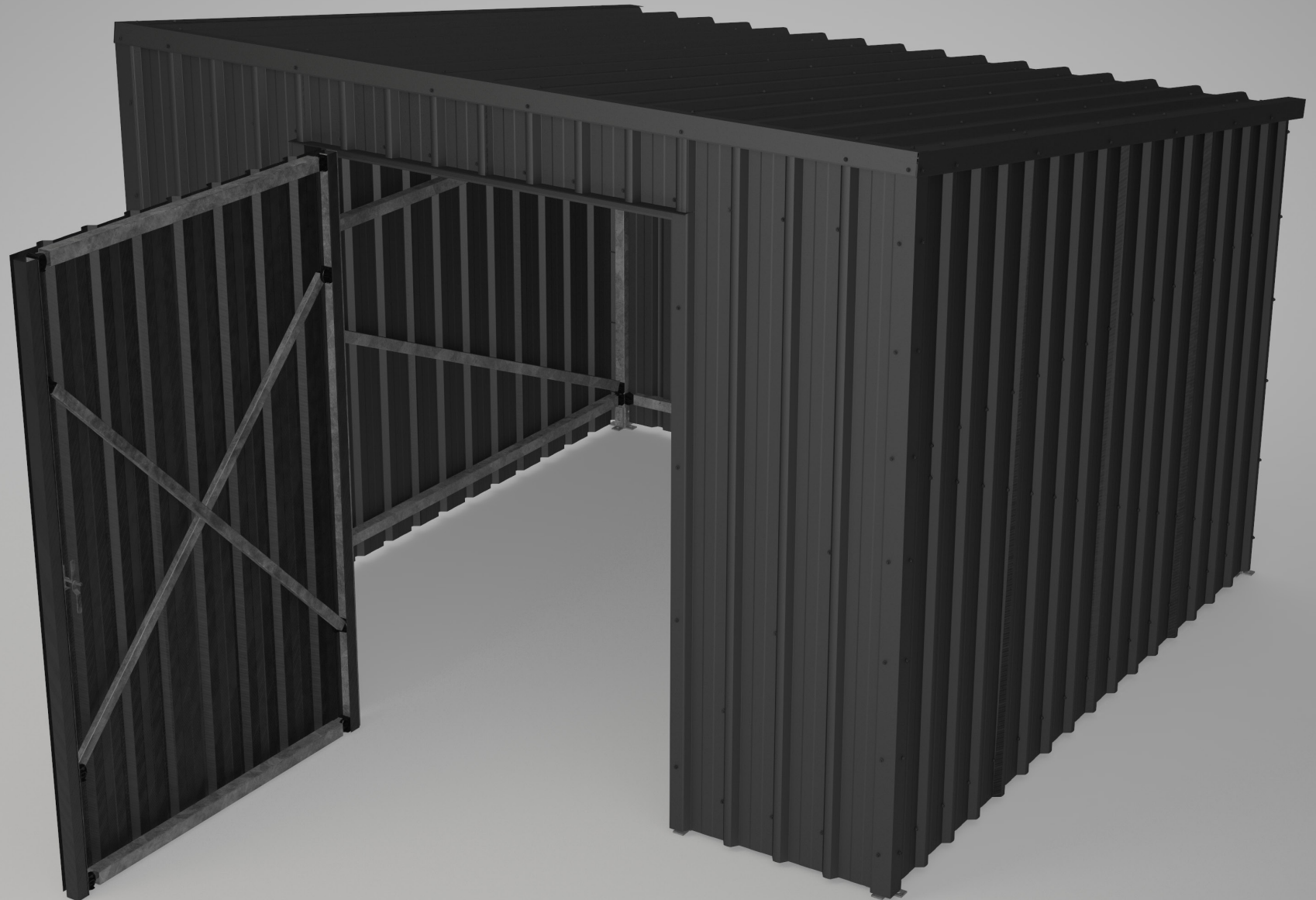
This Manual is the sole property of  
Kwiktech Pty Ltd.  
All rights are reserved.

This Manual is designed to be only  
used with Kwiktech  
produced products.

No part of this Manual or the  
Kwiktech product design may be  
copied or reproduced without the  
consent of Kwiktech Pty Ltd.

Construction using Kwiktech  
products may require planning  
approval. Always contact your Local  
Council for the most up-to-date  
rules and regulations for your area.

All dimensions are in millimeters  
(mm)



# 'The Classic'

3m x 3m x 2.45m Shed

Region A

User Manual

Read in conjunction with  
Kwiktech Build Guide and  
Kwiktech Tips & Tricks

Designed by

**kwiktech.**

Engineered by

**sbec.** SCHMIDT  
BENTLEY  
ENGINEERING  
CONSULTING

Rating: Region A

Rev 2.1

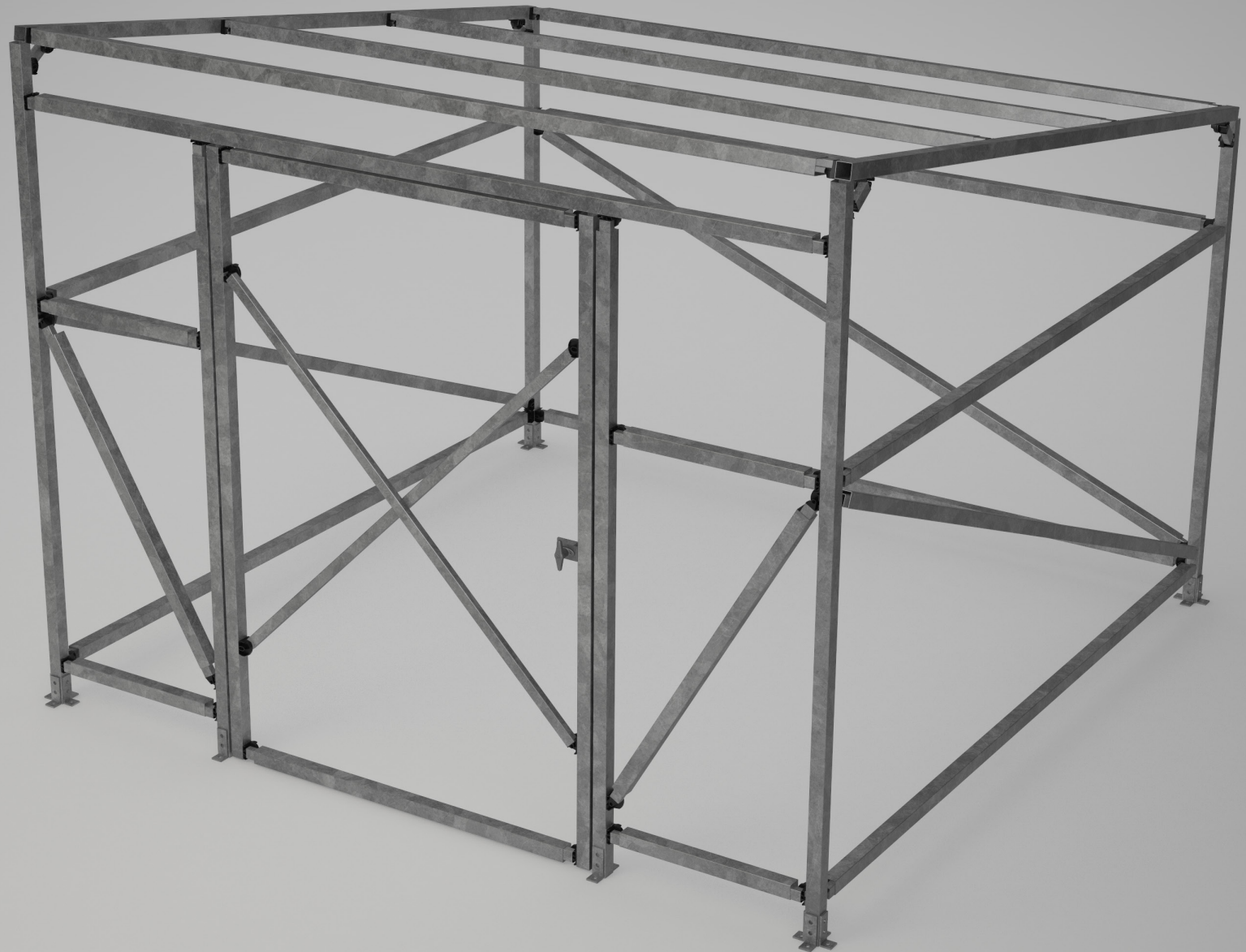
This Manual is the sole property of  
Kwiktech Pty Ltd.  
All rights are reserved.

This Manual is designed to be only  
used with Kwiktech  
produced products.

No part of this Manual or the  
Kwiktech product design may be  
copied or reproduced without the  
consent of Kwiktech Pty Ltd.

Construction using Kwiktech  
products may require planning  
approval. Always contact your Local  
Council for the most up-to-date  
rules and regulations for your area.

All dimensions are in millimeters  
(mm)



[www.kwiktech.com.au](http://www.kwiktech.com.au)

© Kwiktech Pty Ltd 2022

# General Arrangement

'The Classic'

3m x 3m x 2.45m Shed

Region A

User Manual

Read in conjunction with  
Kwiktech Build Guide and  
Kwiktech Tips & Tricks

Designed by

**kwiktech.**

Engineered by

**sbec.** SCHMIDT  
BENTLEY  
ENGINEERING  
CONSULTING

Rating: Region A

Rev 2.1

This Manual is the sole property of  
Kwiktech Pty Ltd.  
All rights are reserved.

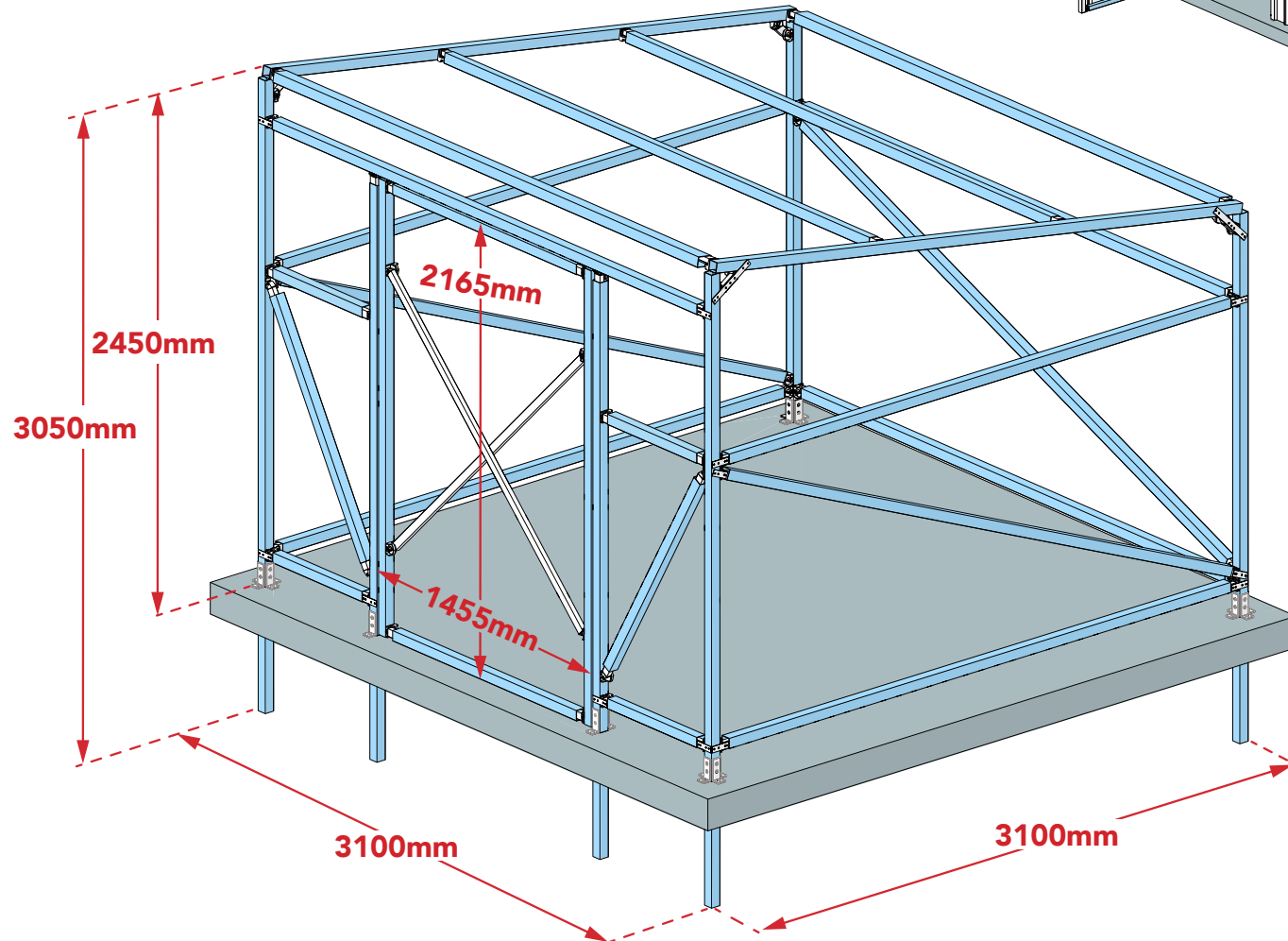
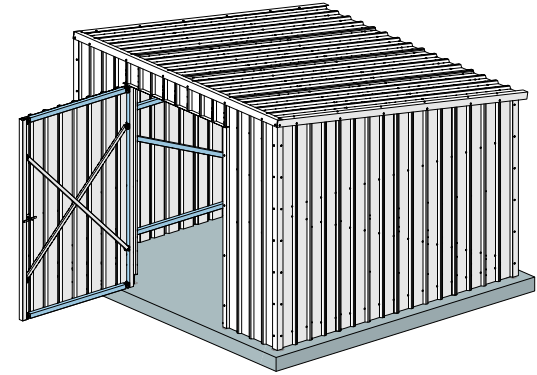
This Manual is designed to be only  
used with Kwiktech  
produced products.

No part of this Manual or the  
Kwiktech product design may be  
copied or reproduced without the  
consent of Kwiktech Pty Ltd.

Construction using Kwiktech  
products may require planning  
approval. Always contact your Local  
Council for the most up-to-date  
rules and regulations for your area.

All dimensions are in millimeters  
(mm)

[www.kwiktech.com.au](http://www.kwiktech.com.au)  
© Kwiktech Pty Ltd 2022



# Materials List

'The Classic'  
3m x 3m x 2.45m Shed  
Region A

User Manual

Read in conjunction with  
Kwiktech Build Guide and  
Kwiktech Tips & Tricks

Designed by



Engineered by



Rating: Region A

Rev 2.1

This Manual is the sole property of  
Kwiktech Pty Ltd.  
All rights are reserved.

This Manual is designed to be only  
used with Kwiktech  
produced products.

No part of this Manual or the  
Kwiktech product design may be  
copied or reproduced without the  
consent of Kwiktech Pty Ltd.

Construction using Kwiktech  
products may require planning  
approval. Always contact your Local  
Council for the most up-to-date  
rules and regulations for your area.

All dimensions are in millimeters  
(mm)

## KWIKTECH KITS

ITEM	QUANTITY	RESELLER PRICE
Kwiktech DIY Rated Shed Kit (NOTE: Some items will not be used)	1	
Kwiktech DIY Rated Square Kit (Optional for temporary corner bracing)	1	

## NON KWIKTECH ITEMS

ITEM	ITEM ID #	ASSEMBLY ID #	LENGTH	COLOUR	QUANTITY	RESELLER PRICE
RHS 75x50x2.0mm	1	A	2900	Galv	2	
SHS 50x50x1.5mm or 1.6mm	2	B	3147	Galv	3	
SHS 50x50x1.5mm or 1.6mm	3 4		3084	Galv	2	
SHS 50x50x1.5mm or 1.6mm	5 6		3000*	Galv	2	
SHS 50x50x1.5mm or 1.6mm	7	C	2900	Galv	3	
SHS 50x50x1.5mm or 1.6mm (Displacement plates both ends)	8	D	2896	Galv	6	
SHS 50x50x1.5mm or 1.6mm	9 10	E	2733*	Galv	2	
SHS 50x50x1.5mm or 1.6mm	11 12		2510*	Galv	2	
SHS 50x50x1.5mm or 1.6mm	13		2163	Galv	2	
SHS 50x50x1.5mm or 1.6mm	14	H	1255	Galv	2	
SHS 50x50x1.5mm or 1.6mm	15	F	1241	Galv	2	
SHS 50x50x1.5mm or 1.6mm	16	G	613	Galv	4	
RHS 38x25x1.2mm or 1.6mm	17	B	3217	Galv	3	
RHS 38x25x1.2mm or 1.6mm	18	A C	2970	Galv	5	
RHS 38x25x1.2mm or 1.6mm (Displacement plates both ends)	19	D	2966	Galv	6	
RHS 38x25x1.2mm or 1.6mm	20		2023	Galv	2	
RHS 38x25x1.2mm or 1.6mm	21		1852	Galv	2	
RHS 38x25x1.2mm or 1.6mm	22	H	1325	Galv	2	
RHS 38x25x1.2mm or 1.6mm	23	F	1311	Galv	2	
RHS 38x25x1.2mm or 1.6mm	24	E	1000	Galv	2	
RHS 38x25x1.2mm or 1.6mm	25	G	683	Galv	4	
RHS 38x25x1.2mm or 1.6mm (Used for optional temporary corner braces)	26		442	Galv	4	
RHS 38x25x1.2mm or 1.6mm	27		80	Galv	2	
RHS 38x25x1.2mm or 1.6mm	28		68	Galv	3	

\*NOTE: If fixing the shed on existing concrete, reduce these member lengths by 600mm.

# Materials List

'The Classic'

3m x 3m x 2.45m Shed  
Region A

User Manual

Read in conjunction with  
Kwiktech Build Guide and  
Kwiktech Tips & Tricks

Designed by



Engineered by



Rating: Region A

Rev 2.1

This Manual is the sole property of  
Kwiktech Pty Ltd.  
All rights are reserved.

This Manual is designed to be only  
used with Kwiktech  
produced products.

No part of this Manual or the  
Kwiktech product design may be  
copied or reproduced without the  
consent of Kwiktech Pty Ltd.

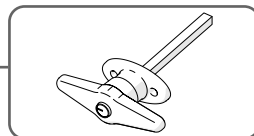
Construction using Kwiktech  
products may require planning  
approval. Always contact your Local  
Council for the most up-to-date  
rules and regulations for your area.

All dimensions are in millimeters  
(mm)

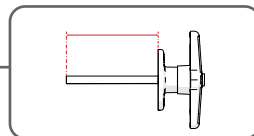
## NON KWIKTECH ITEMS

ITEM	ID #	LENGTH	COLOUR	QUANTITY	RESELLER PRICE
TrimDek Cladding 762x29x0.42mm or 0.48mm - Roof	RF 1	3275	Customers Choice	4	
TrimDek Cladding 762x29x0.42mm or 0.48mm - Front Outers	CL 1	2450		2	
TrimDek Cladding 762x29x0.42mm or 0.48mm - Side 1	CL 2	2450		2	
TrimDek Cladding 762x29x0.42mm or 0.48mm - Side 2	CL 3	2325		2	
TrimDek Cladding 762x29x0.42mm or 0.48mm - Side 3	CL 4	1950		2	
TrimDek Cladding 762x29x0.42mm or 0.48mm - Side 4	CL 5	2075		2	
TrimDek Cladding 762x29x0.42mm or 0.48mm - Back	CL 6	1950		2	
TrimDek Cladding 762x29x0.42mm or 0.48mm - Door	CL 7	2165		2	
TrimDek Cladding 762x29x0.42mm or 0.48mm - Front above Door	CL 8	280		2	
Roof Sides Flashing	FL 1	3310		2	
Peak Flashing	FL 2	3170	1		
Front Corners Flashing	FL 3	2450	2		
Back Flashing	FL 4	3100	1		
Back Corners Flashing	FL 5	1950	2		
Door Frame Housing Flashing	FL 6	2172	2		
Door Side Flashing	FL 7	2165	2		
Above Door Flashing	FL 8	1590	1		
Door Lock Flashings	FL 9.1 FL 9.2	40	Galv	1	
Internal Door Frame Flashing	FL 10	1518	Customers Choice	1	
100x100x2.5 Zinc Plated Butt Hinge		100	Galv	3	
Tee Handle Kit & Inside Latch		-	-	1	
Tek Screw 16mmx10g Coloured		16	Customers Choice	400	
Tek Screw 53mmx12g Coloured - Neo		53	Customers Choice	200	
M12x75 4.6 Hex head Galv Bolt & Nut	Only required if fixing to existing concrete.	75	Galv	10	
P1326H Ninety Degree Fitting HG		105	Galv	20	
Dynabolt DP12100 M10 12x100 Galv		100	Galv	20	
38x25 Black Plastic Post Cap		38	Black	2	
				Sub-Total	
				GST	
				Shipping	
				Total Cost	

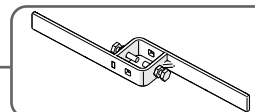
Refer to page 26 for details



Tee Handle



Minimum Tee Handle Length 75mm



Recommend using a heavy duty inner lock, such as the one pictured above.

# Materials List

'The Classic'  
3m x 3m x 2.45m Shed  
Region A  
User Manual

Read in conjunction with  
Kwiktech Build Guide and  
Kwiktech Tips & Tricks

Designed by



Engineered by



Rating: Region A

Rev 2.1

This Manual is the sole property of  
Kwiktech Pty Ltd.  
All rights are reserved.

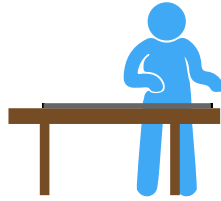
This Manual is designed to be only  
used with Kwiktech  
produced products.

No part of this Manual or the  
Kwiktech product design may be  
copied or reproduced without the  
consent of Kwiktech Pty Ltd.

Construction using Kwiktech  
products may require planning  
approval. Always contact your Local  
Council for the most up-to-date  
rules and regulations for your area.

All dimensions are in millimeters  
(mm)

## Build Preparation



Rail Inserts



Extra Strong Rails



Universal  
Connectors

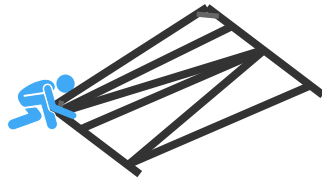


Door Stopper

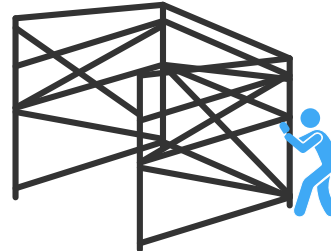


Footing  
Preparation

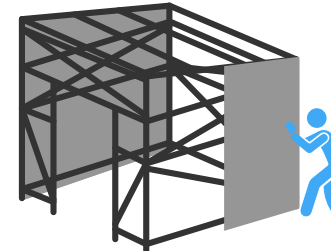
## Assembly Sequence



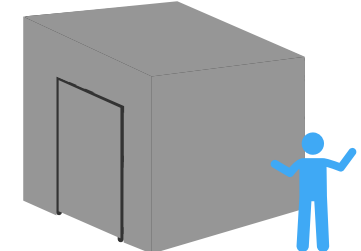
Fabricate



Erect & Fabricate



Cladding & Flashings



Finished Product

### REQUIRED KWIKTECH ITEMS (INCLUDED IN KIT)

ITEM	QUANTITY	ITEM	QUANTITY
Post Connector (KT-P-001)	0	10G x 16 Self Drilling Wafer Head Screw	650
Universal Connector (KT-P-002)	68	M6 x 40 Socket Head Cap Screw - Zinc	68
Rail Inserts (KT-P-003)	62	M6 x 20 Hex Head Bolt - Galv	0
60° Rail Inserts (KT-P-004)	6	M6 Nut - Galv	0
Star Picket Guide (KT-P-005)	0	Kwiktech 2mm Displacement Plate	12
Post Cap (KT-P-006)	0	Right Angle Bracket - Zinc	3
Tension Strapping 0.8 x 30 x 85mm	12	Assembly Wedge - Rubber	1
Tension Strapping 0.8 x 30 x 95mm	12	10G x 16 Self Drilling Small Head Flat Top Screw	130
Tension Strapping 0.8 x 30 x 135mm	4		
Tension Strapping 0.8 x 30 x 250mm	4		

### HOLLOW METAL TOTAL

ITEM	TOTAL LENGTH
Duragal 75x50x2.0mm	6m
Duragal 50x50x1.5mm	70m
Duragal 38x25x1.2mm	63m

FOR  
INFORMATION  
ONLY

# Member Locations

'The Classic'

3m x 3m x 2.45m Shed

Region A

User Manual

Read in conjunction with  
Kwiktech Build Guide and  
Kwiktech Tips & Tricks

Designed by

**kwiktech.**

Engineered by

**sbec.** SCHMIDT  
BENTLEY  
ENGINEERING  
CONSULTING

Rating: Region A

Rev 2.1

This Manual is the sole property of  
Kwiktech Pty Ltd.  
All rights are reserved.

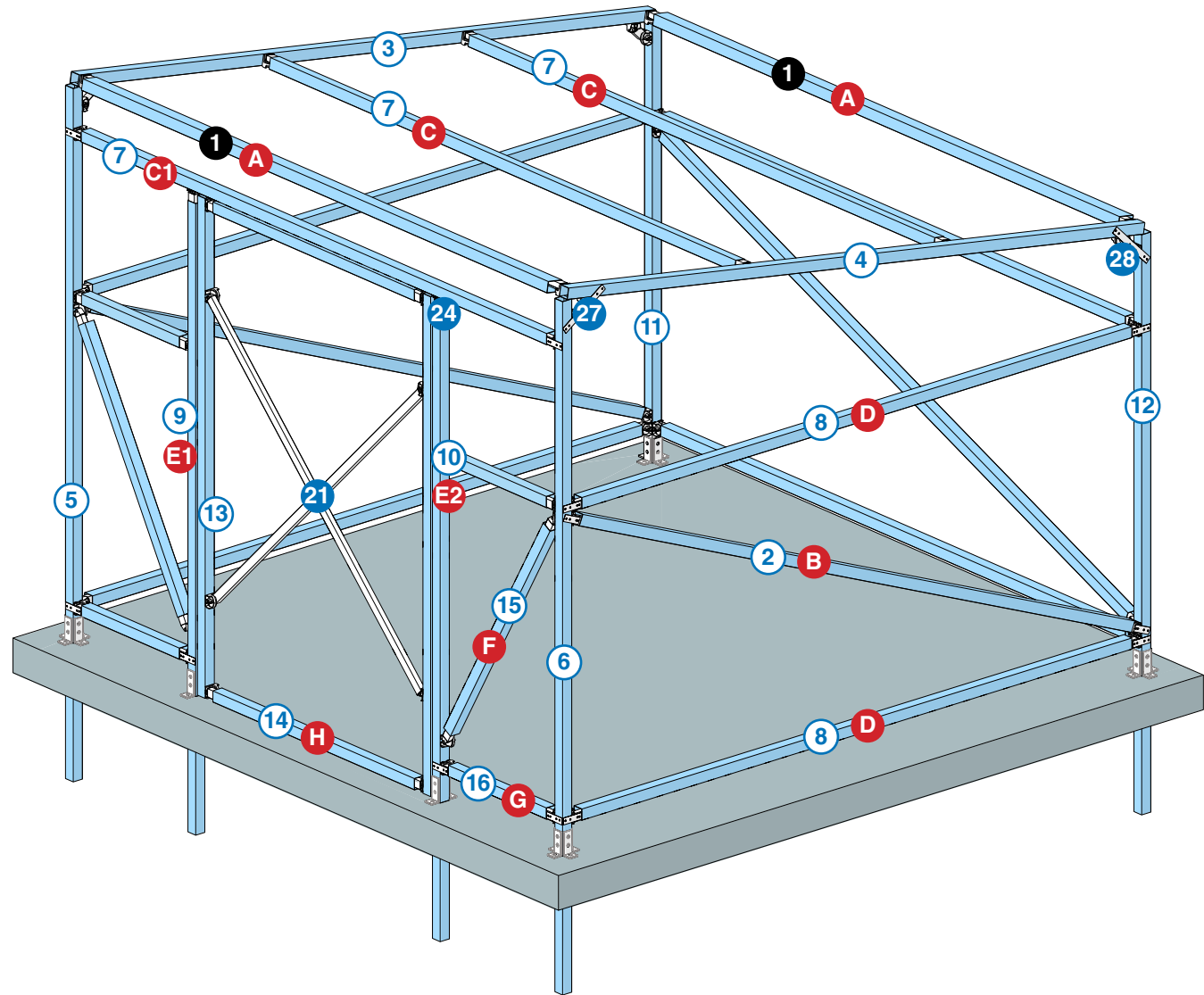
This Manual is designed to be only  
used with Kwiktech  
produced products.

No part of this Manual or the  
Kwiktech product design may be  
copied or reproduced without the  
consent of Kwiktech Pty Ltd.

Construction using Kwiktech  
products may require planning  
approval. Always contact your Local  
Council for the most up-to-date  
rules and regulations for your area.

All dimensions are in millimeters  
(mm)

[www.kwiktech.com.au](http://www.kwiktech.com.au)  
© Kwiktech Pty Ltd 2022



**NOTE:** Some member ID's hidden for clarity.

# Rail Assembly

'The Classic'

3m x 3m x 2.45m Shed

Region A

User Manual

Read in conjunction with  
Kwiktech Build Guide and  
Kwiktech Tips & Tricks

Designed by



Engineered by



Rating: Region A

Rev 2.1

This Manual is the sole property of  
Kwiktech Pty Ltd.  
All rights are reserved.

This Manual is designed to be only  
used with Kwiktech  
produced products.

No part of this Manual or the  
Kwiktech product design may be  
copied or reproduced without the  
consent of Kwiktech Pty Ltd.

Construction using Kwiktech  
products may require planning  
approval. Always contact your Local  
Council for the most up-to-date  
rules and regulations for your area.

All dimensions are in millimeters  
(mm)

www.kwiktech.com.au  
© Kwiktech Pty Ltd 2022

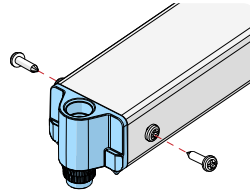
## Rail Setup

Refer to build guide for  
assembly details.

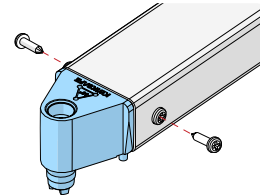
All members have a Standard  
insert unless otherwise noted.

Mark item ID on each member.

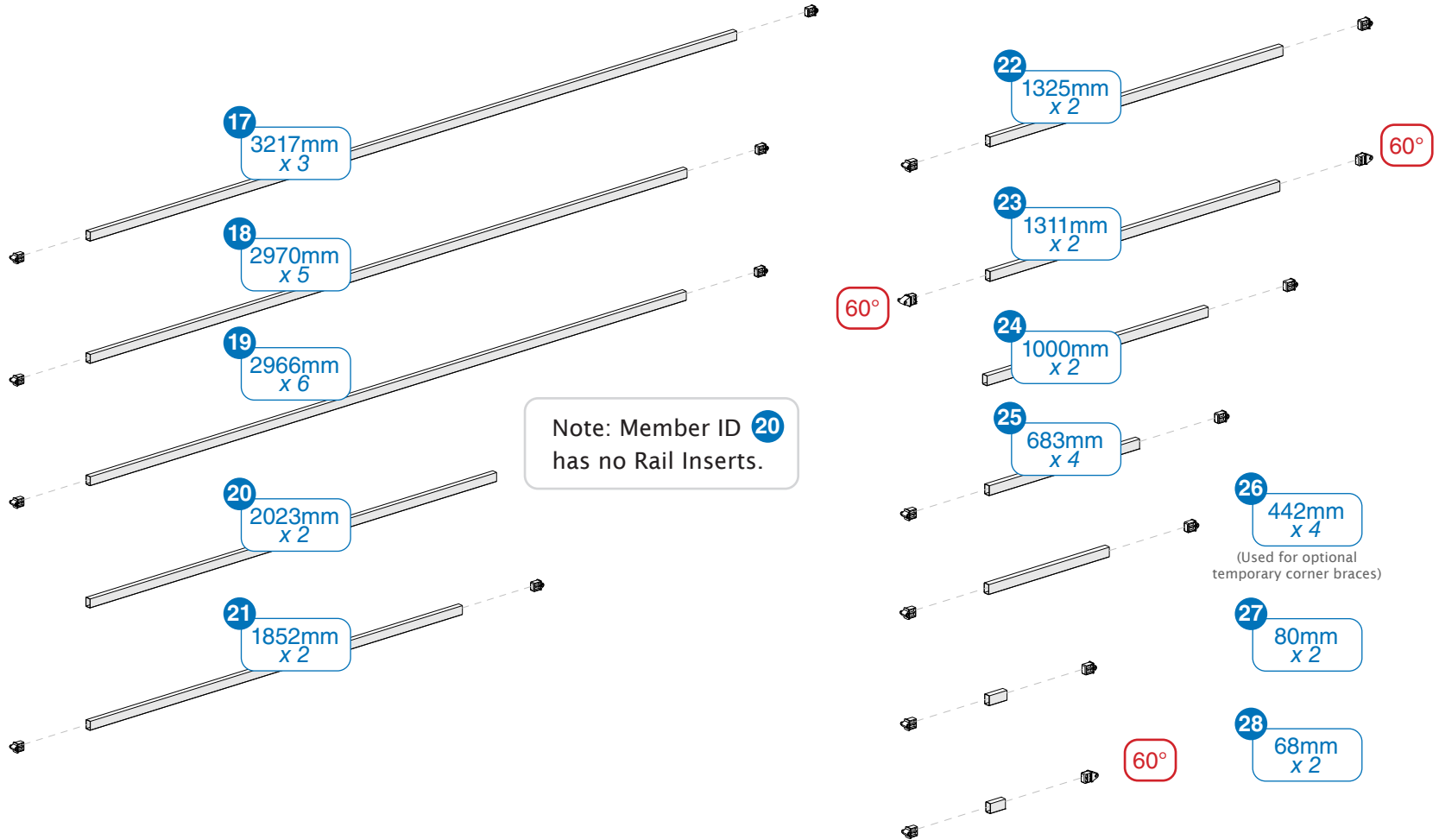
### RAIL INSERT TYPES



Standard



60°



Approximate time  
required: 2 Hours



# Extra Strong Rail Assembly

'The Classic'

3m x 3m x 2.45m Shed

Region A

User Manual

Read in conjunction with  
Kwiktech Build Guide and  
Kwiktech Tips & Tricks

Designed by



Engineered by



Rating: Region A

Rev 2.1

This Manual is the sole property of  
Kwiktech Pty Ltd.  
All rights are reserved.

This Manual is designed to be only  
used with Kwiktech  
produced products.

No part of this Manual or the  
Kwiktech product design may be  
copied or reproduced without the  
consent of Kwiktech Pty Ltd.

Construction using Kwiktech  
products may require planning  
approval. Always contact your Local  
Council for the most up-to-date  
rules and regulations for your area.

All dimensions are in millimeters  
(mm)

www.kwiktech.com.au  
© Kwiktech Pty Ltd 2022

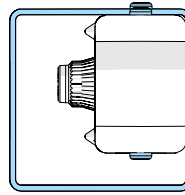
## Rail Setup

Refer to build guide for  
assembly details.

Mark assembly ID  
on each member.

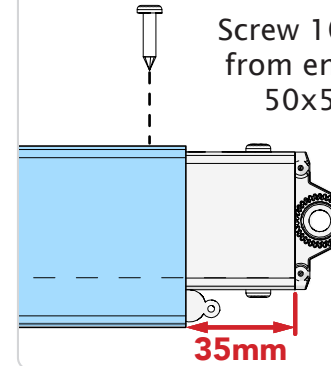
### MEMBER ORIENTATION

38x25 in the  
Top Left Corner



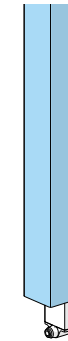
### ENDS FIXING DETAIL

Screw 10mm  
from end of  
50x50

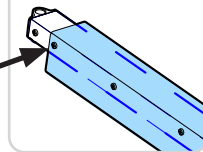


### ENDS FIXING DETAIL

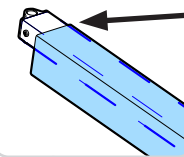
4 screws from  
50x50 into 38x25.  
100mm spacing,  
both ends



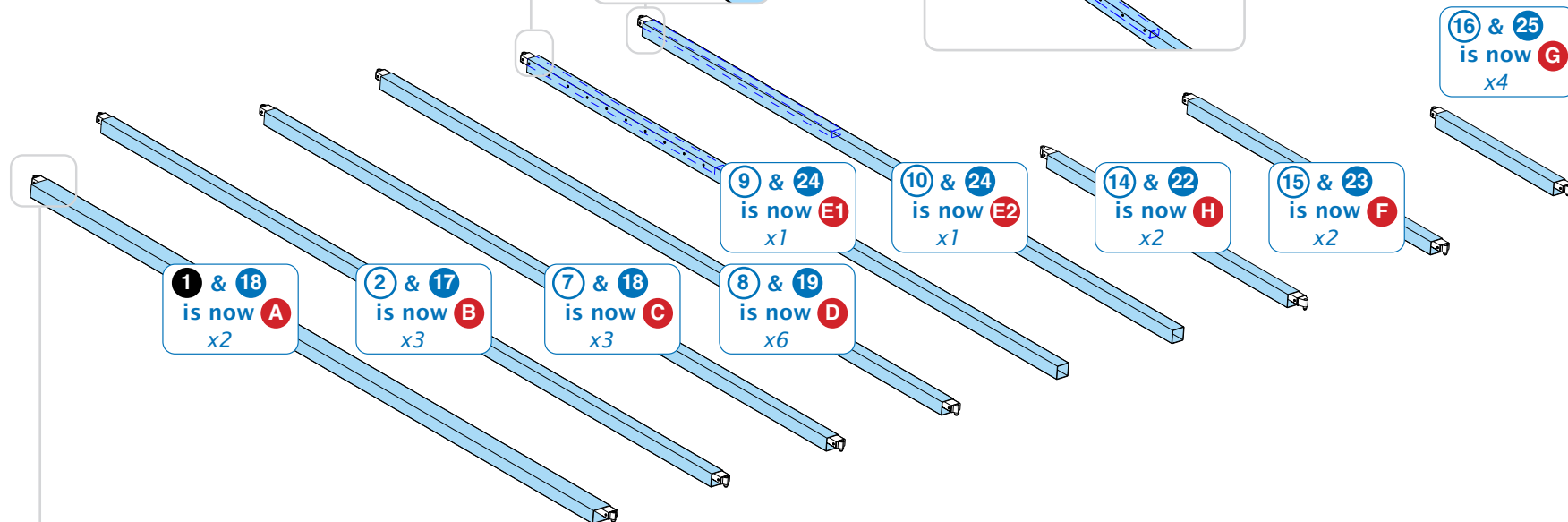
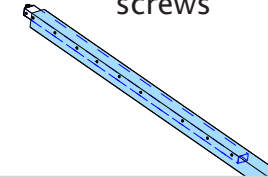
Align  
edge



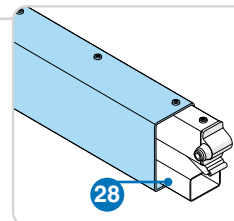
Align  
edge



Typical number of  
screws



Use spare member **28**  
as a spacing wedge to  
position the 38x25  
inside the 75x50



Approximate time  
required: 3 Hours

# Universal Connector Locations

'The Classic'

3m x 3m x 2.45m Shed

Region A

User Manual

Read in conjunction with  
Kwiktech Build Guide and  
Kwiktech Tips & Tricks

Designed by



Engineered by



Rating: Region A

Rev 2.1

This Manual is the sole property of  
Kwiktech Pty Ltd.  
All rights are reserved.

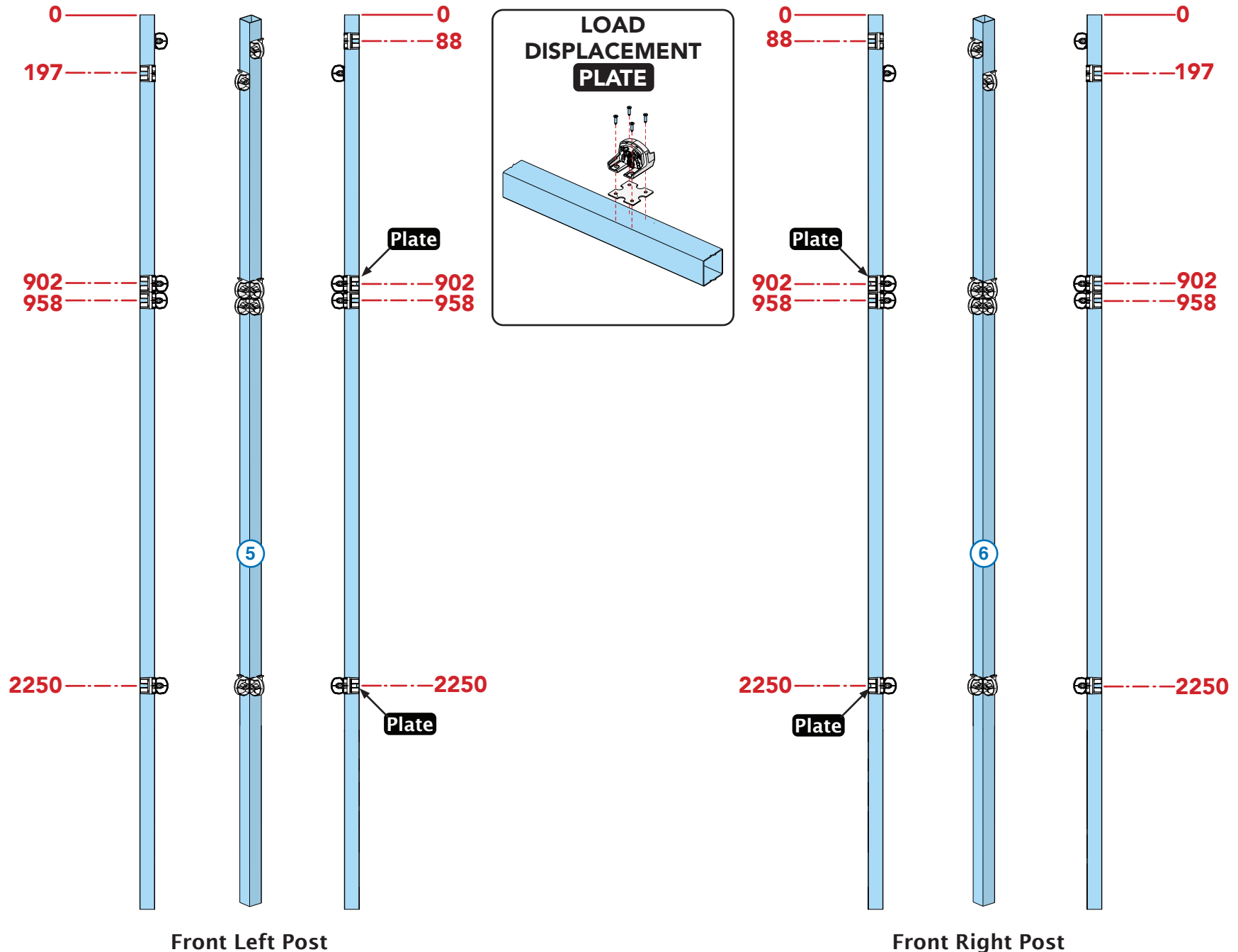
This Manual is designed to be only  
used with Kwiktech  
produced products.

No part of this Manual or the  
Kwiktech product design may be  
copied or reproduced without the  
consent of Kwiktech Pty Ltd.

Construction using Kwiktech  
products may require planning  
approval. Always contact your Local  
Council for the most up-to-date  
rules and regulations for your area.

All dimensions are in millimeters  
(mm)

www.kwiktech.com.au  
© Kwiktech Pty Ltd 2022



Approximate time  
required: 1 Hour

# Universal Connector Locations

'The Classic'

3m x 3m x 2.45m Shed

Region A

User Manual

Read in conjunction with  
Kwiktech Build Guide and  
Kwiktech Tips & Tricks

Designed by

**kwiktech.**

Engineered by

**sbec.** SCHMIDT  
BENTLEY  
ENGINEERING  
CONSULTING

Rating: Region A

Rev 2.1

This Manual is the sole property of  
Kwiktech Pty Ltd.  
All rights are reserved.

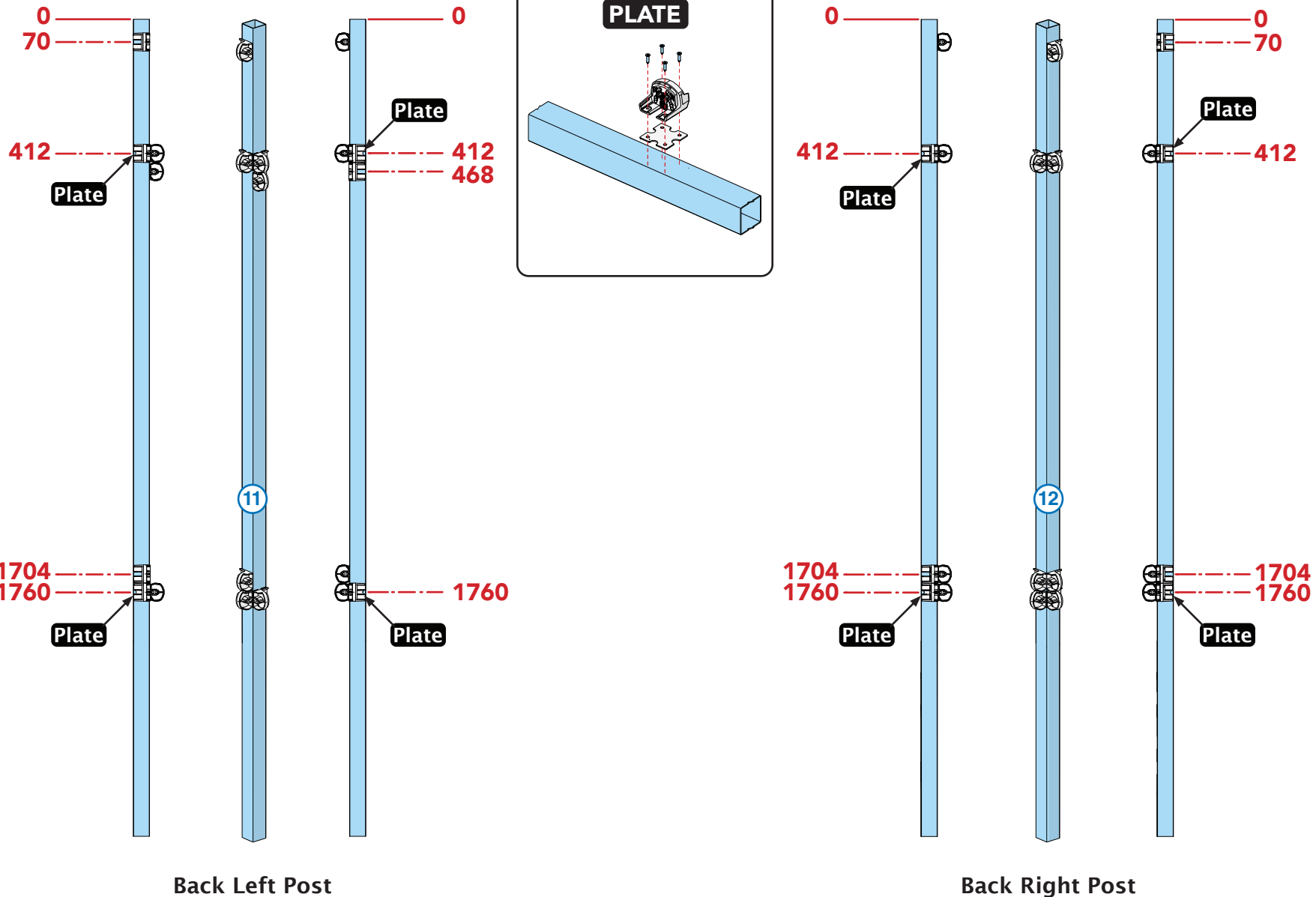
This Manual is designed to be only  
used with Kwiktech  
produced products.

No part of this Manual or the  
Kwiktech product design may be  
copied or reproduced without the  
consent of Kwiktech Pty Ltd.

Construction using Kwiktech  
products may require planning  
approval. Always contact your Local  
Council for the most up-to-date  
rules and regulations for your area.

All dimensions are in millimeters  
(mm)

www.kwiktech.com.au  
© Kwiktech Pty Ltd 2022



Approximate time  
required: 1 Hour

# Universal Connector Locations

'The Classic'

3m x 3m x 2.45m Shed

Region A

User Manual

Read in conjunction with  
Kwiktech Build Guide and  
Kwiktech Tips & Tricks

Designed by

**kwiktech.**

Engineered by

**sbec.** SCHMIDT  
BENTLEY  
ENGINEERING  
CONSULTING

Rating: Region A

Rev 2.1

This Manual is the sole property of  
Kwiktech Pty Ltd.  
All rights are reserved.

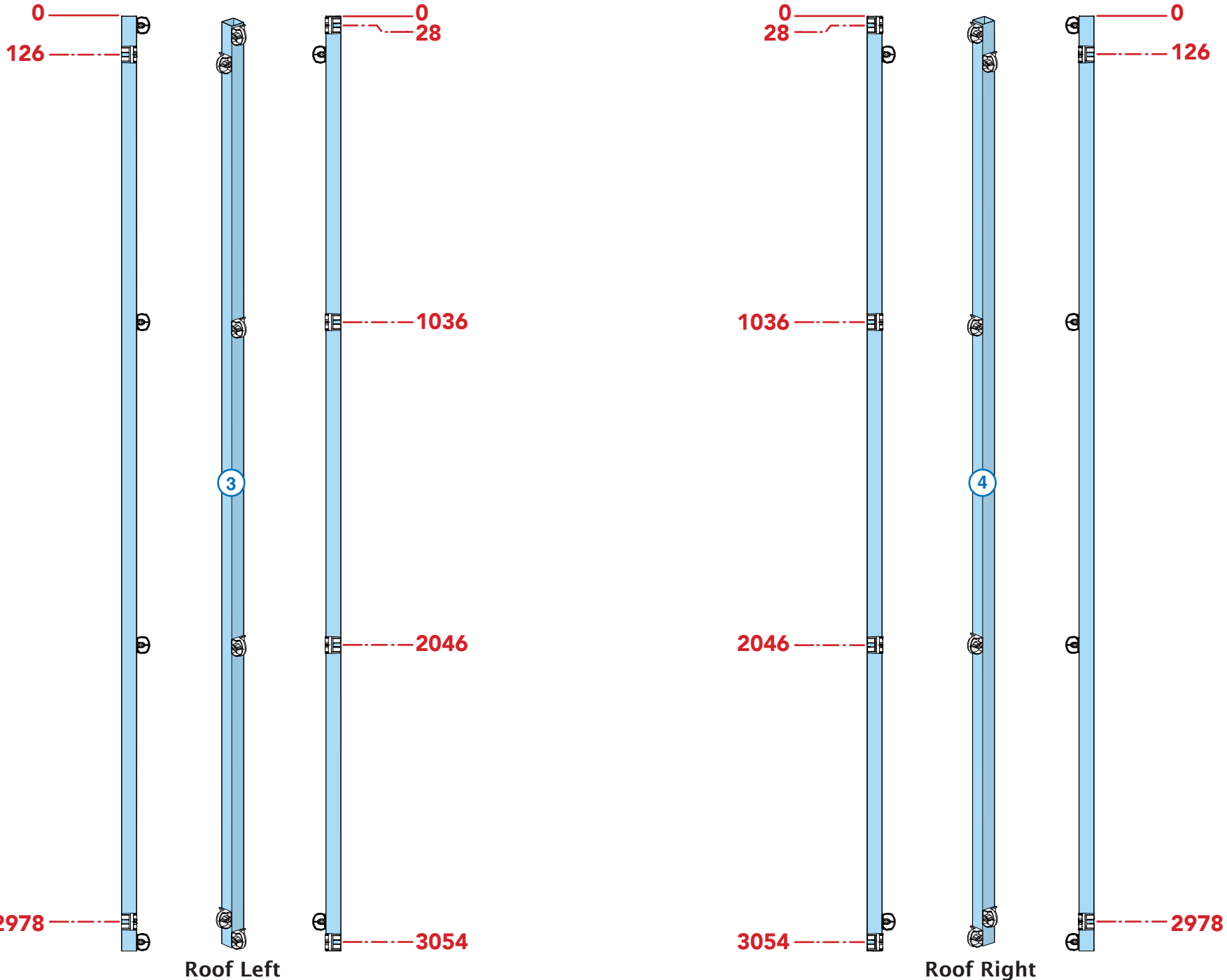
This Manual is designed to be only  
used with Kwiktech  
produced products.

No part of this Manual or the  
Kwiktech product design may be  
copied or reproduced without the  
consent of Kwiktech Pty Ltd.

Construction using Kwiktech  
products may require planning  
approval. Always contact your Local  
Council for the most up-to-date  
rules and regulations for your area.

All dimensions are in millimeters  
(mm)

[www.kwiktech.com.au](http://www.kwiktech.com.au)  
© Kwiktech Pty Ltd 2022



Approximate time  
required: 1 Hour

# Universal Connector Locations

'The Classic'

3m x 3m x 2.45m Shed

Region A

User Manual

Read in conjunction with  
Kwiktech Build Guide and  
Kwiktech Tips & Tricks

Designed by

**kwiktech.**

Engineered by

**sbec.** SCHMIDT  
BENTLEY  
ENGINEERING  
CONSULTING

Rating: Region A

Rev 2.1

This Manual is the sole property of  
Kwiktech Pty Ltd.  
All rights are reserved.

This Manual is designed to be only  
used with Kwiktech  
produced products.

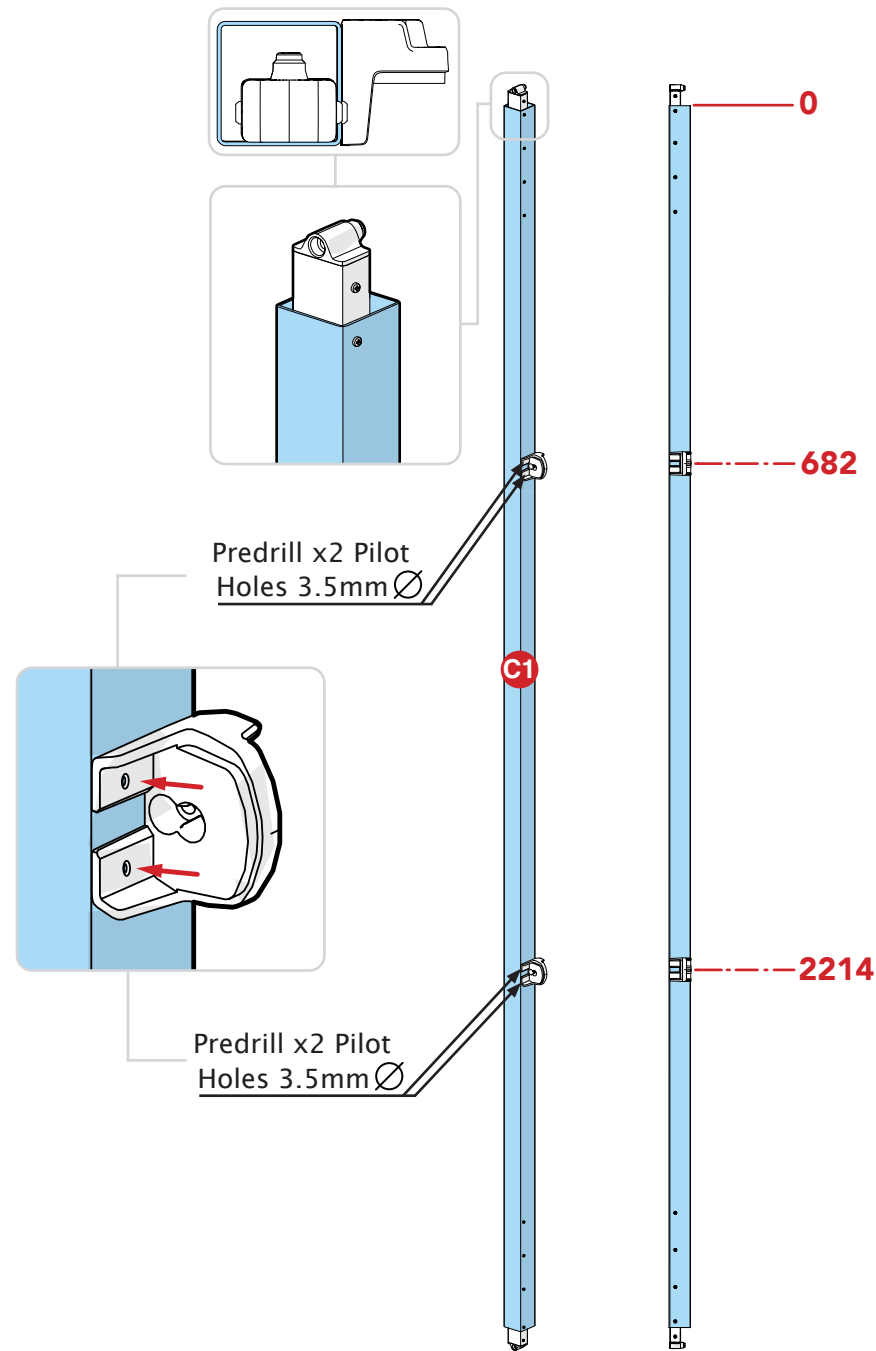
No part of this Manual or the  
Kwiktech product design may be  
copied or reproduced without the  
consent of Kwiktech Pty Ltd.

Construction using Kwiktech  
products may require planning  
approval. Always contact your Local  
Council for the most up-to-date  
rules and regulations for your area.

All dimensions are in millimeters  
(mm)

[www.kwiktech.com.au](http://www.kwiktech.com.au)  
© Kwiktech Pty Ltd 2022

Approximate time  
required: 0.5 Hours



**Front Mounting Member**  
x 1 (Now Label **C1**)

# Universal Connector Locations

'The Classic'

3m x 3m x 2.45m Shed

Region A

User Manual

Read in conjunction with  
Kwiktech Build Guide and  
Kwiktech Tips & Tricks

Designed by

**kwiktech.**

Engineered by

**sbec.** SCHMIDT  
BENTLEY  
ENGINEERING  
CONSULTING

Rating: Region A

Rev 2.1

This Manual is the sole property of  
Kwiktech Pty Ltd.  
All rights are reserved.

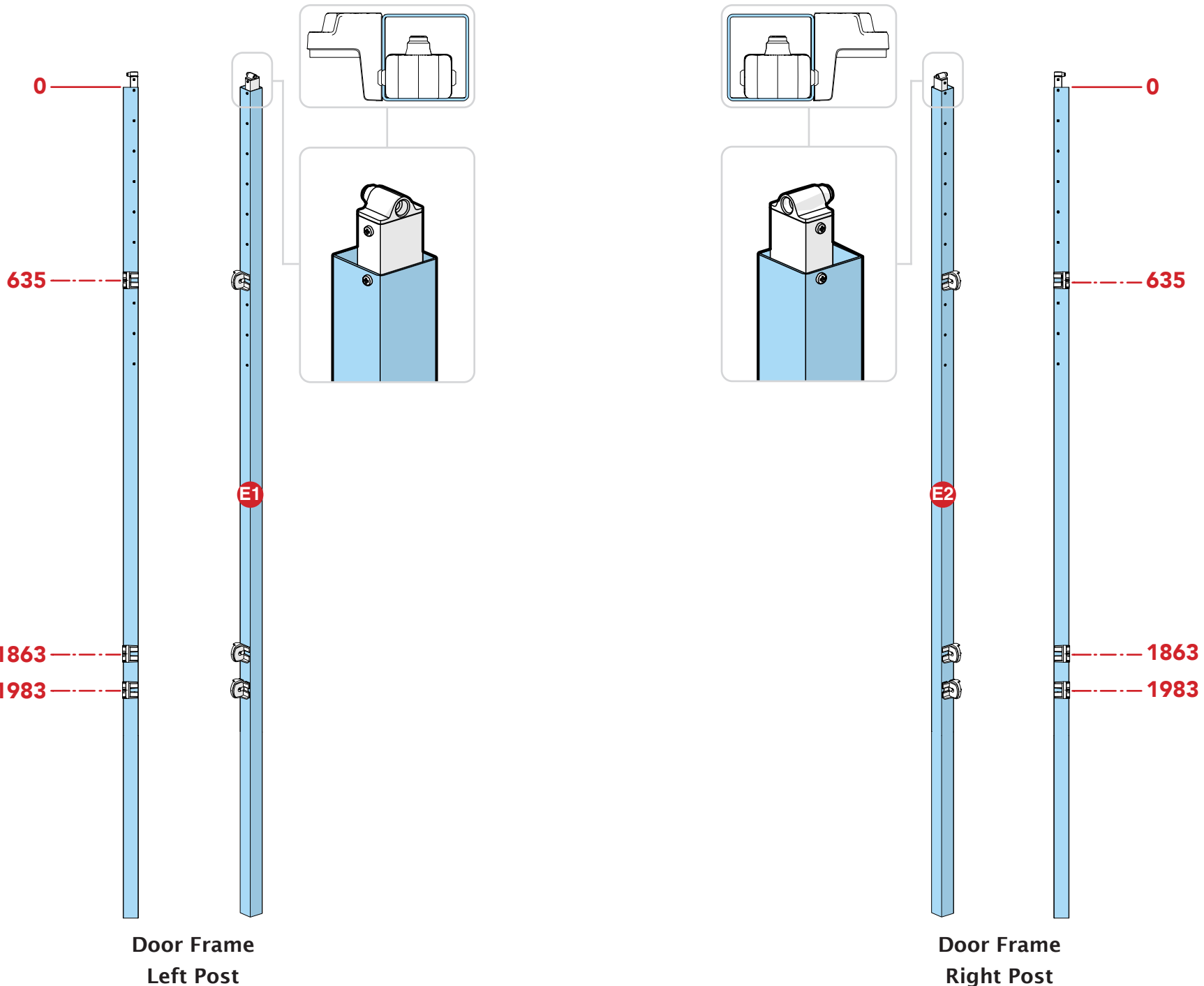
This Manual is designed to be only  
used with Kwiktech  
produced products.

No part of this Manual or the  
Kwiktech product design may be  
copied or reproduced without the  
consent of Kwiktech Pty Ltd.

Construction using Kwiktech  
products may require planning  
approval. Always contact your Local  
Council for the most up-to-date  
rules and regulations for your area.

All dimensions are in millimeters  
(mm)

[www.kwiktech.com.au](http://www.kwiktech.com.au)  
© Kwiktech Pty Ltd 2022



Approximate time  
required: 0.25 Hours

# Door Post Stopper

'The Classic'  
3m x 3m x 2.45m Shed  
Region A  
User Manual

Read in conjunction with  
Kwiktech Build Guide and  
Kwiktech Tips & Tricks

Designed by



Engineered by



Rating: Region A

Rev 2.1

This Manual is the sole property of  
Kwiktech Pty Ltd.  
All rights are reserved.

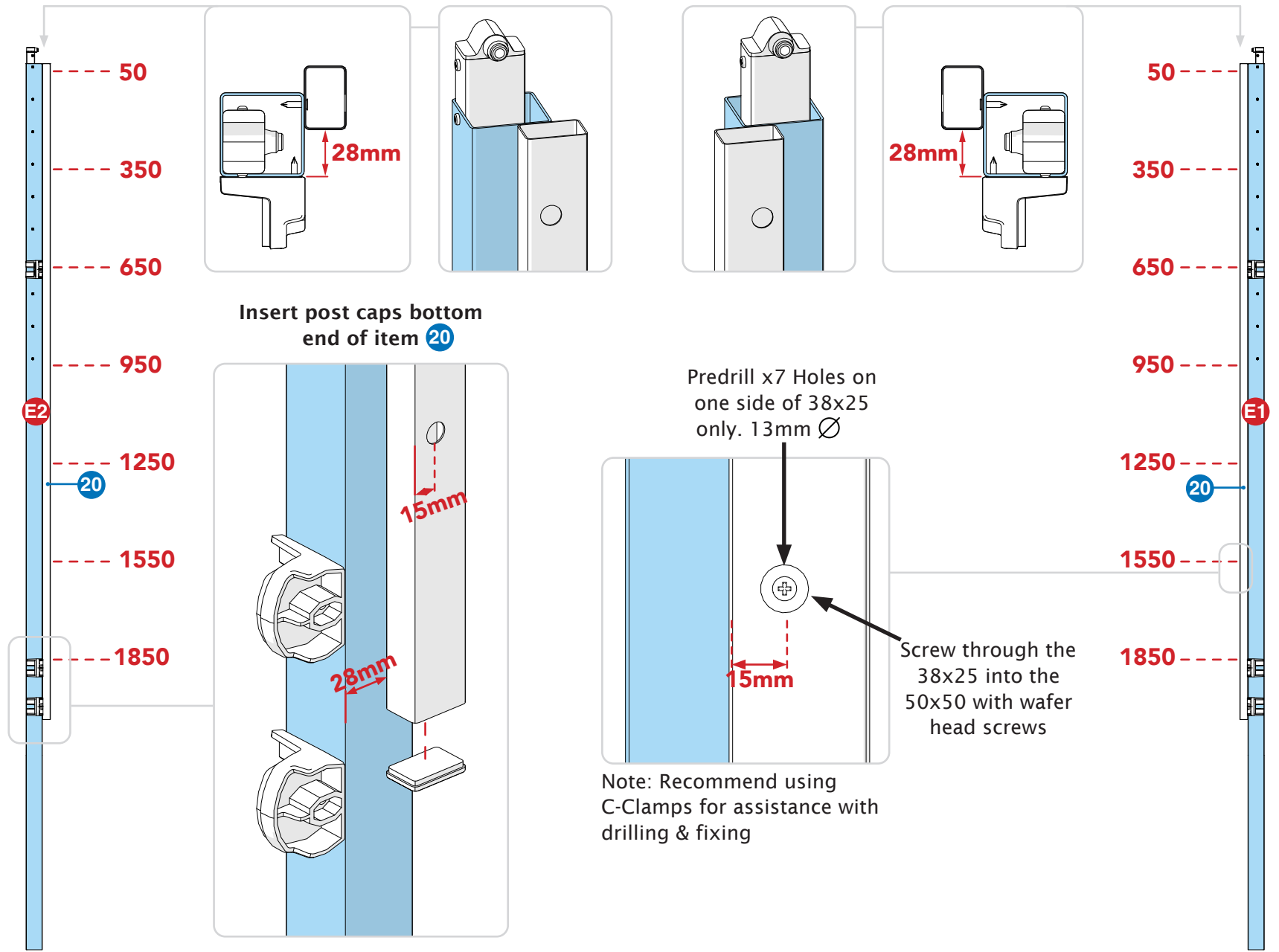
This Manual is designed to be only  
used with Kwiktech  
produced products.

No part of this Manual or the  
Kwiktech product design may be  
copied or reproduced without the  
consent of Kwiktech Pty Ltd.

Construction using Kwiktech  
products may require planning  
approval. Always contact your Local  
Council for the most up-to-date  
rules and regulations for your area.

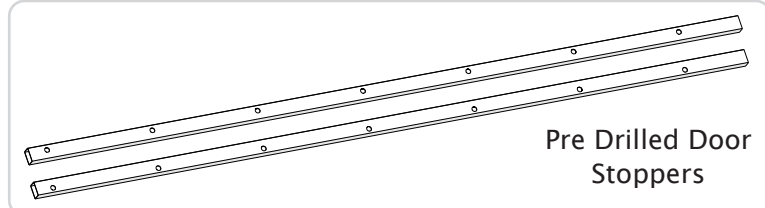
All dimensions are in millimeters  
(mm)

www.kwiktech.com.au  
© Kwiktech Pty Ltd 2022



**Door Frame Right Post**

**Door Frame Left Post**



Approximate time required: 0.75 Hours

# Universal Connector Locations

'The Classic'

3m x 3m x 2.45m Shed

Region A

User Manual

Read in conjunction with  
Kwiktech Build Guide and  
Kwiktech Tips & Tricks

Designed by

**kwiktech.**

Engineered by

**sbec.** SCHMIDT  
BENTLEY  
ENGINEERING  
CONSULTING

Rating: Region A

Rev 2.1

This Manual is the sole property of  
Kwiktech Pty Ltd.  
All rights are reserved.

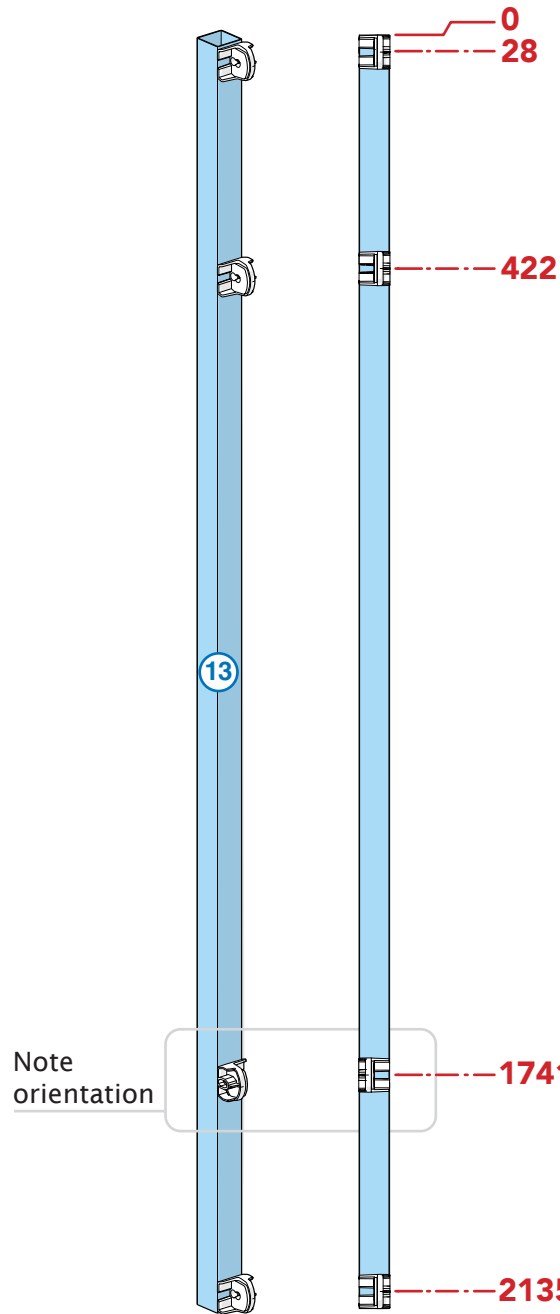
This Manual is designed to be only  
used with Kwiktech  
produced products.

No part of this Manual or the  
Kwiktech product design may be  
copied or reproduced without the  
consent of Kwiktech Pty Ltd.

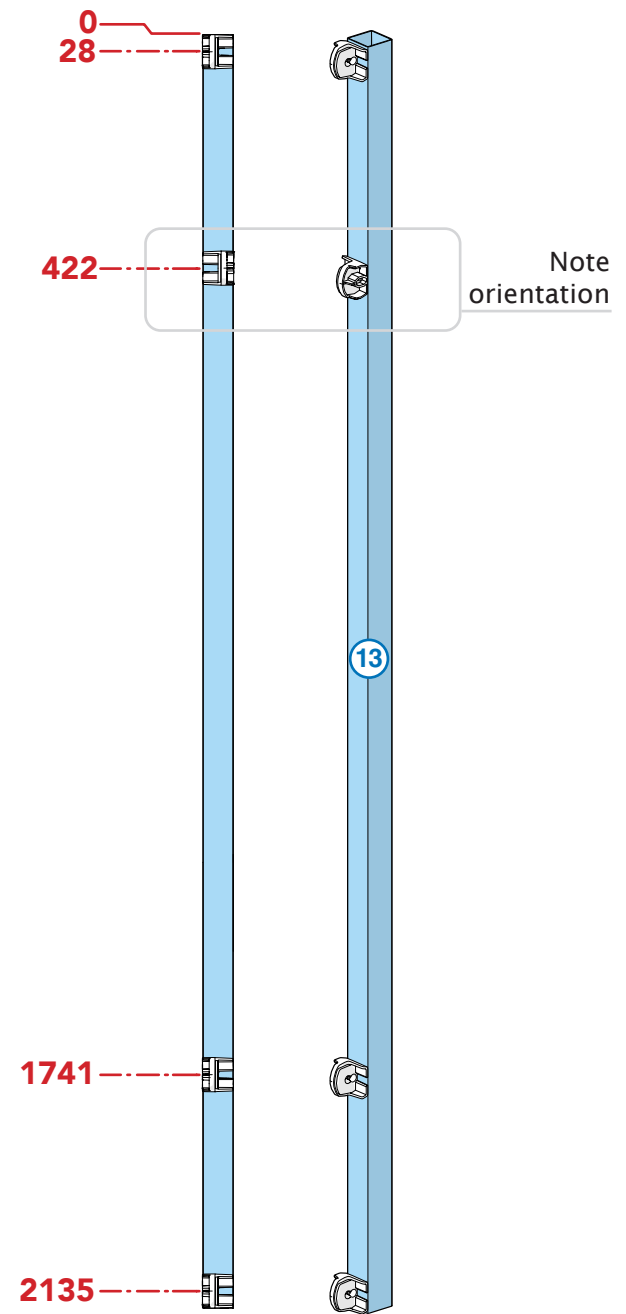
Construction using Kwiktech  
products may require planning  
approval. Always contact your Local  
Council for the most up-to-date  
rules and regulations for your area.

All dimensions are in millimeters  
(mm)

[www.kwiktech.com.au](http://www.kwiktech.com.au)  
© Kwiktech Pty Ltd 2022



Door Left Post



Door Right Post

Approximate time  
required: 0.25 Hours



# Ground Fixing Details

'The Classic'

3m x 3m x 2.45m Shed

Region A

User Manual

Read in conjunction with  
Kwiktech Build Guide and  
Kwiktech Tips & Tricks

Designed by

**kwiktech.**

Engineered by

**sbec.** SCHMIDT  
BENTLEY  
ENGINEERING  
CONSULTING

Rating: Region A

Rev 2.1

This Manual is the sole property of  
Kwiktech Pty Ltd.  
All rights are reserved.

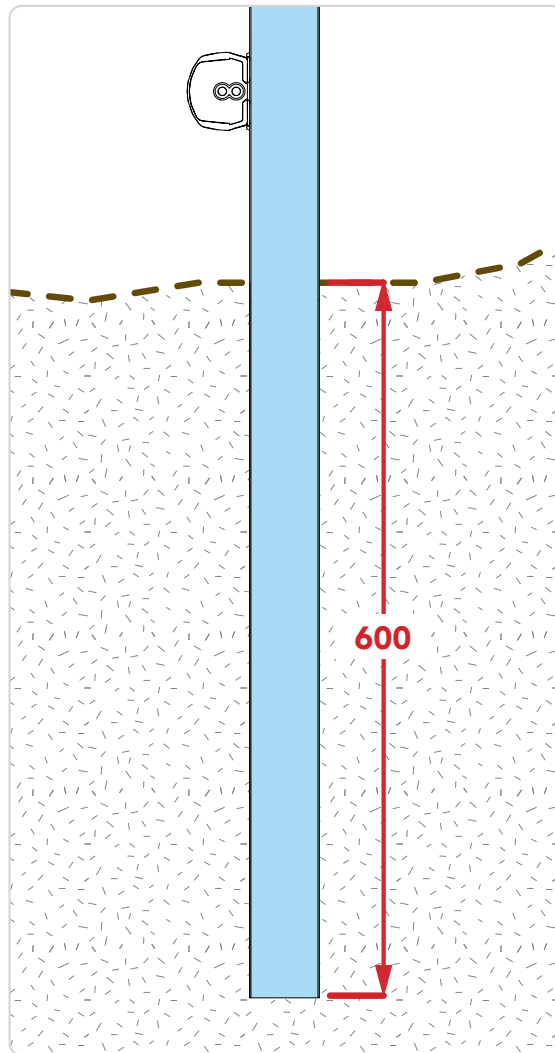
This Manual is designed to be only  
used with Kwiktech  
produced products.

No part of this Manual or the  
Kwiktech product design may be  
copied or reproduced without the  
consent of Kwiktech Pty Ltd.

Construction using Kwiktech  
products may require planning  
approval. Always contact your Local  
Council for the most up-to-date  
rules and regulations for your area.

All dimensions are in millimeters  
(mm)

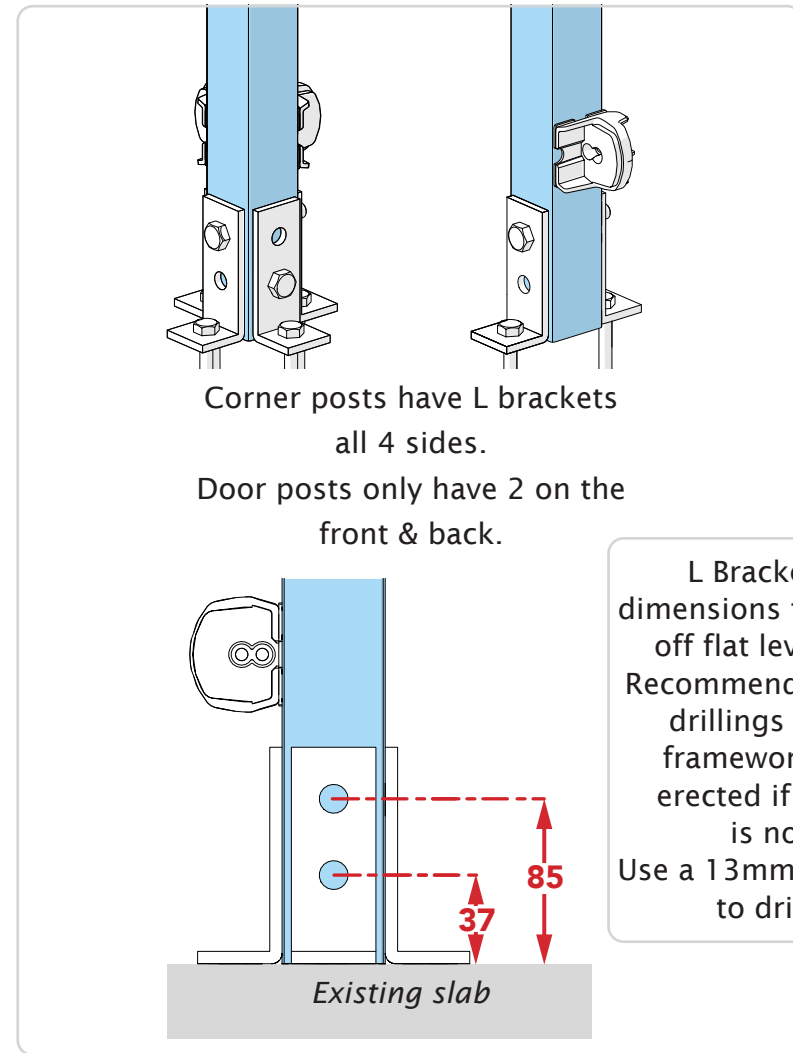
www.kwiktech.com.au  
© Kwiktech Pty Ltd 2022



## Primary Post Fixing Method

600mm embedment into ground x  
either 450mm diameter OR 400mm  
square hole.

Concrete minimum compressive  
strength of 15 MPa.  
(Applies to both fixing scenarios)



## Secondary Post Fixing Method

Assumed existing slab to be minimum 100mm thick &  
in sound structural condition.

L Bracket fixed to posts via m12x75 4.6 Hex Head Galv  
Bolt/Nut. Use a 13mm metal drill bit to drill hole.

Fixed into concrete with 4 x Dynabolt DP12100GH  
M10 12x100mm Galv Hex Nut, 70mm min edge  
distance. Use a 12mm masonry drill bit to drill hole.

Corner posts have L brackets  
all 4 sides.  
Door posts only have 2 on the  
front & back.

L Bracket drilling  
dimensions for post based  
off flat level surfaces.  
Recommend marking and  
drillings holes after  
framework has been  
erected if the surface  
is not level.  
Use a 13mm metal drill bit  
to drill hole.

# Ground Fixing Details

'The Classic'

3m x 3m x 2.45m Shed

Region A

User Manual

Read in conjunction with  
Kwiktech Build Guide and  
Kwiktech Tips & Tricks

Designed by

**kwiktech.**

Engineered by

**sbec.** SCHMIDT  
BENTLEY  
ENGINEERING  
CONSULTING

Rating: Region A

Rev 2.1

This Manual is the sole property of  
Kwiktech Pty Ltd.  
All rights are reserved.

This Manual is designed to be only  
used with Kwiktech  
produced products.

No part of this Manual or the  
Kwiktech product design may be  
copied or reproduced without the  
consent of Kwiktech Pty Ltd.

Construction using Kwiktech  
products may require planning  
approval. Always contact your Local  
Council for the most up-to-date  
rules and regulations for your area.

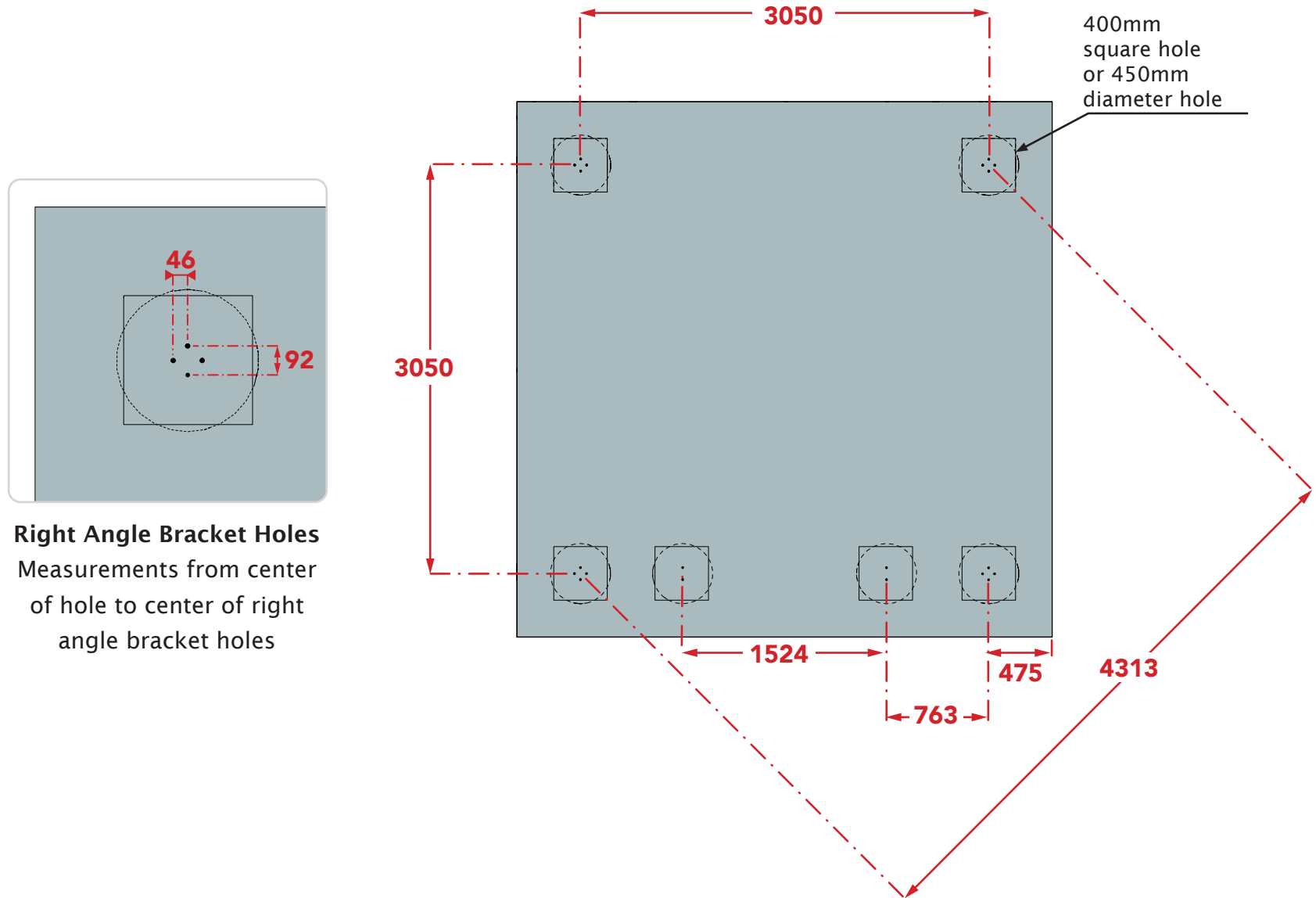
All dimensions are in millimeters  
(mm)

[www.kwiktech.com.au](http://www.kwiktech.com.au)

© Kwiktech Pty Ltd 2022

## Hole measurements

All measurements from center of hole



# Assembly Sequence

'The Classic'

3m x 3m x 2.45m Shed  
Region A

User Manual

Read in conjunction with  
Kwiktech Build Guide and  
Kwiktech Tips & Tricks

Designed by

**kwiktech.**

Engineered by

**sbec.** SCHMIDT  
BENTLEY  
ENGINEERING  
CONSULTING

Rating: Region A

Rev 2.1

This Manual is the sole property of  
Kwiktech Pty Ltd.  
All rights are reserved.

This Manual is designed to be only  
used with Kwiktech  
produced products.

No part of this Manual or the  
Kwiktech product design may be  
copied or reproduced without the  
consent of Kwiktech Pty Ltd.

Construction using Kwiktech  
products may require planning  
approval. Always contact your Local  
Council for the most up-to-date  
rules and regulations for your area.

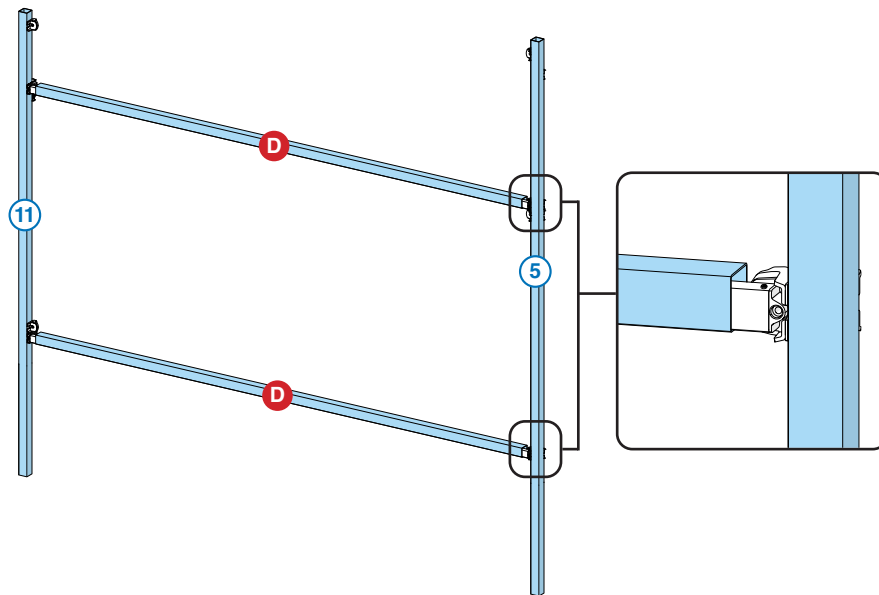
All dimensions are in millimeters  
(mm)

[www.kwiktech.com.au](http://www.kwiktech.com.au)  
© Kwiktech Pty Ltd 2022

## Build Left Wall Construct on the ground. (Images show frames upright for clarity)

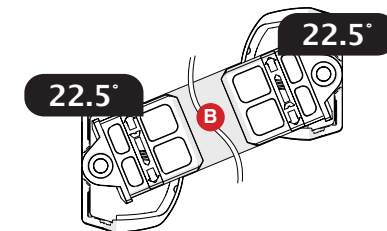
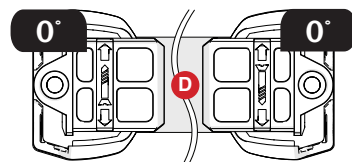
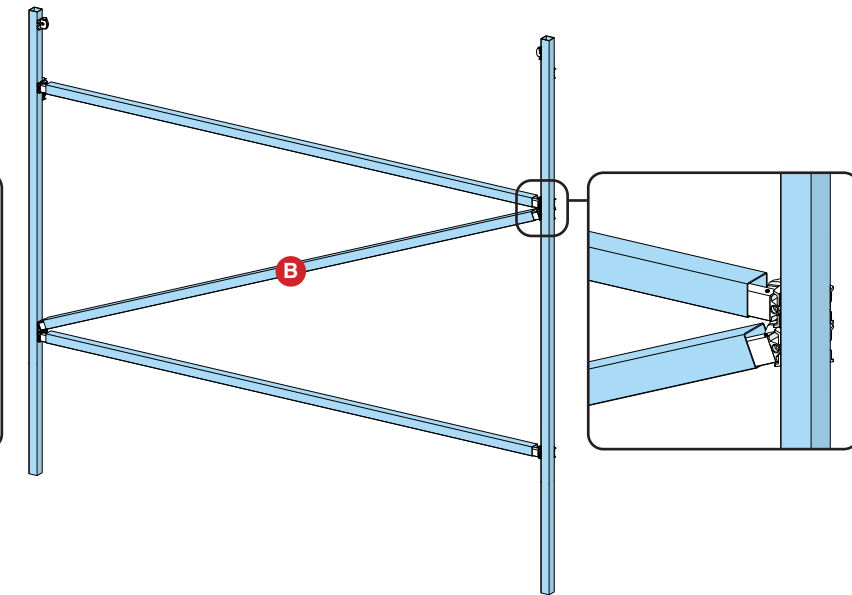
### Step 1

Attach 2 rail items below



### Step 2

Attach the rail below



Approximate time  
required: 0.25 Hours

# Assembly Sequence

'The Classic'

3m x 3m x 2.45m Shed  
Region A

User Manual

Read in conjunction with  
Kwiktech Build Guide and  
Kwiktech Tips & Tricks

Designed by



Engineered by



Rating: Region A

Rev 2.1

This Manual is the sole property of  
Kwiktech Pty Ltd.  
All rights are reserved.

This Manual is designed to be only  
used with Kwiktech  
produced products.

No part of this Manual or the  
Kwiktech product design may be  
copied or reproduced without the  
consent of Kwiktech Pty Ltd.

Construction using Kwiktech  
products may require planning  
approval. Always contact your Local  
Council for the most up-to-date  
rules and regulations for your area.

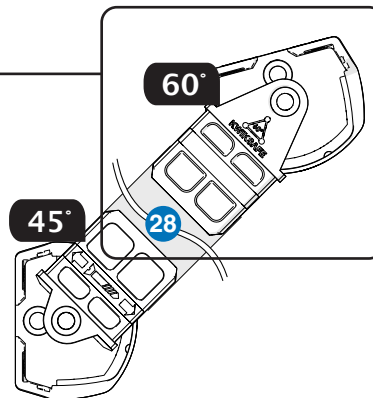
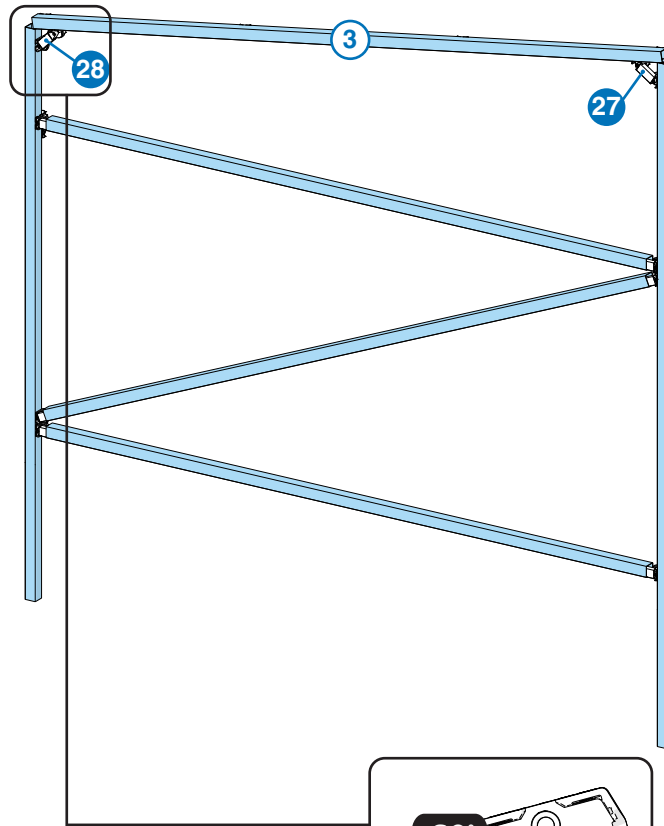
All dimensions are in millimeters  
(mm)

## Build Left Wall

Construct on the ground.  
(Images show frames upright for clarity)

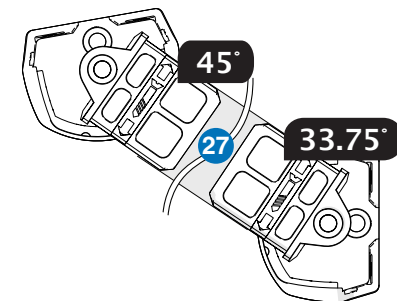
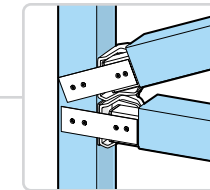
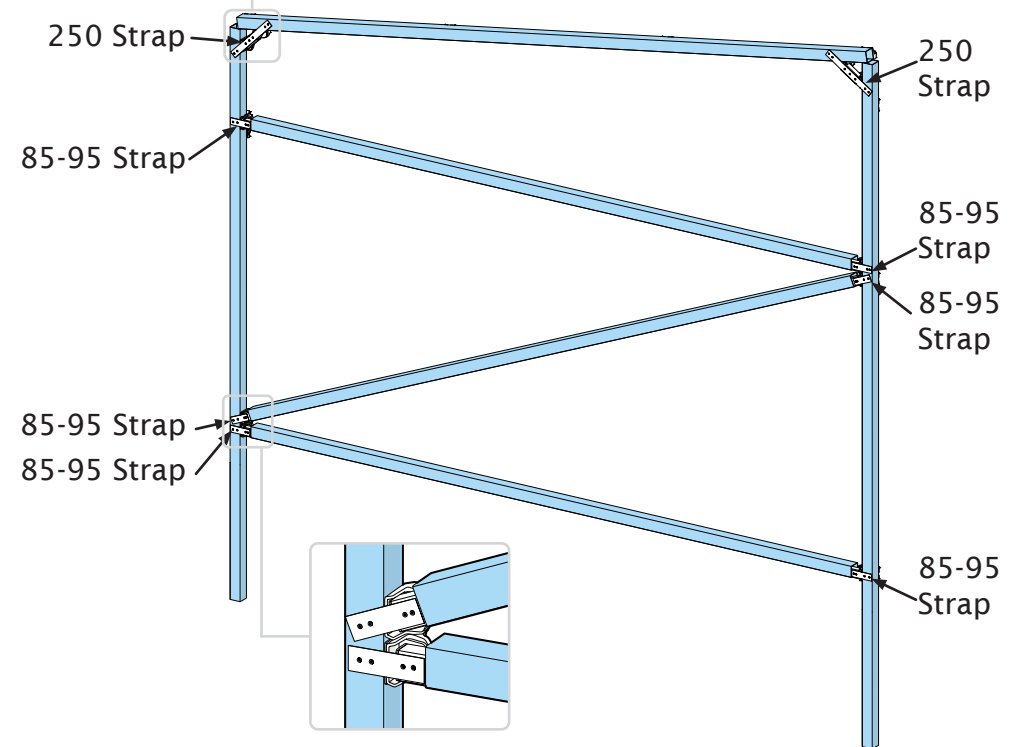
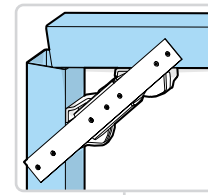
### Step 3

Attach 3 rail items below



### Step 4

Fix tension strapping to framing



Approximate time  
required: 0.25 Hours

# Assembly Sequence

'The Classic'

3m x 3m x 2.45m Shed

Region A

User Manual

Read in conjunction with  
Kwiktech Build Guide and  
Kwiktech Tips & Tricks

Designed by

**kwiktech.**

Engineered by

**sbec.** SCHMIDT  
BENTLEY  
ENGINEERING  
CONSULTING

Rating: Region A

Rev 2.1

This Manual is the sole property of  
Kwiktech Pty Ltd.  
All rights are reserved.

This Manual is designed to be only  
used with Kwiktech  
produced products.

No part of this Manual or the  
Kwiktech product design may be  
copied or reproduced without the  
consent of Kwiktech Pty Ltd.

Construction using Kwiktech  
products may require planning  
approval. Always contact your Local  
Council for the most up-to-date  
rules and regulations for your area.

All dimensions are in millimeters  
(mm)

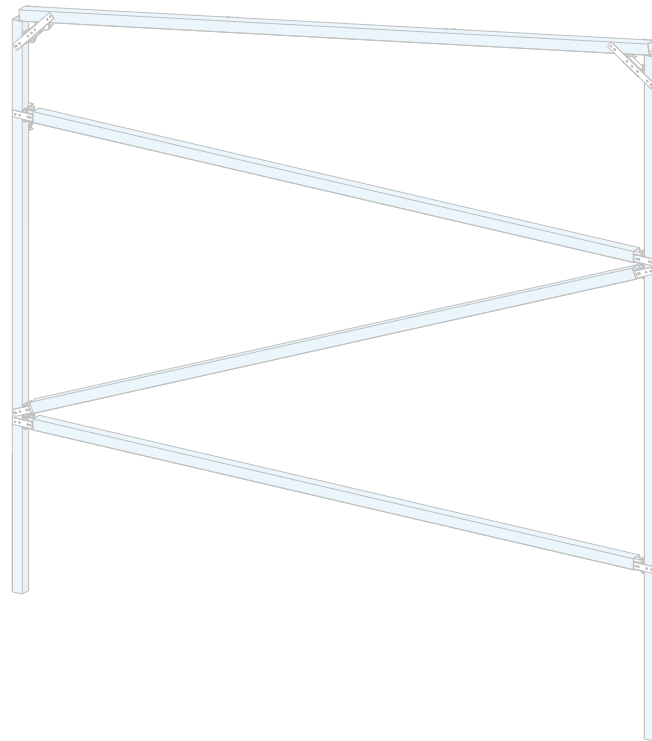
[www.kwiktech.com.au](http://www.kwiktech.com.au)  
© Kwiktech Pty Ltd 2022

## Build Right Wall

Right side assembly steps the  
same as the left but mirrored.

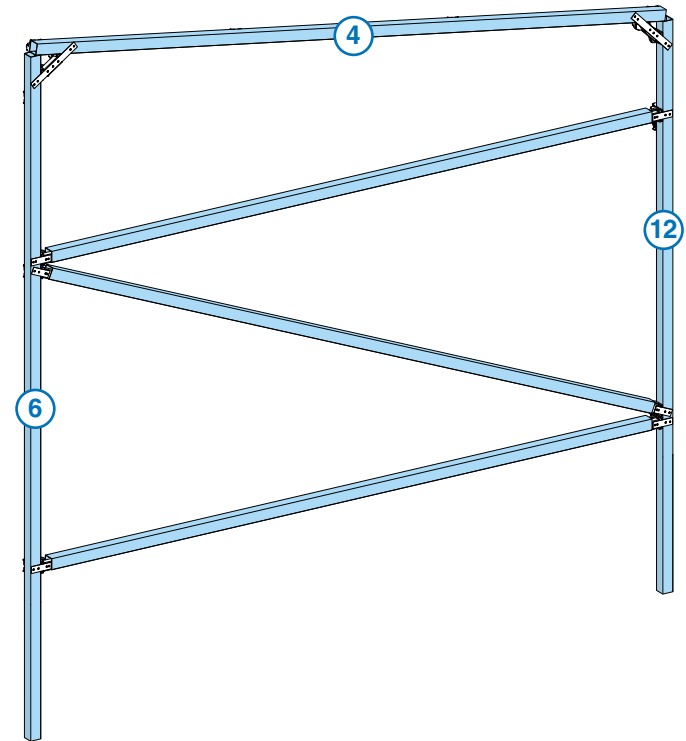
### Step 5

Left wall finished



### Step 6

Repeat previous steps for right wall



Approximate time  
required: 0.5 Hours

# Assembly Sequence

'The Classic'

3m x 3m x 2.45m Shed

Region A

User Manual

Read in conjunction with  
Kwiktech Build Guide and  
Kwiktech Tips & Tricks

Designed by

**kwiktech.**

Engineered by

**sbec.** SCHMIDT  
BENTLEY  
ENGINEERING  
CONSULTING

Rating: Region A

Rev 2.1

This Manual is the sole property of  
Kwiktech Pty Ltd.  
All rights are reserved.

This Manual is designed to be only  
used with Kwiktech  
produced products.

No part of this Manual or the  
Kwiktech product design may be  
copied or reproduced without the  
consent of Kwiktech Pty Ltd.

Construction using Kwiktech  
products may require planning  
approval. Always contact your Local  
Council for the most up-to-date  
rules and regulations for your area.

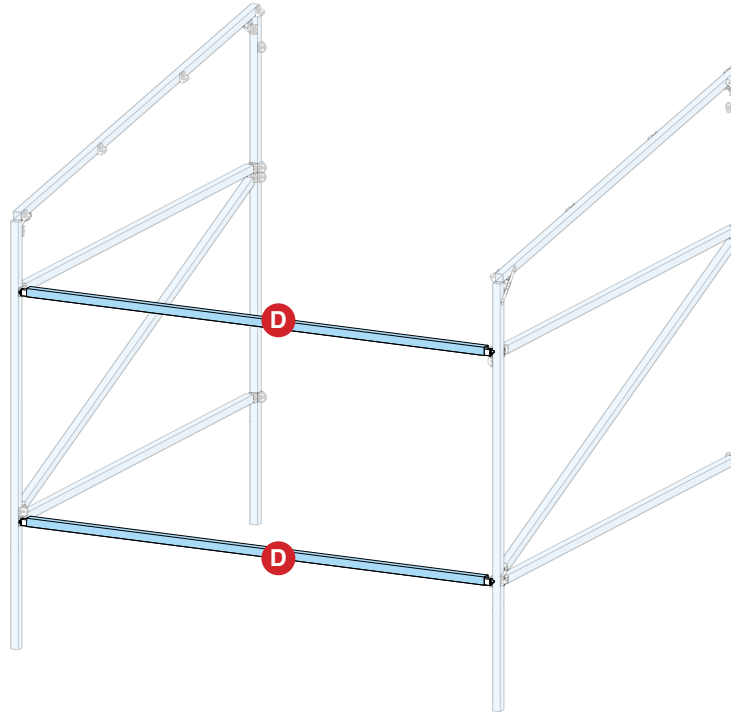
All dimensions are in millimeters  
(mm)

[www.kwiktech.com.au](http://www.kwiktech.com.au)  
© Kwiktech Pty Ltd 2022

## Fix Walls Together with back members

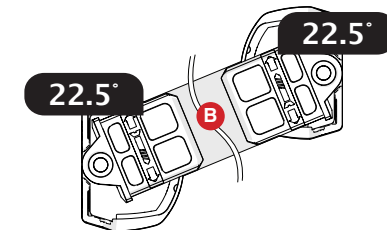
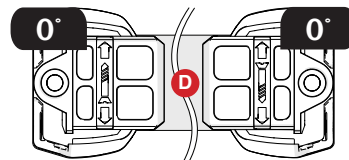
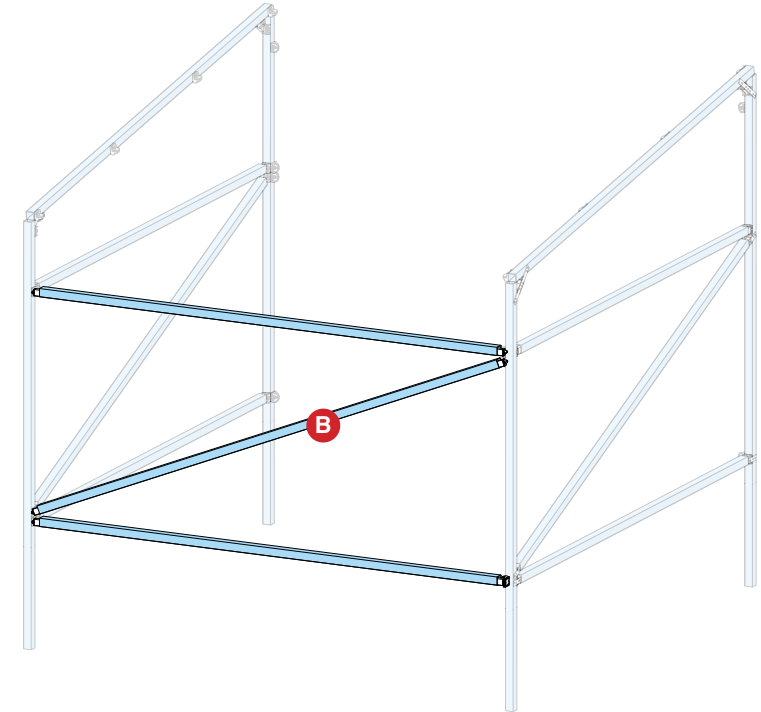
### Step 1

Attach 2 rail items below



### Step 2

Attach the rail below



Approximate time  
required: 0.25 Hours

# Assembly Sequence

'The Classic'

3m x 3m x 2.45m Shed

Region A

User Manual

Read in conjunction with  
Kwiktech Build Guide and  
Kwiktech Tips & Tricks

Designed by

**kwiktech.**

Engineered by

**sbec.** SCHMIDT  
BENTLEY  
ENGINEERING  
CONSULTING

Rating: Region A

Rev 2.1

This Manual is the sole property of  
Kwiktech Pty Ltd.  
All rights are reserved.

This Manual is designed to be only  
used with Kwiktech  
produced products.

No part of this Manual or the  
Kwiktech product design may be  
copied or reproduced without the  
consent of Kwiktech Pty Ltd.

Construction using Kwiktech  
products may require planning  
approval. Always contact your Local  
Council for the most up-to-date  
rules and regulations for your area.

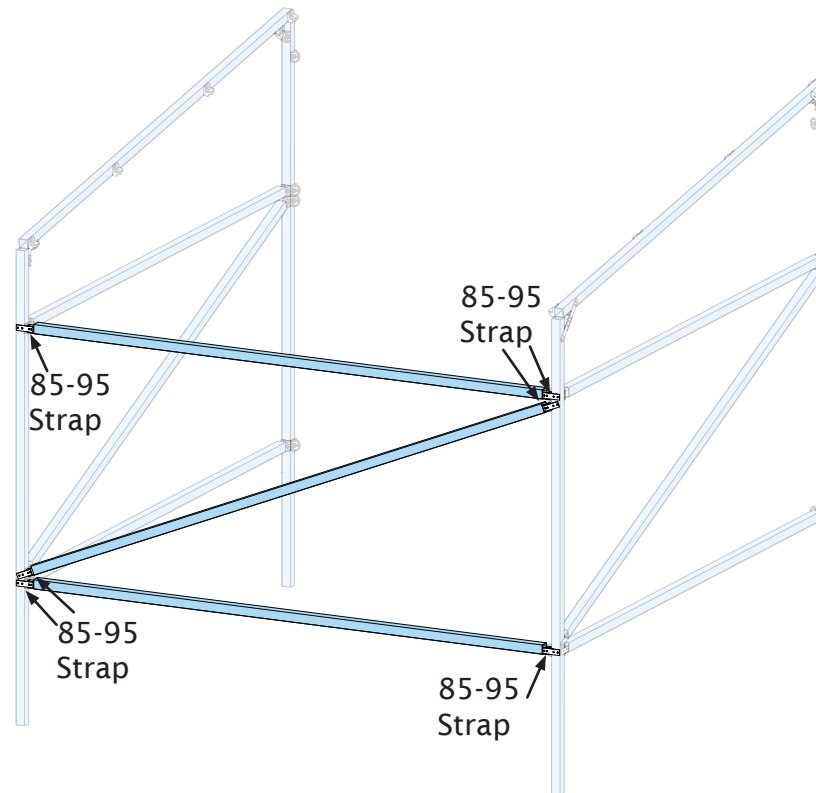
All dimensions are in millimeters  
(mm)

[www.kwiktech.com.au](http://www.kwiktech.com.au)  
© Kwiktech Pty Ltd 2022

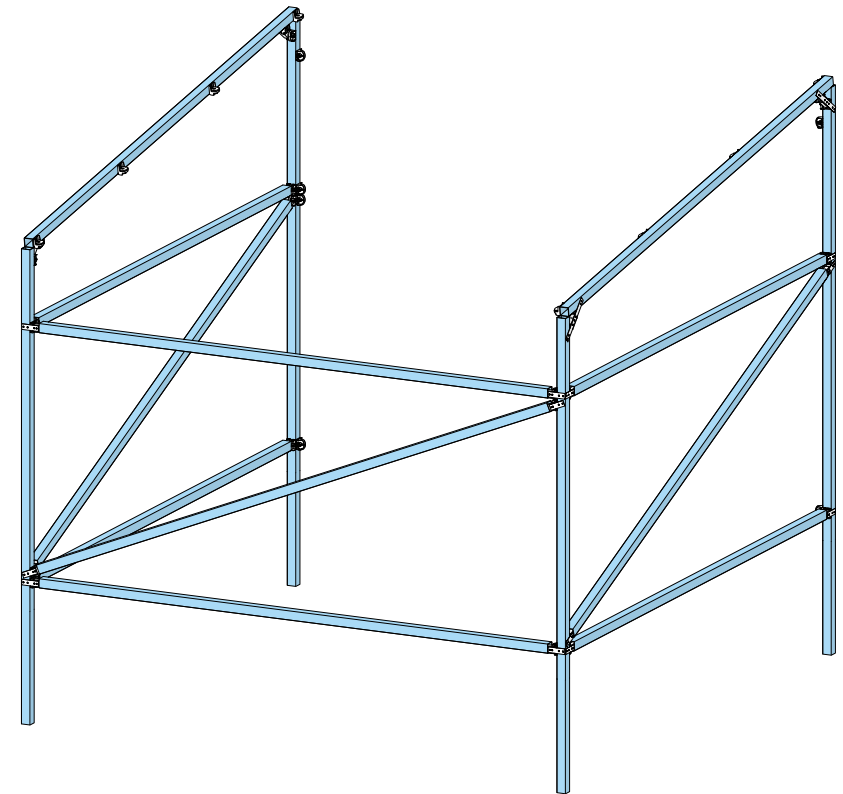
## Fix Walls Together

### Step 3

Fix tension strapping to framing



### Finished Back & Sides



Approximate time  
required: 0.25 Hours

# Assembly Sequence

'The Classic'

3m x 3m x 2.45m Shed

Region A

User Manual

Read in conjunction with  
Kwiktech Build Guide and  
Kwiktech Tips & Tricks

Designed by

**kwiktech.**

Engineered by

**sbec.** SCHMIDT  
BENTLEY  
ENGINEERING  
CONSULTING

Rating: Region A

Rev 2.1

This Manual is the sole property of  
Kwiktech Pty Ltd.  
All rights are reserved.

This Manual is designed to be only  
used with Kwiktech  
produced products.

No part of this Manual or the  
Kwiktech product design may be  
copied or reproduced without the  
consent of Kwiktech Pty Ltd.

Construction using Kwiktech  
products may require planning  
approval. Always contact your Local  
Council for the most up-to-date  
rules and regulations for your area.

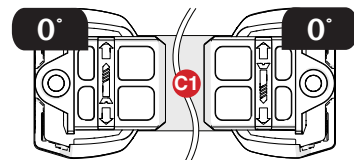
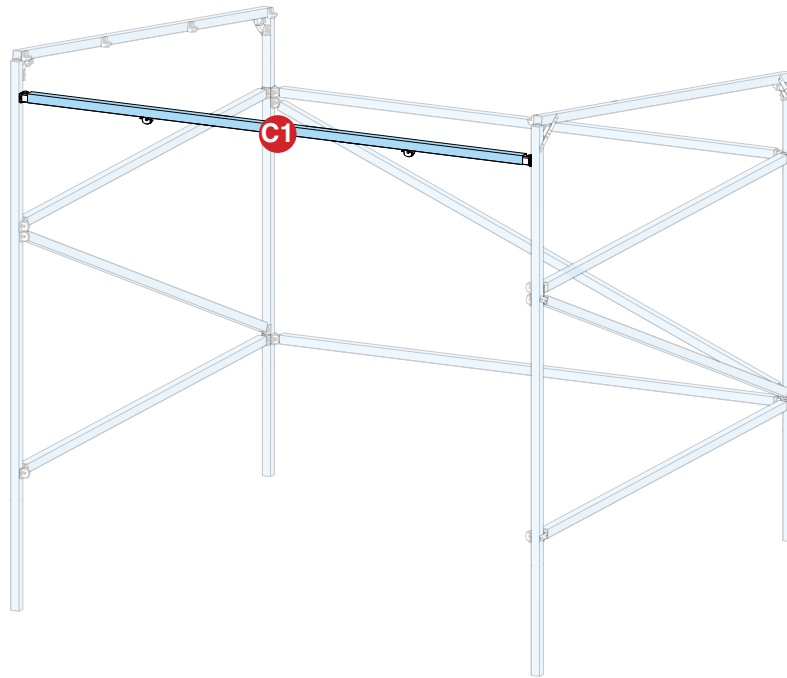
All dimensions are in millimeters  
(mm)

[www.kwiktech.com.au](http://www.kwiktech.com.au)  
© Kwiktech Pty Ltd 2022

## Fix together with Front

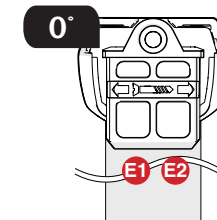
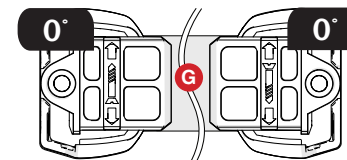
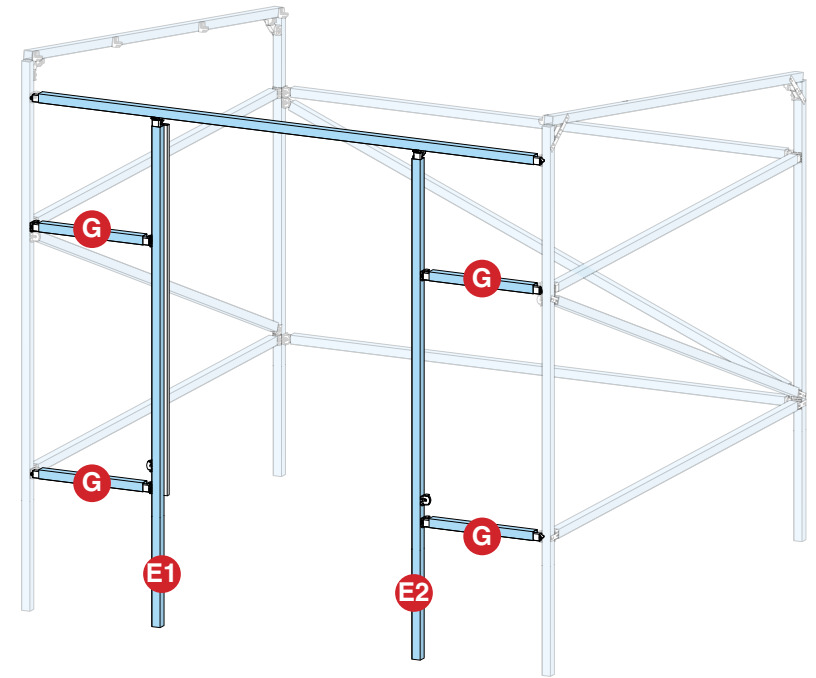
### Step 1

Attach the rail below



### Step 2

Attach the 6 rail items below



Approximate time  
required: 0.5 Hours



# Assembly Sequence

'The Classic'

3m x 3m x 2.45m Shed

Region A

User Manual

Read in conjunction with  
Kwiktech Build Guide and  
Kwiktech Tips & Tricks

Designed by

**kwiktech.**

Engineered by

**sbec.** SCHMIDT  
BENTLEY  
ENGINEERING  
CONSULTING

Rating: Region A

Rev 2.1

This Manual is the sole property of  
Kwiktech Pty Ltd.  
All rights are reserved.

This Manual is designed to be only  
used with Kwiktech  
produced products.

No part of this Manual or the  
Kwiktech product design may be  
copied or reproduced without the  
consent of Kwiktech Pty Ltd.

Construction using Kwiktech  
products may require planning  
approval. Always contact your Local  
Council for the most up-to-date  
rules and regulations for your area.

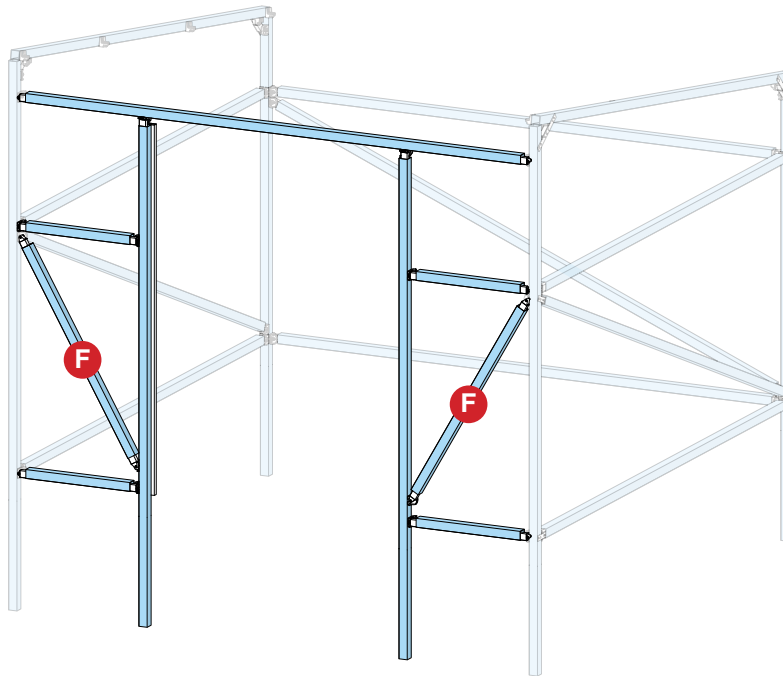
All dimensions are in millimeters  
(mm)

[www.kwiktech.com.au](http://www.kwiktech.com.au)  
© Kwiktech Pty Ltd 2022

## Fix together with Front

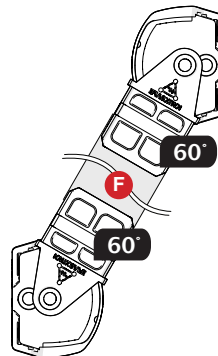
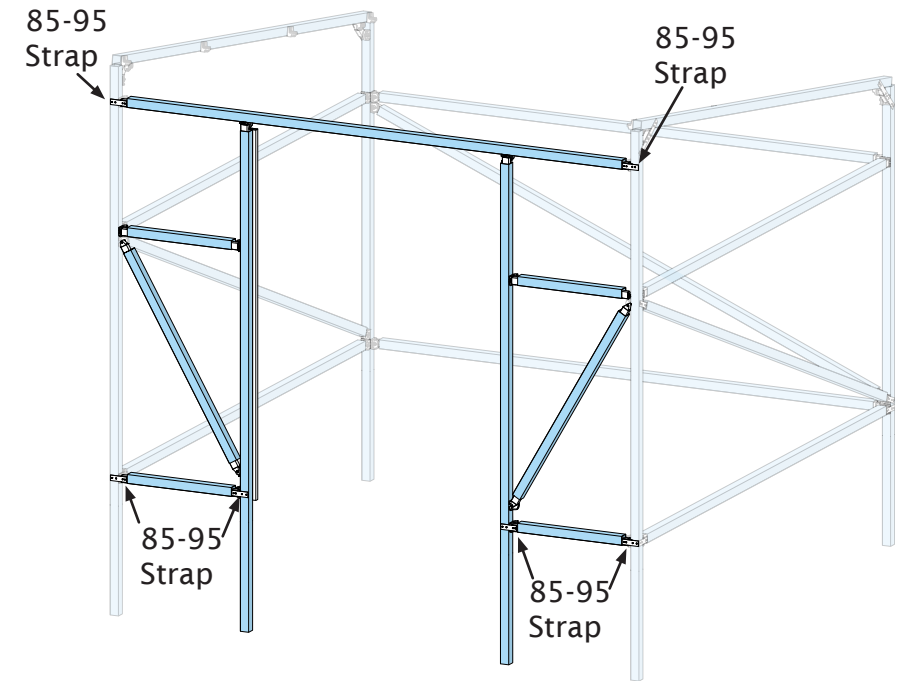
### Step 3

Attach 2 rail items below



### Step 4

Fix tension strapping to framing



Approximate time  
required: 0.75 Hours

# Temporary Corner Stiffeners

'The Classic'

3m x 3m x 2.45m Shed

Region A

User Manual

Read in conjunction with  
Kwiktech Build Guide and  
Kwiktech Tips & Tricks

Designed by



Engineered by



Rating: Region A

Rev 2.1

This Manual is the sole property of  
Kwiktech Pty Ltd.  
All rights are reserved.

This Manual is designed to be only  
used with Kwiktech  
produced products.

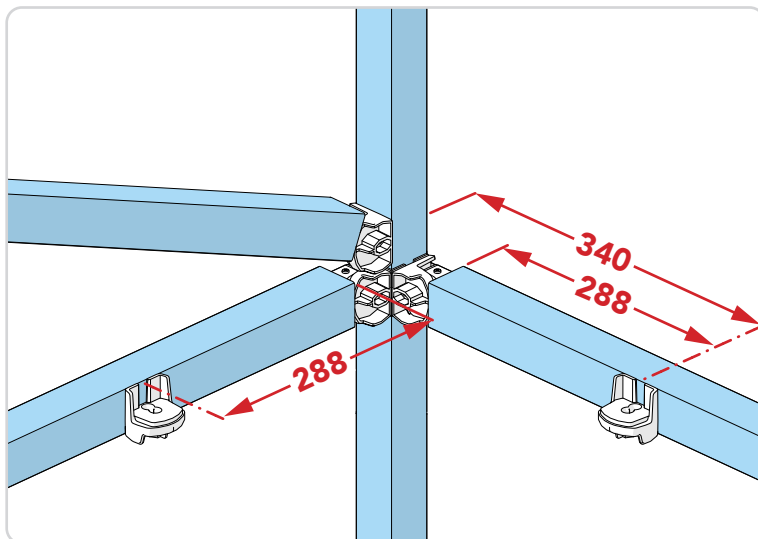
No part of this Manual or the  
Kwiktech product design may be  
copied or reproduced without the  
consent of Kwiktech Pty Ltd.

Construction using Kwiktech  
products may require planning  
approval. Always contact your Local  
Council for the most up-to-date  
rules and regulations for your area.

All dimensions are in millimeters  
(mm)

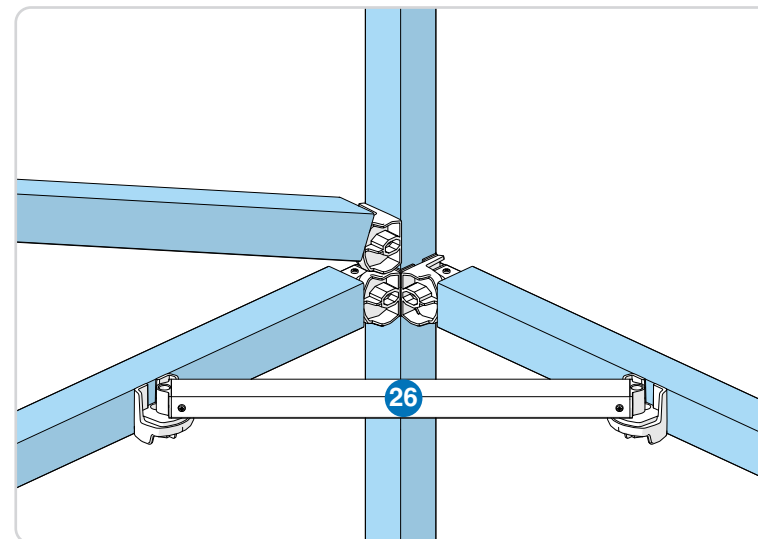
www.kwiktech.com.au  
© Kwiktech Pty Ltd 2022

Optional Bracing if DIY  
frame kit was purchased.

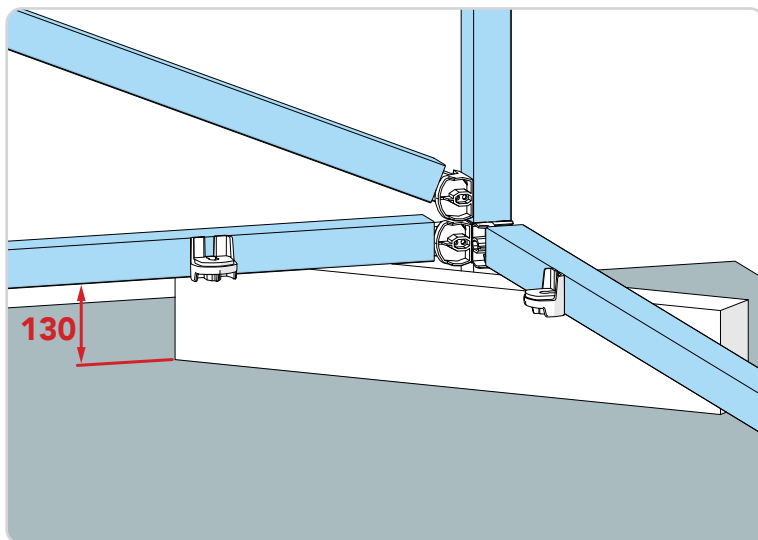


Fix 2 Universal connectors in the positions shown in all 4 corners.

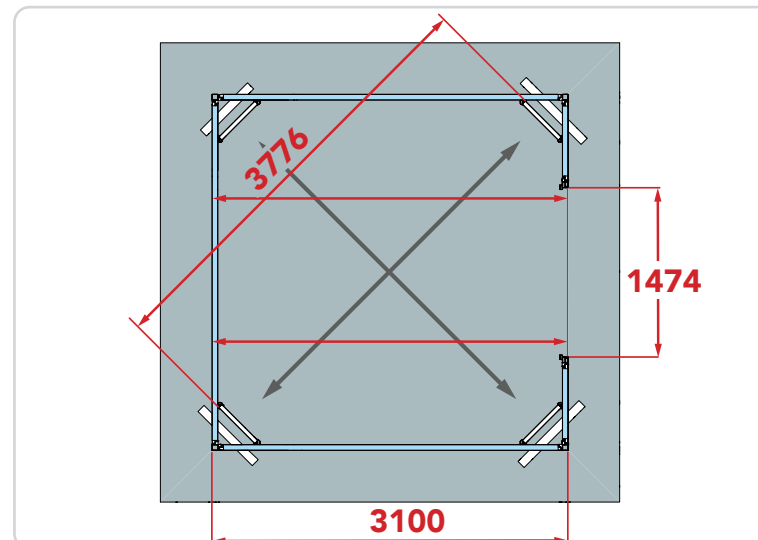
Optional temporary base corner stiffeners



Fit Item 26 into the corners to tie shed square before ground fixing. Once secured to ground, remove these bases & the universal connectors.



Pack approximately 130mm and shim as required to achieve a level shed. Use a spirit level to check horizontal members.



Push or pull shed corners as required to assist in fitting the corner bracing. Ensure dimensions match the ones stated above before fixing. Additional supports maybe required.

Approximate time  
required: 0.5 Hours

# Assembly Sequence

'The Classic'

3m x 3m x 2.45m Shed

Region A

User Manual

Read in conjunction with  
Kwiktech Build Guide and  
Kwiktech Tips & Tricks

Designed by

**kwiktech.**

Engineered by

**sbec.** SCHMIDT  
BENTLEY  
ENGINEERING  
CONSULTING

Rating: Region A

Rev 2.1

This Manual is the sole property of  
Kwiktech Pty Ltd.  
All rights are reserved.

This Manual is designed to be only  
used with Kwiktech  
produced products.

No part of this Manual or the  
Kwiktech product design may be  
copied or reproduced without the  
consent of Kwiktech Pty Ltd.

Construction using Kwiktech  
products may require planning  
approval. Always contact your Local  
Council for the most up-to-date  
rules and regulations for your area.

All dimensions are in millimeters  
(mm)

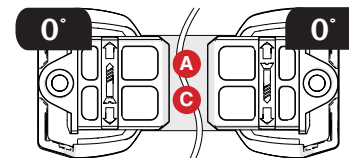
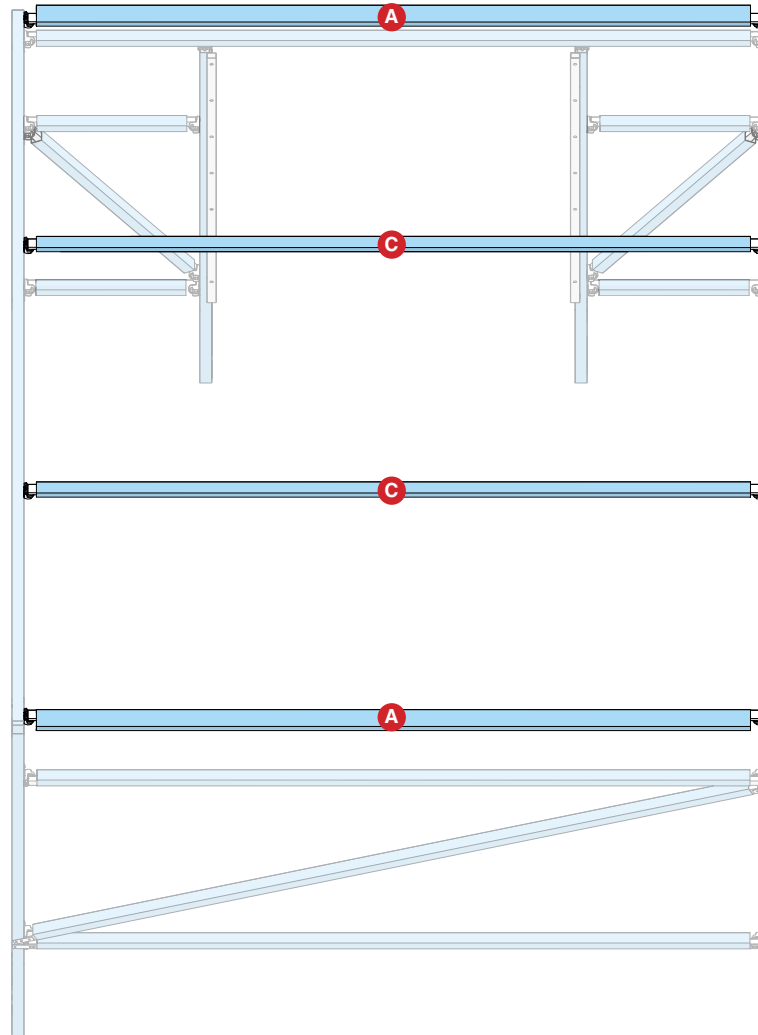
[www.kwiktech.com.au](http://www.kwiktech.com.au)  
© Kwiktech Pty Ltd 2022

Approximate time  
required: 0.25 Hours

## Tie square with Roof

### Step 1

Attach 4 rail items below



# Flashing Types

'The Classic'  
3m x 3m x 2.45m Shed  
Region A  
User Manual

Read in conjunction with  
Kwiktech Build Guide and  
Kwiktech Tips & Tricks

Designed by



Engineered by



Rating: Region A

Rev 2.1

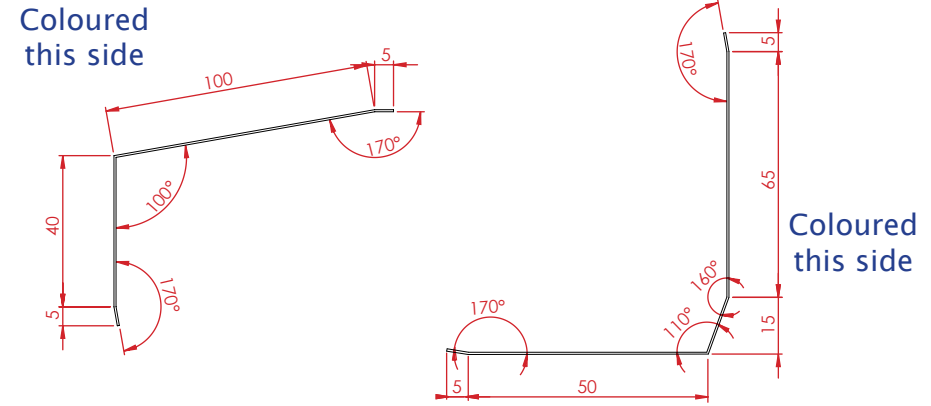
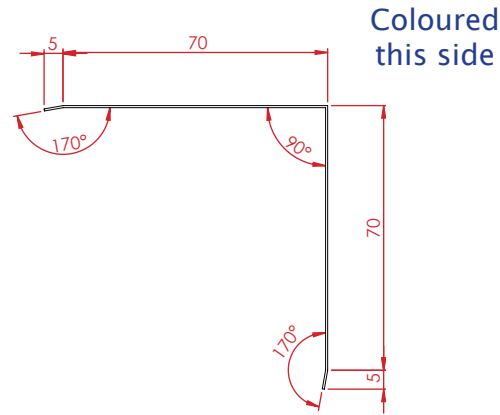
This Manual is the sole property of  
Kwiktech Pty Ltd.  
All rights are reserved.

This Manual is designed to be only  
used with Kwiktech  
produced products.

No part of this Manual or the  
Kwiktech product design may be  
copied or reproduced without the  
consent of Kwiktech Pty Ltd.

Construction using Kwiktech  
products may require planning  
approval. Always contact your Local  
Council for the most up-to-date  
rules and regulations for your area.

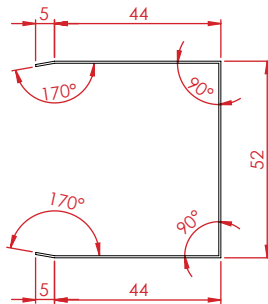
All dimensions are in millimeters  
(mm)



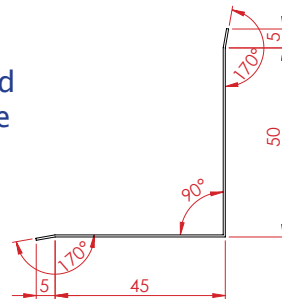
FL 1	FL 2	FL 3	FL 5
<b>KT-FLP-01</b>	<b>KT-FLP-01</b>	<b>KT-FLP-01</b>	<b>KT-FLP-01</b>
3310mm	3170mm	2450mm	1940mm
0.42 BMT	0.42 BMT	0.42 BMT	0.42 BMT
QTY: 2	QTY: 1	QTY: 2	QTY: 2

FL 4
<b>KT-FLP-02</b>
3150mm
0.42 BMT
QTY: 1

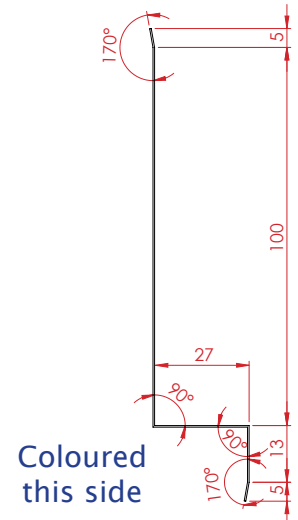
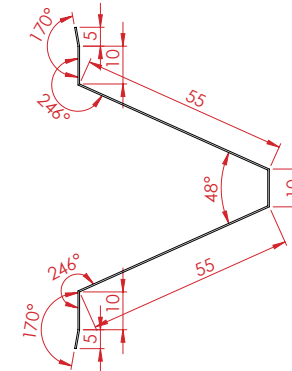
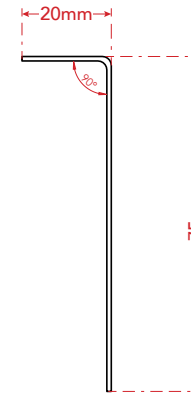
FL 6
<b>KT-FLP-03</b>
2172mm
0.42 BMT
QTY: 2



Coloured  
this side



Coloured  
this side



FL 7
<b>KT-FLP-04</b>
2165mm
0.42 BMT
QTY: 2

FL 8
<b>KT-FLP-05</b>
1590mm
0.42 BMT
QTY: 1

FL 9.1
<b>KT-FLP-10</b>
40mm
1.6 Galv
QTY: 1

FL 9.2
<b>KT-FLP-06</b>
40mm
1.2 Galv
QTY: 1


FL 10
<b>KT-FLP-07</b>
1518mm
0.42 BMT
QTY: 1

# Door Assembly

'The Classic'  
 3m x 3m x 2.45m Shed  
 Region A  
 User Manual

Read in conjunction with  
 Kwiktech Build Guide and  
 Kwiktech Tips & Tricks

Designed by  


Engineered by  
 SCHMIDT  
 BENTLEY  
 ENGINEERING  
 CONSULTING

Rating: Region A  
 Rev 2.1

This Manual is the sole property of  
 Kwiktech Pty Ltd.  
 All rights are reserved.

This Manual is designed to be only  
 used with Kwiktech  
 produced products.

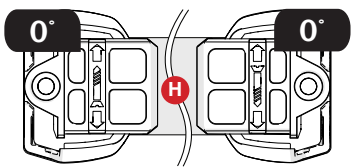
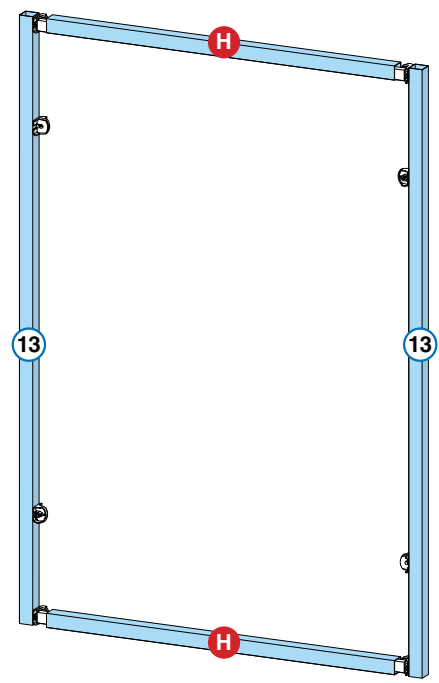
No part of this Manual or the  
 Kwiktech product design may be  
 copied or reproduced without the  
 consent of Kwiktech Pty Ltd.

Construction using Kwiktech  
 products may require planning  
 approval. Always contact your Local  
 Council for the most up-to-date  
 rules and regulations for your area.

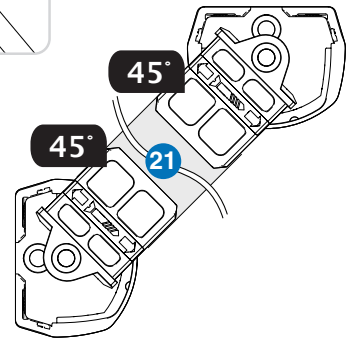
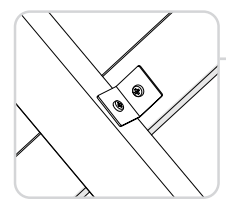
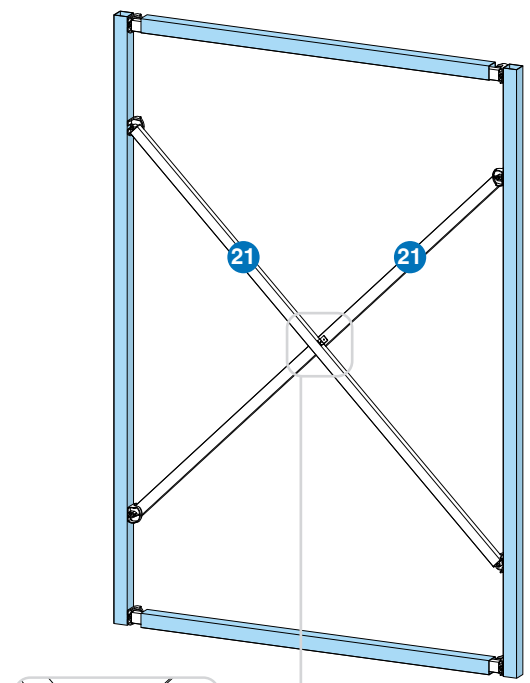
All dimensions are in millimeters  
 (mm)

[www.kwiktech.com.au](http://www.kwiktech.com.au)  
 © Kwiktech Pty Ltd 2022

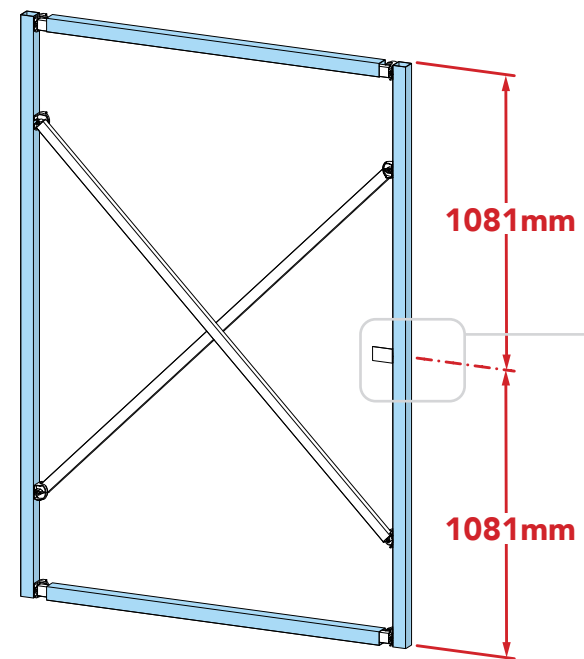
**Step 1**  
 Attach 2 rail items below



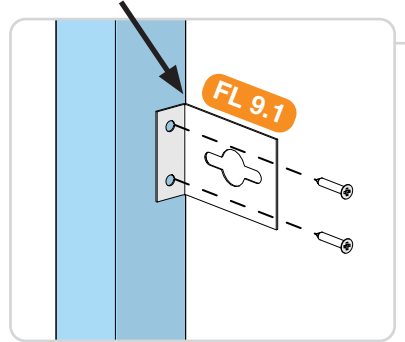
**Step 2**  
 Attach 2 rail items below



**Step 3**  
 Fix handle plate to post



Front faces flush. Fix with 2 x  
 wafer head screws. Recommend  
 pre-drilling and using clamp  
 when fixing bracket to frame



View from back of door

Approximate time  
 required: 0.5 Hours

# Door Assembly

'The Classic'  
3m x 3m x 2.45m Shed  
Region A  
User Manual

Read in conjunction with  
Kwiktech Build Guide and  
Kwiktech Tips & Tricks

Designed by  
**kwiktech.**

Engineered by  
**sbec.** SCHMIDT  
BENTLEY  
ENGINEERING  
CONSULTING

Rating: Region A  
Rev 2.1

This Manual is the sole property of  
Kwiktech Pty Ltd.  
All rights are reserved.

This Manual is designed to be only  
used with Kwiktech  
produced products.

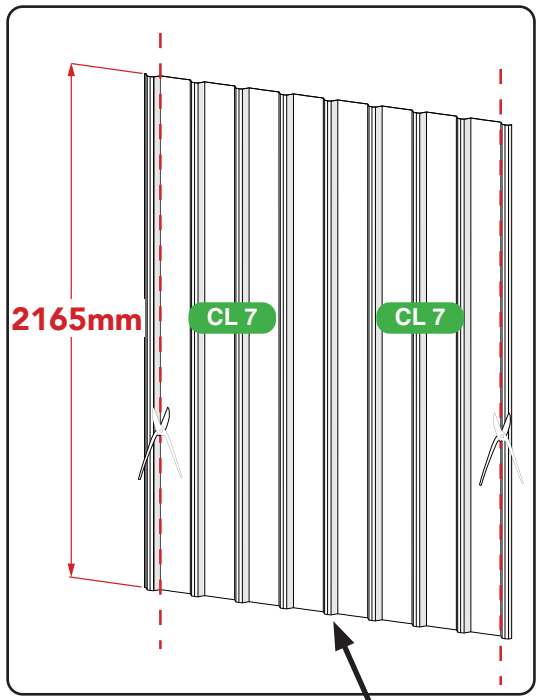
No part of this Manual or the  
Kwiktech product design may be  
copied or reproduced without the  
consent of Kwiktech Pty Ltd.

Construction using Kwiktech  
products may require planning  
approval. Always contact your Local  
Council for the most up-to-date  
rules and regulations for your area.

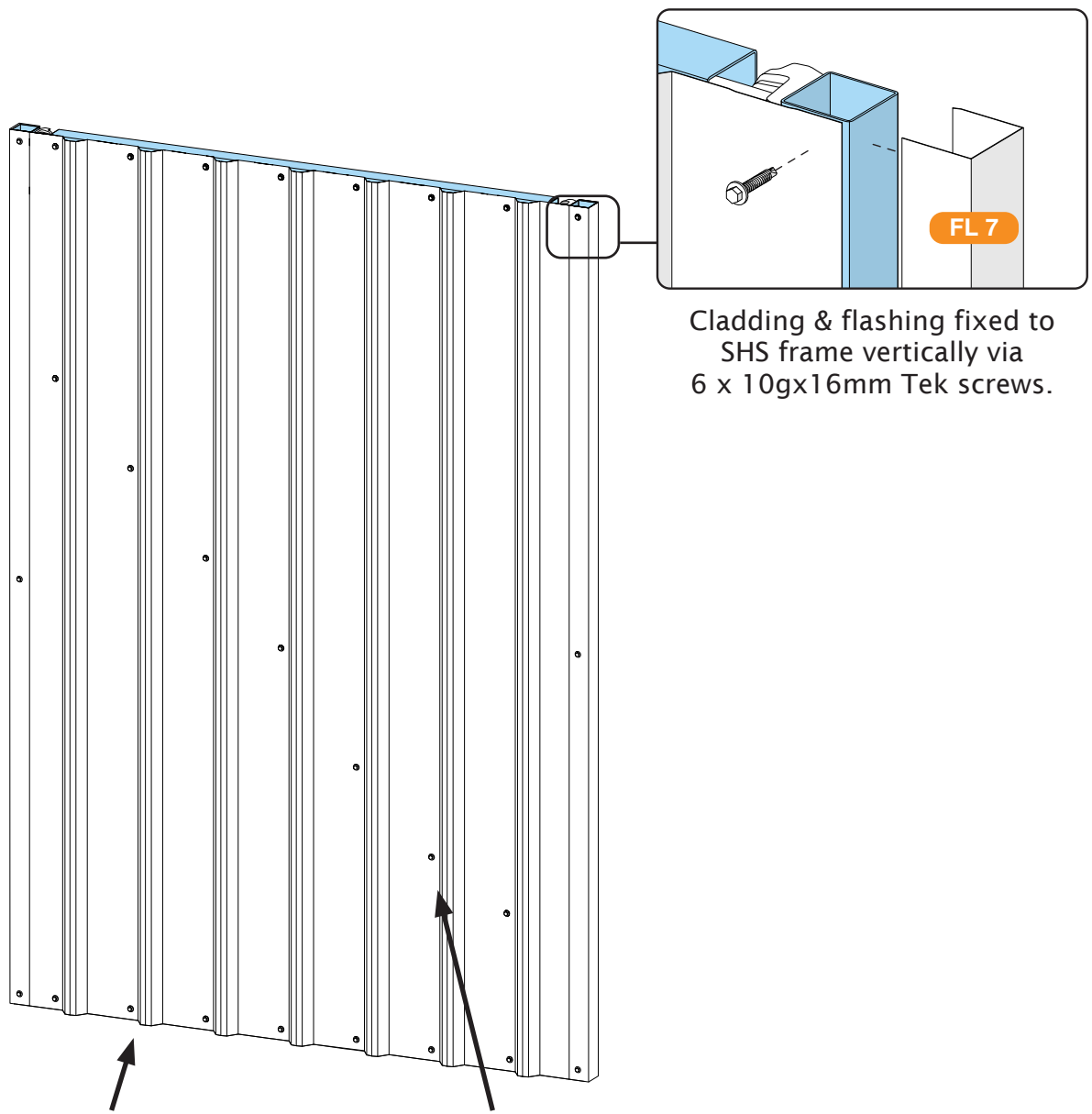
All dimensions are in millimeters  
(mm)

[www.kwiktech.com.au](http://www.kwiktech.com.au)  
© Kwiktech Pty Ltd 2022

## Step 4 Attach cladding & flashings



Door cladding to be overlapped in  
the middle & the outer peak on both  
sides to be trimmed off before fixing  
onto the SHS door frame.



Cladding & flashing fixed to  
SHS frame vertically via  
6 x 10gx16mm Tek screws.

Fix cladding to steel  
horizontally top & bot-  
tom with 10gx16mm Tek  
screws before every peak

Fix cladding to  
diagonal brace with  
10gx16mm Tek screws  
before every peak

Approximate time  
required: 0.5 Hours

# Door Assembly

'The Classic'  
 3m x 3m x 2.45m Shed  
 Region A  
 User Manual

Read in conjunction with  
 Kwiktech Build Guide and  
 Kwiktech Tips & Tricks



Engineered by



Rating: Region A  
 Rev 2.1

This Manual is the sole property of  
 Kwiktech Pty Ltd.  
 All rights are reserved.

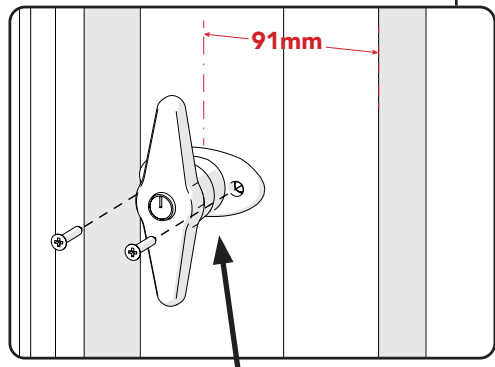
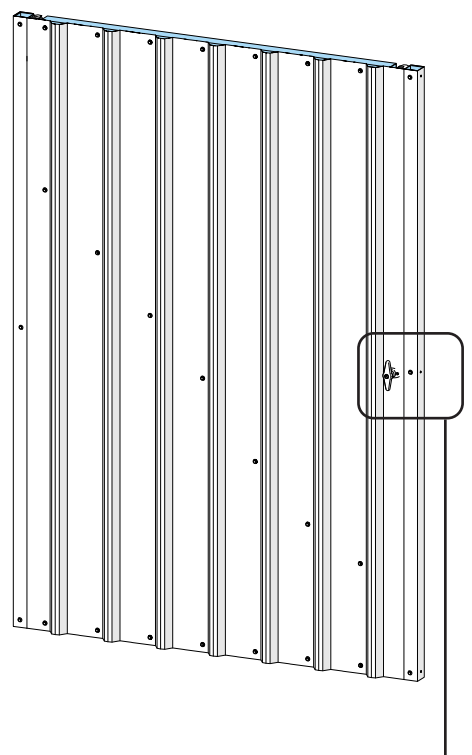
This Manual is designed to be only  
 used with Kwiktech  
 produced products.

No part of this Manual or the  
 Kwiktech product design may be  
 copied or reproduced without the  
 consent of Kwiktech Pty Ltd.

Construction using Kwiktech  
 products may require planning  
 approval. Always contact your Local  
 Council for the most up-to-date  
 rules and regulations for your area.

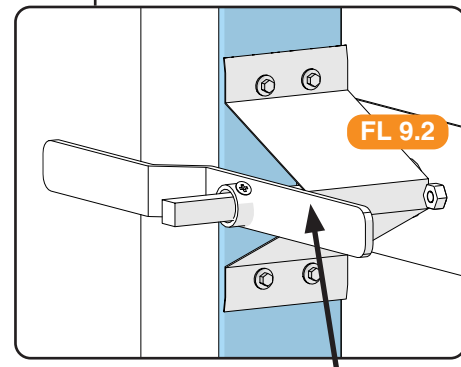
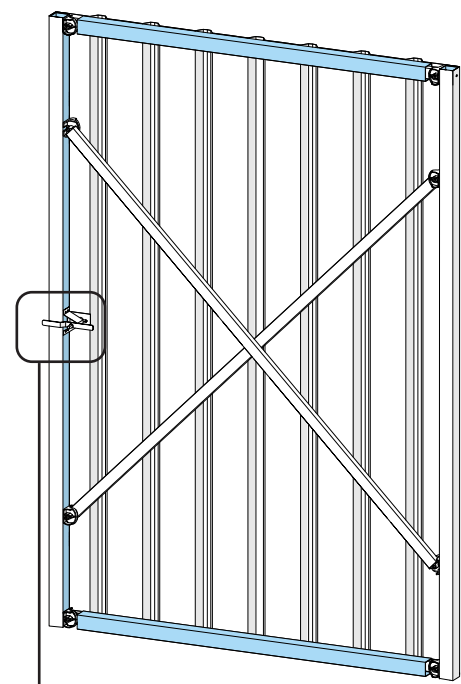
All dimensions are in millimeters  
 (mm)

**Step 5**  
 Fix handle through cladding  
 to plate



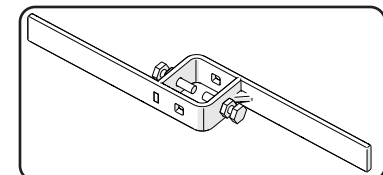
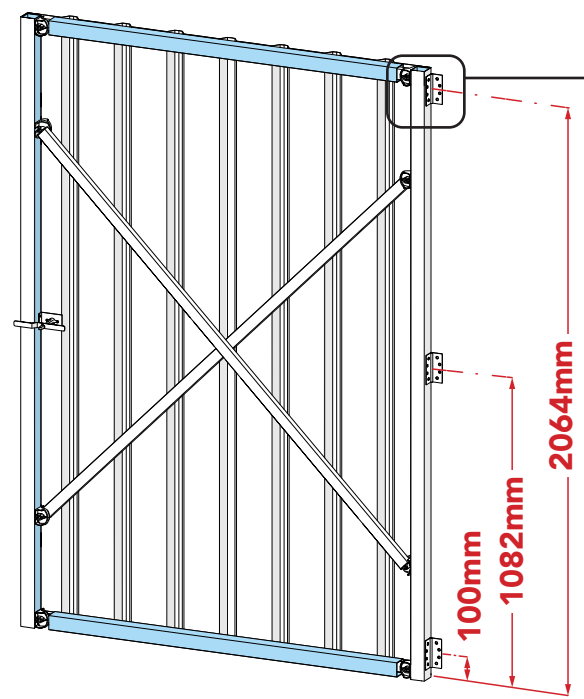
Fix as per manufactures instructions

**Step 6**  
 Loosely attach door latch & fit  
**FL 9.2** in place.

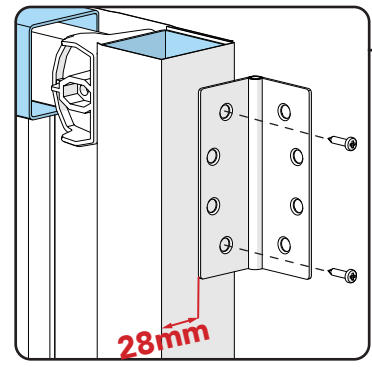


Tighten screw after door is fitted to frame. Refer to page 38. Fix **FL 9.2** in place with 2 10gx16mm tek screws top & bottom.

**Step 7**  
 Attach hinges to door post



Recommend using a heavy duty inner lock, such as the one pictured above.



Fix hinges in place with 2 x wafer head screws

Approximate time required: 0.75 Hours

# Cladding

'The Classic'  
3m x 3m x 2.45m Shed  
Region A  
User Manual

Read in conjunction with  
Kwiktech Build Guide and  
Kwiktech Tips & Tricks

Designed by

**kwiktech.**

Engineered by

**sbec.** SCHMIDT  
BENTLEY  
ENGINEERING  
CONSULTING

Rating: Region A

Rev 2.1

This Manual is the sole property of  
Kwiktech Pty Ltd.  
All rights are reserved.

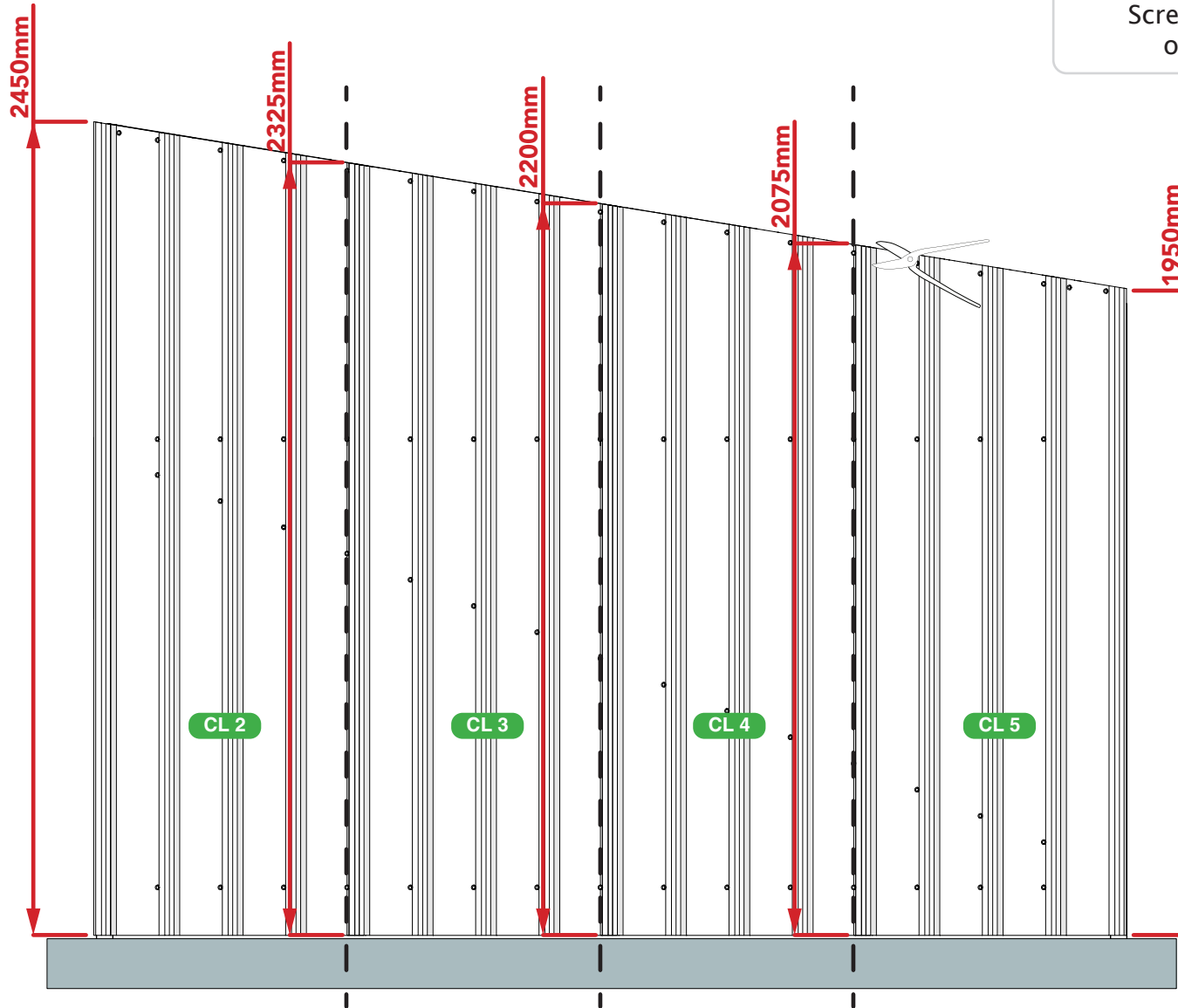
This Manual is designed to be only  
used with Kwiktech  
produced products.

No part of this Manual or the  
Kwiktech product design may be  
copied or reproduced without the  
consent of Kwiktech Pty Ltd.

Construction using Kwiktech  
products may require planning  
approval. Always contact your Local  
Council for the most up-to-date  
rules and regulations for your area.

All dimensions are in millimeters  
(mm)

[www.kwiktech.com.au](http://www.kwiktech.com.au)  
© Kwiktech Pty Ltd 2022



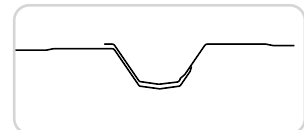
10gx16mm Tek screws used  
to fix cladding to SHS frame.  
Screws on one side  
of each peak.



Under peak  
always on the **left**  
side of each sheet  
when fixing to  
framework.



Over peak  
always on the **right**  
side of each sheet  
when fixing to  
framework.



Peak Connection

## Left & Right Walls

Note: CLD2 - CLD5 need to be trimmed to suit slope of roof

Approximate time  
required: 2 Hours



# Cladding

'The Classic'  
3m x 3m x 2.45m Shed  
Region A  
User Manual

Read in conjunction with  
Kwiktech Build Guide and  
Kwiktech Tips & Tricks

Designed by

**kwiktech.**

Engineered by

**sbec.** SCHMIDT  
BENTLEY  
ENGINEERING  
CONSULTING

Rating: Region A

Rev 2.1

This Manual is the sole property of  
Kwiktech Pty Ltd.  
All rights are reserved.

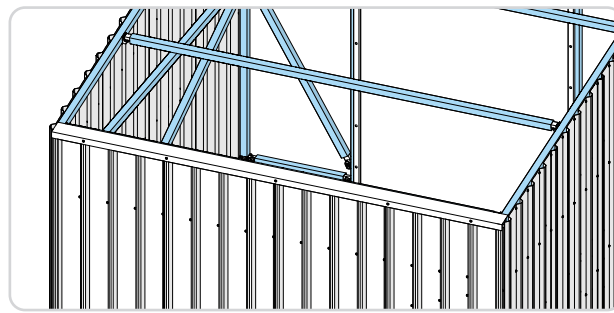
This Manual is designed to be only  
used with Kwiktech  
produced products.

No part of this Manual or the  
Kwiktech product design may be  
copied or reproduced without the  
consent of Kwiktech Pty Ltd.

Construction using Kwiktech  
products may require planning  
approval. Always contact your Local  
Council for the most up-to-date  
rules and regulations for your area.

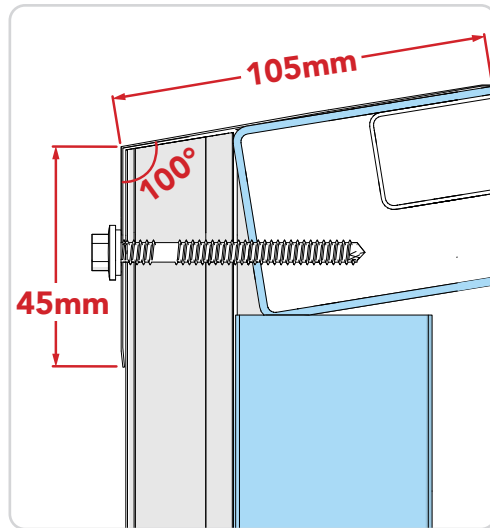
All dimensions are in millimeters  
(mm)

www.kwiktech.com.au  
© Kwiktech Pty Ltd 2022

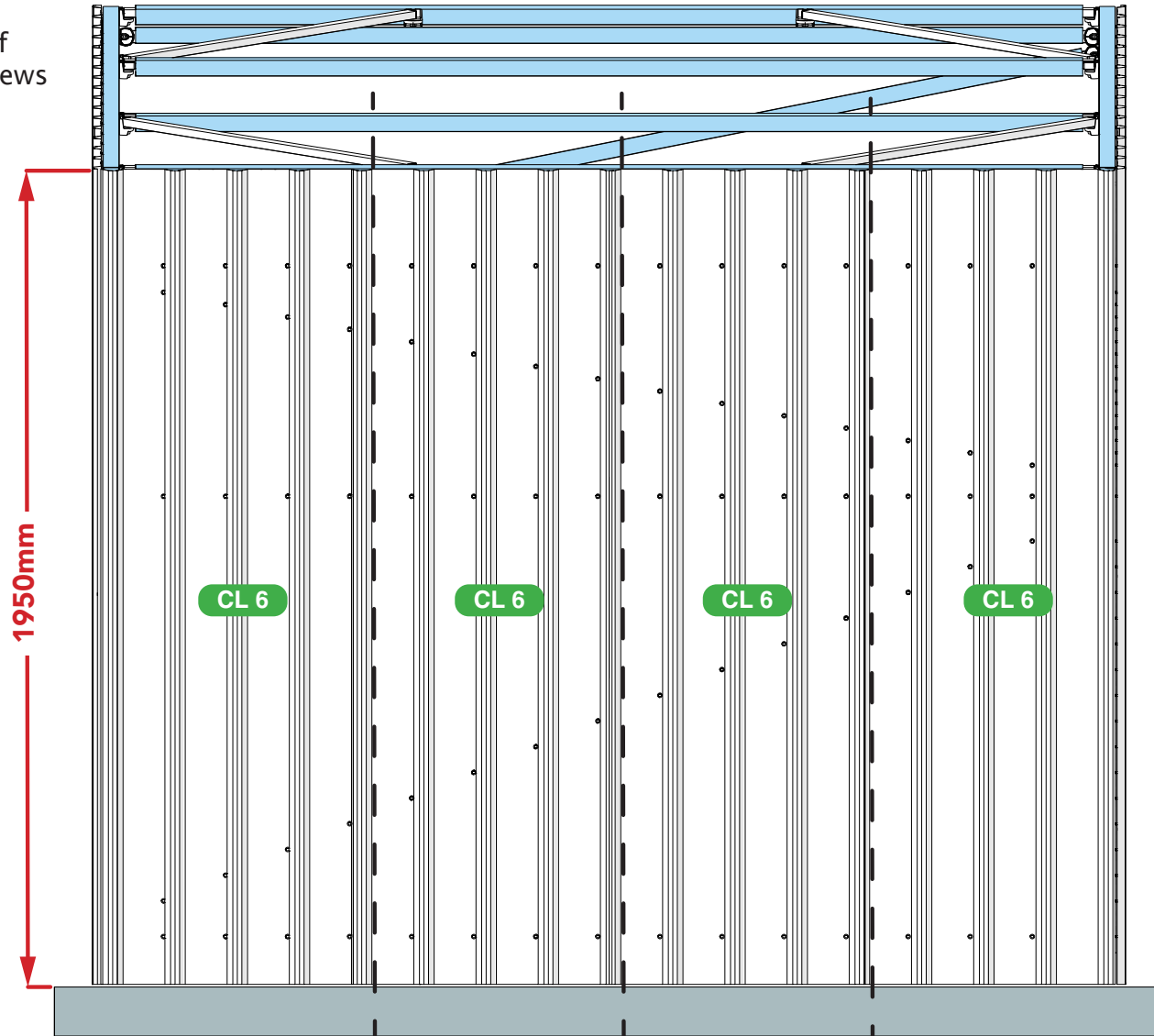


After installing CL6,  
install **FL 4** into the peaks of  
cladding with 6 x 12gx53mm screws

10gx16mm Tek screws used  
to fix cladding to SHS frame.  
Screws on one side  
of each peak.



Flashing dimensions



Note: Gutter attachments and  
Gutter can be added at this point  
if desired as an additional option.

Approximate time  
required: 1 Hours

Back

# Cladding

'The Classic'  
3m x 3m x 2.45m Shed  
Region A

User Manual

Read in conjunction with  
Kwiktech Build Guide and  
Kwiktech Tips & Tricks

Designed by

**kwiktech.**

Engineered by

**sbec.** SCHMIDT  
BENTLEY  
ENGINEERING  
CONSULTING

Rating: Region A

Rev 2.1

This Manual is the sole property of  
Kwiktech Pty Ltd.  
All rights are reserved.

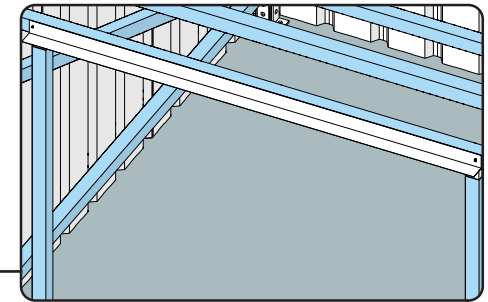
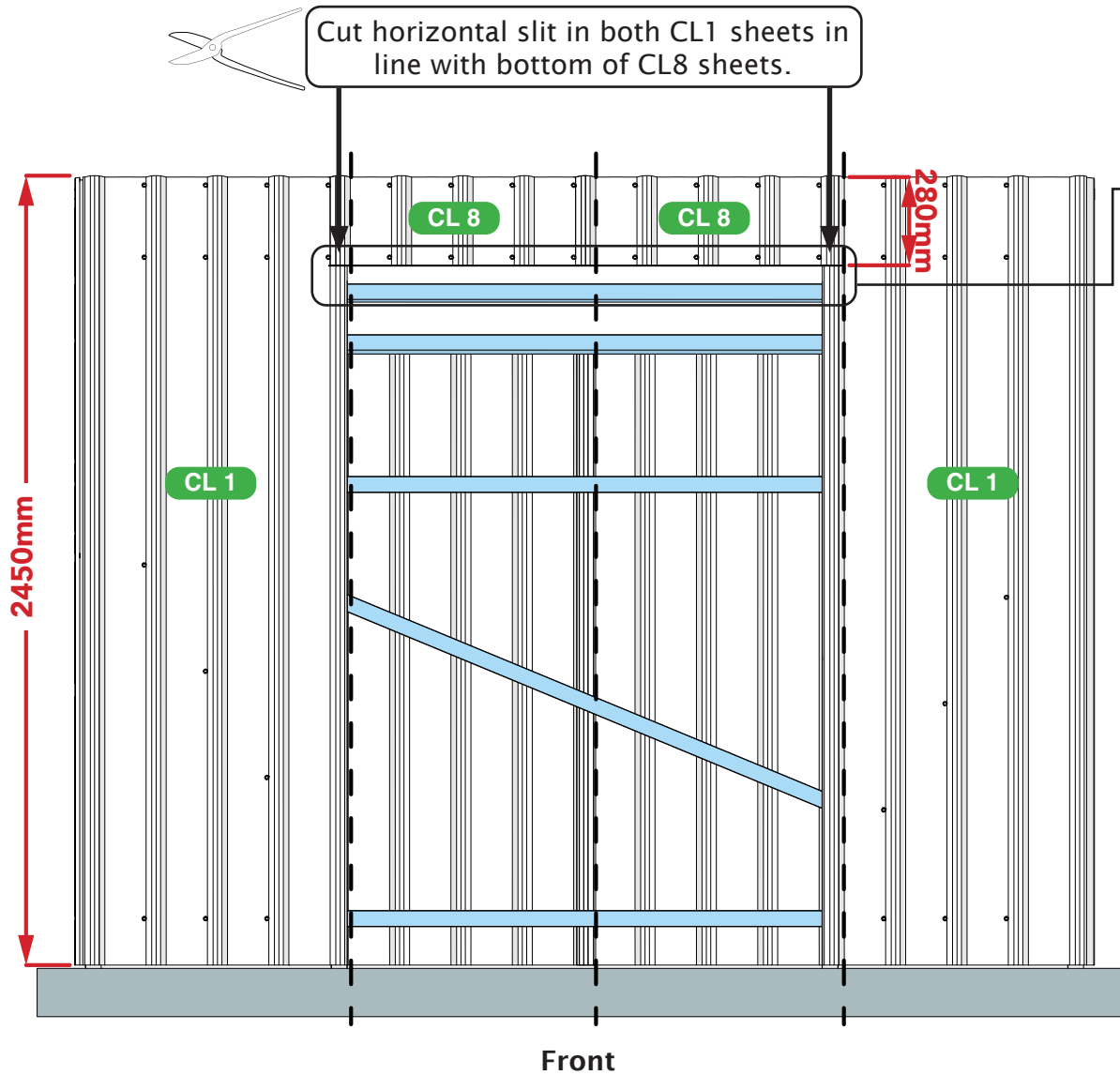
This Manual is designed to be only  
used with Kwiktech  
produced products.

No part of this Manual or the  
Kwiktech product design may be  
copied or reproduced without the  
consent of Kwiktech Pty Ltd.

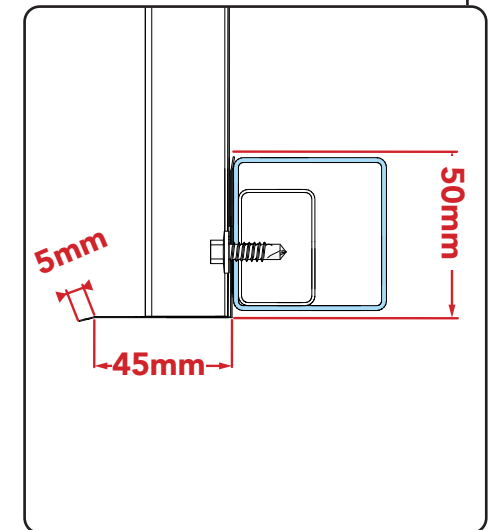
Construction using Kwiktech  
products may require planning  
approval. Always contact your Local  
Council for the most up-to-date  
rules and regulations for your area.

All dimensions are in millimeters  
(mm)

www.kwiktech.com.au  
© Kwiktech Pty Ltd 2022



Before installing CL8,  
install **FL 8** with 1 x flat  
top screw each end



Flashing dimensions

10gx16mm Tek screws used to fix cladding to SHS frame.  
Screws on one side of each peak.

Approximate time  
required: 1 Hour

# Cladding

'The Classic'  
3m x 3m x 2.45m Shed  
Region A  
User Manual

Read in conjunction with  
Kwiktech Build Guide and  
Kwiktech Tips & Tricks

Designed by

**kwiktech.**

Engineered by

**sbec.** SCHMIDT  
BENTLEY  
ENGINEERING  
CONSULTING

Rating: Region A

Rev 2.1

This Manual is the sole property of  
Kwiktech Pty Ltd.  
All rights are reserved.

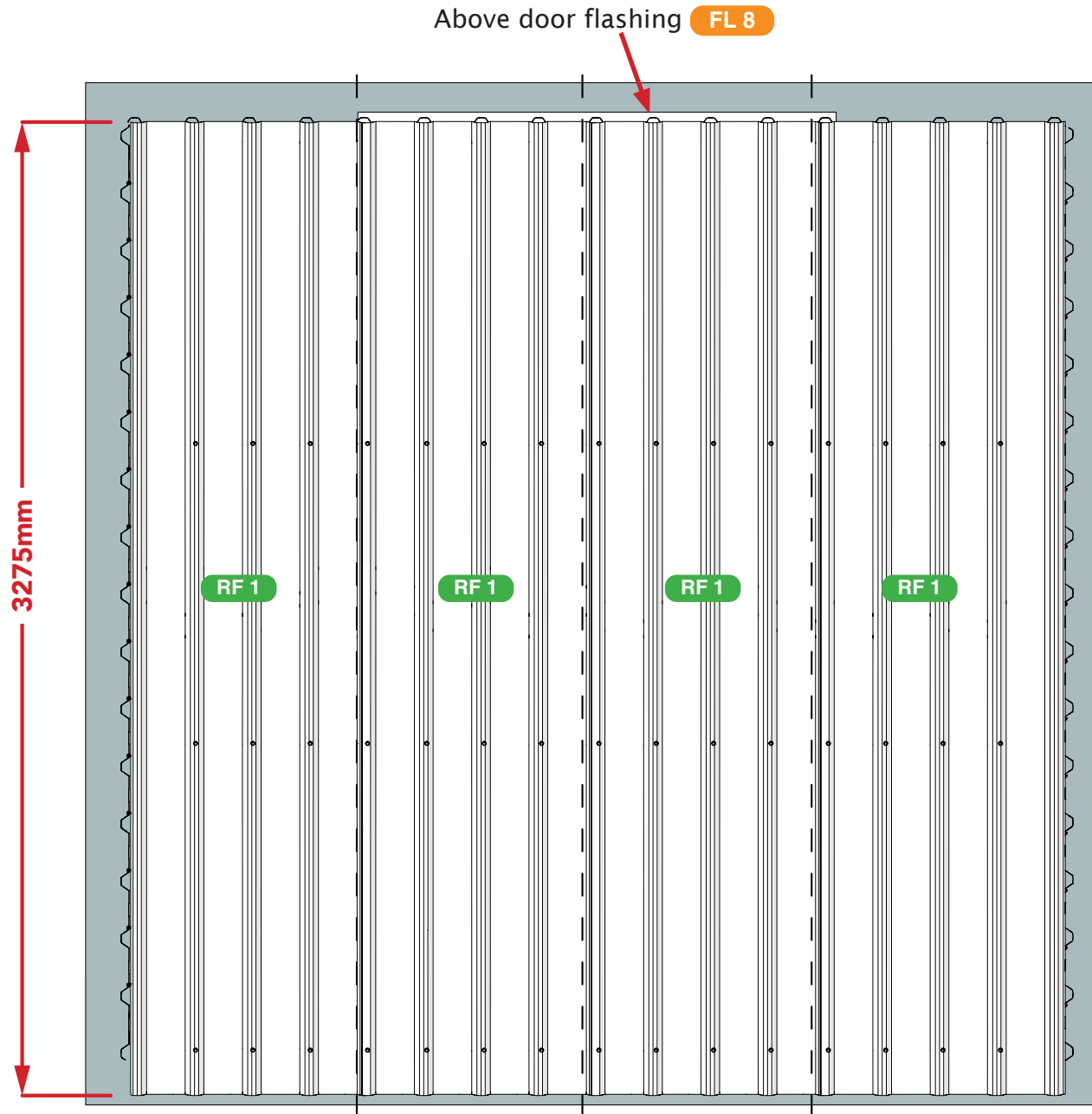
This Manual is designed to be only  
used with Kwiktech  
produced products.

No part of this Manual or the  
Kwiktech product design may be  
copied or reproduced without the  
consent of Kwiktech Pty Ltd.

Construction using Kwiktech  
products may require planning  
approval. Always contact your Local  
Council for the most up-to-date  
rules and regulations for your area.

All dimensions are in millimeters  
(mm)

[www.kwiktech.com.au](http://www.kwiktech.com.au)  
© Kwiktech Pty Ltd 2022



12gx53mm tek screws  
used to fix cladding  
to SHS frame. Screw  
through the peaks.

Roof  
(Plan view)

# Internal Above Door Flashing

'The Classic'

3m x 3m x 2.45m Shed

Region A

User Manual

Read in conjunction with  
Kwiktech Build Guide and  
Kwiktech Tips & Tricks

Designed by

**kwiktech.**

Engineered by

**sbec.** SCHMIDT  
BENTLEY  
ENGINEERING  
CONSULTING

Rating: Region A

Rev 2.1

This Manual is the sole property of  
Kwiktech Pty Ltd.  
All rights are reserved.

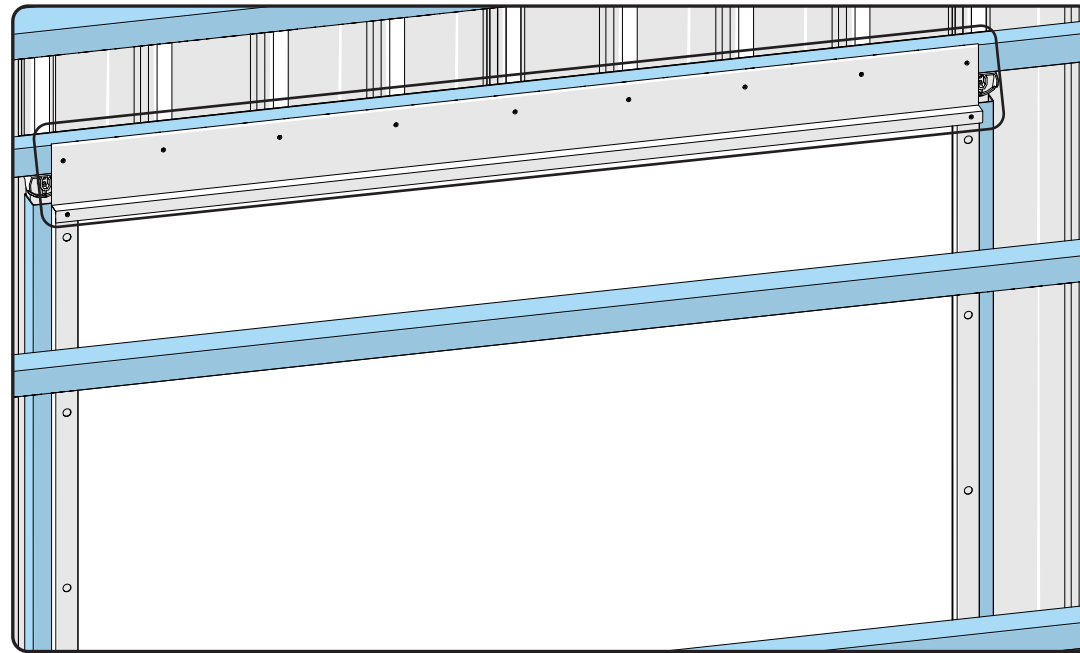
This Manual is designed to be only  
used with Kwiktech  
produced products.

No part of this Manual or the  
Kwiktech product design may be  
copied or reproduced without the  
consent of Kwiktech Pty Ltd.

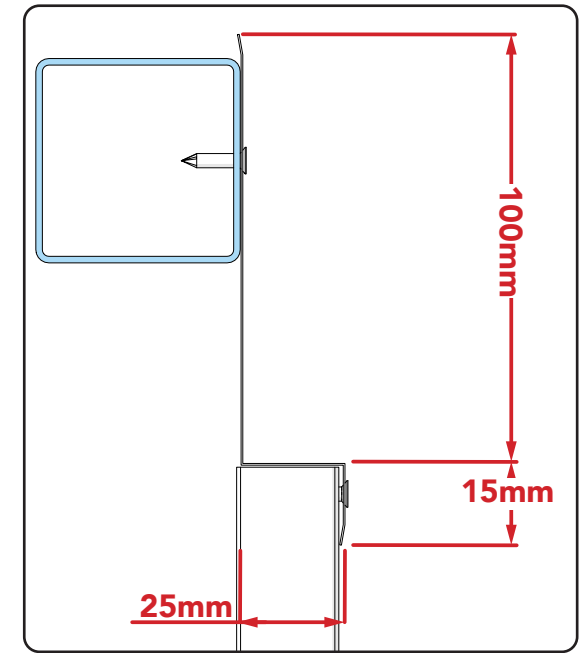
Construction using Kwiktech  
products may require planning  
approval. Always contact your Local  
Council for the most up-to-date  
rules and regulations for your area.

All dimensions are in millimeters  
(mm)

[www.kwiktech.com.au](http://www.kwiktech.com.au)  
© Kwiktech Pty Ltd 2022



9 x 10gx16mm Self-Drilling flat top screws used to fix **FL 10** to SHS frame. Screws in line with center of each peak. Ends of **FL 10** to be flush with outer face of door stoppers. Then fix to the door stoppers with 1 Self-Drilling flat top screw each end.



Flashing dimensions

Approximate time  
required: 0.25 Hours

# Cladding

'The Classic'  
3m x 3m x 2.45m Shed  
Region A  
User Manual

Read in conjunction with  
Kwiktech Build Guide and  
Kwiktech Tips & Tricks

Designed by

**kwiktech.**

Engineered by

**sbec.** SCHMIDT  
BENTLEY  
ENGINEERING  
CONSULTING

Rating: Region A

Rev 2.1

This Manual is the sole property of  
Kwiktech Pty Ltd.  
All rights are reserved.

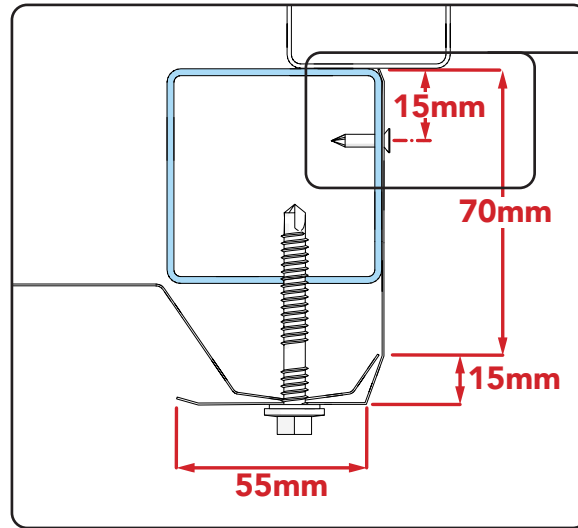
This Manual is designed to be only  
used with Kwiktech  
produced products.

No part of this Manual or the  
Kwiktech product design may be  
copied or reproduced without the  
consent of Kwiktech Pty Ltd.

Construction using Kwiktech  
products may require planning  
approval. Always contact your Local  
Council for the most up-to-date  
rules and regulations for your area.

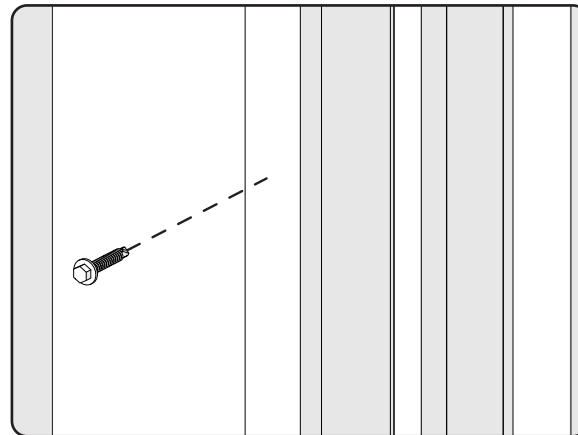
All dimensions are in millimeters  
(mm)

www.kwiktech.com.au  
© Kwiktech Pty Ltd 2022

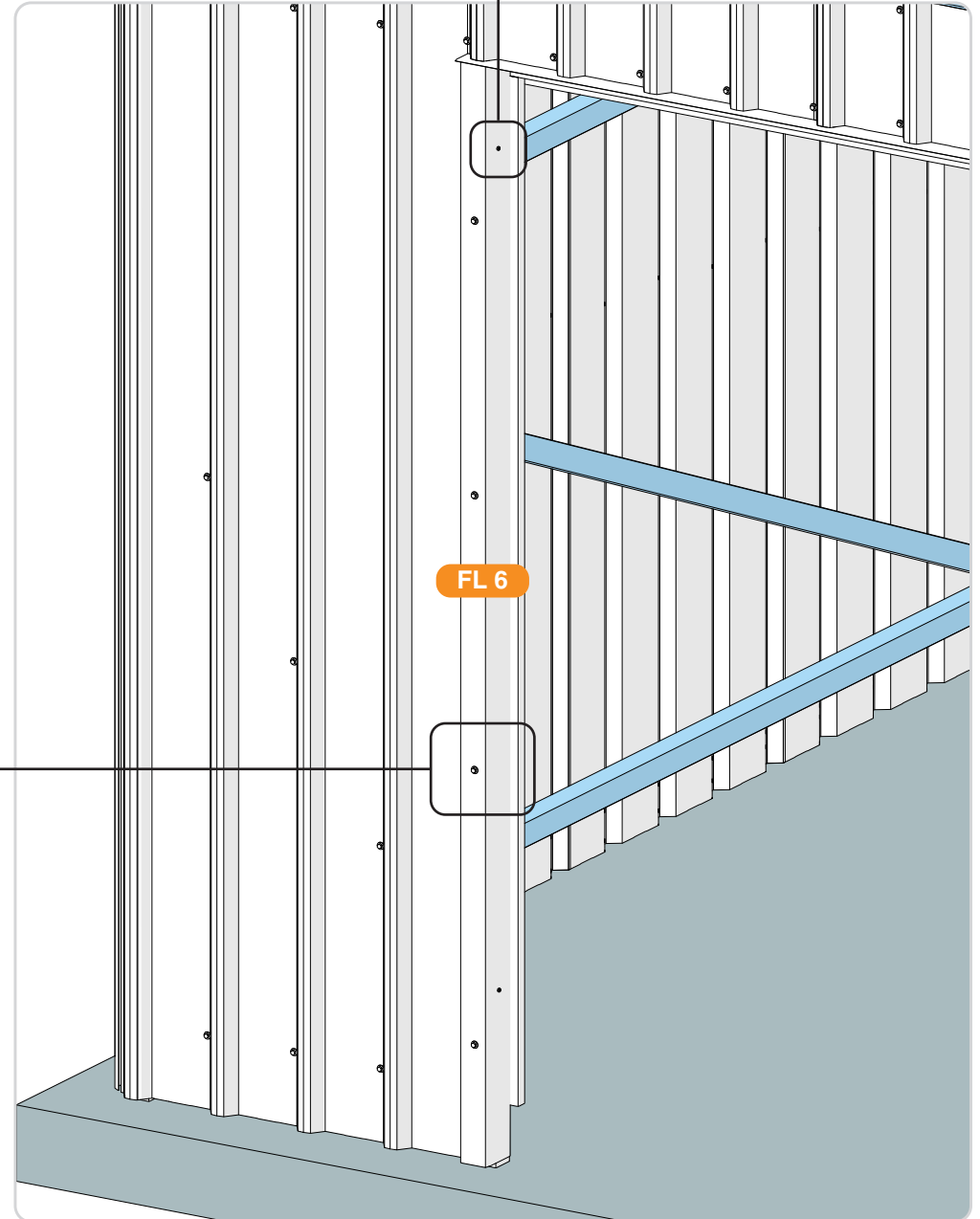


Flashing dimensions

Fix flat top screws into side of flashing  
first. 300mm from both ends to miss  
the hinges.



12gx53mm tek screws used to  
fix flashing & cladding to SHS frame.  
**Fix only after Door & Hinges have  
been fixed.** Flashing installed both  
sides of the door frame.



# Door Install

'The Classic'  
3m x 3m x 2.45m Shed  
Region A  
User Manual

Read in conjunction with  
Kwiktech Build Guide and  
Kwiktech Tips & Tricks

Designed by

**kwiktech.**

Engineered by

**sbec.** SCHMIDT  
BENTLEY  
ENGINEERING  
CONSULTING

Rating: Region A

Rev 2.1

This Manual is the sole property of  
Kwiktech Pty Ltd.  
All rights are reserved.

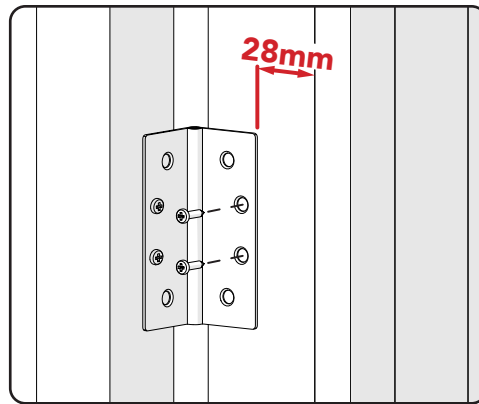
This Manual is designed to be only  
used with Kwiktech  
produced products.

No part of this Manual or the  
Kwiktech product design may be  
copied or reproduced without the  
consent of Kwiktech Pty Ltd.

Construction using Kwiktech  
products may require planning  
approval. Always contact your Local  
Council for the most up-to-date  
rules and regulations for your area.

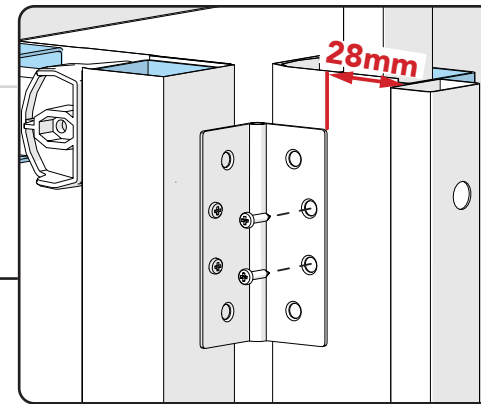
All dimensions are in millimeters  
(mm)

[www.kwiktech.com.au](http://www.kwiktech.com.au)  
© Kwiktech Pty Ltd 2022



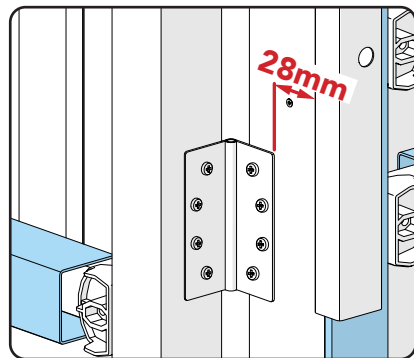
Fix to left door frame post via 2  
wafer head screws.

Screw through flashing  
**FL 6** when installing  
hinges

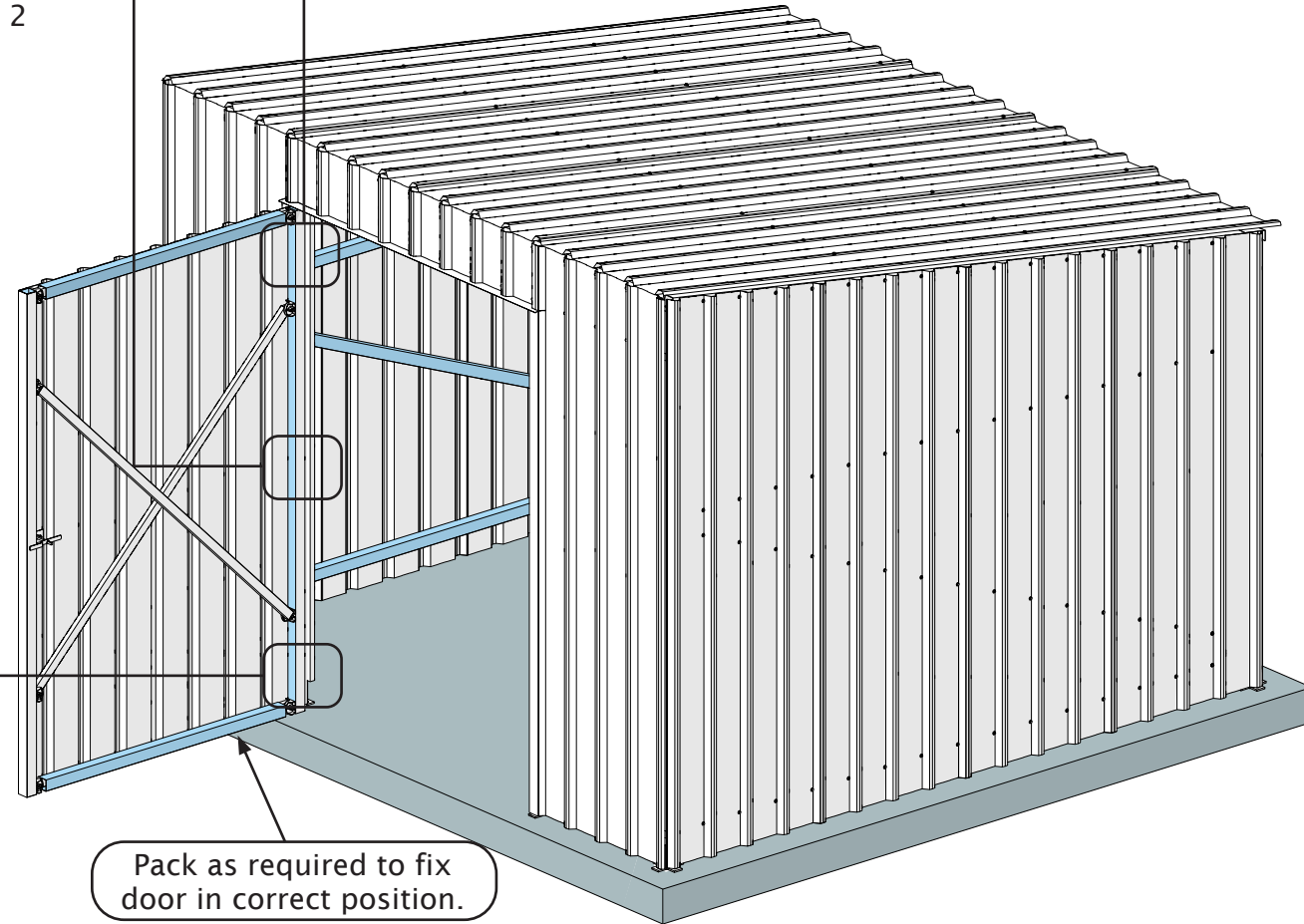


Mark and predrill 2 x  
3.5mm  $\varnothing$  holes for top  
hinge & fix to left door  
frame post via 2  
wafer head screws.

Predrill additional 2 holes  
once door functionality has  
been proven.



Check door for functionality  
(fully opens & closes). Fix all  
remaining holes with wafer  
head screws.



Pack as required to fix  
door in correct position.

Approximate time  
required: 0.5 Hours

# Flashings

'The Classic'  
3m x 3m x 2.45m Shed  
Region A  
User Manual

Read in conjunction with  
Kwiktech Build Guide and  
Kwiktech Tips & Tricks

Designed by

**kwiktech.**

Engineered by

**sbec.** SCHMIDT  
BENTLEY  
ENGINEERING  
CONSULTING

Rating: Region A

Rev 2.1

This Manual is the sole property of  
Kwiktech Pty Ltd.  
All rights are reserved.

This Manual is designed to be only  
used with Kwiktech  
produced products.

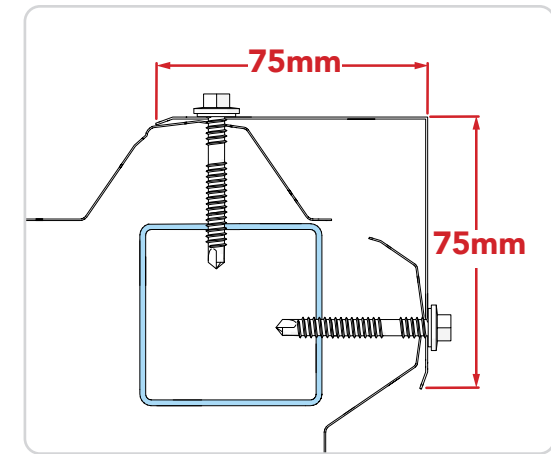
No part of this Manual or the  
Kwiktech product design may be  
copied or reproduced without the  
consent of Kwiktech Pty Ltd.

Construction using Kwiktech  
products may require planning  
approval. Always contact your Local  
Council for the most up-to-date  
rules and regulations for your area.

All dimensions are in millimeters  
(mm)

[www.kwiktech.com.au](http://www.kwiktech.com.au)  
© Kwiktech Pty Ltd 2022

## Step 1 Install front & back corner flashings



Flashing dimensions

**FL 3**  
Bottom fixing in line with cladding  
fixings. 14 x 12gx53mm screws @  
400mm vertical centers to secure the  
flashing to the cladding & SHS frame.

**FL 5**  
Bottom fixing in line with cladding  
fixings. 12 x 12gx53mm screws @  
400mm vertical centers to secure the  
flashing to the cladding & SHS frame.

Back left **FL 5** hidden due to view.  
Install in the same way.

# Flashings

'The Classic'  
3m x 3m x 2.45m Shed  
Region A

User Manual

Read in conjunction with  
Kwiktech Build Guide and  
Kwiktech Tips & Tricks

Designed by

**kwiktech.**

Engineered by

**sbec.** SCHMIDT  
BENTLEY  
ENGINEERING  
CONSULTING

Rating: Region A

Rev 2.1

This Manual is the sole property of  
Kwiktech Pty Ltd.  
All rights are reserved.

This Manual is designed to be only  
used with Kwiktech  
produced products.

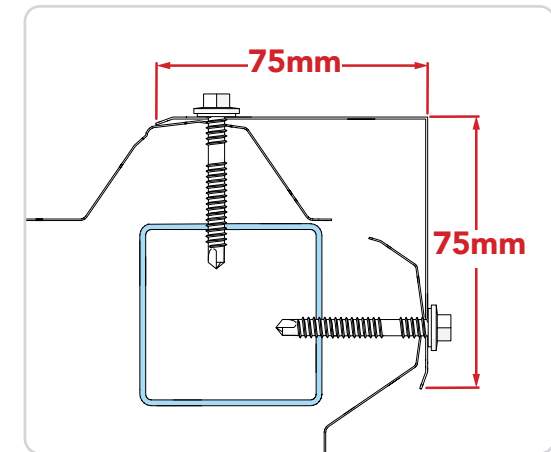
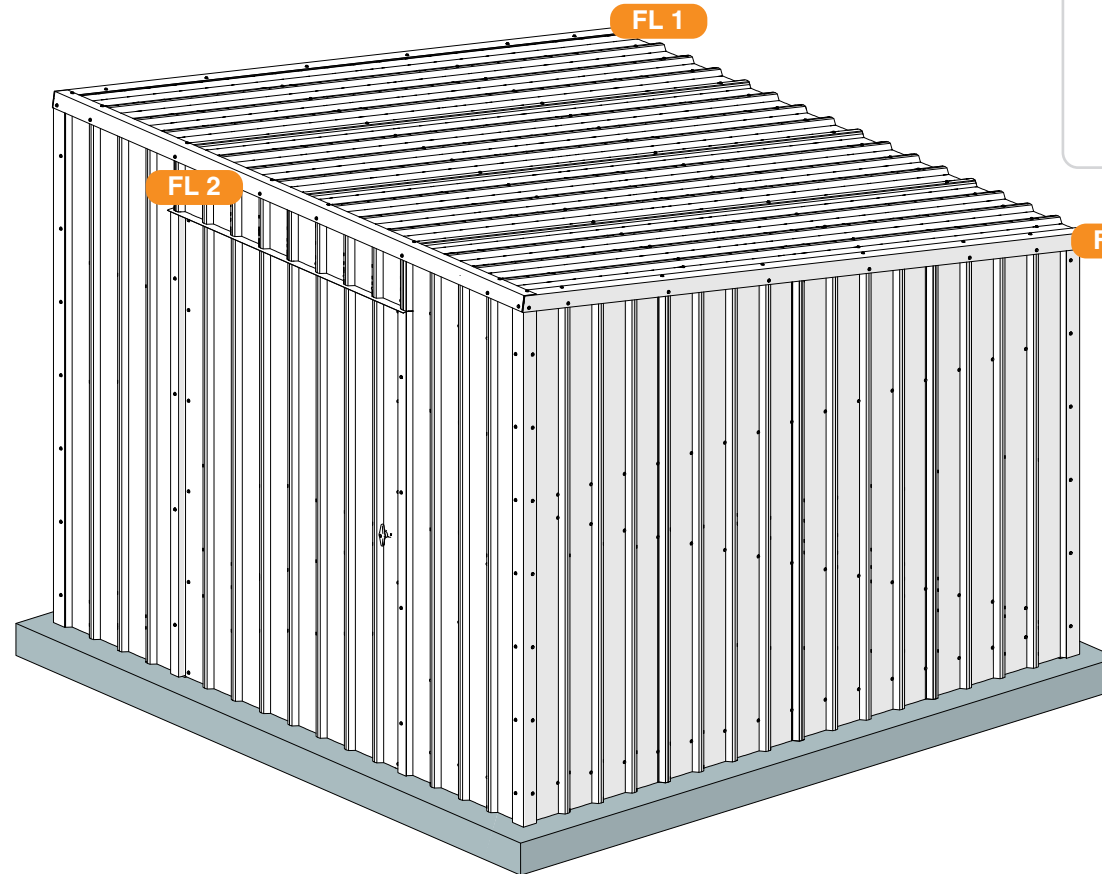
No part of this Manual or the  
Kwiktech product design may be  
copied or reproduced without the  
consent of Kwiktech Pty Ltd.

Construction using Kwiktech  
products may require planning  
approval. Always contact your Local  
Council for the most up-to-date  
rules and regulations for your area.

All dimensions are in millimeters  
(mm)

[www.kwiktech.com.au](http://www.kwiktech.com.au)  
© Kwiktech Pty Ltd 2022

**Step 2**  
Install top side flashings &  
then peak flashing



Flashing dimensions

**FL 1**  
12 x 12gx53mm screws every third  
peak to secure the flashing to the  
cladding & SHS frame. Secure on the  
sides & roof.

**FL 2**  
12 x 12gx53mm screws every third  
peak to secure the flashing to the  
cladding & RHS frame. Secure on the  
front & roof.



# Potential Sheds

'The Classic'

3m x 3m x 2.45m Shed

Region A

User Manual

Read in conjunction with  
Kwiktech Build Guide and  
Kwiktech Tips & Tricks

Designed by

**kwiktech.**

Engineered by

**sbec.** SCHMIDT  
BENTLEY  
ENGINEERING  
CONSULTING

Rating: Region A

Rev 2.1

This Manual is the sole property of  
Kwiktech Pty Ltd.  
All rights are reserved.

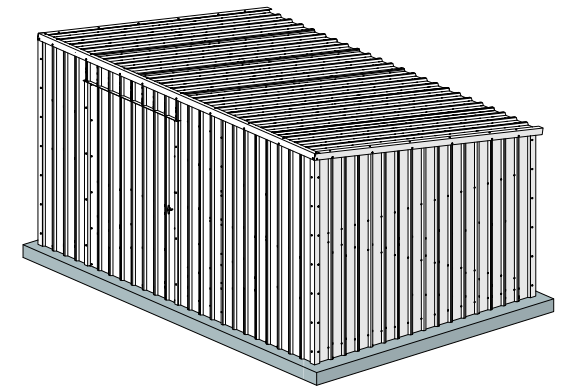
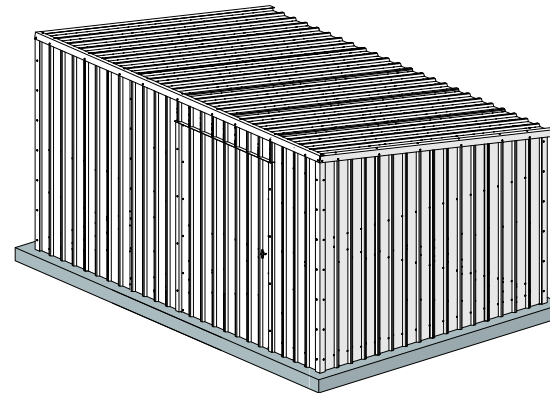
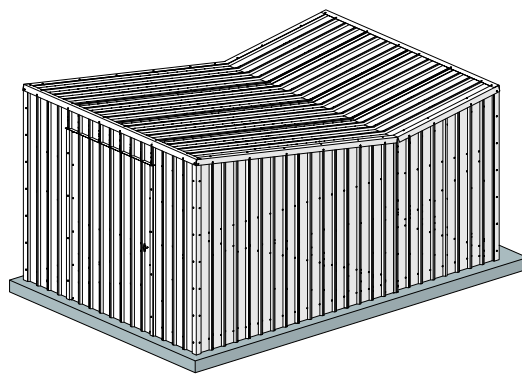
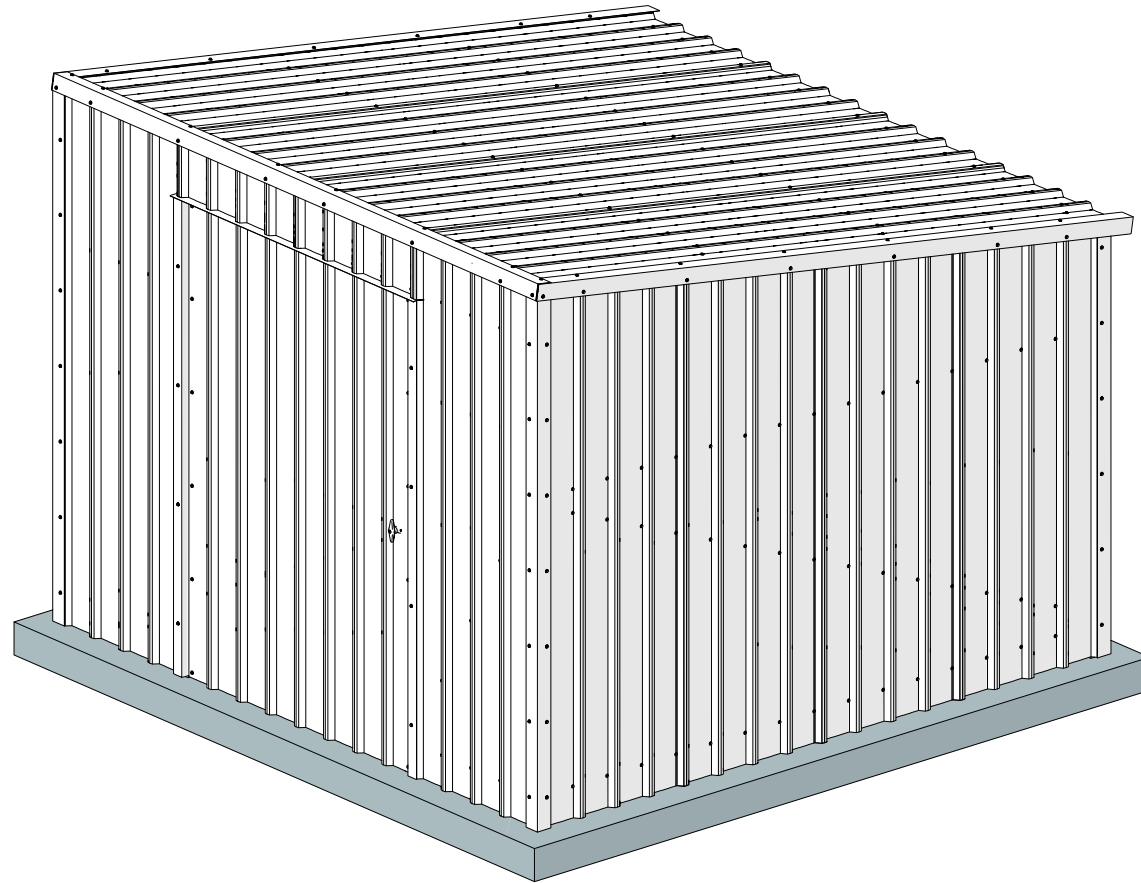
This Manual is designed to be only  
used with Kwiktech  
produced products.

No part of this Manual or the  
Kwiktech product design may be  
copied or reproduced without the  
consent of Kwiktech Pty Ltd.

Construction using Kwiktech  
products may require planning  
approval. Always contact your Local  
Council for the most up-to-date  
rules and regulations for your area.

All dimensions are in millimeters  
(mm)

[www.kwiktech.com.au](http://www.kwiktech.com.au)  
© Kwiktech Pty Ltd 2022



*Shed extension images for example only.  
Shed extension options require engineering to determine rating.*

# Shed Frame Blueprint Front

'The Classic'

3m x 3m x 2.45m Shed

Region A

User Manual

Read in conjunction with  
Kwiktech Build Guide and  
Kwiktech Tips & Tricks

Designed by

**kwiktech.**

Engineered by

**sbec.** SCHMIDT  
BENTLEY  
ENGINEERING  
CONSULTING

Rating: Region A

Rev 2.1

This Manual is the sole property of  
Kwiktech Pty Ltd.  
All rights are reserved.

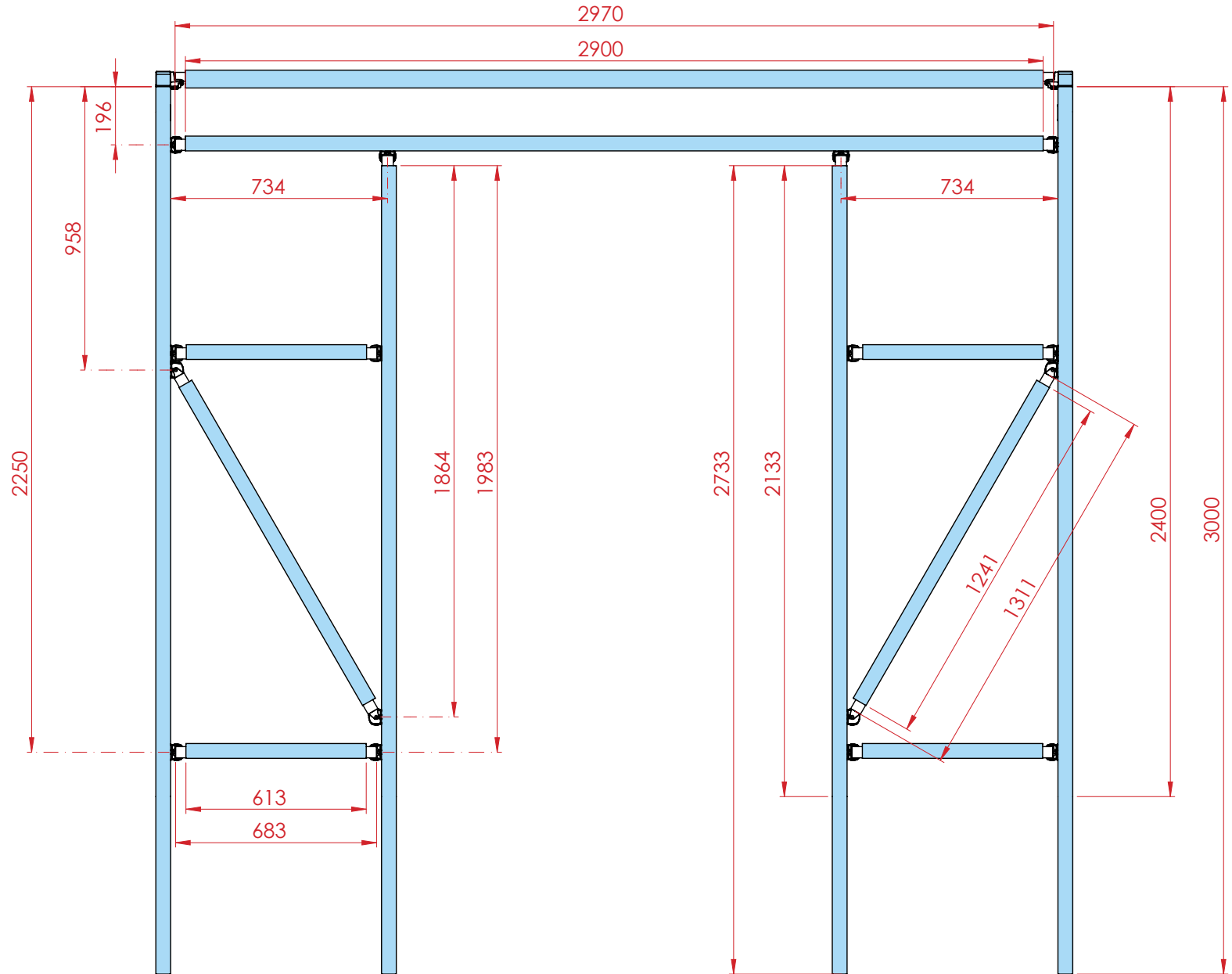
This Manual is designed to be only  
used with Kwiktech  
produced products.

No part of this Manual or the  
Kwiktech product design may be  
copied or reproduced without the  
consent of Kwiktech Pty Ltd.

Construction using Kwiktech  
products may require planning  
approval. Always contact your Local  
Council for the most up-to-date  
rules and regulations for your area.

All dimensions are in millimeters  
(mm)

[www.kwiktech.com.au](http://www.kwiktech.com.au)  
© Kwiktech Pty Ltd 2022



# Shed Frame Blueprint Door

'The Classic'

3m x 3m x 2.45m Shed

Region A

User Manual

Read in conjunction with  
Kwiktech Build Guide and  
Kwiktech Tips & Tricks

Designed by

**kwiktech.**

Engineered by

**sbec.** SCHMIDT  
BENTLEY  
ENGINEERING  
CONSULTING

Rating: Region A

Rev 2.1

This Manual is the sole property of  
Kwiktech Pty Ltd.  
All rights are reserved.

This Manual is designed to be only  
used with Kwiktech  
produced products.

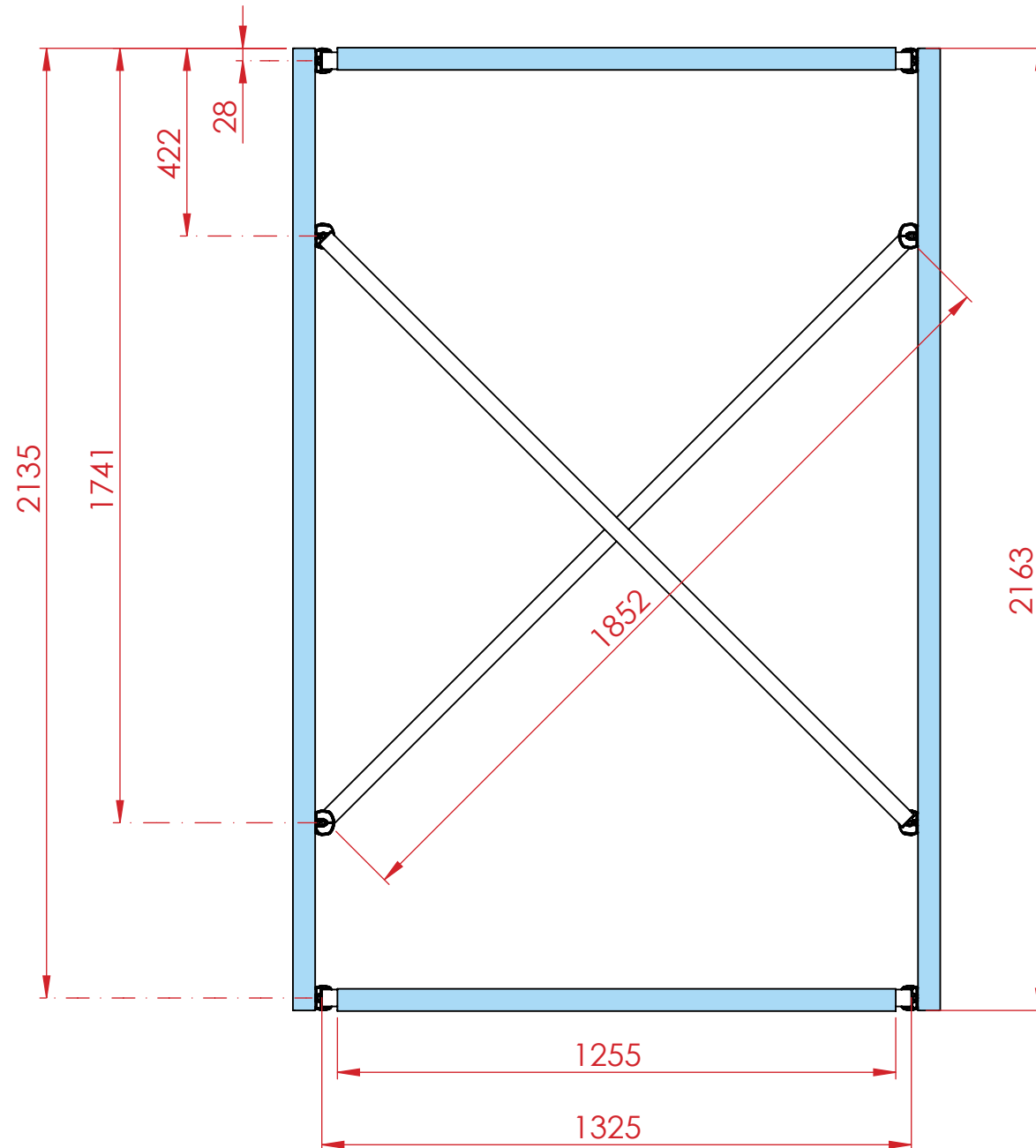
No part of this Manual or the  
Kwiktech product design may be  
copied or reproduced without the  
consent of Kwiktech Pty Ltd.

Construction using Kwiktech  
products may require planning  
approval. Always contact your Local  
Council for the most up-to-date  
rules and regulations for your area.

All dimensions are in millimeters  
(mm)

[www.kwiktech.com.au](http://www.kwiktech.com.au)

© Kwiktech Pty Ltd 2022



# Shed Frame Blueprint Sides

'The Classic'

3m x 3m x 2.45m Shed

Region A

User Manual

Read in conjunction with  
Kwiktech Build Guide and  
Kwiktech Tips & Tricks

Designed by

**kwiktech.**

Engineered by

**sbec.** SCHMIDT  
BENTLEY  
ENGINEERING  
CONSULTING

Rating: Region A

Rev 2.1

This Manual is the sole property of  
Kwiktech Pty Ltd.  
All rights are reserved.

This Manual is designed to be only  
used with Kwiktech  
produced products.

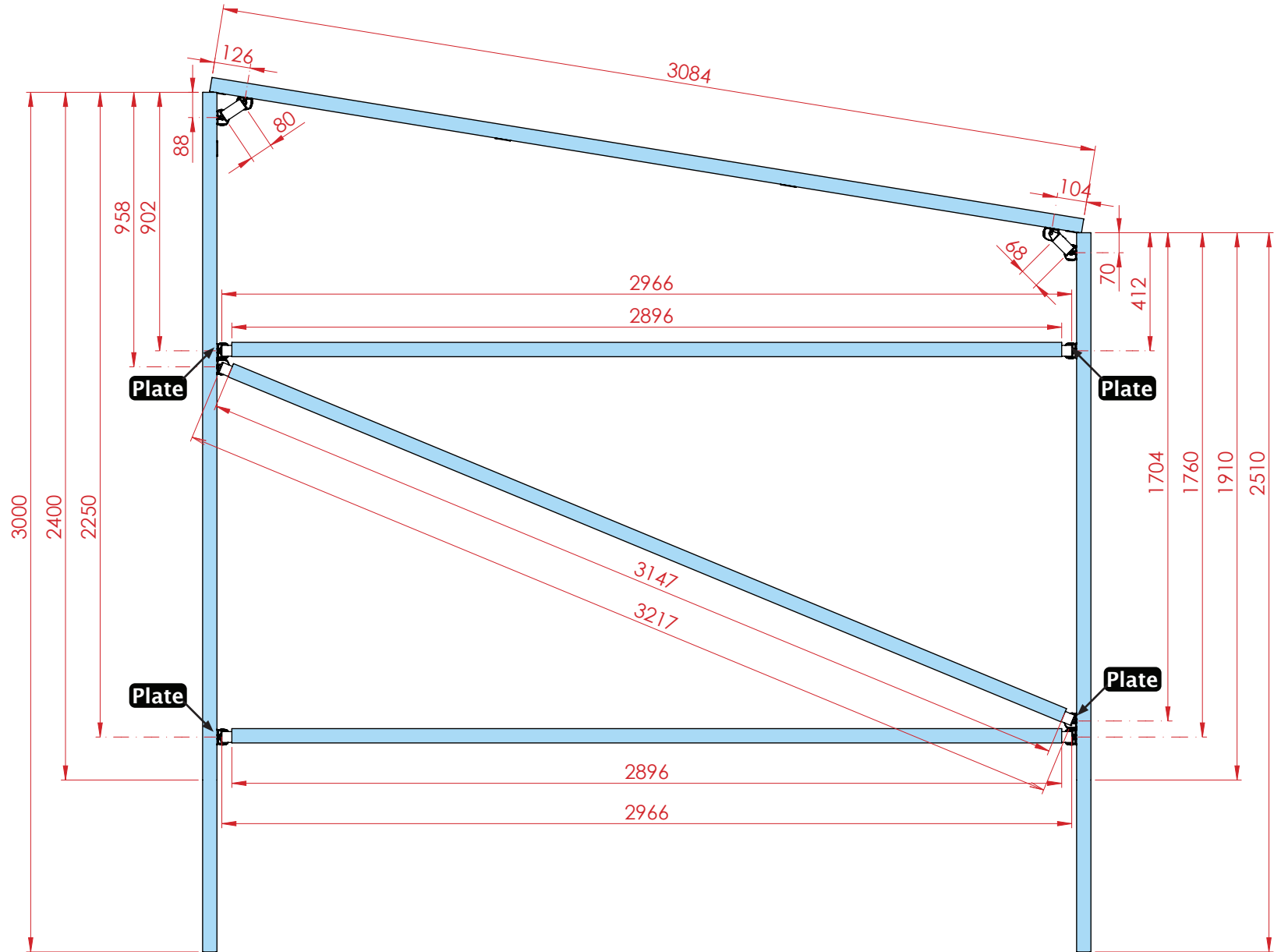
No part of this Manual or the  
Kwiktech product design may be  
copied or reproduced without the  
consent of Kwiktech Pty Ltd.

Construction using Kwiktech  
products may require planning  
approval. Always contact your Local  
Council for the most up-to-date  
rules and regulations for your area.

All dimensions are in millimeters  
(mm)

[www.kwiktech.com.au](http://www.kwiktech.com.au)

© Kwiktech Pty Ltd 2022



# Shed Frame Blueprint Back

'The Classic'  
3m x 3m x 2.45m Shed  
Region A

User Manual

Read in conjunction with  
Kwiktech Build Guide and  
Kwiktech Tips & Tricks

Designed by

**kwiktech.**

Engineered by

**sbec.** SCHMIDT  
BENTLEY  
ENGINEERING  
CONSULTING

Rating: Region A

Rev 2.1

This Manual is the sole property of  
Kwiktech Pty Ltd.  
All rights are reserved.

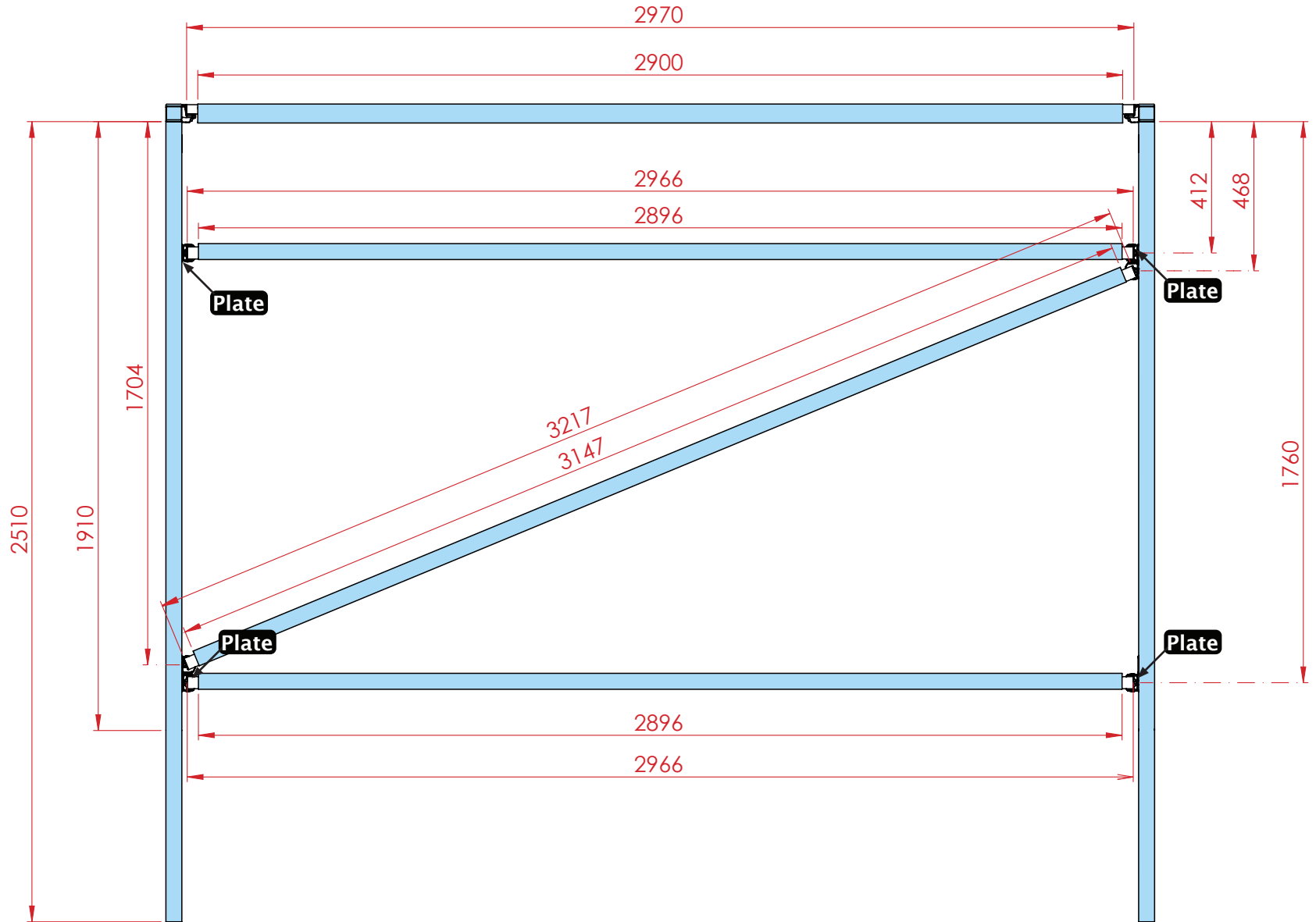
This Manual is designed to be only  
used with Kwiktech  
produced products.

No part of this Manual or the  
Kwiktech product design may be  
copied or reproduced without the  
consent of Kwiktech Pty Ltd.

Construction using Kwiktech  
products may require planning  
approval. Always contact your Local  
Council for the most up-to-date  
rules and regulations for your area.

All dimensions are in millimeters  
(mm)

[www.kwiktech.com.au](http://www.kwiktech.com.au)  
© Kwiktech Pty Ltd 2022



# Shed Frame Blueprint Roof

'The Classic'

3m x 3m x 2.45m Shed

Region A

User Manual

Read in conjunction with  
Kwiktech Build Guide and  
Kwiktech Tips & Tricks

Designed by

**kwiktech.**

Engineered by

**sbec.** SCHMIDT  
BENTLEY  
ENGINEERING  
CONSULTING

Rating: Region A

Rev 2.1

This Manual is the sole property of  
Kwiktech Pty Ltd.  
All rights are reserved.

This Manual is designed to be only  
used with Kwiktech  
produced products.

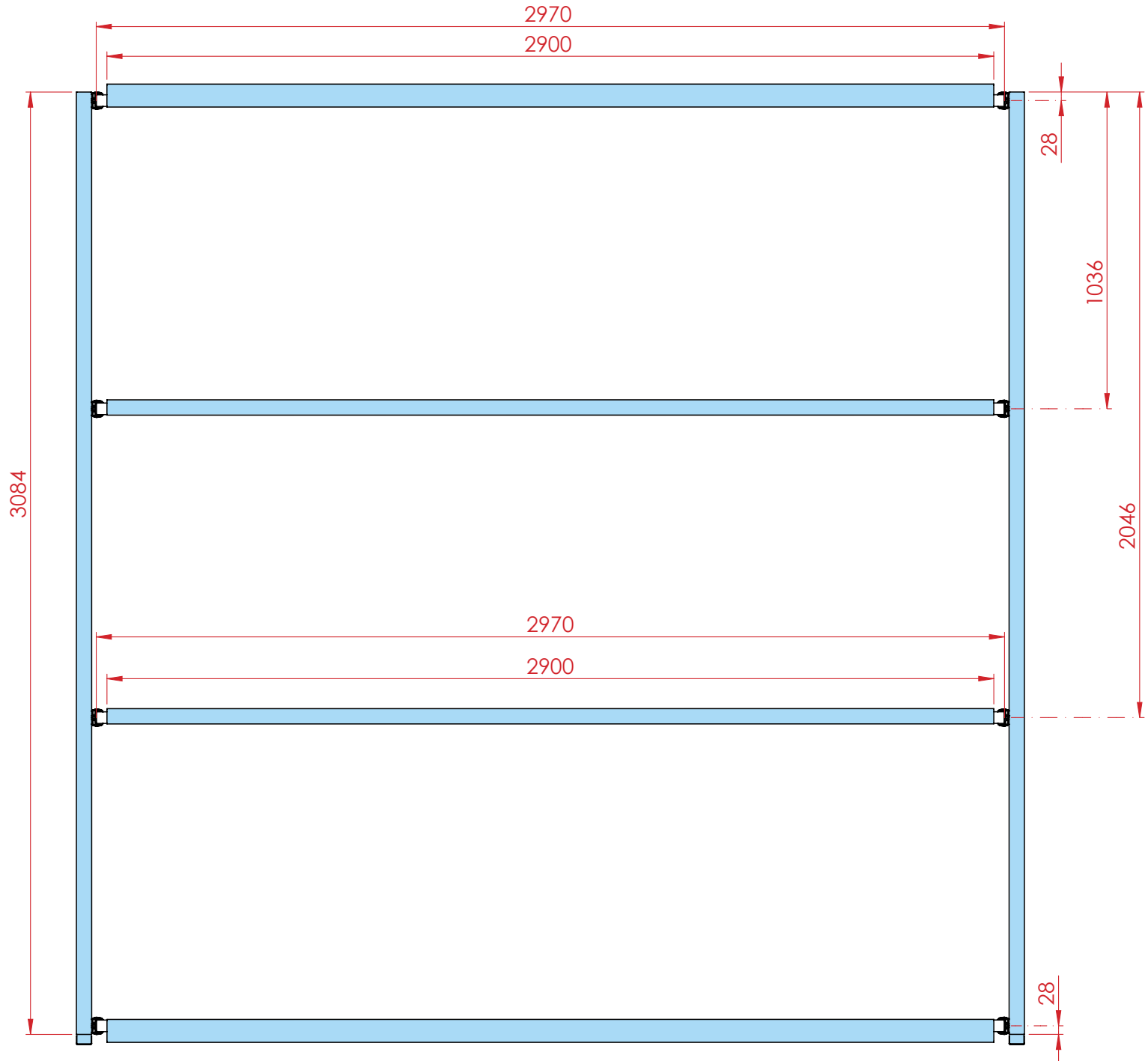
No part of this Manual or the  
Kwiktech product design may be  
copied or reproduced without the  
consent of Kwiktech Pty Ltd.

Construction using Kwiktech  
products may require planning  
approval. Always contact your Local  
Council for the most up-to-date  
rules and regulations for your area.

All dimensions are in millimeters  
(mm)

[www.kwiktech.com.au](http://www.kwiktech.com.au)

© Kwiktech Pty Ltd 2022



# Engineering Calculations

'The Classic'

3m x 3m x 2.45m Shed  
Region A

User Manual

Read in conjunction with  
Kwiktech Build Guide and  
Kwiktech Tips & Tricks

Designed by



Engineered by



Rating: Region A

Rev 2.1

This Manual is the sole property of  
Kwiktech Pty Ltd.  
All rights are reserved.

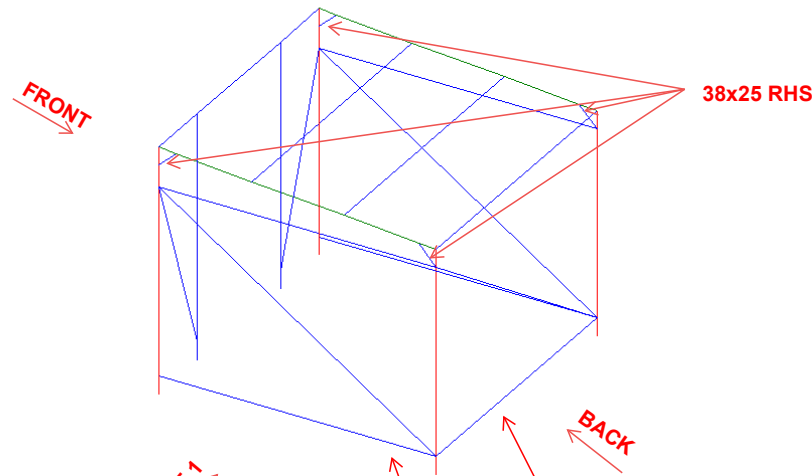
This Manual is designed to be only  
used with Kwiktech  
produced products.

No part of this Manual or the  
Kwiktech product design may be  
copied or reproduced without the  
consent of Kwiktech Pty Ltd.

Construction using Kwiktech  
products may require planning  
approval. Always contact your Local  
Council for the most up-to-date  
rules and regulations for your area.

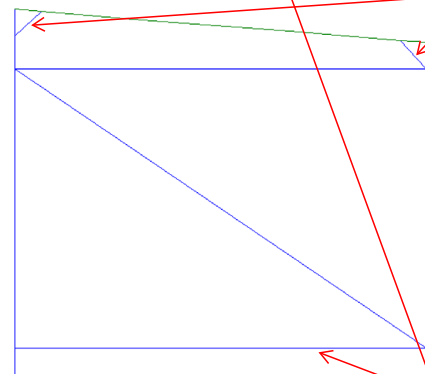
All dimensions are in millimeters  
(mm)

ALL MEMBERS 50x1.6 SHS UNLESS NOTED OTHERWISE



SIDE 1

3D MODEL VIEW



SIDE 1 = SIDE 2

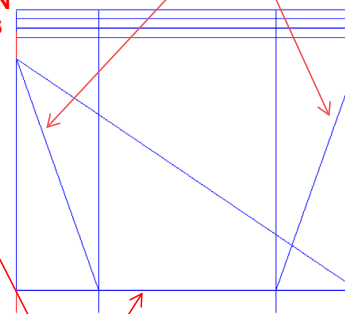
BACK

TENSION STRAPS

TENSION STRAPS

BACK

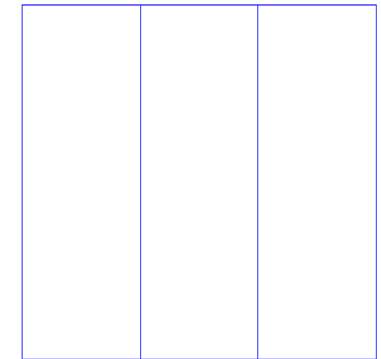
FRONT MEMBERS



BACK

CONNECTION TYPE	ID #	COMPRESSION NEWTONS	TENSION NEWTONS	TENSION WITH STRAP NEWTONS*
Universal Connector + Rail Insert - 0°	1	3000	2000	5600
Universal Connector + Displacement Plate + Rail Insert - 0°	2	11500	2000	5600 - Ref ID #1
Universal Connector Rotated 90° + Rail Insert - 0°	3	8500	2000 - Ref ID #1	Not Applicable
Universal Connector + Rail Insert - 22.5°	4	12000	2000	5600
Universal Connector + Rail Insert - 45°	5	3800	2500	6000
Universal Connector + 60° Rail Insert - 60°	6	3800	3000	6000
Post Connector + Rail Insert (4 Screws) - 0°	7	8500 - Ref ID #3	3500	Not Applicable
Post Connector + Rail Insert (4 Screws) - 22.5°	8	8000	3500	Not Applicable
Post Connector + Rail Insert (4 Screws) - 45°	9	3800	3500	Not Applicable
Star Picket Stopper	10	3500	Not Applicable	Not Applicable

REGION A  
TC2.0  
Cpi = +0.0, -0.3  
LIVE LOAD: N/A  
IMPORTANCE LEVEL 1



ROOF



FOR COMMENT	DATE	REV
	09/11/20	A
ISSUE	DATE	REV

CLIENT:  
KWIKTECH

PROJECT:  
3.1m x 3.1m x 2.5m HIGH  
REGION A - ENCLOSED

DRAWING TITLE:  
SKETCH

JOB #: SBEC 2011-13 SHEET: S01 REV: A