

'Classic Inspire'

3m x 4.5m x 2.45m Shed Extension - Back

User Manual

Read in conjunction with
Kwiktech Build Guide and
Kwiktech Tips & Tricks

Designed by



Engineered by



Rating: Region A

Rev 1.7

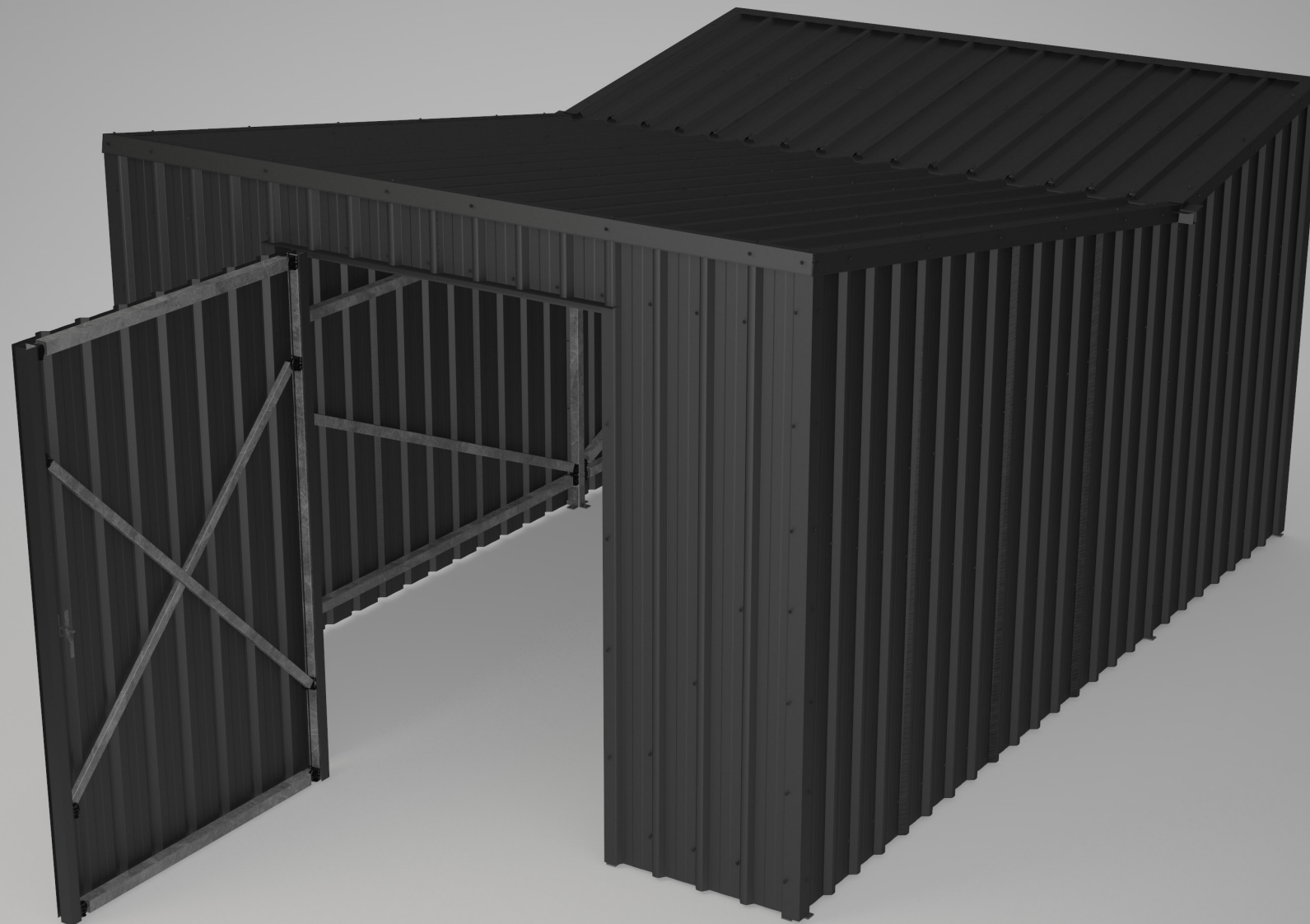
This Manual is the sole property of
Kwiktech Pty Ltd.
All rights are reserved.

This Manual is designed to be only
used with Kwiktech
produced products.

No part of this Manual or the
Kwiktech product design may be
copied or reproduced without the
consent of Kwiktech Pty Ltd.

Construction using Kwiktech
products may require planning
approval. Always contact your Local
Council for the most up-to-date
rules and regulations for your area.

All dimensions are in millimeters
(mm)



'Classic Inspire'

3m x 4.5m x 2.45m Shed Extension - Back

User Manual

Read in conjunction with
Kwiktech Build Guide and
Kwiktech Tips & Tricks

Designed by

kwiktech.

Engineered by

sbec. SCHMIDT
BENTLEY
ENGINEERING
CONSULTING

Rating: Region A

Rev 1.7

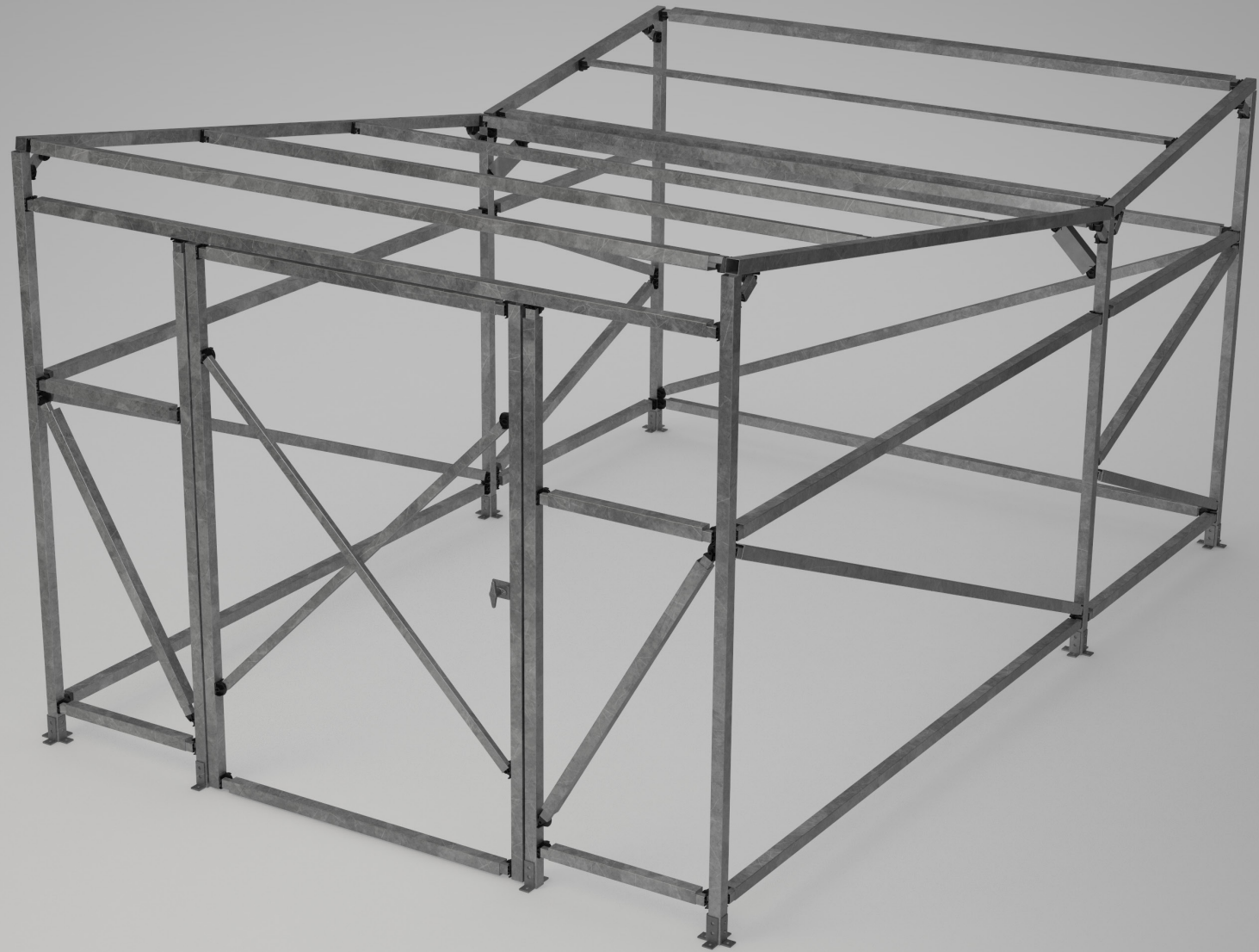
This Manual is the sole property of
Kwiktech Pty Ltd.
All rights are reserved.

This Manual is designed to be only
used with Kwiktech
produced products.

No part of this Manual or the
Kwiktech product design may be
copied or reproduced without the
consent of Kwiktech Pty Ltd.

Construction using Kwiktech
products may require planning
approval. Always contact your Local
Council for the most up-to-date
rules and regulations for your area.

All dimensions are in millimeters
(mm)



General Arrangement

'Classic Inspire'
3m x 4.5m x 2.45m Shed
Extension - Back

User Manual

Read in conjunction with
Kwiktech Build Guide and
Kwiktech Tips & Tricks

Designed by



Engineered by



Rating: Region A

Rev 1.7

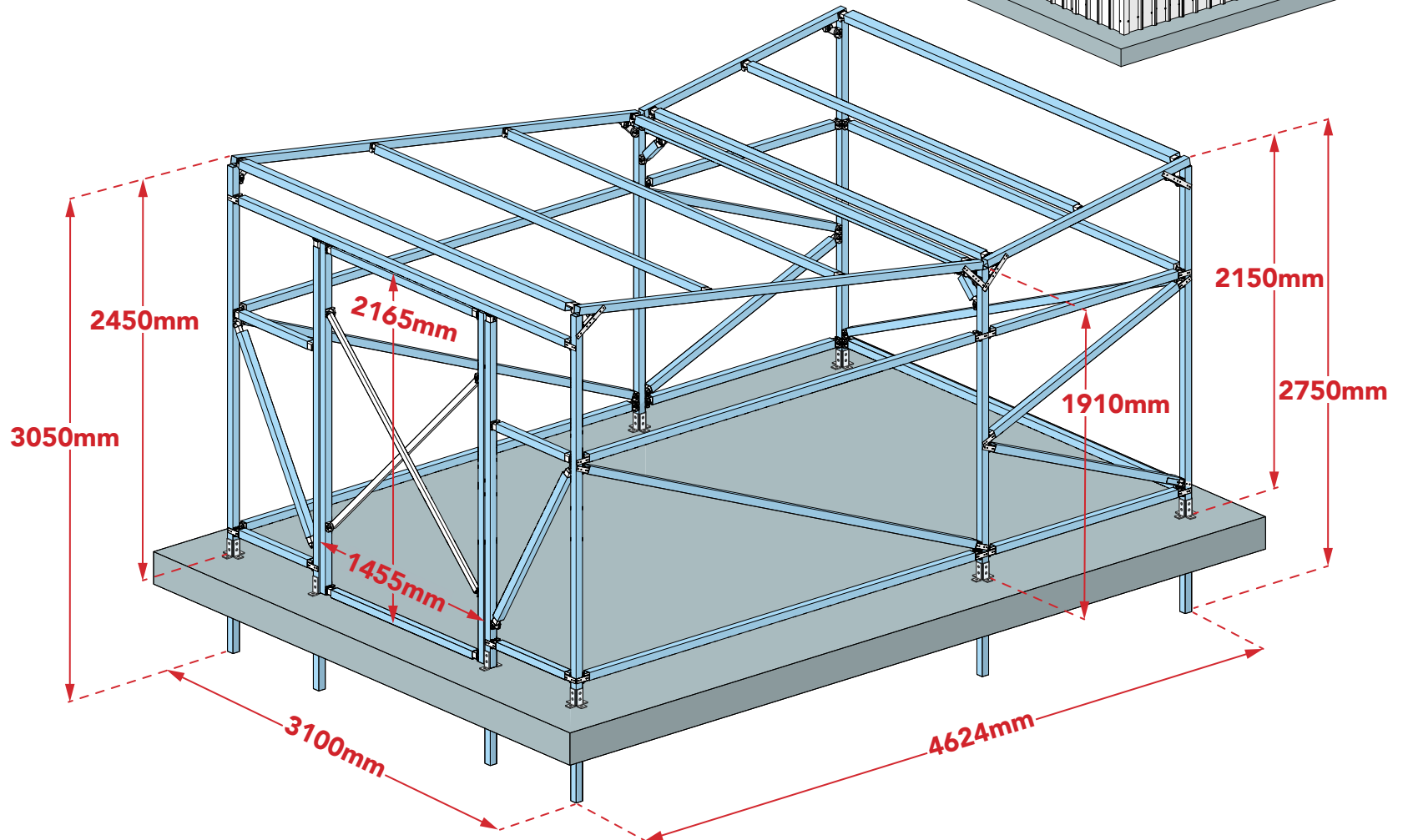
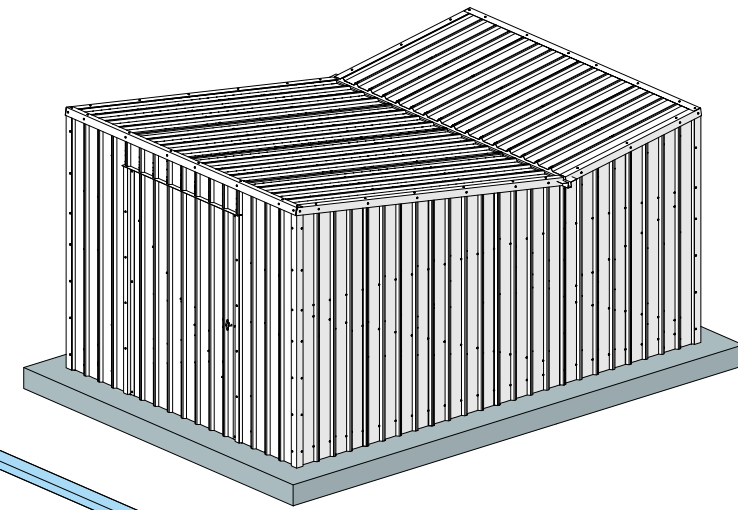
This Manual is the sole property of
Kwiktech Pty Ltd.
All rights are reserved.

This Manual is designed to be only
used with Kwiktech
produced products.

No part of this Manual or the
Kwiktech product design may be
copied or reproduced without the
consent of Kwiktech Pty Ltd.

Construction using Kwiktech
products may require planning
approval. Always contact your Local
Council for the most up-to-date
rules and regulations for your area.

All dimensions are in millimeters
(mm)



Materials List

'Classic Inspire'
3m x 4.5m x 2.45m Shed
Extension - Back

User Manual

Read in conjunction with
Kwiktech Build Guide and
Kwiktech Tips & Tricks

Designed by



Engineered by



Rating: Region A

Rev 1.7

This Manual is the sole property of
Kwiktech Pty Ltd.
All rights are reserved.

This Manual is designed to be only
used with Kwiktech
produced products.

No part of this Manual or the
Kwiktech product design may be
copied or reproduced without the
consent of Kwiktech Pty Ltd.

Construction using Kwiktech
products may require planning
approval. Always contact your Local
Council for the most up-to-date
rules and regulations for your area.

All dimensions are in millimeters
(mm)

NON KWIKTECH ITEMS

ITEM	ITEM ID #	ASSEMBLY ID #	LENGTH	COLOUR	QUANTITY	RESELLER PRICE
RHS 75x50x2.0mm	1	A	2900	Galv	2	
RHS 75x50x2.0mm	2	K	179	Galv	2	
SHS 50x50x2mm	3 4		2510*	Galv	2	
SHS 50x50x1.5mm or 1.6mm	5	B	3147	Galv	3	
SHS 50x50x1.5mm or 1.6mm	6 7		3068	Galv	2	
SHS 50x50x1.5mm or 1.6mm	8 9		3000*	Galv	2	
SHS 50x50x1.5mm or 1.6mm (Displacement plates both ends)	10	C	2900	Galv	7	
SHS 50x50x1.5mm or 1.6mm	11	D	2896	Galv	6	
SHS 50x50x1.5mm or 1.6mm	12 13		2750*	Galv	2	
SHS 50x50x1.5mm or 1.6mm	14 15	E	2733*	Galv	2	
SHS 50x50x1.5mm or 1.6mm	16		2163	Galv	2	
SHS 50x50x1.5mm or 1.6mm	17 18		1537	Galv	2	
SHS 50x50x1.5mm or 1.6mm (Displacement plates both ends)	19	F	1490	Galv	4	
SHS 50x50x1.5mm or 1.6mm	20	G	1370	Galv	4	
SHS 50x50x1.5mm or 1.6mm	21	H	1255	Galv	2	
SHS 50x50x1.5mm or 1.6mm	22	I	1241	Galv	2	
SHS 50x50x1.5mm or 1.6mm	23	J	613	Galv	4	
RHS 38x25x1.2mm or 1.6mm	24	B	3217	Galv	3	
RHS 38x25x1.2mm or 1.6mm	25	A C	2970	Galv	9	
RHS 38x25x1.2mm or 1.6mm (Displacement plates both ends)	26	D	2966	Galv	6	
RHS 38x25x1.2mm or 1.6mm	27		2023	Galv	2	
RHS 38x25x1.2mm or 1.6mm	28		1852	Galv	2	
RHS 38x25x1.2mm or 1.6mm	29	F	1560	Galv	4	
RHS 38x25x1.2mm or 1.6mm (Displacement plates both ends)	30	G	1440	Galv	4	
RHS 38x25x1.2mm or 1.6mm	31	H	1325	Galv	2	
RHS 38x25x1.2mm or 1.6mm	32	I	1311	Galv	2	
RHS 38x25x1.2mm or 1.6mm	33	E	1000	Galv	2	
RHS 38x25x1.2mm or 1.6mm	34	J	683	Galv	4	
RHS 38x25x1.2mm or 1.6mm (Used for optional temporary corner braces)	35		442	Galv	4	
RHS 38x25x1.2mm or 1.6mm	36	K	219	Galv	2	
RHS 38x25x1.2mm or 1.6mm	37		80	Galv	4	
RHS 38x25x1.2mm or 1.6mm	38		68	Galv	5	

*NOTE: If fixing the shed on existing concrete, reduce these member lengths by 600mm.

Materials List

'Classic Inspire'
3m x 4.5m x 2.45m Shed
Extension - Back

User Manual

Read in conjunction with
Kwiktech Build Guide and
Kwiktech Tips & Tricks

Designed by



Engineered by



Rating: Region A

Rev 1.7

This Manual is the sole property of
Kwiktech Pty Ltd.
All rights are reserved.

This Manual is designed to be only
used with Kwiktech
produced products.

No part of this Manual or the
Kwiktech product design may be
copied or reproduced without the
consent of Kwiktech Pty Ltd.

Construction using Kwiktech
products may require planning
approval. Always contact your Local
Council for the most up-to-date
rules and regulations for your area.

All dimensions are in millimeters
(mm)

KWIKTECH KITS

ITEM	QUANTITY	RESELLER PRICE
Kwiktech DIY Rated Shed Kit (NOTE: Some items will not be used)	2	

NON KWIKTECH ITEMS

ITEM	ID #	LENGTH	COLOUR	QUANTITY	RESELLER PRICE
TrimDek Cladding 762x29x0.42mm or 0.48mm - Front Roof	RF 1	3090	Customers Choice	4	
TrimDek Cladding 762x29x42mm or 0.48mm - Back Roof	RF 2	1550		4	
TrimDek Cladding 762x29x42mm or 0.48mm - Front Outers	CL 1	2450		2	
TrimDek Cladding 762x29x42mm or 0.48mm - Front Side 1	CL 2	2450		2	
TrimDek Cladding 762x29x42mm or 0.48mm - Front Side 2	CL 3	2325		2	
TrimDek Cladding 762x29x42mm or 0.48mm - Front Side 3	CL 4	2200		2	
TrimDek Cladding 762x29x42mm or 0.48mm - Front Side 4	CL 5	2075		2	
TrimDek Cladding 762x29x42mm or 0.48mm - Back Side 1	CL 6	2075		2	
TrimDek Cladding 762x29x42mm or 0.48mm - Back Side 2	CL 7	2200		2	
TrimDek Cladding 762x29x42mm or 0.48mm - Back	CL 8	2200		4	
TrimDek Cladding 762x29x42mm or 0.48mm - Door	CL 9	2165	2		
TrimDek Cladding 762x29x42mm or 0.48mm - Front above Door	CL 10	280	2		
Front Peak Flashing	FL 1	3170	Galv	1	
Back Peak Flashing	FL 2	3170		1	
Front Roof Sides Flashing	FL 3	3135		2	
Front Corners Flashing	FL 4	2450		2	
Door Frame Housing Flashing	FL 5	2172		2	
Door Side Flashing	FL 6	2165		2	
Back Corners Flashing	FL 7	1950		2	
Back Roof Sides Flashing	FL 8	1590		2	
Above Door Flashing	FL 9	1590		1	
Internal Door Frame Flashing	FL 10	1518		1	
Internal Bracing Outer Flashing	FL 11	330		2	
Internal Bracing Inner Flashing	FL 12	250		2	
Door Lock Flashing	FL 13.1 FL 13.2	40	1		

Refer to
page 36 for
details

Materials List

'Classic Inspire'
3m x 4.5m x 2.45m Shed
Extension - Back

User Manual

Read in conjunction with
Kwiktech Build Guide and
Kwiktech Tips & Tricks

Designed by

kwiktech.

Engineered by

sbec. SCHMIDT
BENTLEY
ENGINEERING
CONSULTING

Rating: Region A

Rev 1.7

This Manual is the sole property of
Kwiktech Pty Ltd.
All rights are reserved.

This Manual is designed to be only
used with Kwiktech
produced products.

No part of this Manual or the
Kwiktech product design may be
copied or reproduced without the
consent of Kwiktech Pty Ltd.

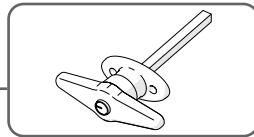
Construction using Kwiktech
products may require planning
approval. Always contact your Local
Council for the most up-to-date
rules and regulations for your area.

All dimensions are in millimeters
(mm)

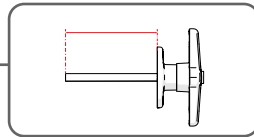
www.kwiktech.com.au
© Kwiktech Pty Ltd 2022

NON KWIKTECH ITEMS

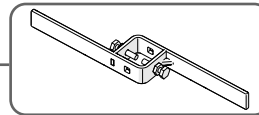
ITEM	ID #	LENGTH	COLOUR	QUANTITY	RESELLER PRICE
Shed Lowpoint Gutter	G 1	3310	Galv	1	
100x100x2.5 Zinc Plated Butt Hinge		100	Galv	3	
Tee Handle Kit & Inside Latch		-	-	1	
Tek Screw 16mmx10g Coloured		16	Customers Choice	600	
Tek Screw 53mmx12g Coloured - Neo		53		300	
M12x75 4.6 Hex head Galv Bolt & Nut	Only required if fixing to existing concrete.	75	Galv	14	
P1326H Ninety Degree Fitting HG		105	Galv	28	
Dynabolt DP12100 M10 12x100 Galv		100	Galv	28	
38x25 Black Plastic Post Cap		38	Black	2	
				Sub-Total	
				GST	
				Shipping	
				Total Cost	



Tee Handle



Minimum Tee Handle
Length 75mm



Recommend using a heavy
duty inner lock, such as the
one pictured above.

Materials List

'Classic Inspire'
3m x 4.5m x 2.45m Shed
Extension - Back

User Manual

Read in conjunction with
Kwiktech Build Guide and
Kwiktech Tips & Tricks

Designed by



Engineered by



Rating: Region A

Rev 1.7

This Manual is the sole property of
Kwiktech Pty Ltd.
All rights are reserved.

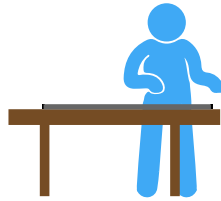
This Manual is designed to be only
used with Kwiktech
produced products.

No part of this Manual or the
Kwiktech product design may be
copied or reproduced without the
consent of Kwiktech Pty Ltd.

Construction using Kwiktech
products may require planning
approval. Always contact your Local
Council for the most up-to-date
rules and regulations for your area.

All dimensions are in millimeters
(mm)

Build Preparation



Rail Inserts



Extra Strong Rails



Universal
Connectors

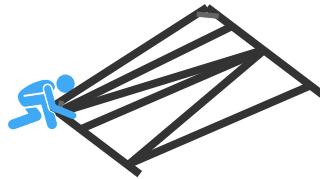


Door Stopper

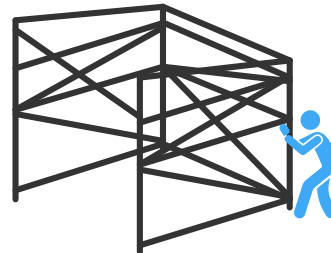


Footing
Preparation

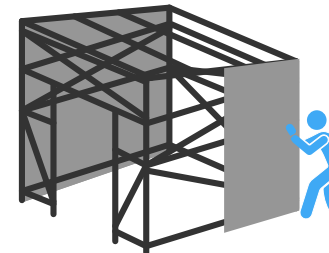
Assembly Sequence



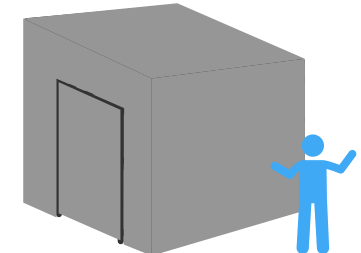
Fabricate



Erect & Fabricate



Cladding & Flashings



Finished Product

REQUIRED KWIKTECH ITEMS (INCLUDED IN KIT)

ITEM	QUANTITY	ITEM	QUANTITY
Post Connector (KT-P-001)	0	10G x 16 Self Drilling Wafer Head Screw	1200
Universal Connector (KT-P-002)	120	M6 x 40 Socket Head Cap Screw - Zinc	120
Rail Inserts (KT-P-003)	108	M6 x 20 Hex Head Bolt - Galv	0
60° Rail Inserts (KT-P-004)	12	M6 Nut - Galv	0
Star Picket Guide (KT-P-005)	0	Kwiktech 2mm Displacement Plate	24
Post Cap (KT-P-006)	0	Right Angle Bracket - Zinc	4
Tension Strapping 0.8 x 30 x 85mm	0	Assembly Wedge - Rubber	2
Tension Strapping 0.8 x 30 x 95mm	48	10G x 16 Self Drilling Small Head Flat Top Screw	260
Tension Strapping 0.8 x 30 x 135mm	0		
Tension Strapping 0.8 x 30 x 250mm	10		

HOLLOW METAL TOTAL

ITEM	TOTAL LENGTH
Duragal 75x50x2.0mm	6m
Duragal 50x50x2mm	5.1m
Duragal 50x50x1.5mm	99m
Duragal 38x25x1.2mm	87m

FOR
INFORMATION
ONLY

Member Locations

'Classic Inspire'
3m x 4.5m x 2.45m Shed
Extension - Back

User Manual

Read in conjunction with
Kwiktech Build Guide and
Kwiktech Tips & Tricks

Designed by

kwiktech.

Engineered by

sbec. SCHMIDT
BENTLEY
ENGINEERING
CONSULTING

Rating: Region A

Rev 1.7

This Manual is the sole property of
Kwiktech Pty Ltd.
All rights are reserved.

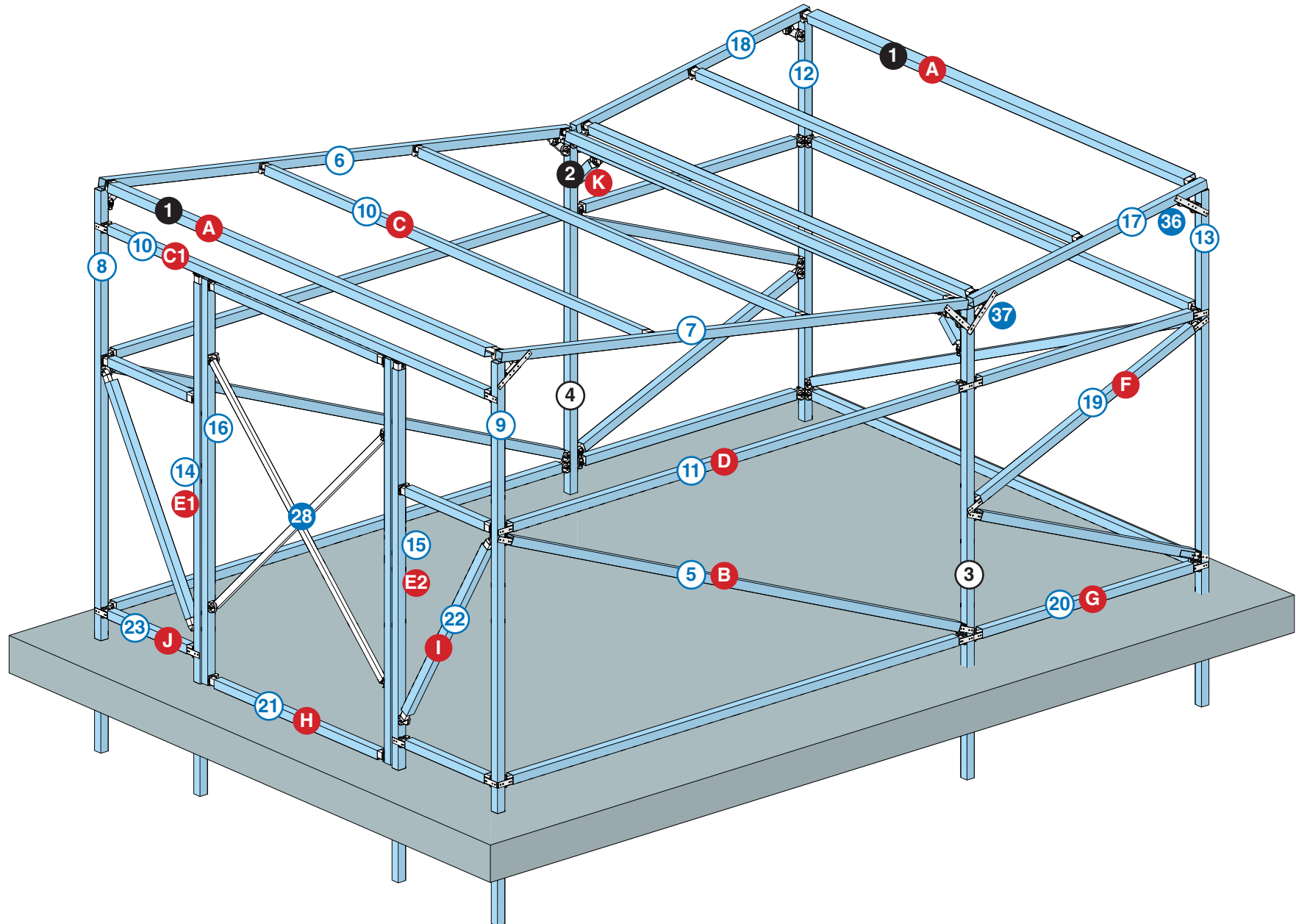
This Manual is designed to be only
used with Kwiktech
produced products.

No part of this Manual or the
Kwiktech product design may be
copied or reproduced without the
consent of Kwiktech Pty Ltd.

Construction using Kwiktech
products may require planning
approval. Always contact your Local
Council for the most up-to-date
rules and regulations for your area.

All dimensions are in millimeters
(mm)

www.kwiktech.com.au
© Kwiktech Pty Ltd 2022



NOTE: Some member ID's hidden for clarity.

Rail Assembly

'Classic Inspire'
3m x 4.5m x 2.45m Shed
Extension - Back

User Manual

Read in conjunction with
Kwiktech Build Guide and
Kwiktech Tips & Tricks

Designed by



Engineered by



Rating: Region A

Rev 1.7

This Manual is the sole property of
Kwiktech Pty Ltd.
All rights are reserved.

This Manual is designed to be only
used with Kwiktech
produced products.

No part of this Manual or the
Kwiktech product design may be
copied or reproduced without the
consent of Kwiktech Pty Ltd.

Construction using Kwiktech
products may require planning
approval. Always contact your Local
Council for the most up-to-date
rules and regulations for your area.

All dimensions are in millimeters
(mm)

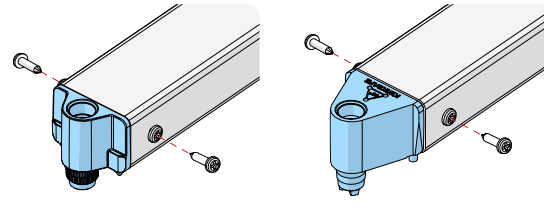
Rail Setup

Refer to build guide for
assembly details.

All members have a Standard
insert unless otherwise noted.

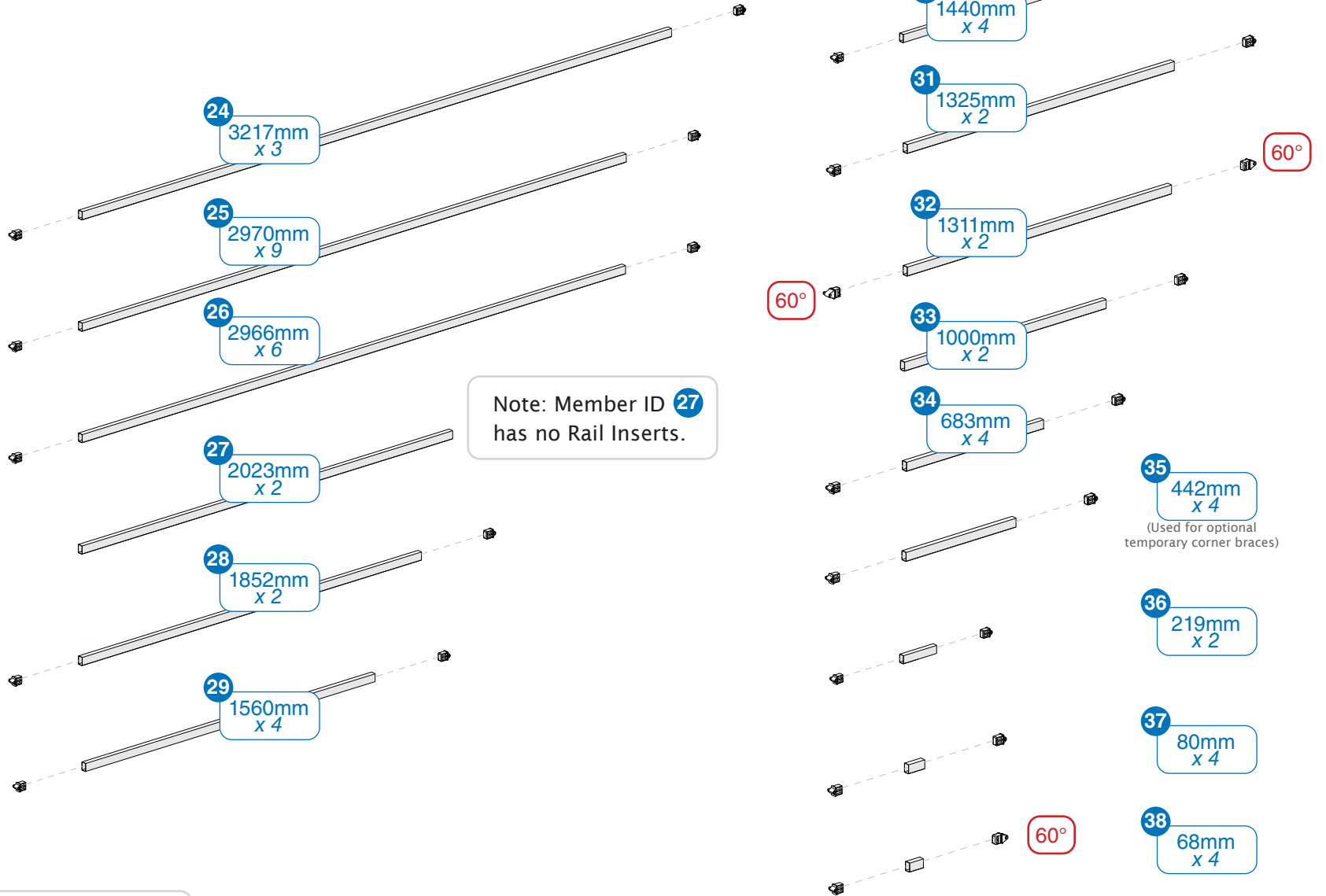
Mark item ID on each member.

RAIL INSERT TYPES



Standard

60°



Approximate time
required: 2 Hours

Extra Strong Rail Assembly

'Classic Inspire'
3m x 4.5m x 2.45m Shed
Extension - Back

User Manual

Read in conjunction with
Kwiktech Build Guide and
Kwiktech Tips & Tricks

Designed by



Engineered by



Rating: Region A

Rev 1.7

This Manual is the sole property of
Kwiktech Pty Ltd.
All rights are reserved.

This Manual is designed to be only
used with Kwiktech
produced products.

No part of this Manual or the
Kwiktech product design may be
copied or reproduced without the
consent of Kwiktech Pty Ltd.

Construction using Kwiktech
products may require planning
approval. Always contact your Local
Council for the most up-to-date
rules and regulations for your area.

All dimensions are in millimeters
(mm)

www.kwiktech.com.au
© Kwiktech Pty Ltd 2022

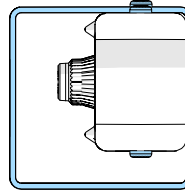
Rail Setup

Refer to build guide for
assembly details.

Mark assembly ID
on each member.

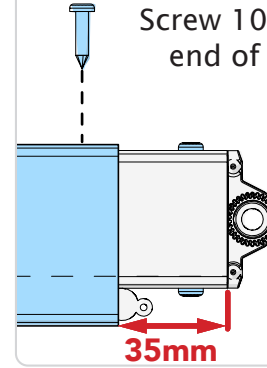
MEMBER ORIENTATION

38x25 in the
Top Left Corner



ENDS FIXING DETAIL

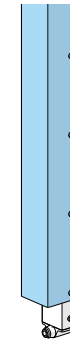
Screw 10mm from
end of 50x50.



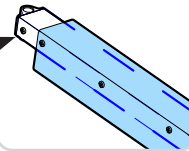
Note: Use
Kiwktech
Wedge or
similar
wedge/shim

ENDS FIXING DETAIL

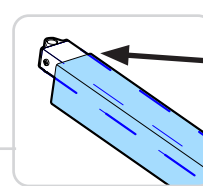
4 screws from 50x50
into 38x25. 100mm
spacing, both ends
for 38x25 full length
members.



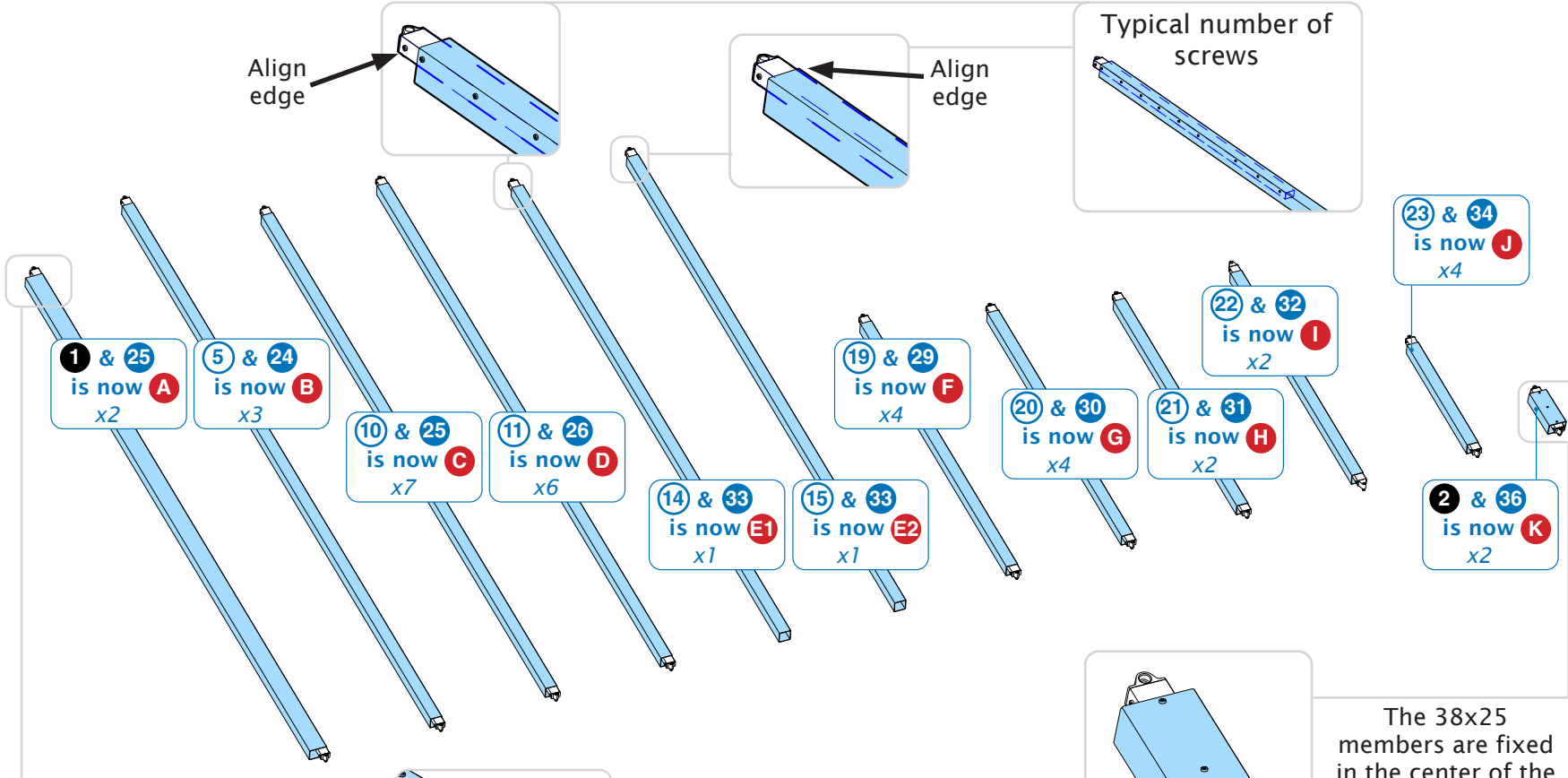
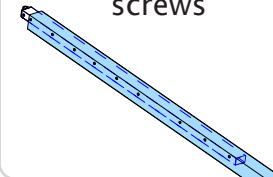
Align
edge



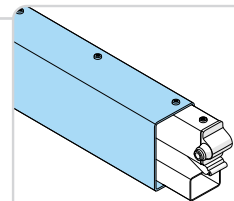
Align
edge



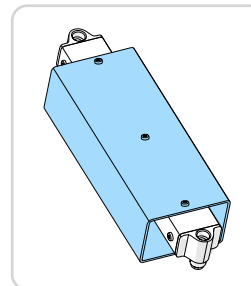
Typical number of
screws



Use spare member **38**
as a spacing wedge to
position the 38x25
inside the 75x50



The 38x25
members are fixed
in the center of the
75x50 members.



Approximate time
required: 3 Hours

Universal Connector Locations

'Classic Inspire'

3m x 4.5m x 2.45m Shed

Extension - Back

User Manual

Read in conjunction with
Kwiktech Build Guide and
Kwiktech Tips & Tricks

Designed by

kwiktech.

Engineered by

sbec. SCHMIDT
BENTLEY
ENGINEERING
CONSULTING

Rating: Region A

Rev 1.7

This Manual is the sole property of
Kwiktech Pty Ltd.
All rights are reserved.

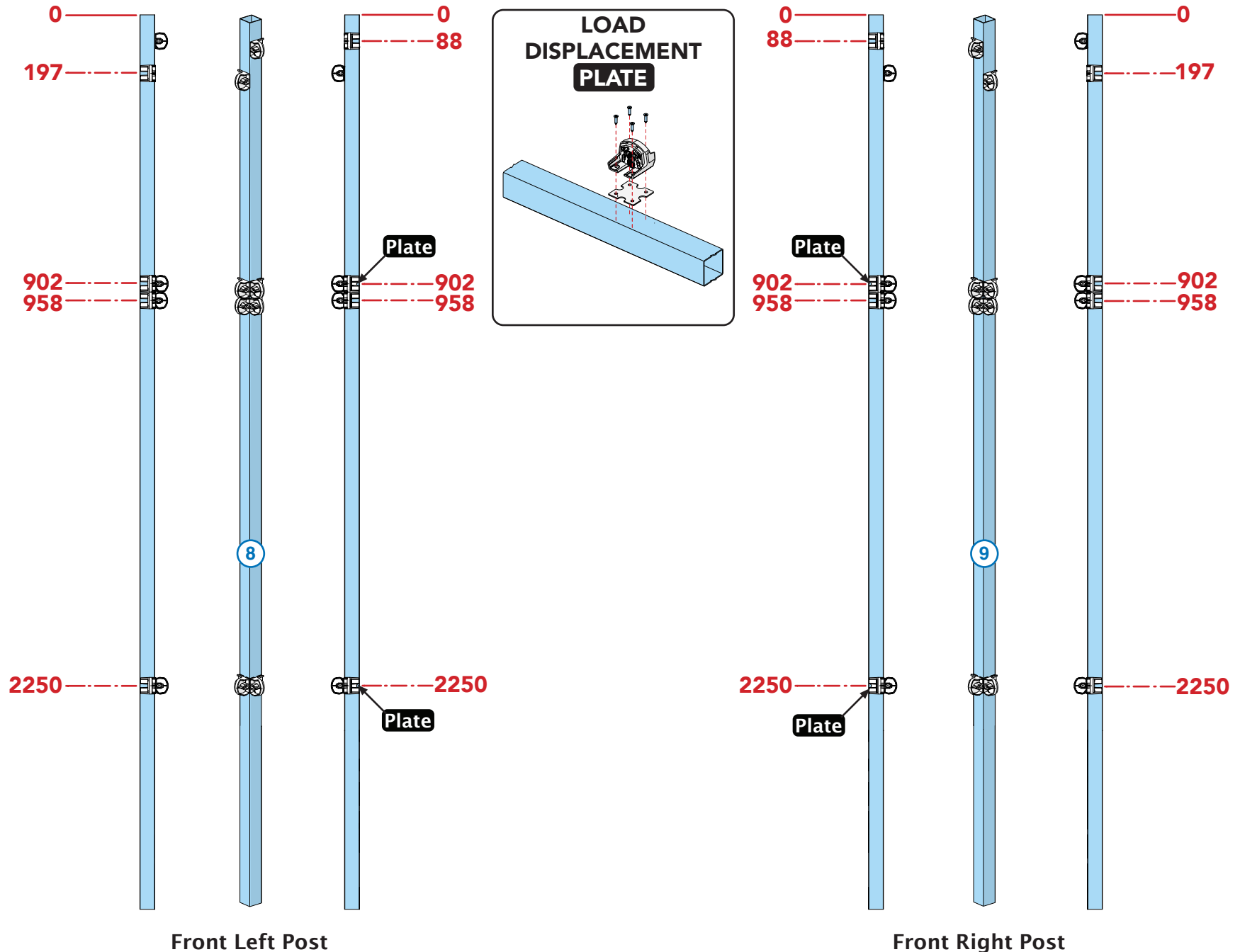
This Manual is designed to be only
used with Kwiktech
produced products.

No part of this Manual or the
Kwiktech product design may be
copied or reproduced without the
consent of Kwiktech Pty Ltd.

Construction using Kwiktech
products may require planning
approval. Always contact your Local
Council for the most up-to-date
rules and regulations for your area.

All dimensions are in millimeters
(mm)

www.kwiktech.com.au
© Kwiktech Pty Ltd 2022



Approximate time
required: 1 Hour

Universal Connector Locations

'Classic Inspire'

3m x 4.5m x 2.45m Shed

Extension - Back

User Manual

Read in conjunction with
Kwiktech Build Guide and
Kwiktech Tips & Tricks

Designed by

kwiktech.

Engineered by

sbec. SCHMIDT
BENTLEY
ENGINEERING
CONSULTING

Rating: Region A

Rev 1.7

This Manual is the sole property of
Kwiktech Pty Ltd.
All rights are reserved.

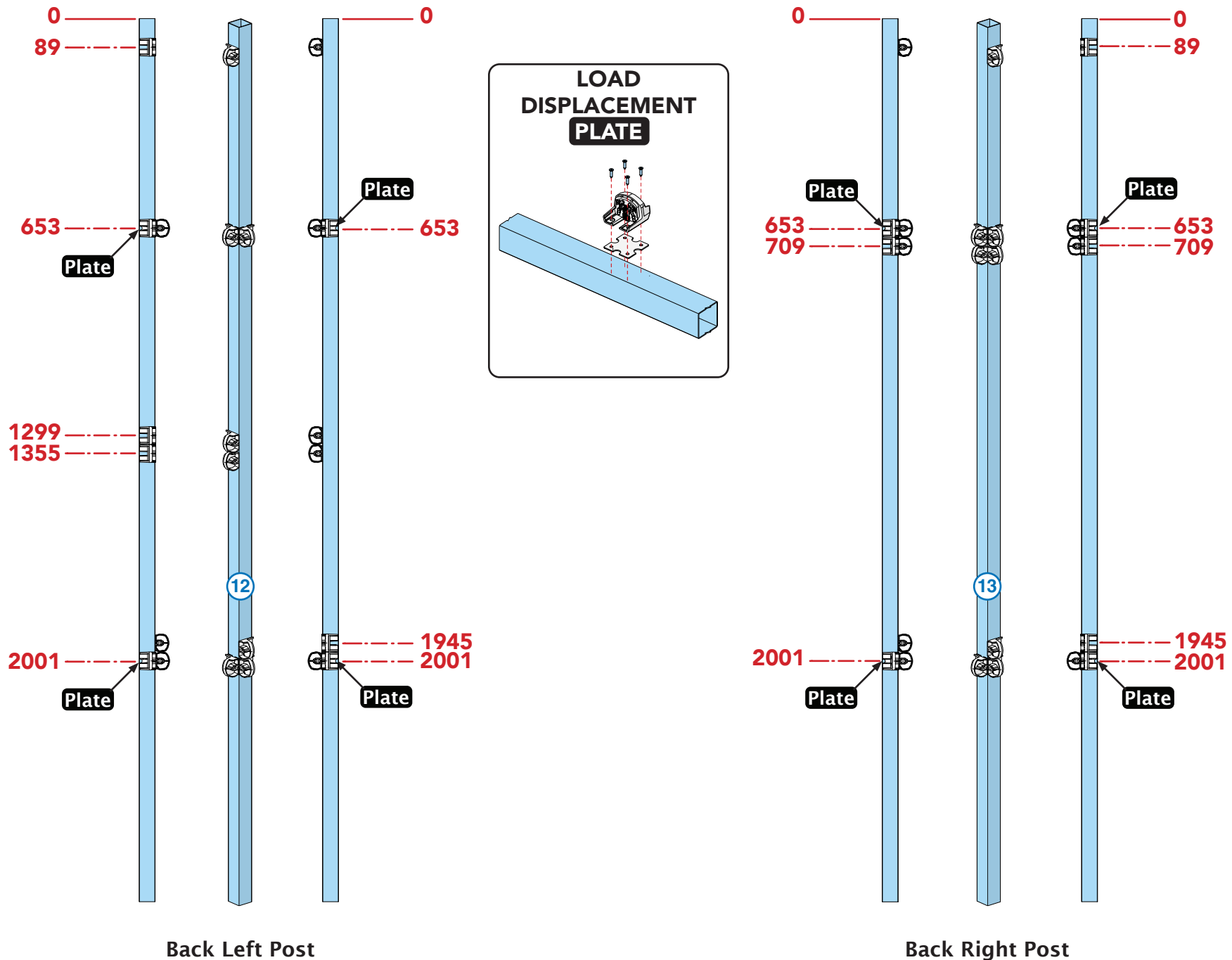
This Manual is designed to be only
used with Kwiktech
produced products.

No part of this Manual or the
Kwiktech product design may be
copied or reproduced without the
consent of Kwiktech Pty Ltd.

Construction using Kwiktech
products may require planning
approval. Always contact your Local
Council for the most up-to-date
rules and regulations for your area.

All dimensions are in millimeters
(mm)

www.kwiktech.com.au
© Kwiktech Pty Ltd 2022



Approximate time
required: 1 Hour

Universal Connector Locations

'Classic Inspire'

3m x 4.5m x 2.45m Shed
Extension - Back

User Manual

Read in conjunction with
Kwiktech Build Guide and
Kwiktech Tips & Tricks

Designed by



Engineered by



Rating: Region A

Rev 1.7

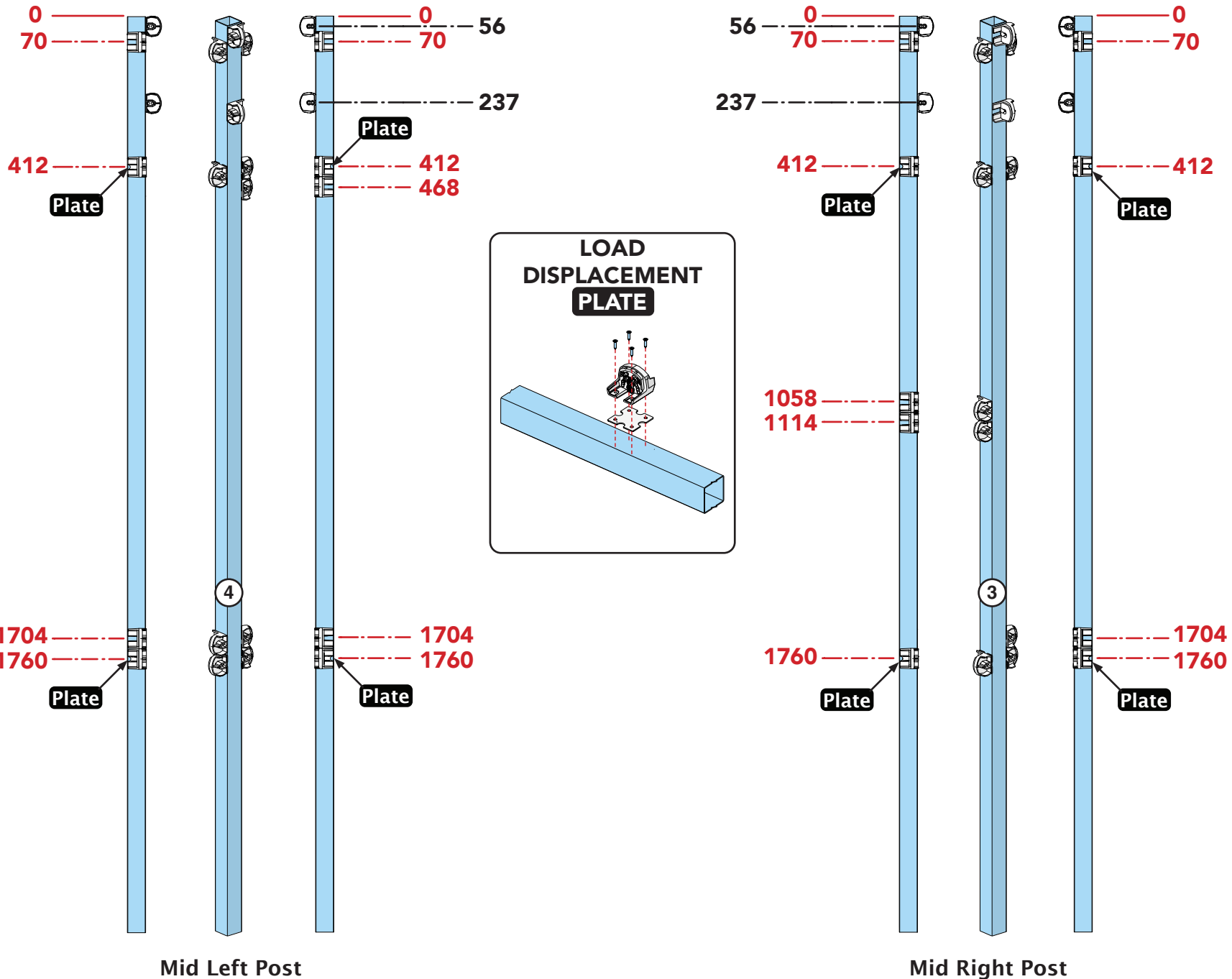
This Manual is the sole property of
Kwiktech Pty Ltd.
All rights are reserved.

This Manual is designed to be only
used with Kwiktech
produced products.

No part of this Manual or the
Kwiktech product design may be
copied or reproduced without the
consent of Kwiktech Pty Ltd.

Construction using Kwiktech
products may require planning
approval. Always contact your Local
Council for the most up-to-date
rules and regulations for your area.

All dimensions are in millimeters
(mm)



Approximate time
required: 1 Hour

Universal Connector Locations

'Classic Inspire'

3m x 4.5m x 2.45m Shed

Extension - Back

User Manual

Read in conjunction with
Kwiktech Build Guide and
Kwiktech Tips & Tricks

Designed by

kwiktech.

Engineered by

sbec. SCHMIDT
BENTLEY
ENGINEERING
CONSULTING

Rating: Region A

Rev 1.7

This Manual is the sole property of
Kwiktech Pty Ltd.
All rights are reserved.

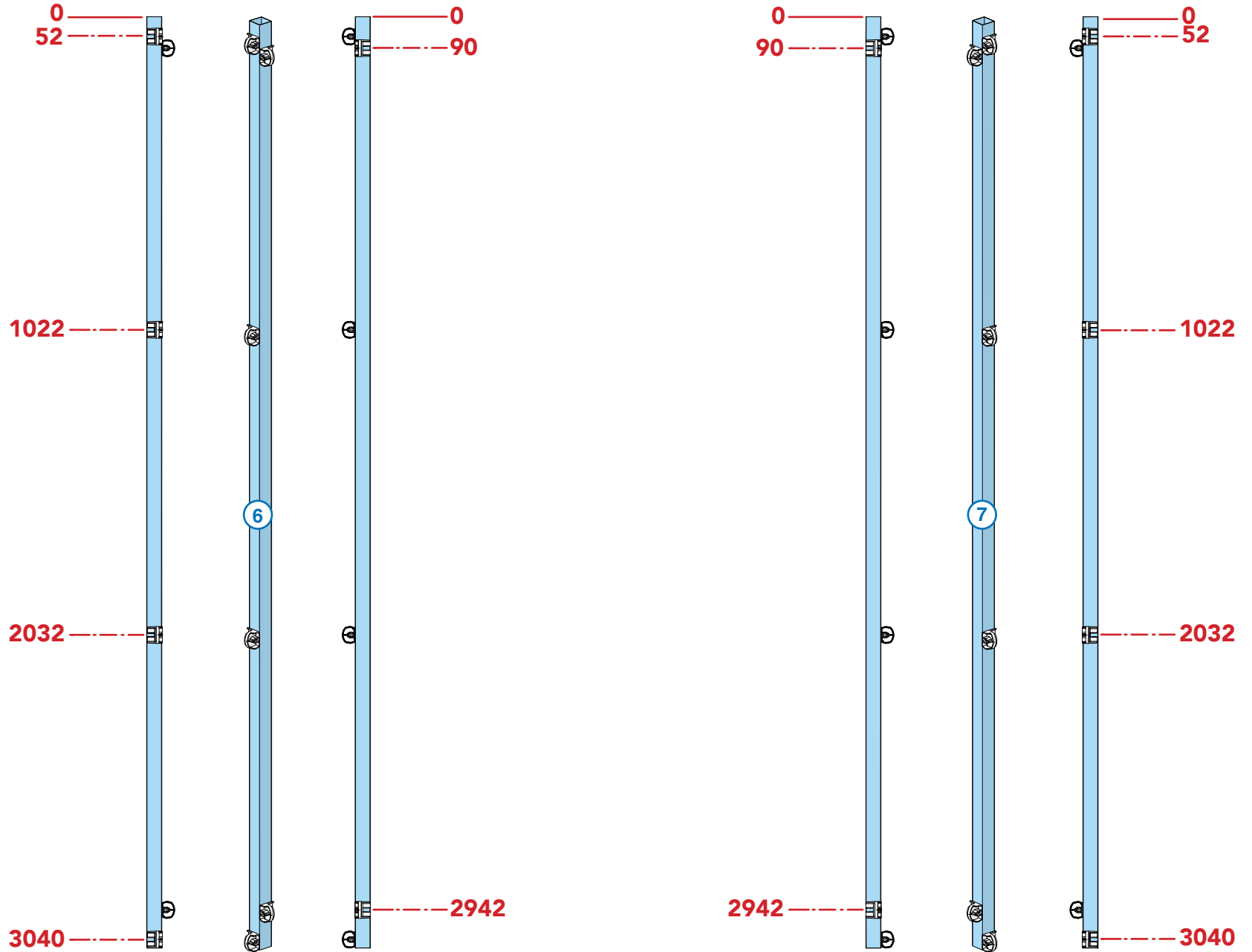
This Manual is designed to be only
used with Kwiktech
produced products.

No part of this Manual or the
Kwiktech product design may be
copied or reproduced without the
consent of Kwiktech Pty Ltd.

Construction using Kwiktech
products may require planning
approval. Always contact your Local
Council for the most up-to-date
rules and regulations for your area.

All dimensions are in millimeters
(mm)

www.kwiktech.com.au
© Kwiktech Pty Ltd 2022



Front Roof Left

Front Roof Right

Approximate time
required: 1 Hour

Universal Connector Locations

'Classic Inspire'

3m x 4.5m x 2.45m Shed
Extension - Back

User Manual

Read in conjunction with
Kwiktech Build Guide and
Kwiktech Tips & Tricks

Designed by

kwiktech.

Engineered by

sbec. SCHMIDT
BENTLEY
ENGINEERING
CONSULTING

Rating: Region A

Rev 1.7

This Manual is the sole property of
Kwiktech Pty Ltd.
All rights are reserved.

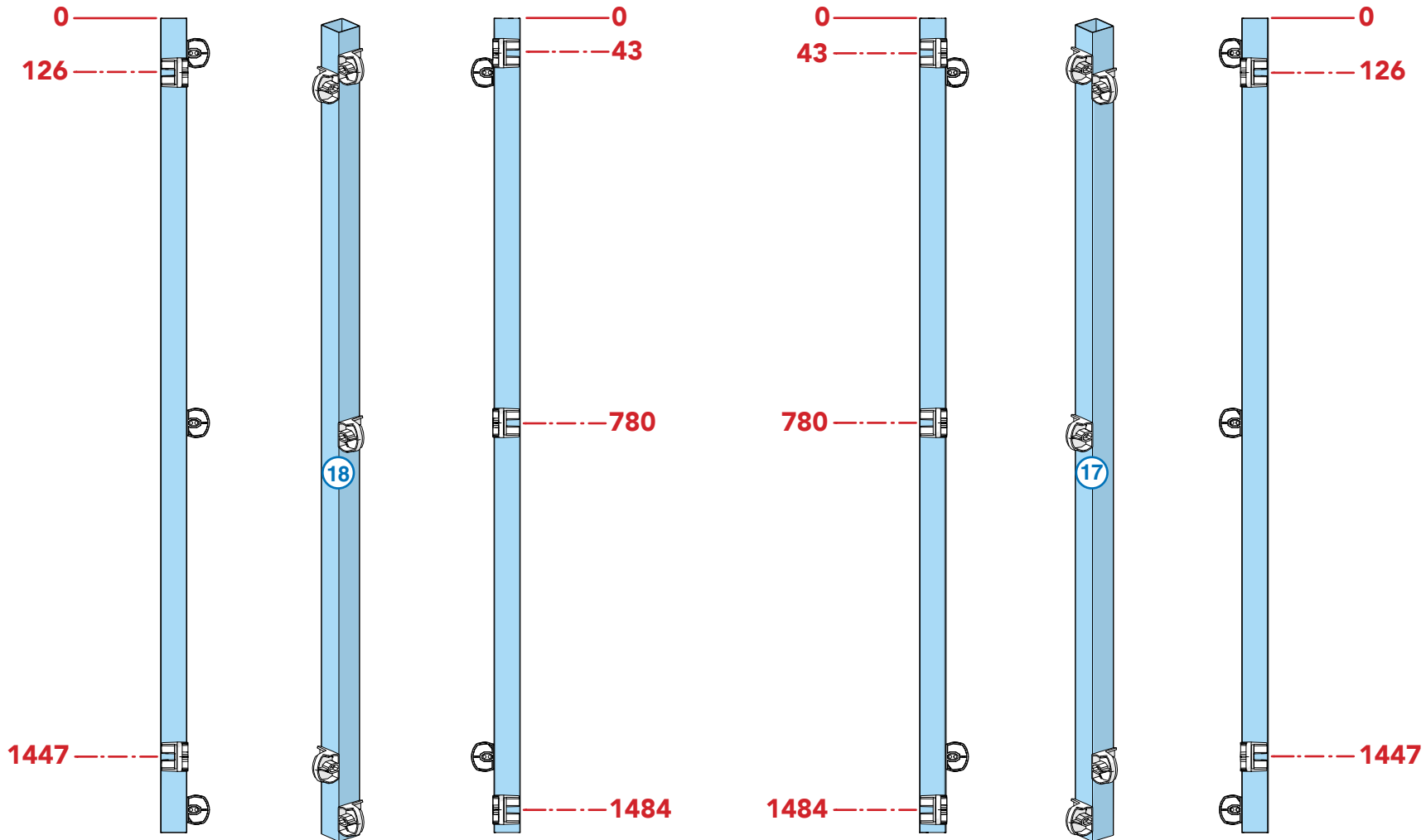
This Manual is designed to be only
used with Kwiktech
produced products.

No part of this Manual or the
Kwiktech product design may be
copied or reproduced without the
consent of Kwiktech Pty Ltd.

Construction using Kwiktech
products may require planning
approval. Always contact your Local
Council for the most up-to-date
rules and regulations for your area.

All dimensions are in millimeters
(mm)

www.kwiktech.com.au
© Kwiktech Pty Ltd 2022



Back Roof Left

Back Roof Right

Approximate time
required: 0.75 Hour

Universal Connector Locations

'Classic Inspire'

3m x 4.5m x 2.45m Shed
Extension - Back

User Manual

Read in conjunction with
Kwiktech Build Guide and
Kwiktech Tips & Tricks

Designed by

kwiktech.

Engineered by

sbec. SCHMIDT
BENTLEY
ENGINEERING
CONSULTING

Rating: Region A

Rev 1.7

This Manual is the sole property of
Kwiktech Pty Ltd.
All rights are reserved.

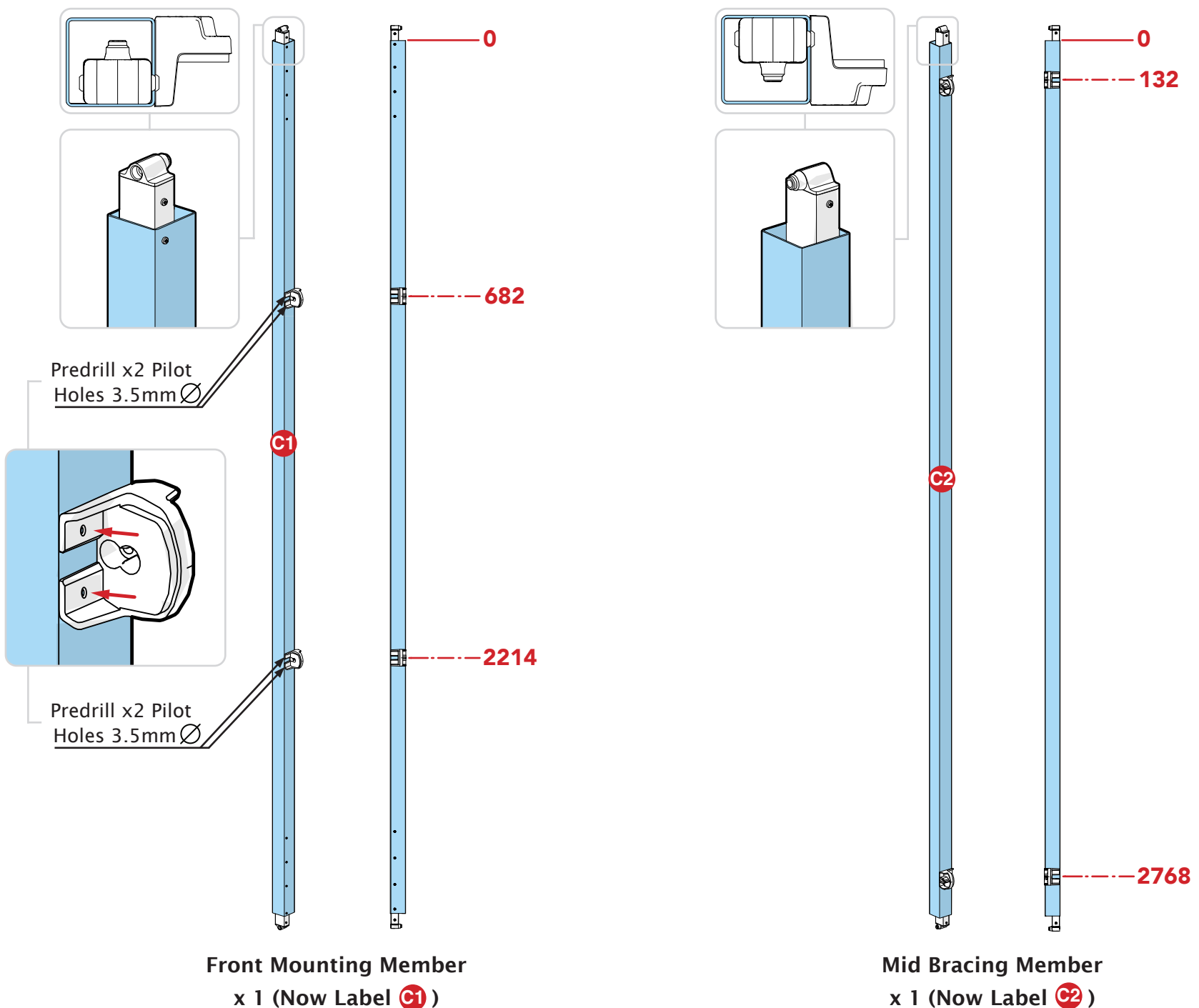
This Manual is designed to be only
used with Kwiktech
produced products.

No part of this Manual or the
Kwiktech product design may be
copied or reproduced without the
consent of Kwiktech Pty Ltd.

Construction using Kwiktech
products may require planning
approval. Always contact your Local
Council for the most up-to-date
rules and regulations for your area.

All dimensions are in millimeters
(mm)

www.kwiktech.com.au
© Kwiktech Pty Ltd 2022



Approximate time
required: 0.5 Hours

Universal Connector Locations

'Classic Inspire'

3m x 4.5m x 2.45m Shed

Extension - Back

User Manual

Read in conjunction with
Kwiktech Build Guide and
Kwiktech Tips & Tricks

Designed by

kwiktech.

Engineered by

sbec. SCHMIDT
BENTLEY
ENGINEERING
CONSULTING

Rating: Region A

Rev 1.7

This Manual is the sole property of
Kwiktech Pty Ltd.
All rights are reserved.

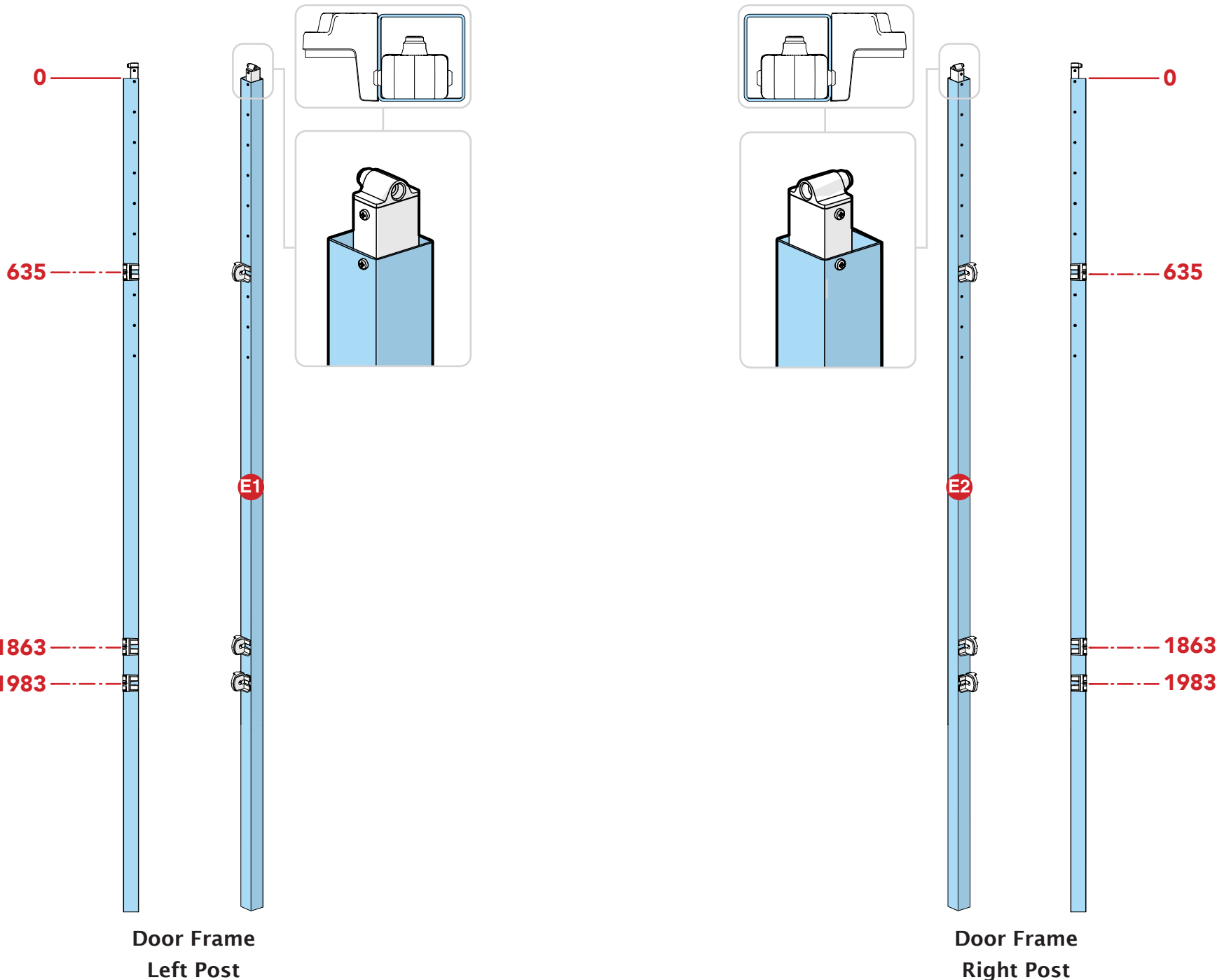
This Manual is designed to be only
used with Kwiktech
produced products.

No part of this Manual or the
Kwiktech product design may be
copied or reproduced without the
consent of Kwiktech Pty Ltd.

Construction using Kwiktech
products may require planning
approval. Always contact your Local
Council for the most up-to-date
rules and regulations for your area.

All dimensions are in millimeters
(mm)

www.kwiktech.com.au
© Kwiktech Pty Ltd 2022



Approximate time
required: 0.25 Hours

Door Post Stopper

'Classic Inspire'
3m x 4.5m x 2.45m Shed
Extension - Back

User Manual

Read in conjunction with
Kwiktech Build Guide and
Kwiktech Tips & Tricks

Designed by



Engineered by



Rating: Region A

Rev 1.7

This Manual is the sole property of
Kwiktech Pty Ltd.
All rights are reserved.

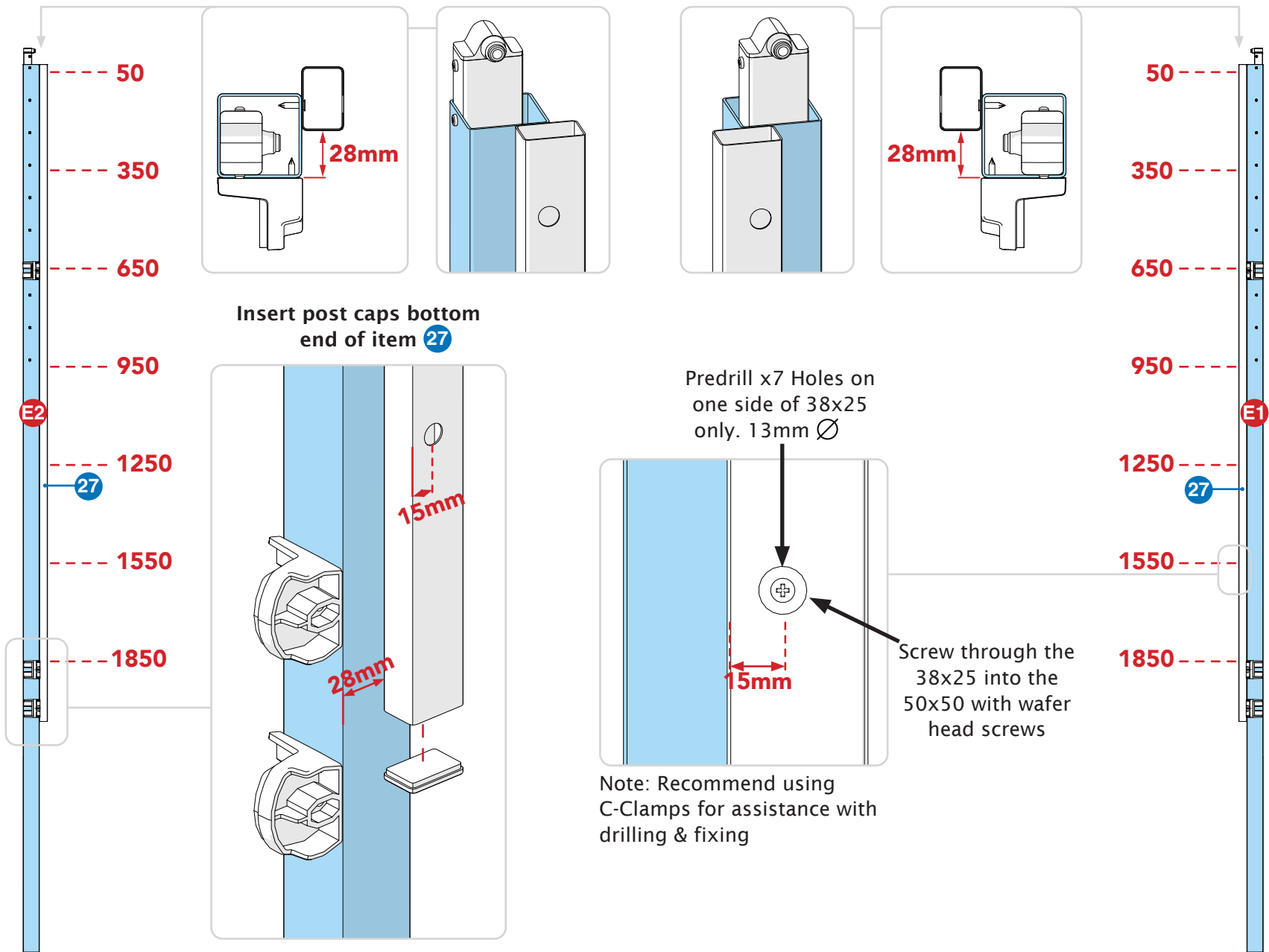
This Manual is designed to be only
used with Kwiktech
produced products.

No part of this Manual or the
Kwiktech product design may be
copied or reproduced without the
consent of Kwiktech Pty Ltd.

Construction using Kwiktech
products may require planning
approval. Always contact your Local
Council for the most up-to-date
rules and regulations for your area.

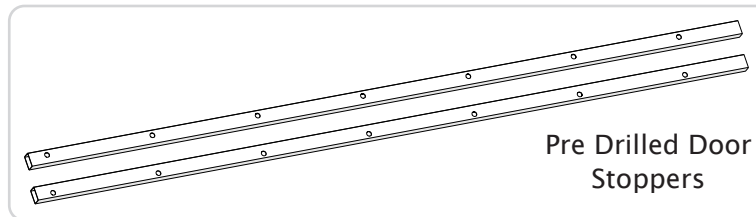
All dimensions are in millimeters
(mm)

www.kwiktech.com.au
© Kwiktech Pty Ltd 2022



Door Frame
Right Post

Door Frame
Left Post



Pre Drilled Door
Stoppers

Approximate time
required: 0.75 Hours

Universal Connector Locations

'Classic Inspire'

3m x 4.5m x 2.45m Shed
Extension - Back

User Manual

Read in conjunction with
Kwiktech Build Guide and
Kwiktech Tips & Tricks

Designed by



Engineered by



Rating: Region A

Rev 1.7

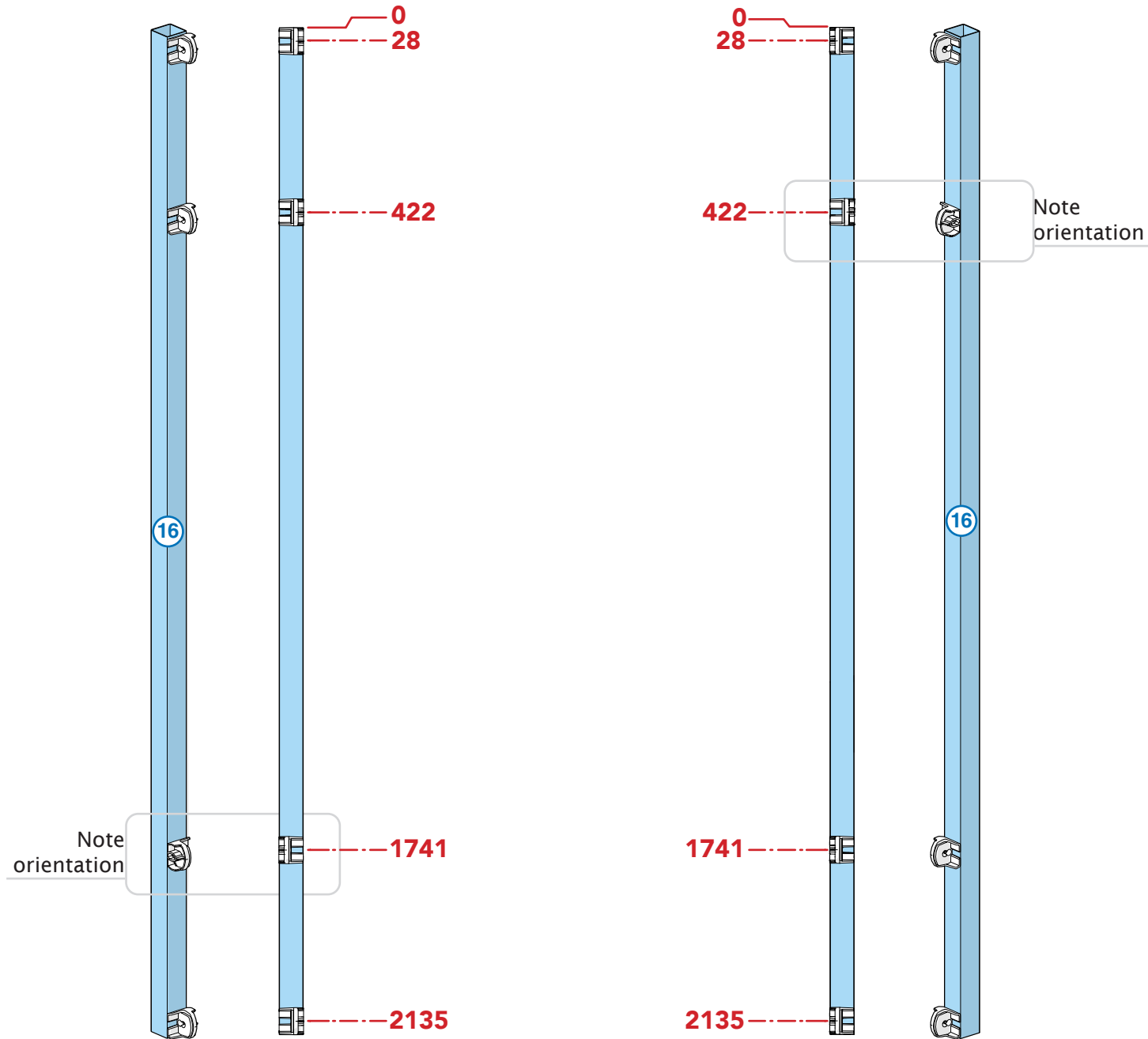
This Manual is the sole property of
Kwiktech Pty Ltd.
All rights are reserved.

This Manual is designed to be only
used with Kwiktech
produced products.

No part of this Manual or the
Kwiktech product design may be
copied or reproduced without the
consent of Kwiktech Pty Ltd.

Construction using Kwiktech
products may require planning
approval. Always contact your Local
Council for the most up-to-date
rules and regulations for your area.

All dimensions are in millimeters
(mm)



Door Left Post

Door Right Post

Approximate time
required: 0.25 Hours

Ground Fixing Details

'Classic Inspire'
3m x 4.5m x 2.45m Shed
Extension - Back

User Manual

Read in conjunction with
Kwiktech Build Guide and
Kwiktech Tips & Tricks

Designed by

kwiktech.

Engineered by

sbec. SCHMIDT
BENTLEY
ENGINEERING
CONSULTING

Rating: Region A

Rev 1.7

This Manual is the sole property of
Kwiktech Pty Ltd.
All rights are reserved.

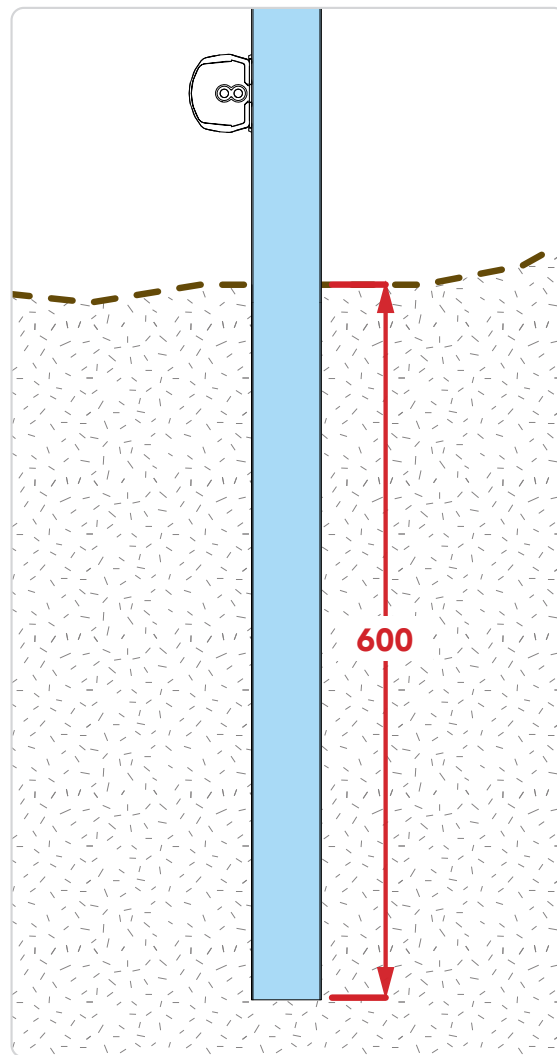
This Manual is designed to be only
used with Kwiktech
produced products.

No part of this Manual or the
Kwiktech product design may be
copied or reproduced without the
consent of Kwiktech Pty Ltd.

Construction using Kwiktech
products may require planning
approval. Always contact your Local
Council for the most up-to-date
rules and regulations for your area.

All dimensions are in millimeters
(mm)

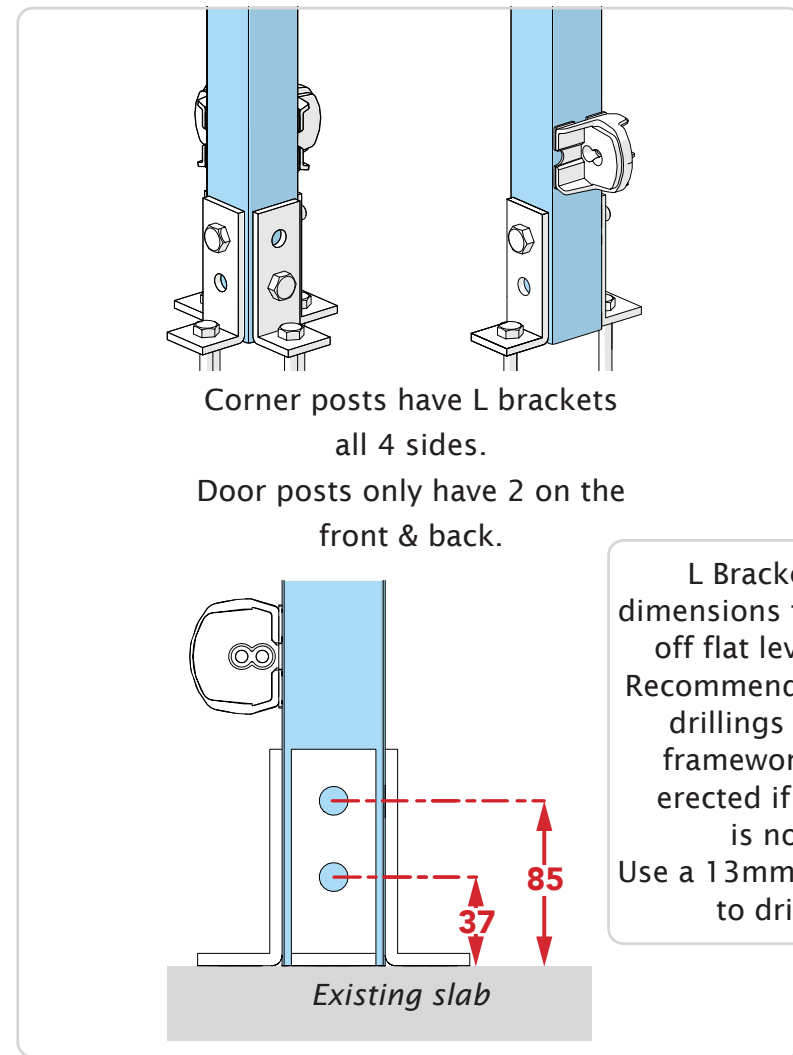
www.kwiktech.com.au
© Kwiktech Pty Ltd 2022



Primary Post Fixing Method

600mm embedment into ground x
either 450mm diameter OR 400mm
square hole.

Concrete minimum compressive
strength of 15 MPa.
(Applies to both fixing scenarios)



Secondary Post Fixing Method

Assumed existing slab to be minimum 100mm thick &
in sound structural condition.

L Bracket fixed to posts via m12x75 4.6 Hex Head Galv
Bolt/Nut. Use a 13mm metal drill bit to drill hole.

Fixed into concrete with 4 x Dynabolt DP12100GH
M10 12x100mm Galv Hex Nut, 70mm min edge
distance. Use a 12mm masonry drill bit to drill hole.

L Bracket drilling
dimensions for post based
off flat level surfaces.
Recommend marking and
drillings holes after
framework has been
erected if the surface
is not level.
Use a 13mm metal drill bit
to drill hole.

Ground Fixing Details

'Classic Inspire'
3m x 4.5m x 2.45m Shed
Extension - Back

User Manual

Read in conjunction with
Kwiktech Build Guide and
Kwiktech Tips & Tricks

Designed by



Engineered by



Rating: Region A

Rev 1.7

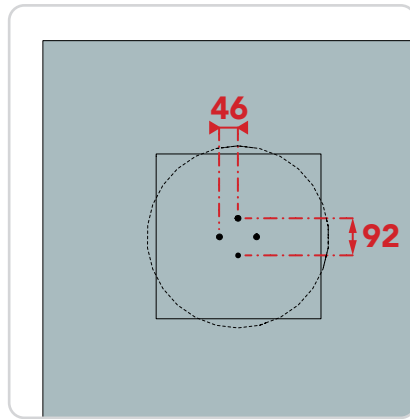
This Manual is the sole property of
Kwiktech Pty Ltd.
All rights are reserved.

This Manual is designed to be only
used with Kwiktech
produced products.

No part of this Manual or the
Kwiktech product design may be
copied or reproduced without the
consent of Kwiktech Pty Ltd.

Construction using Kwiktech
products may require planning
approval. Always contact your Local
Council for the most up-to-date
rules and regulations for your area.

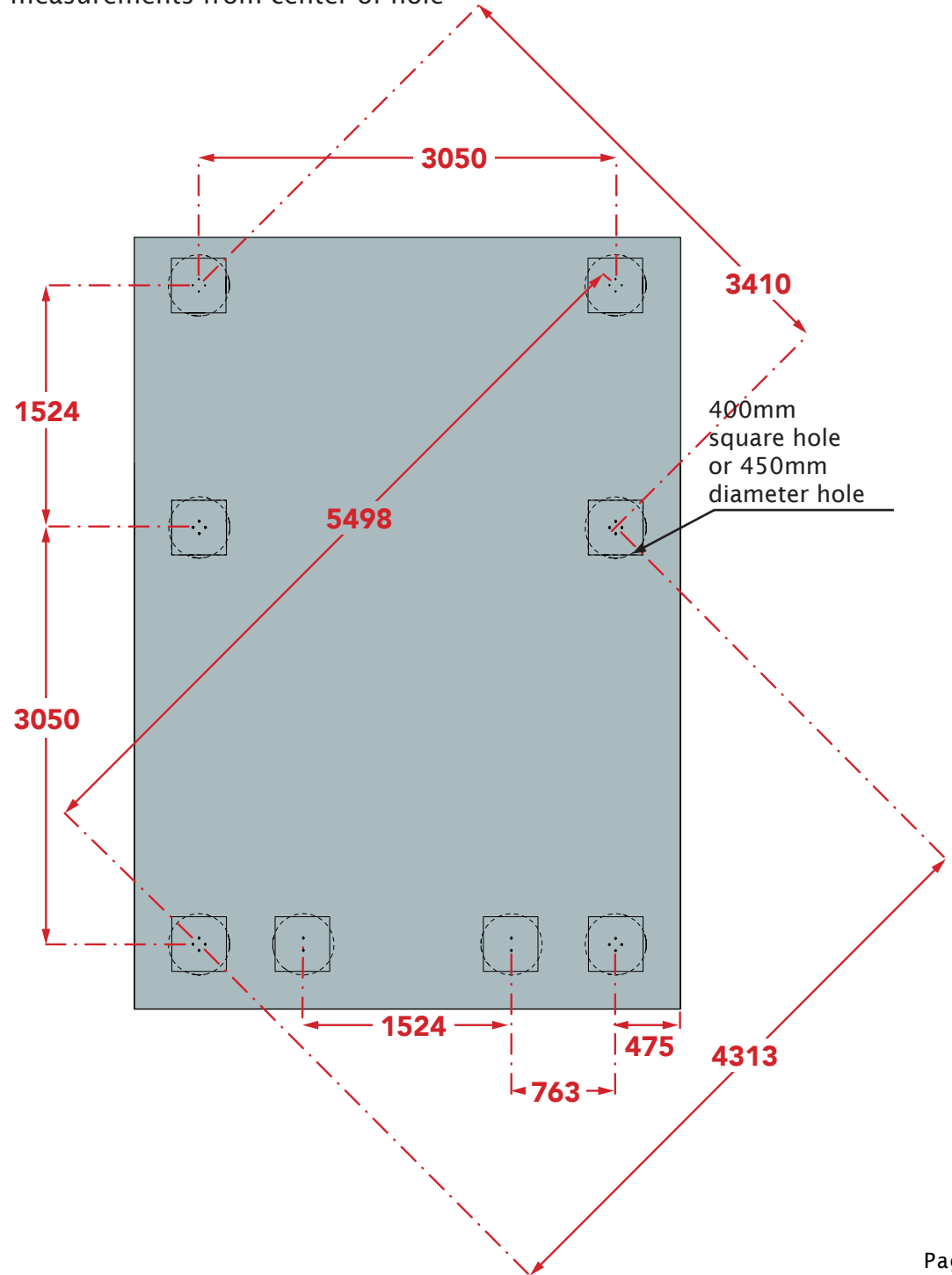
All dimensions are in millimeters
(mm)



Right Angle Bracket Holes
Measurements from center
of hole to center of right
angle bracket holes

Hole measurements

All measurements from center of hole



Assembly Sequence

'Classic Inspire'
3m x 4.5m x 2.45m Shed
Extension - Back

User Manual

Read in conjunction with
Kwiktech Build Guide and
Kwiktech Tips & Tricks

Designed by

kwiktech.

Engineered by

sbec. SCHMIDT
BENTLEY
ENGINEERING
CONSULTING

Rating: Region A

Rev 1.7

This Manual is the sole property of
Kwiktech Pty Ltd.
All rights are reserved.

This Manual is designed to be only
used with Kwiktech
produced products.

No part of this Manual or the
Kwiktech product design may be
copied or reproduced without the
consent of Kwiktech Pty Ltd.

Construction using Kwiktech
products may require planning
approval. Always contact your Local
Council for the most up-to-date
rules and regulations for your area.

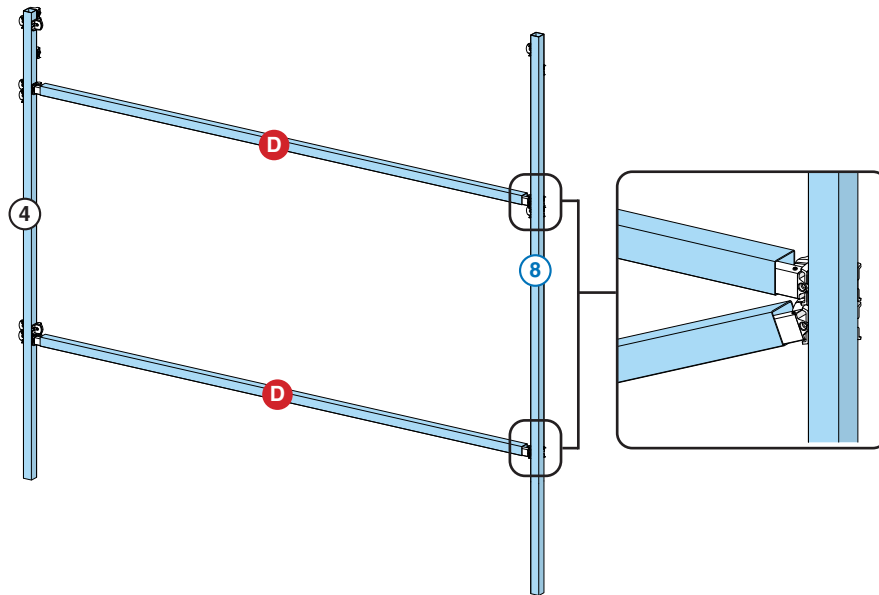
All dimensions are in millimeters
(mm)

www.kwiktech.com.au
© Kwiktech Pty Ltd 2022

Build Left Wall Construct on the ground. (Images show frames upright for clarity)

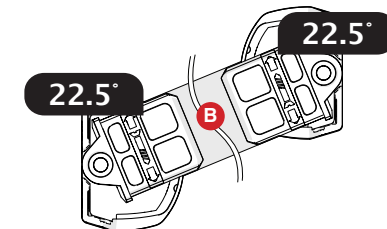
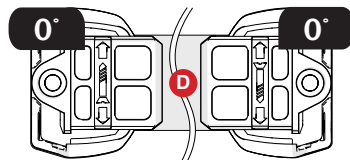
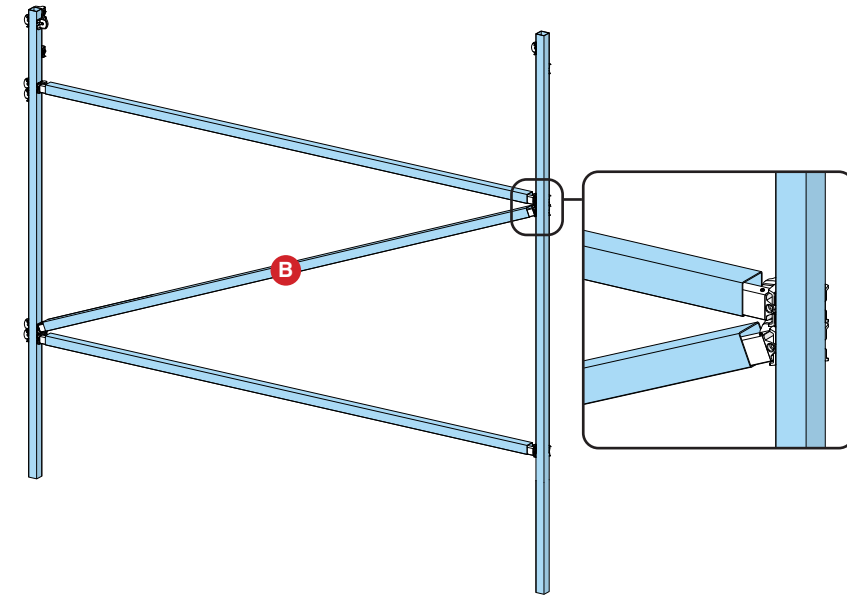
Step 1

Attach 2 rail items below



Step 2

Attach the rail below



Approximate time
required: 0.25 Hours

Assembly Sequence

'Classic Inspire'
3m x 4.5m x 2.45m Shed
Extension - Back

User Manual

Read in conjunction with
Kwiktech Build Guide and
Kwiktech Tips & Tricks

Designed by



Engineered by



Rating: Region A

Rev 1.7

This Manual is the sole property of
Kwiktech Pty Ltd.
All rights are reserved.

This Manual is designed to be only
used with Kwiktech
produced products.

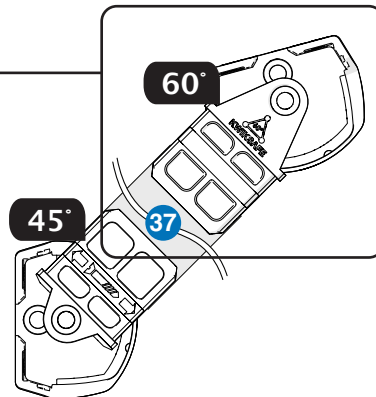
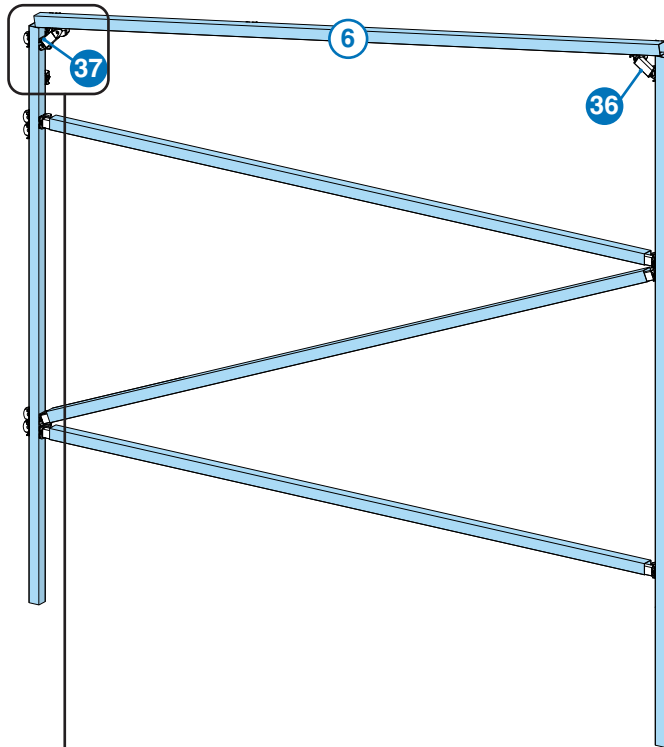
No part of this Manual or the
Kwiktech product design may be
copied or reproduced without the
consent of Kwiktech Pty Ltd.

Construction using Kwiktech
products may require planning
approval. Always contact your Local
Council for the most up-to-date
rules and regulations for your area.

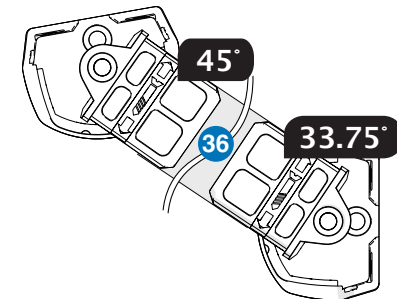
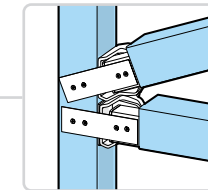
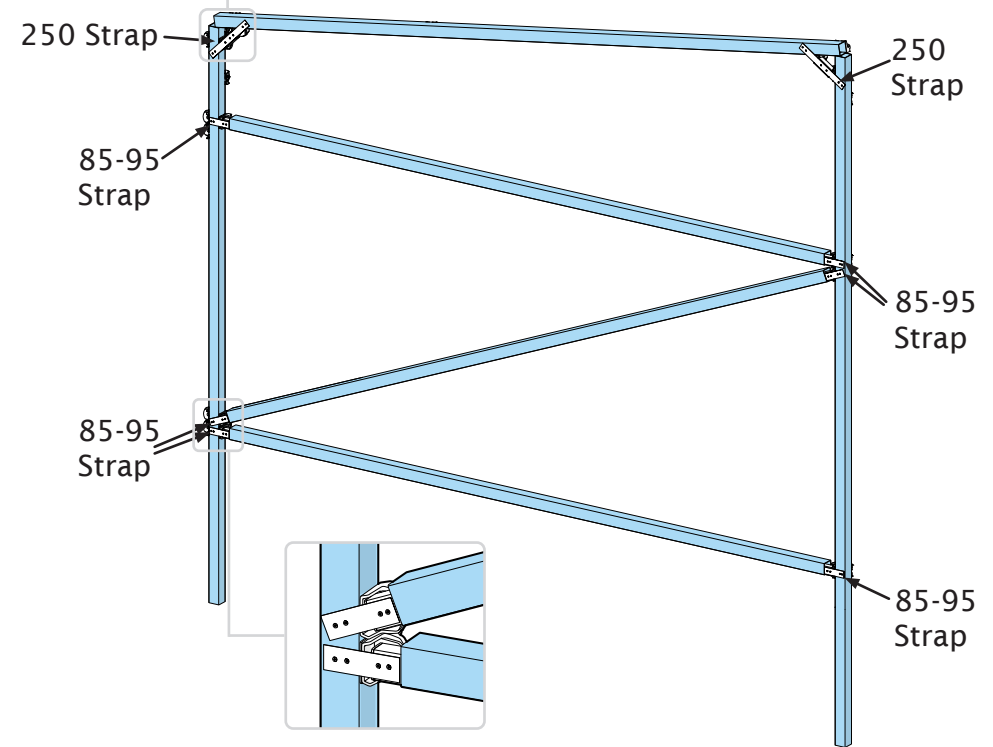
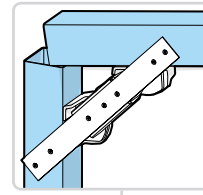
All dimensions are in millimeters
(mm)

Build Left Wall Construct on the ground. (Images show frames upright for clarity)

Step 3
Attach 3 rail items below



Step 4
Fix tension strapping to framing



Approximate time
required: 0.25 Hours

Assembly Sequence

'Classic Inspire'
3m x 4.5m x 2.45m Shed
Extension - Back

User Manual

Read in conjunction with
Kwiktech Build Guide and
Kwiktech Tips & Tricks

Designed by

kwiktech.

Engineered by

sbec. SCHMIDT
BENTLEY
ENGINEERING
CONSULTING

Rating: Region A

Rev 1.7

This Manual is the sole property of
Kwiktech Pty Ltd.
All rights are reserved.

This Manual is designed to be only
used with Kwiktech
produced products.

No part of this Manual or the
Kwiktech product design may be
copied or reproduced without the
consent of Kwiktech Pty Ltd.

Construction using Kwiktech
products may require planning
approval. Always contact your Local
Council for the most up-to-date
rules and regulations for your area.

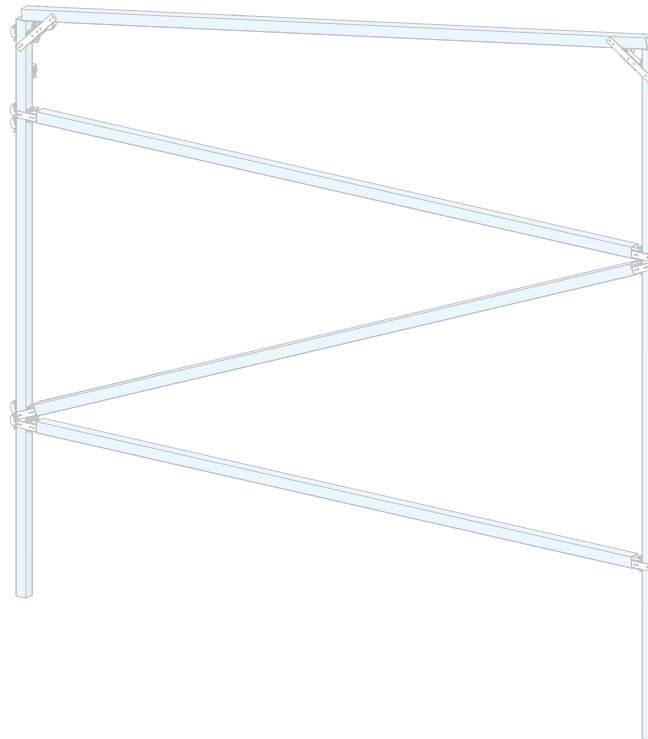
All dimensions are in millimeters
(mm)

www.kwiktech.com.au
© Kwiktech Pty Ltd 2022

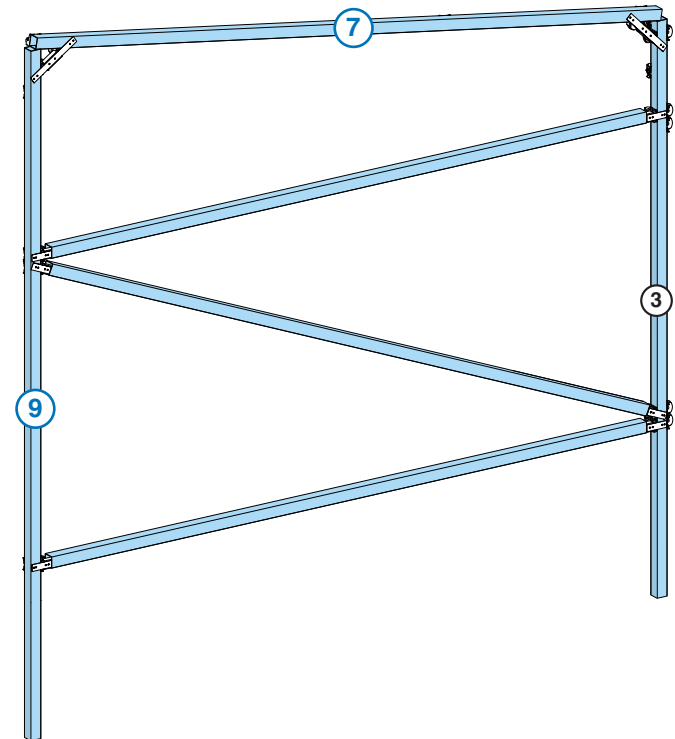
Build Right Wall

Right side assembly steps the
same as the left but mirrored.

Step 5
Left wall finished



Step 6
Repeat previous steps for right wall



Approximate time
required: 0.5 Hours

Assembly Sequence

'Classic Inspire'
3m x 4.5m x 2.45m Shed
Extension - Back

User Manual

Read in conjunction with
Kwiktech Build Guide and
Kwiktech Tips & Tricks

Designed by



Engineered by



Rating: Region A

Rev 1.7

This Manual is the sole property of
Kwiktech Pty Ltd.
All rights are reserved.

This Manual is designed to be only
used with Kwiktech
produced products.

No part of this Manual or the
Kwiktech product design may be
copied or reproduced without the
consent of Kwiktech Pty Ltd.

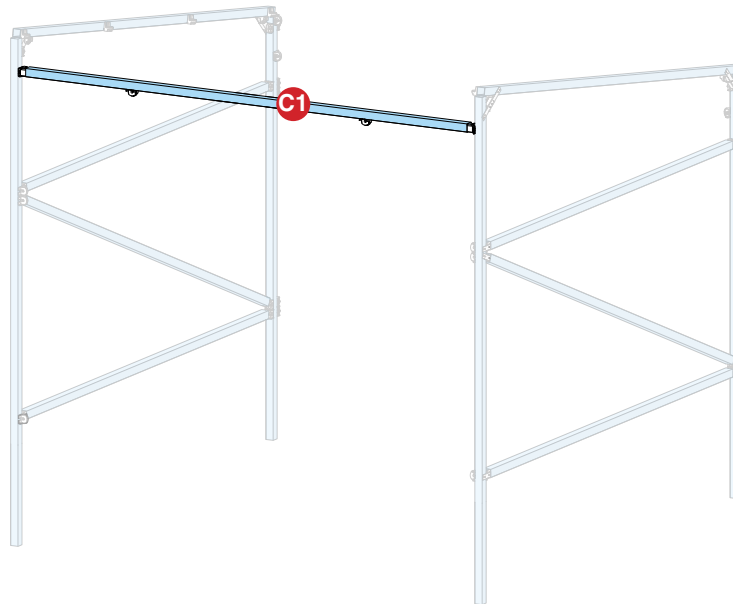
Construction using Kwiktech
products may require planning
approval. Always contact your Local
Council for the most up-to-date
rules and regulations for your area.

All dimensions are in millimeters
(mm)

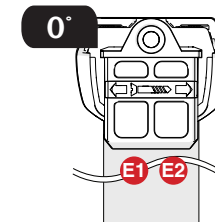
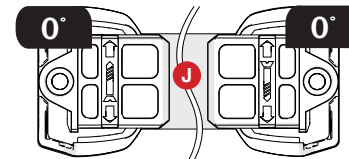
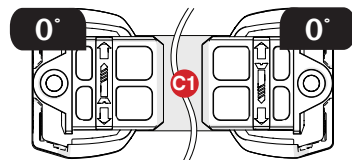
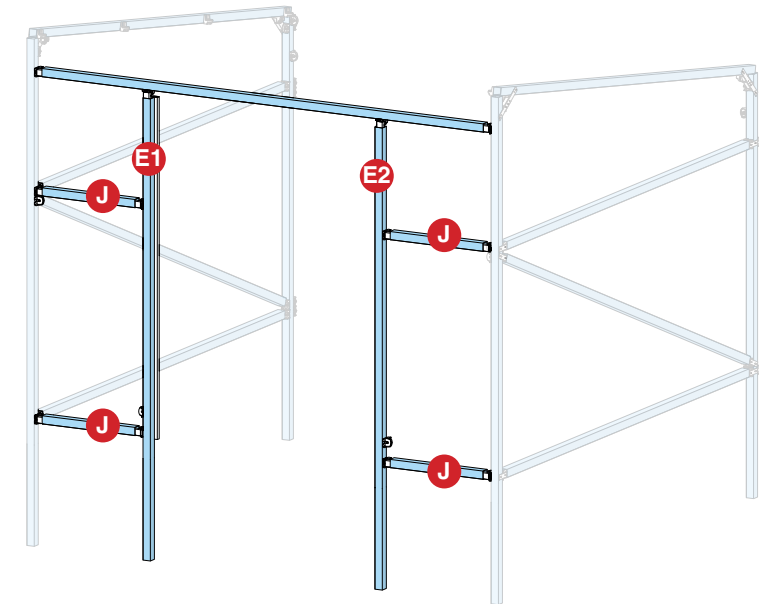
www.kwiktech.com.au
© Kwiktech Pty Ltd 2022

Fix Walls Together with Front members

Step 1
Attach the rail below



Step 2
Attach the 6 rail items below



Approximate time
required: 0.25 Hours

Assembly Sequence

'Classic Inspire'

3m x 4.5m x 2.45m Shed
Extension - Back

User Manual

Read in conjunction with
Kwiktech Build Guide and
Kwiktech Tips & Tricks

Designed by

kwiktech.

Engineered by

sbec. SCHMIDT
BENTLEY
ENGINEERING
CONSULTING

Rating: Region A

Rev 1.7

This Manual is the sole property of
Kwiktech Pty Ltd.
All rights are reserved.

This Manual is designed to be only
used with Kwiktech
produced products.

No part of this Manual or the
Kwiktech product design may be
copied or reproduced without the
consent of Kwiktech Pty Ltd.

Construction using Kwiktech
products may require planning
approval. Always contact your Local
Council for the most up-to-date
rules and regulations for your area.

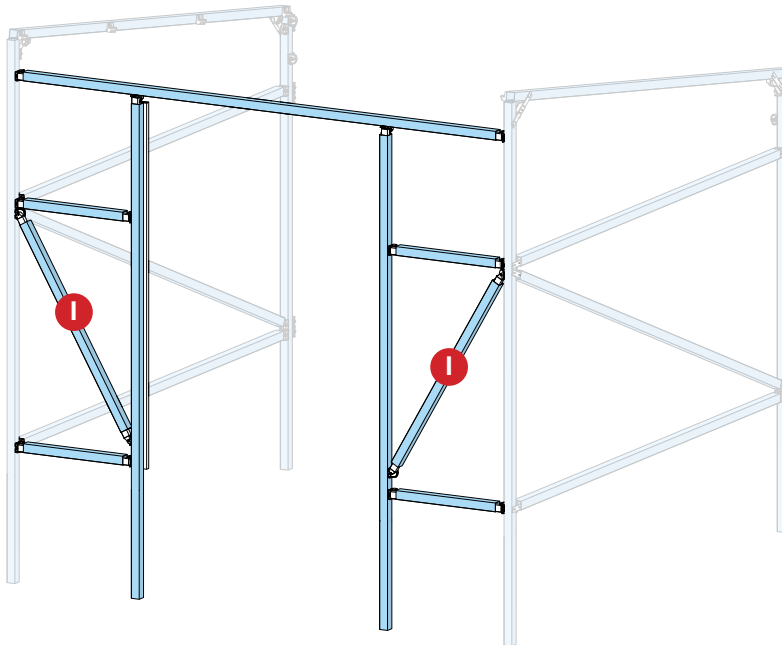
All dimensions are in millimeters
(mm)

www.kwiktech.com.au
© Kwiktech Pty Ltd 2022

Fix together with Front

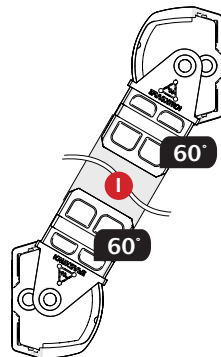
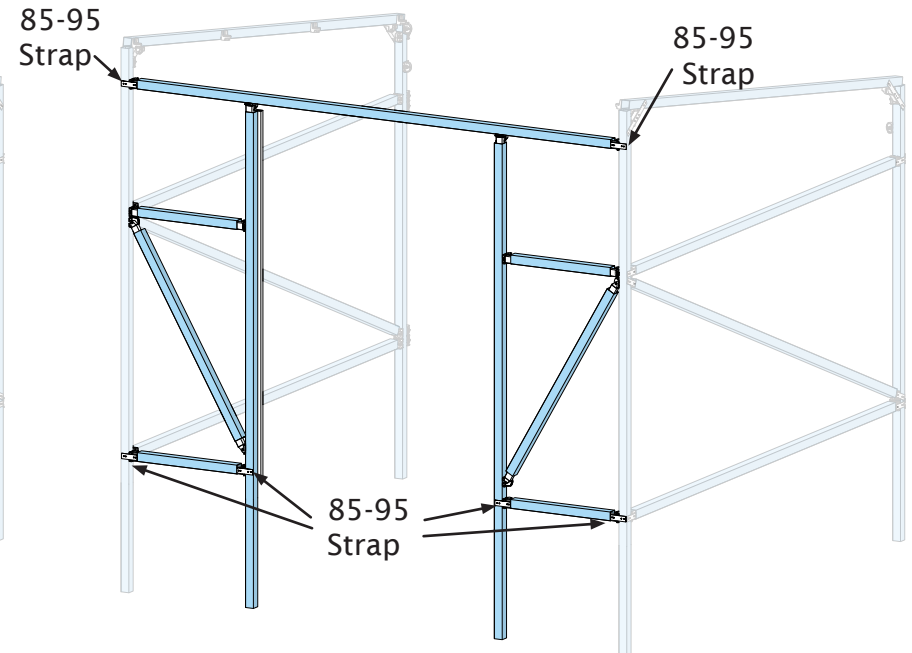
Step 3

Attach 2 rail items below



Step 4

Fix tension strapping to framing



Approximate time
required: 0.75 Hours

Assembly Sequence

'Classic Inspire'
3m x 4.5m x 2.45m Shed
Extension - Back

User Manual

Read in conjunction with
Kwiktech Build Guide and
Kwiktech Tips & Tricks

Designed by

kwiktech.

Engineered by

sbec. SCHMIDT
BENTLEY
ENGINEERING
CONSULTING

Rating: Region A

Rev 1.7

This Manual is the sole property of
Kwiktech Pty Ltd.
All rights are reserved.

This Manual is designed to be only
used with Kwiktech
produced products.

No part of this Manual or the
Kwiktech product design may be
copied or reproduced without the
consent of Kwiktech Pty Ltd.

Construction using Kwiktech
products may require planning
approval. Always contact your Local
Council for the most up-to-date
rules and regulations for your area.

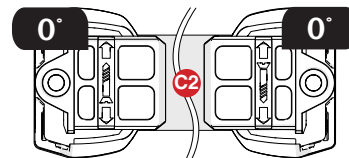
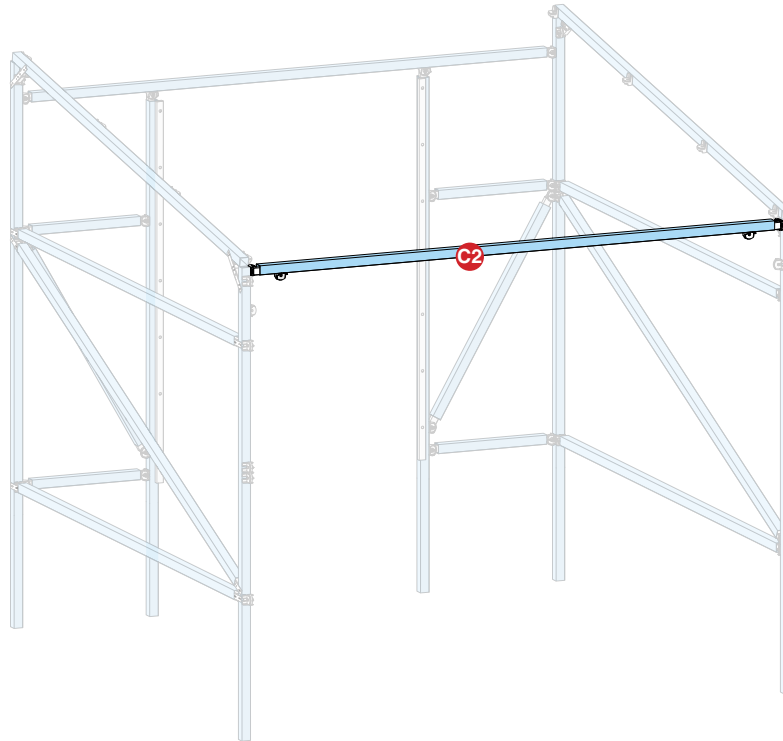
All dimensions are in millimeters
(mm)

www.kwiktech.com.au
© Kwiktech Pty Ltd 2022

Fix together with Back

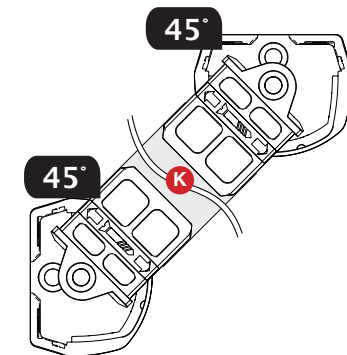
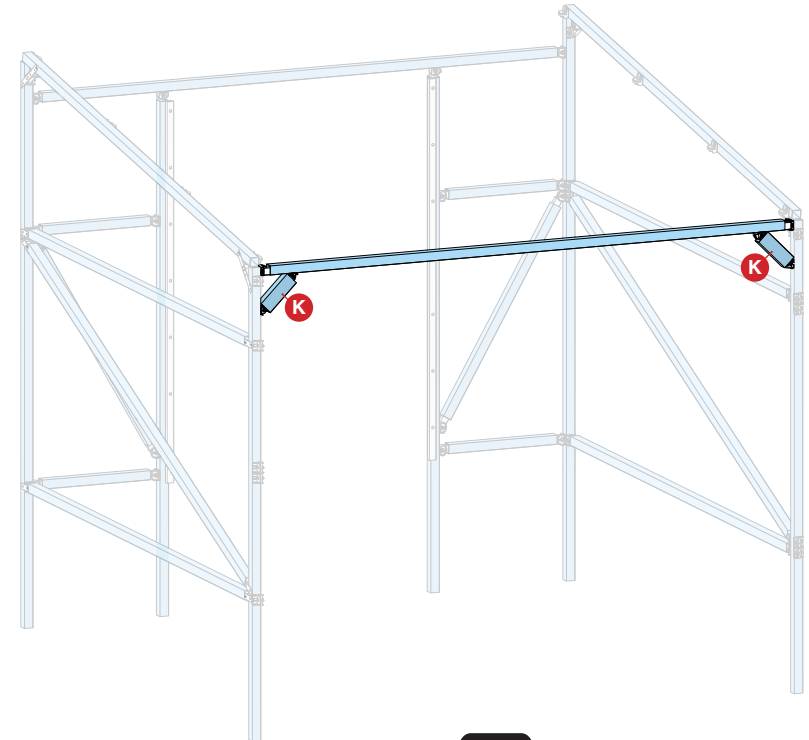
Step 1

Attach the Mid Brace



Step 2

Attach the 2 rail items below



Approximate time
required: 0.25 Hours

Assembly Sequence

'Classic Inspire'

3m x 4.5m x 2.45m Shed

Extension - Back

User Manual

Read in conjunction with
Kwiktech Build Guide and
Kwiktech Tips & Tricks

Designed by

kwiktech.

Engineered by

sbec. SCHMIDT
BENTLEY
ENGINEERING
CONSULTING

Rating: Region A

Rev 1.7

This Manual is the sole property of
Kwiktech Pty Ltd.
All rights are reserved.

This Manual is designed to be only
used with Kwiktech
produced products.

No part of this Manual or the
Kwiktech product design may be
copied or reproduced without the
consent of Kwiktech Pty Ltd.

Construction using Kwiktech
products may require planning
approval. Always contact your Local
Council for the most up-to-date
rules and regulations for your area.

All dimensions are in millimeters
(mm)

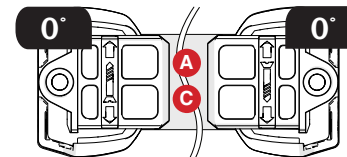
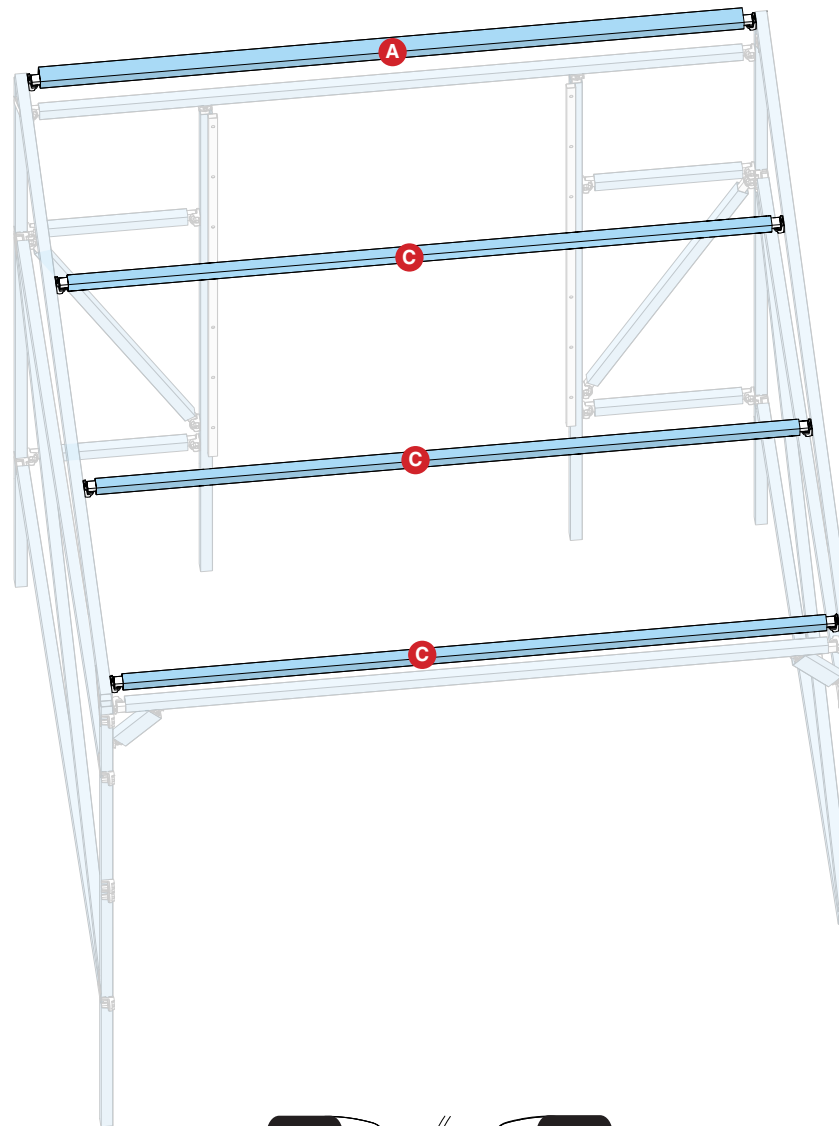
www.kwiktech.com.au
© Kwiktech Pty Ltd 2022

Approximate time
required: 0.25 Hours

Tie square with Roof

Step 1

Attach 4 rail items below



Assembly Sequence

'Classic Inspire'
3m x 4.5m x 2.45m Shed
Extension - Back

User Manual

Read in conjunction with
Kwiktech Build Guide and
Kwiktech Tips & Tricks

Designed by

kwiktech.

Engineered by

sbec. SCHMIDT
BENTLEY
ENGINEERING
CONSULTING

Rating: Region A

Rev 1.7

This Manual is the sole property of
Kwiktech Pty Ltd.
All rights are reserved.

This Manual is designed to be only
used with Kwiktech
produced products.

No part of this Manual or the
Kwiktech product design may be
copied or reproduced without the
consent of Kwiktech Pty Ltd.

Construction using Kwiktech
products may require planning
approval. Always contact your Local
Council for the most up-to-date
rules and regulations for your area.

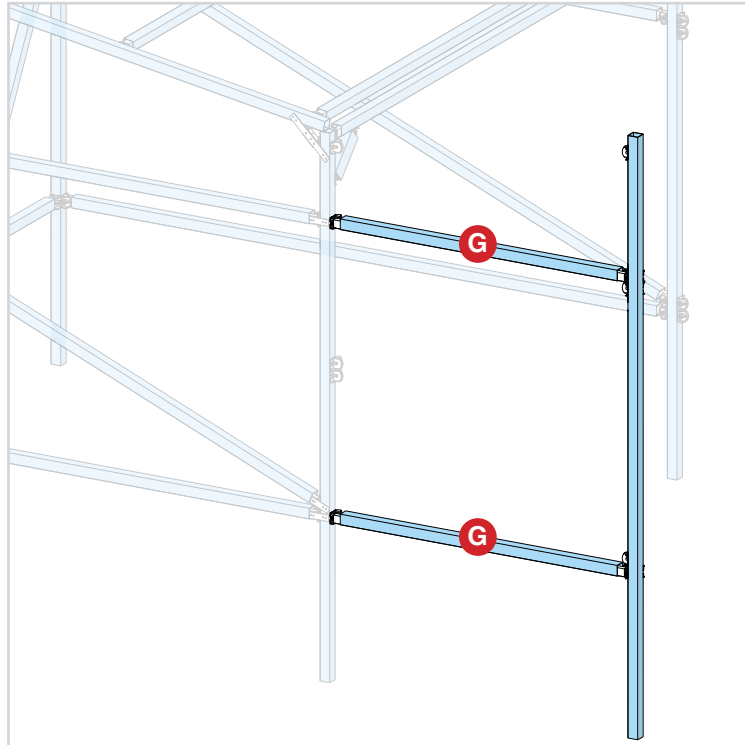
All dimensions are in millimeters
(mm)

www.kwiktech.com.au
© Kwiktech Pty Ltd 2022

Attach Back Extension Right Wall

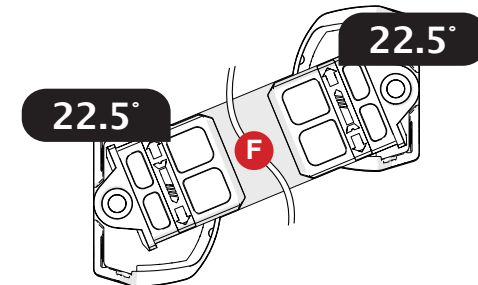
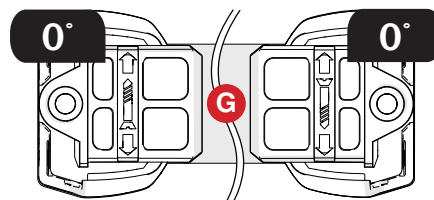
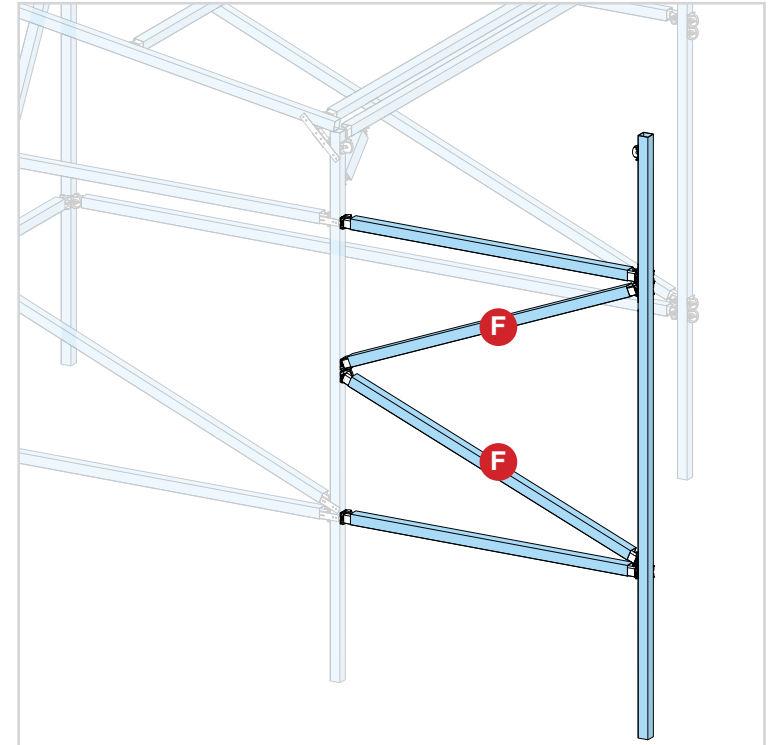
Step 1

Attach 2 rail items below



Step 2

Attach 2 rail items below



Approximate time
required: 0.5 Hours

Assembly Sequence

'Classic Inspire'

3m x 4.5m x 2.45m Shed
Extension - Back

User Manual

Read in conjunction with
Kwiktech Build Guide and
Kwiktech Tips & Tricks

Designed by

kwiktech.

Engineered by

sbec. SCHMIDT
BENTLEY
ENGINEERING
CONSULTING

Rating: Region A

Rev 1.7

This Manual is the sole property of
Kwiktech Pty Ltd.
All rights are reserved.

This Manual is designed to be only
used with Kwiktech
produced products.

No part of this Manual or the
Kwiktech product design may be
copied or reproduced without the
consent of Kwiktech Pty Ltd.

Construction using Kwiktech
products may require planning
approval. Always contact your Local
Council for the most up-to-date
rules and regulations for your area.

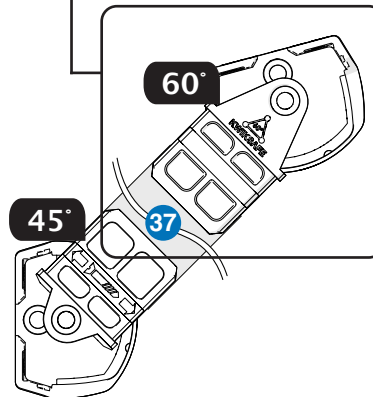
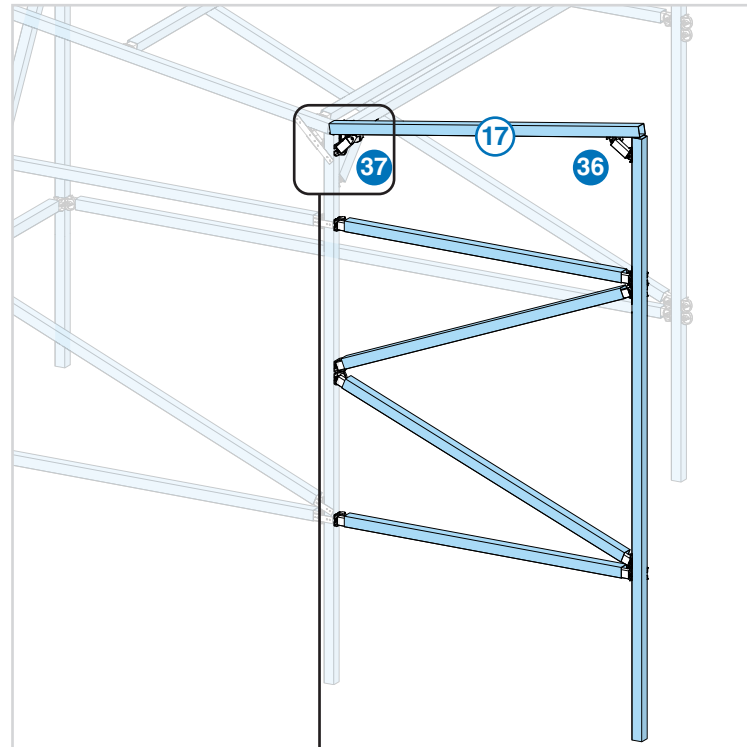
All dimensions are in millimeters
(mm)

www.kwiktech.com.au
© Kwiktech Pty Ltd 2022

Attach Back Extension Right Wall

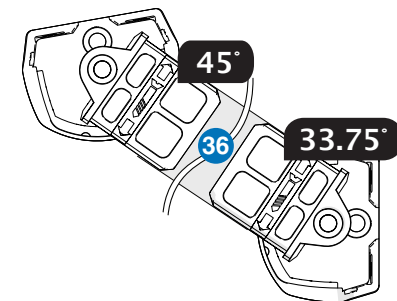
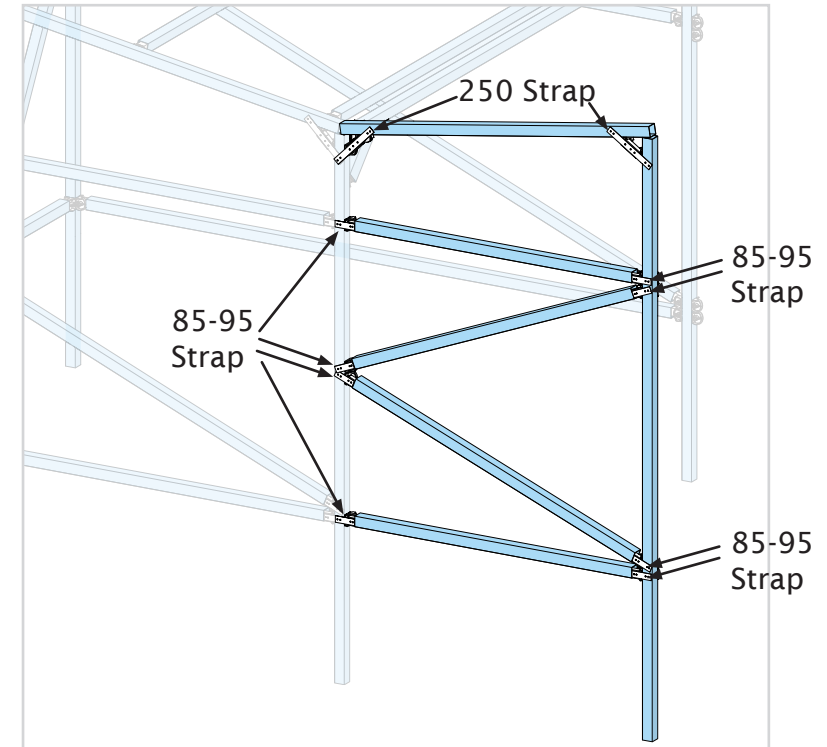
Step 3

Attach the 3 rail items below



Step 4

Fix tension strapping to framing



Approximate time
required: 0.75 Hours

Assembly Sequence

'Classic Inspire'

3m x 4.5m x 2.45m Shed
Extension - Back

User Manual

Read in conjunction with
Kwiktech Build Guide and
Kwiktech Tips & Tricks

Designed by

kwiktech.

Engineered by

sbec. SCHMIDT
BENTLEY
ENGINEERING
CONSULTING

Rating: Region A

Rev 1.7

This Manual is the sole property of
Kwiktech Pty Ltd.
All rights are reserved.

This Manual is designed to be only
used with Kwiktech
produced products.

No part of this Manual or the
Kwiktech product design may be
copied or reproduced without the
consent of Kwiktech Pty Ltd.

Construction using Kwiktech
products may require planning
approval. Always contact your Local
Council for the most up-to-date
rules and regulations for your area.

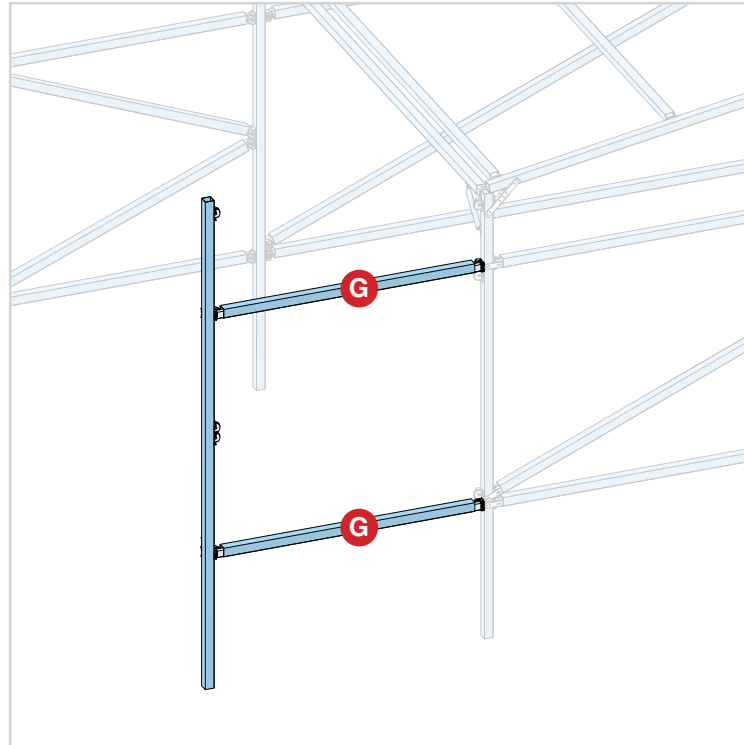
All dimensions are in millimeters
(mm)

www.kwiktech.com.au
© Kwiktech Pty Ltd 2022

Attach Back Extension Left Wall

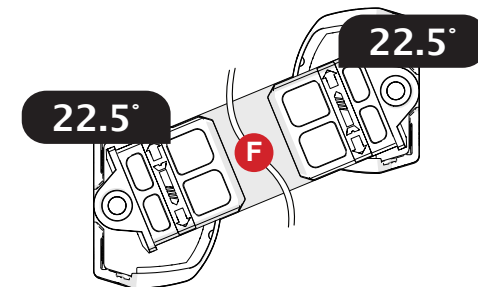
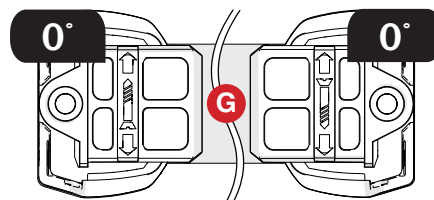
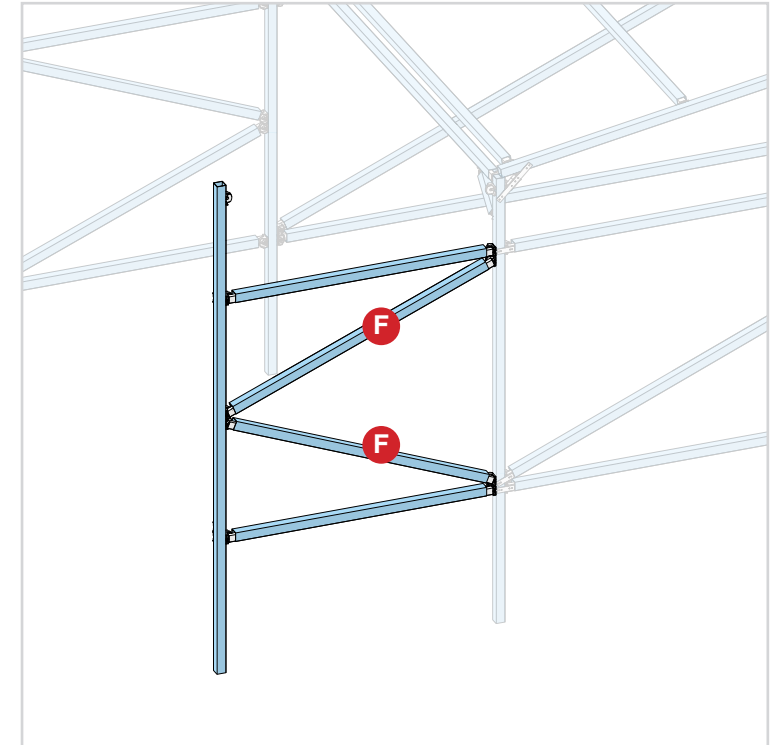
Step 1

Attach 2 rail items below



Step 2

Attach 2 rail items below



Approximate time
required: 0.5 Hours

Assembly Sequence

'Classic Inspire'

3m x 4.5m x 2.45m Shed
Extension - Back

User Manual

Read in conjunction with
Kwiktech Build Guide and
Kwiktech Tips & Tricks

Designed by

kwiktech.

Engineered by

sbec. SCHMIDT
BENTLEY
ENGINEERING
CONSULTING

Rating: Region A

Rev 1.7

This Manual is the sole property of
Kwiktech Pty Ltd.
All rights are reserved.

This Manual is designed to be only
used with Kwiktech
produced products.

No part of this Manual or the
Kwiktech product design may be
copied or reproduced without the
consent of Kwiktech Pty Ltd.

Construction using Kwiktech
products may require planning
approval. Always contact your Local
Council for the most up-to-date
rules and regulations for your area.

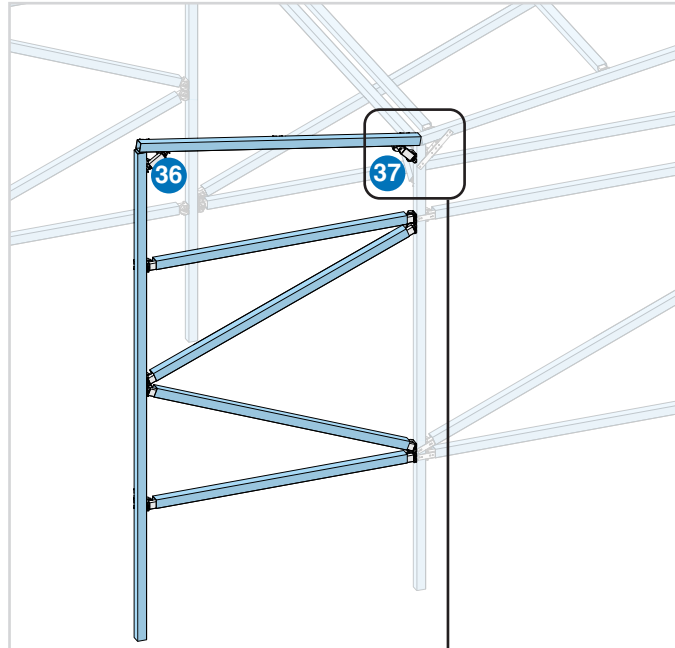
All dimensions are in millimeters
(mm)

www.kwiktech.com.au
© Kwiktech Pty Ltd 2022

Attach Back Extension Left Wall

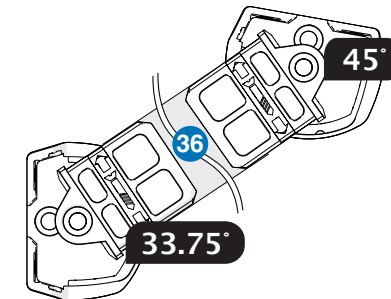
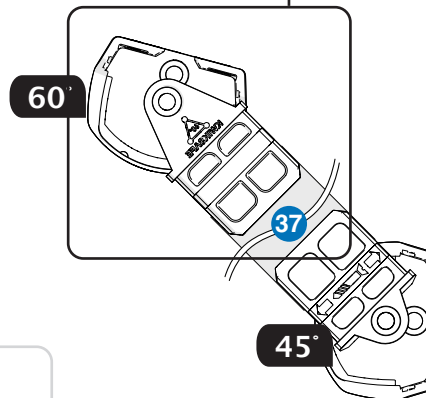
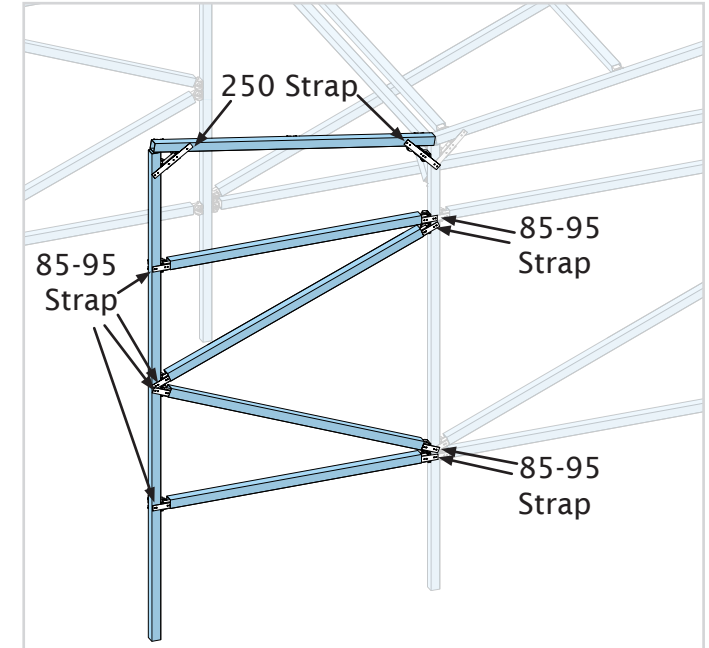
Step 3

Attach the 3 rail items below



Step 4

Fix tension strapping to framing



Approximate time
required: 0.75 Hours

Assembly Sequence

'Classic Inspire'

3m x 4.5m x 2.45m Shed
Extension - Back

User Manual

Read in conjunction with
Kwiktech Build Guide and
Kwiktech Tips & Tricks

Designed by

kwiktech.

Engineered by

sbec. SCHMIDT
BENTLEY
ENGINEERING
CONSULTING

Rating: Region A

Rev 1.7

This Manual is the sole property of
Kwiktech Pty Ltd.
All rights are reserved.

This Manual is designed to be only
used with Kwiktech
produced products.

No part of this Manual or the
Kwiktech product design may be
copied or reproduced without the
consent of Kwiktech Pty Ltd.

Construction using Kwiktech
products may require planning
approval. Always contact your Local
Council for the most up-to-date
rules and regulations for your area.

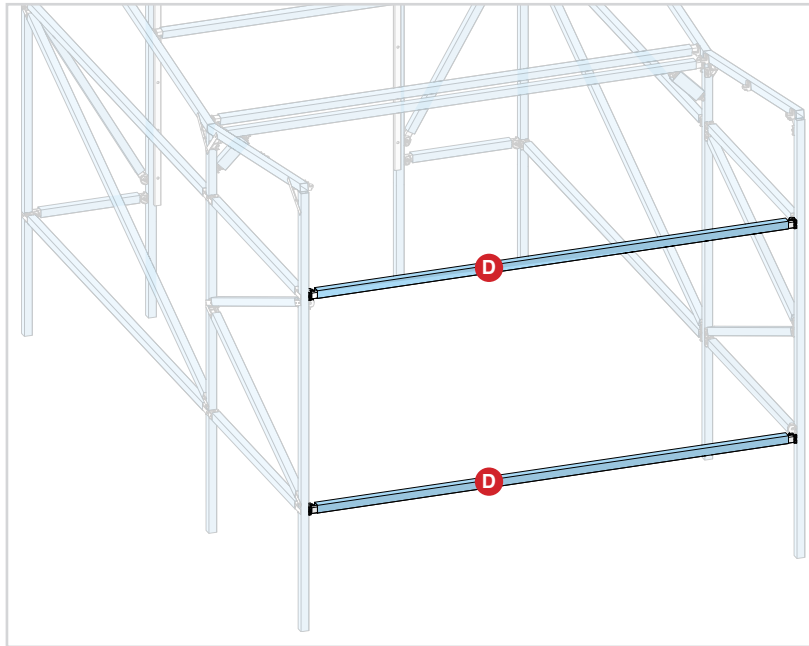
All dimensions are in millimeters
(mm)

www.kwiktech.com.au
© Kwiktech Pty Ltd 2022

Fix Extension together with Back

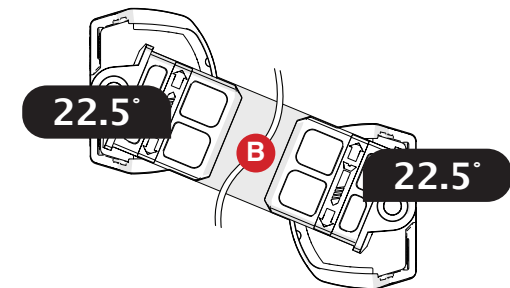
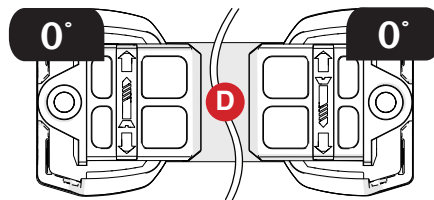
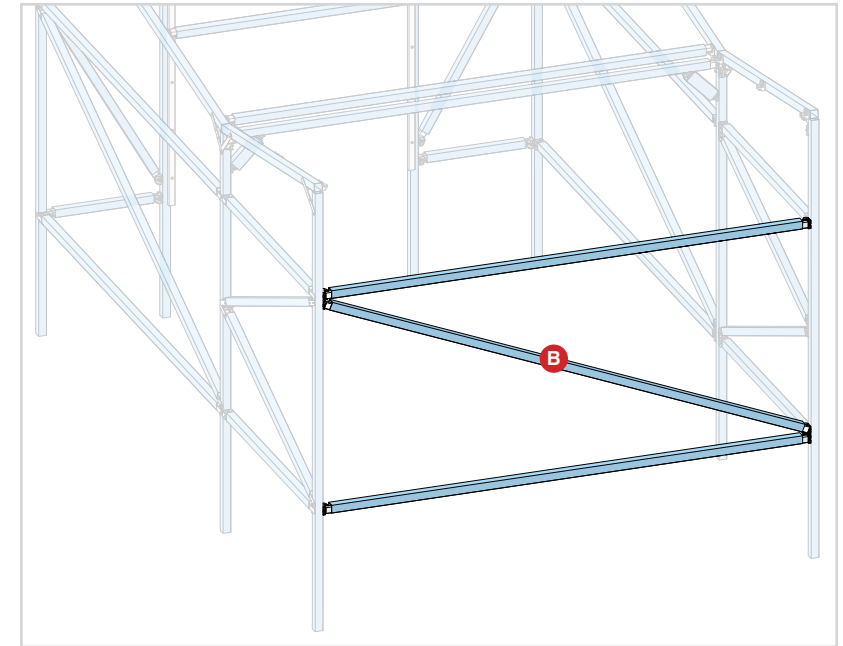
Step 1

Attach the 2 rail items below



Step 2

Attach the rail item below



Approximate time
required: 0.5 Hours

Assembly Sequence

'Classic Inspire'

3m x 4.5m x 2.45m Shed

Extension - Back

User Manual

Read in conjunction with
Kwiktech Build Guide and
Kwiktech Tips & Tricks

Designed by

kwiktech.

Engineered by

sbec. SCHMIDT
BENTLEY
ENGINEERING
CONSULTING

Rating: Region A

Rev 1.7

This Manual is the sole property of
Kwiktech Pty Ltd.
All rights are reserved.

This Manual is designed to be only
used with Kwiktech
produced products.

No part of this Manual or the
Kwiktech product design may be
copied or reproduced without the
consent of Kwiktech Pty Ltd.

Construction using Kwiktech
products may require planning
approval. Always contact your Local
Council for the most up-to-date
rules and regulations for your area.

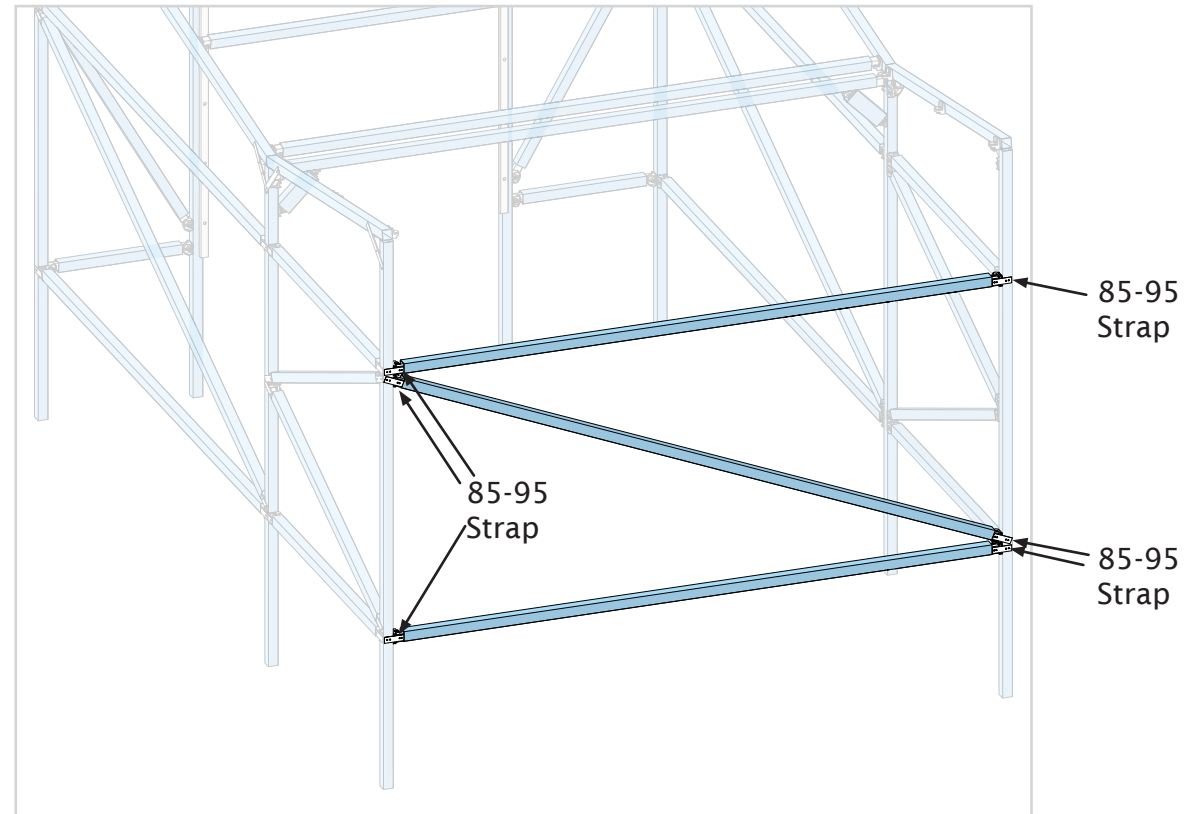
All dimensions are in millimeters
(mm)

www.kwiktech.com.au
© Kwiktech Pty Ltd 2022

Fix Extension together with Back

Step 3

Fix tension strapping to framing



Approximate time
required: 0.75 Hours

Assembly Sequence

'Classic Inspire'

3m x 4.5m x 2.45m Shed

Extension - Back

User Manual

Read in conjunction with
Kwiktech Build Guide and
Kwiktech Tips & Tricks

Designed by

kwiktech.

Engineered by

sbec. SCHMIDT
BENTLEY
ENGINEERING
CONSULTING

Rating: Region A

Rev 1.7

This Manual is the sole property of
Kwiktech Pty Ltd.
All rights are reserved.

This Manual is designed to be only
used with Kwiktech
produced products.

No part of this Manual or the
Kwiktech product design may be
copied or reproduced without the
consent of Kwiktech Pty Ltd.

Construction using Kwiktech
products may require planning
approval. Always contact your Local
Council for the most up-to-date
rules and regulations for your area.

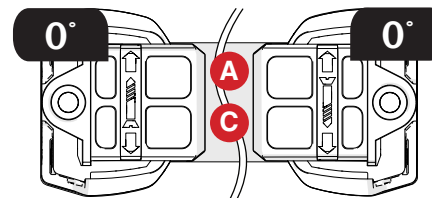
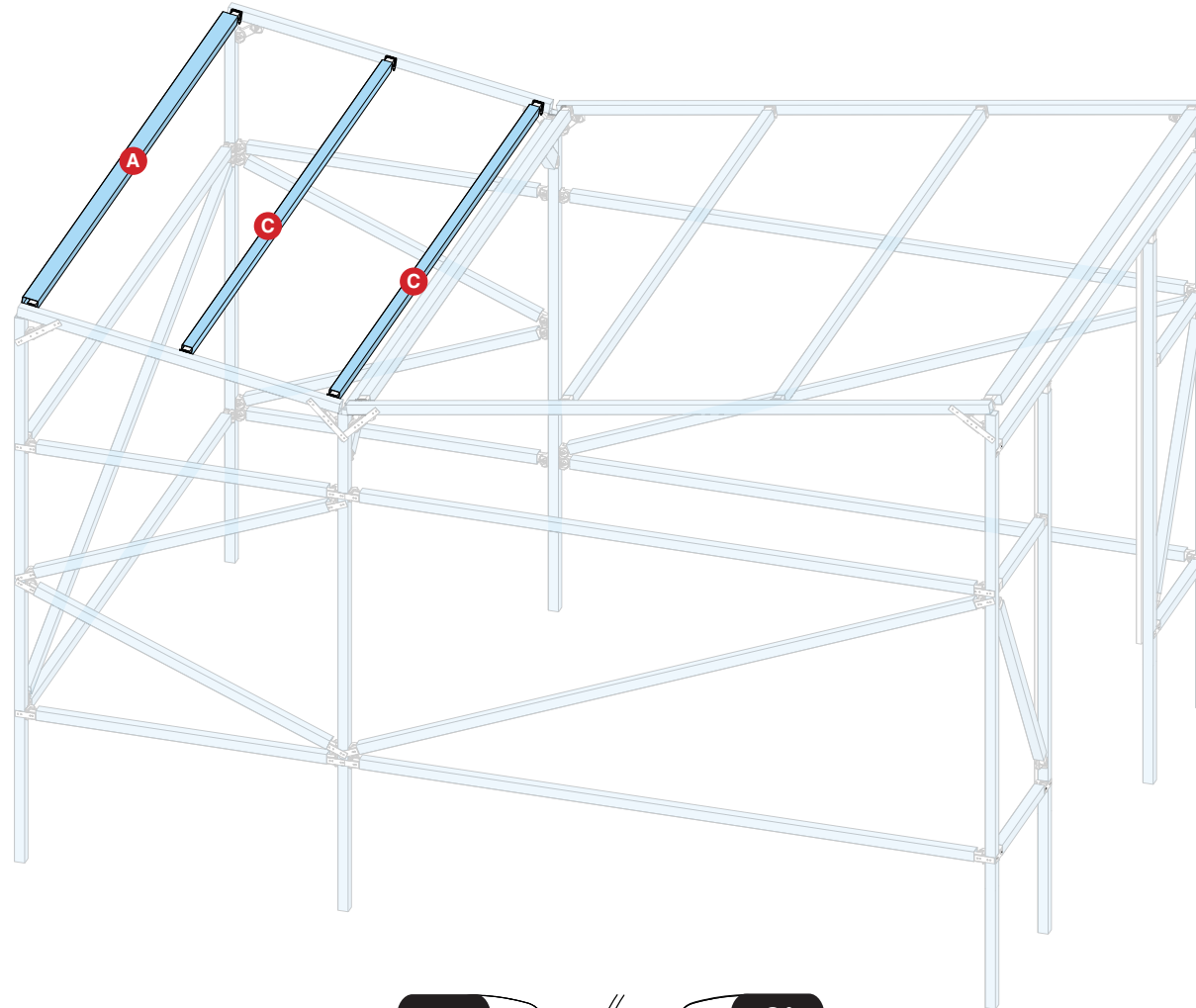
All dimensions are in millimeters
(mm)

www.kwiktech.com.au
© Kwiktech Pty Ltd 2022

Tie square with Roof

Step 1

Attach 3 rail items below



Approximate time
required: 0.25 Hours

Temporary Corner Stiffeners

'Classic Inspire'
3m x 4.5m x 2.45m Shed
Extension - Back

User Manual

Read in conjunction with
Kwiktech Build Guide and
Kwiktech Tips & Tricks

Designed by



Engineered by



Rating: Region A

Rev 1.7

This Manual is the sole property of
Kwiktech Pty Ltd.
All rights are reserved.

This Manual is designed to be only
used with Kwiktech
produced products.

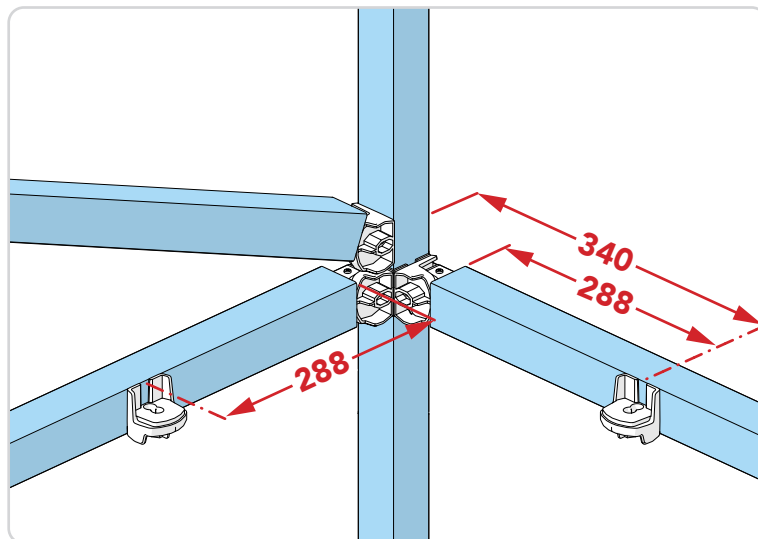
No part of this Manual or the
Kwiktech product design may be
copied or reproduced without the
consent of Kwiktech Pty Ltd.

Construction using Kwiktech
products may require planning
approval. Always contact your Local
Council for the most up-to-date
rules and regulations for your area.

All dimensions are in millimeters
(mm)

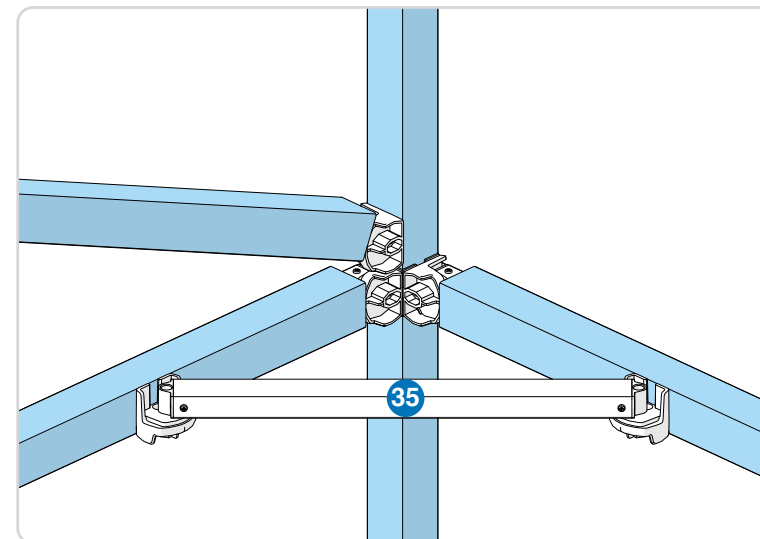
www.kwiktech.com.au
© Kwiktech Pty Ltd 2022

Optional Bracing if DIY
frame kit was purchased.

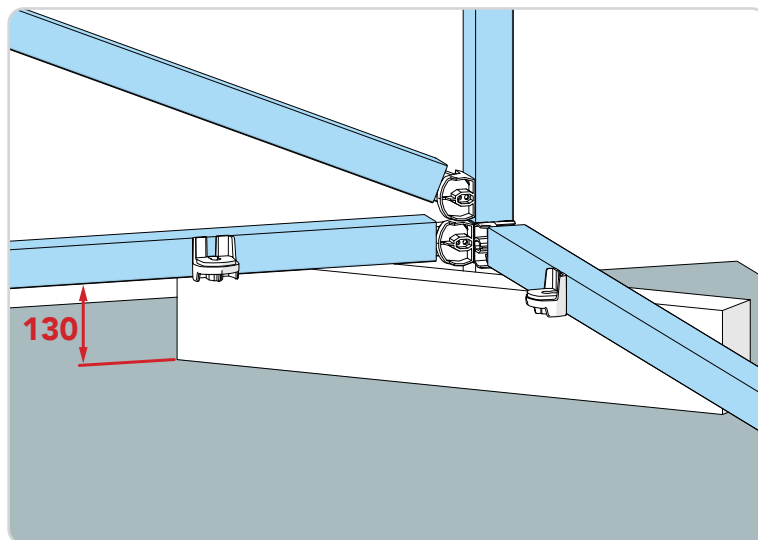


Fix 2 Universal connectors in the positions shown in all 4 corners.

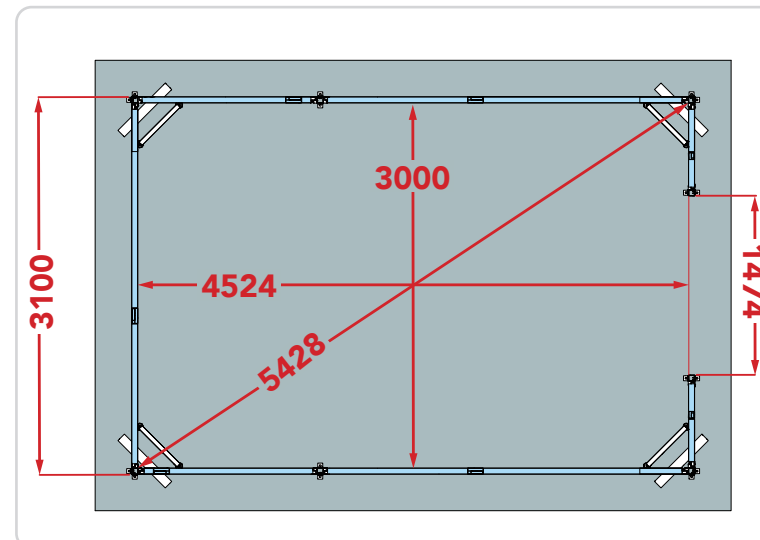
Optional temporary base corner stiffeners



Fit Item 35 into the corners to tie shed square before ground fixing. Once secured to ground, remove these braces & the universal connectors.



Pack approximately 130mm and shim as required to achieve a level shed. Use a spirit level to check horizontal members.



Push or pull shed corners as required to assist in fitting the corner bracing. Ensure dimensions match the ones stated above before fixing. Additional supports maybe required.

Approximate time
required: 0.5 Hours

Gutter

'Classic Inspire'
3m x 4.5m x 2.45m Shed
Extension - Back

User Manual

Read in conjunction with
Kwiktech Build Guide and
Kwiktech Tips & Tricks

Designed by

kwiktech.

Engineered by

sbec. SCHMIDT
BENTLEY
ENGINEERING
CONSULTING

Rating: Region A

Rev 1.7

This Manual is the sole property of
Kwiktech Pty Ltd.
All rights are reserved.

This Manual is designed to be only
used with Kwiktech
produced products.

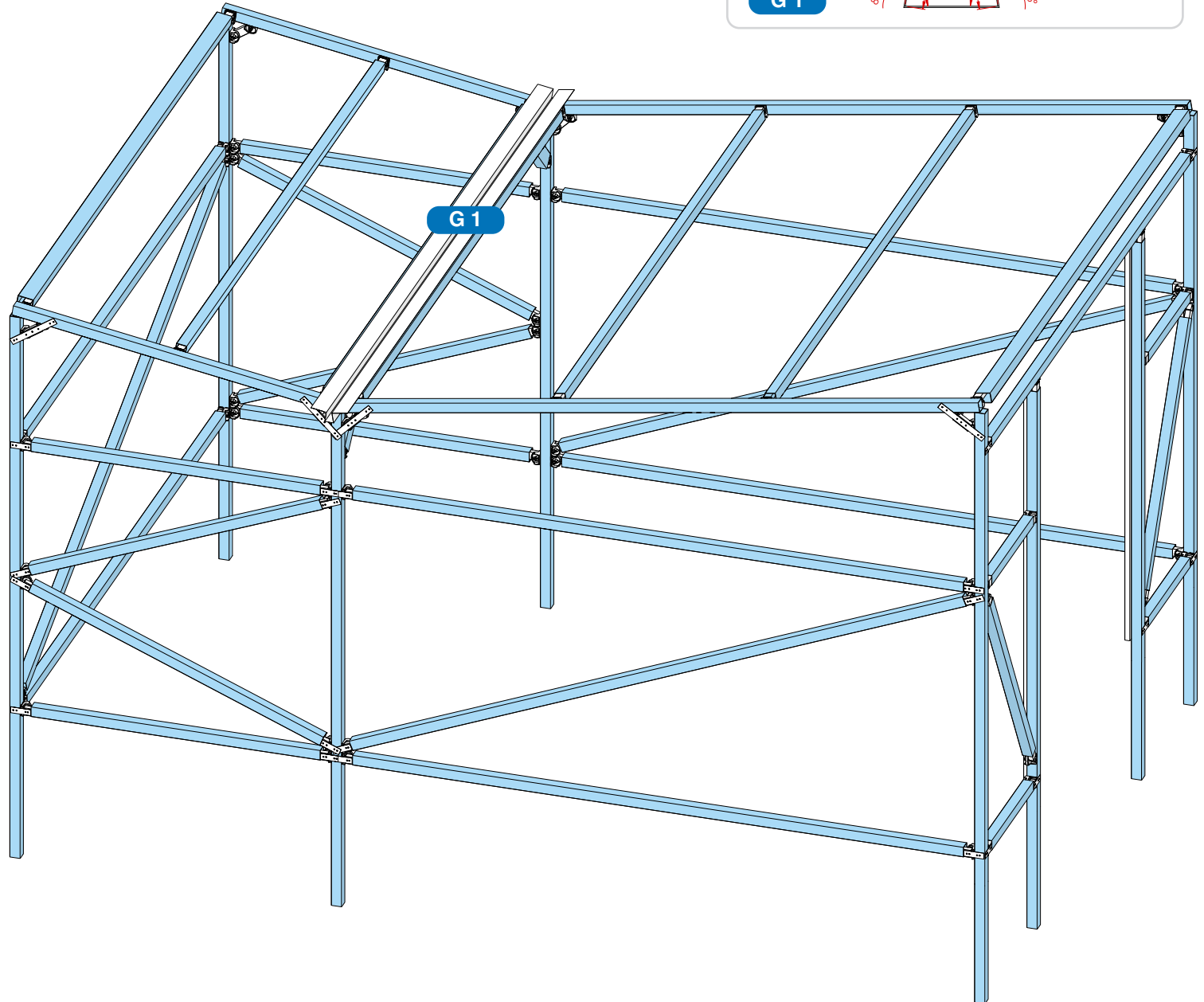
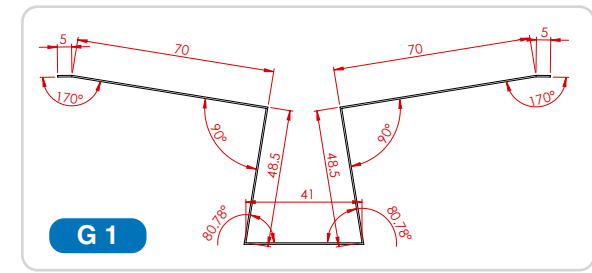
No part of this Manual or the
Kwiktech product design may be
copied or reproduced without the
consent of Kwiktech Pty Ltd.

Construction using Kwiktech
products may require planning
approval. Always contact your Local
Council for the most up-to-date
rules and regulations for your area.

All dimensions are in millimeters
(mm)

www.kwiktech.com.au
© Kwiktech Pty Ltd 2022

Slide **G 1** in from 1 end until it protrudes 105mm from the face of the steel at both ends. Gutter will be fixed in place when roof sheets are attached.



Flashing Types

'Classic Inspire'
3m x 4.5m x 2.45m Shed
Extension - Back

User Manual

Read in conjunction with
Kwiktech Build Guide and
Kwiktech Tips & Tricks

Designed by



Engineered by



Rating: Region A

Rev 1.7

This Manual is the sole property of
Kwiktech Pty Ltd.
All rights are reserved.

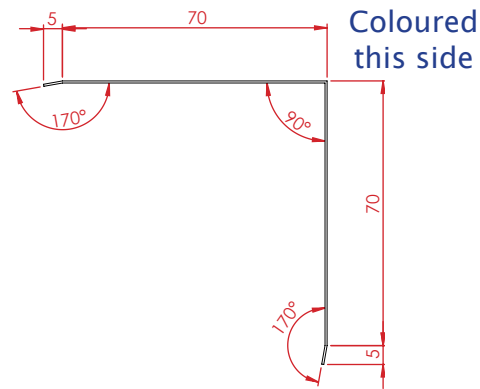
This Manual is designed to be only
used with Kwiktech
produced products.

No part of this Manual or the
Kwiktech product design may be
copied or reproduced without the
consent of Kwiktech Pty Ltd.

Construction using Kwiktech
products may require planning
approval. Always contact your Local
Council for the most up-to-date
rules and regulations for your area.

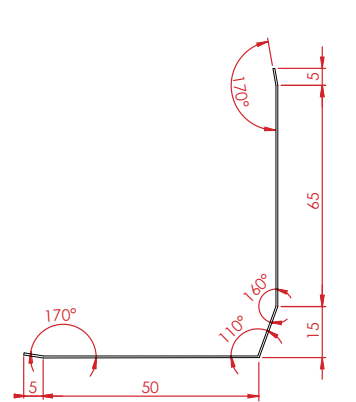
All dimensions are in millimeters
(mm)

www.kwiktech.com.au
© Kwiktech Pty Ltd 2022

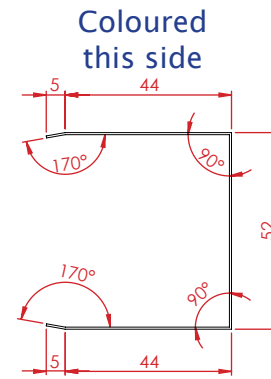


FL 1	FL 2	FL 3
KT-FLP-01	KT-FLP-01	KT-FLP-01
3170mm	3170mm	3135mm
0.42 BMT	0.42 BMT	0.42 BMT
QTY: 1	QTY: 1	QTY: 2

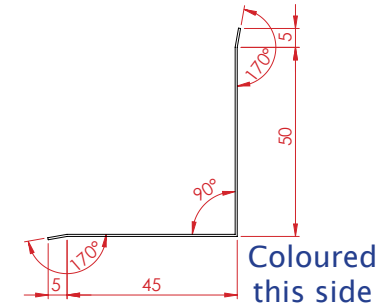
FL 4	FL 7	FL 8
KT-FLP-01	KT-FLP-01	KT-FLP-01
2450mm	1950mm	1590mm
0.42 BMT	0.42 BMT	0.42 BMT
QTY: 2	QTY: 2	QTY: 2



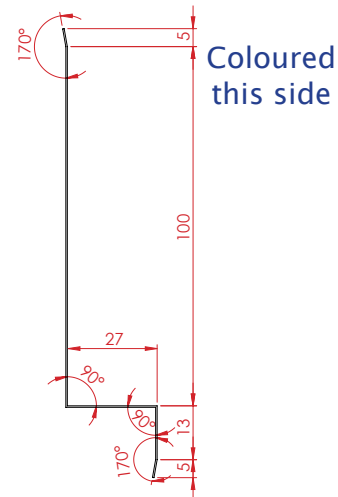
FL 5
KT-FLP-03
2172mm
0.42 BMT
QTY: 2



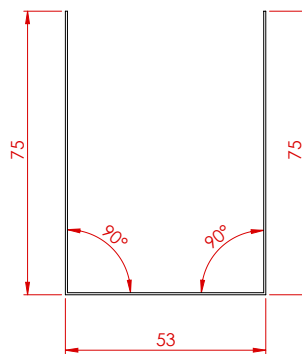
FL 6
KT-FLP-04
2165mm
0.42 BMT
QTY: 2



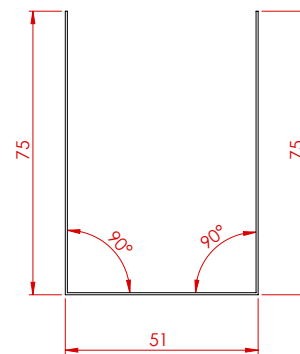
FL 9
KT-FLP-05
1590mm
0.42 BMT
QTY: 1



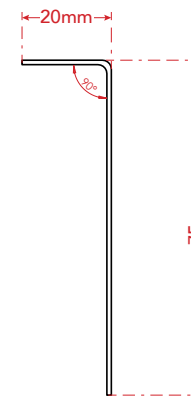
FL 10
KT-FLP-07
1518mm
0.42 BMT
QTY: 1



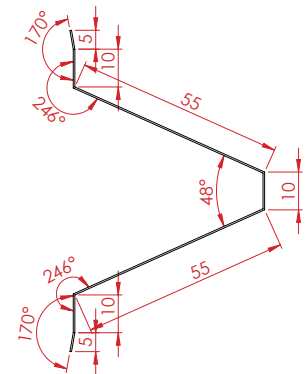
FL 11
KT-FLP-08
330mm
0.55 Galv
QTY: 2



FL 12
KT-FLP-09
250mm
0.55 Galv
QTY: 2



FL 13.1
KT-FLP-10
40mm
1.6 Galv
QTY: 1



FL 13.2
KT-FLP-06
40mm
1.2 Galv
QTY: 1

Internal Flashings

'Classic Inspire'
3m x 4.5m x 2.45m Shed
Extension - Back

User Manual

Read in conjunction with
Kwiktech Build Guide and
Kwiktech Tips & Tricks

Designed by



Engineered by



Rating: Region A

Rev 1.7

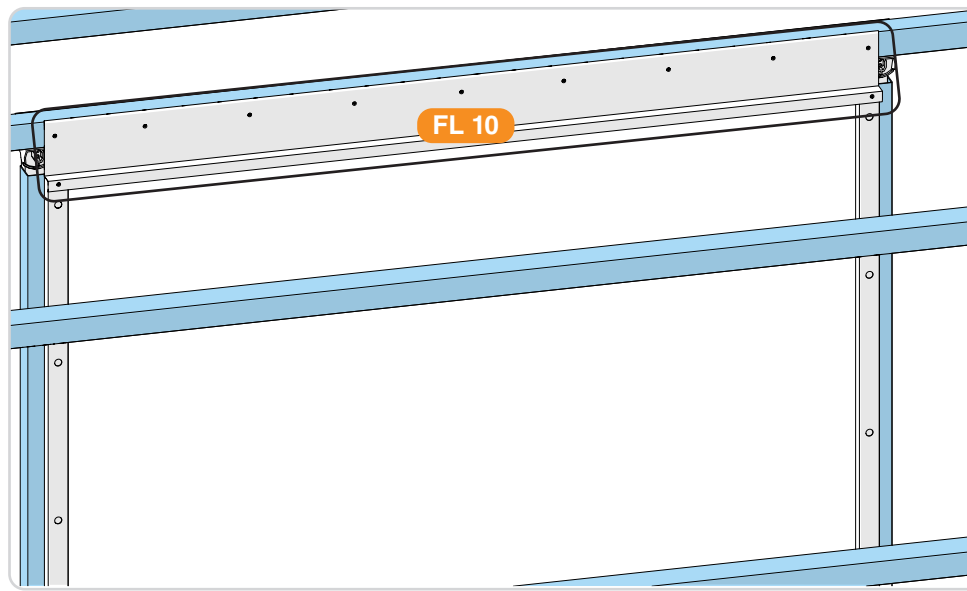
This Manual is the sole property of
Kwiktech Pty Ltd.
All rights are reserved.

This Manual is designed to be only
used with Kwiktech
produced products.

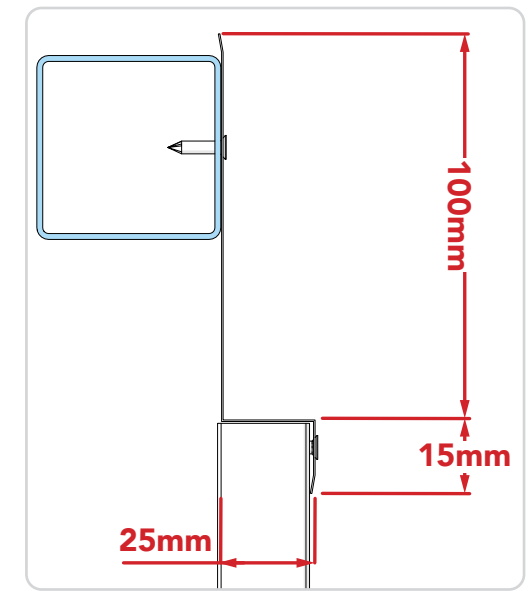
No part of this Manual or the
Kwiktech product design may be
copied or reproduced without the
consent of Kwiktech Pty Ltd.

Construction using Kwiktech
products may require planning
approval. Always contact your Local
Council for the most up-to-date
rules and regulations for your area.

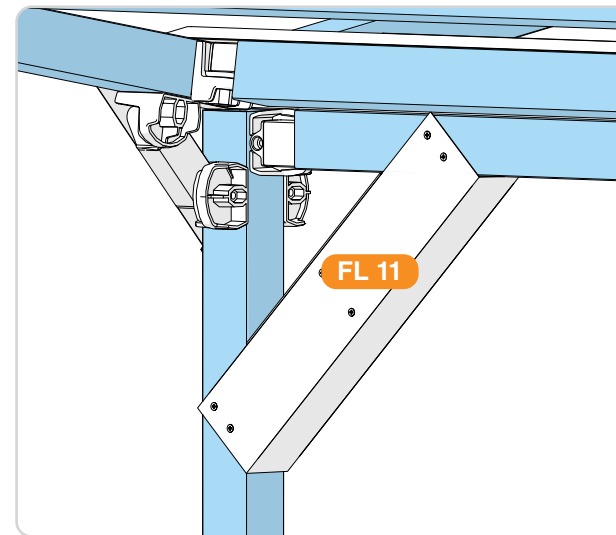
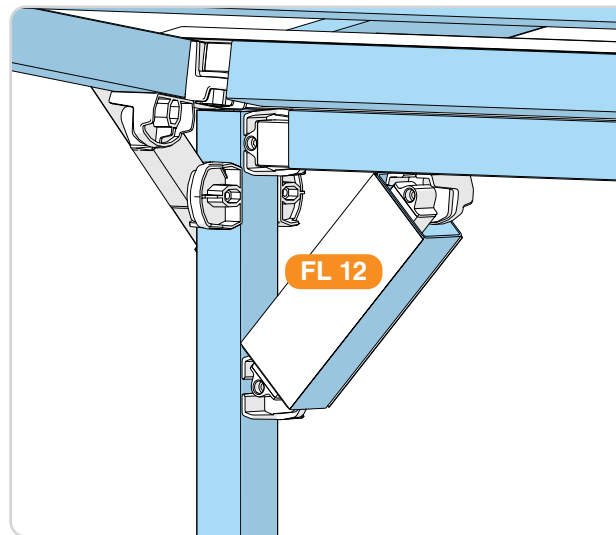
All dimensions are in millimeters
(mm)



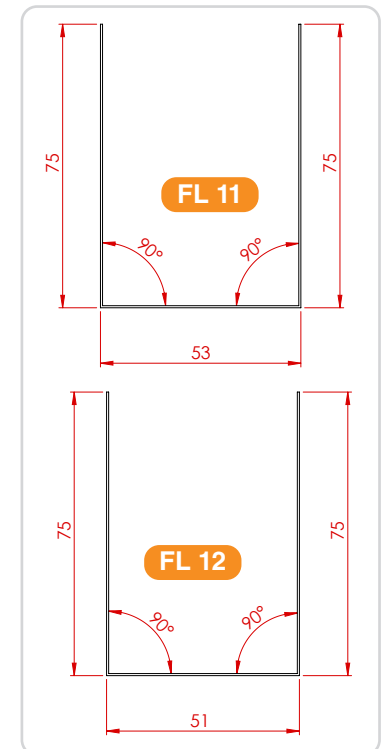
9 x 10x16mm Self-Drilling flat top screws used to fix **FL 10** to SHS frame. Screws evenly spaced. Ends of **FL 10** to be flush with outer face of door stoppers. Then fix to the door stoppers with 1 Self-Drilling flat top screw each end.



Flashing dimensions



Slip **FL 12** through the gap in the corner and position in place. Do the same for **FL 12**, fixing to the steel & **FL 11**. Do the same on the other corner brace.



Flashing dimensions

Approximate time
required: 1 Hour

Door Assembly

'Classic Inspire'
3m x 4.5m x 2.45m Shed
Extension - Back

User Manual

Read in conjunction with
Kwiktech Build Guide and
Kwiktech Tips & Tricks

Designed by

kwiktech.

Engineered by

sbec. SCHMIDT
BENTLEY
ENGINEERING
CONSULTING

Rating: Region A

Rev 1.7

This Manual is the sole property of
Kwiktech Pty Ltd.
All rights are reserved.

This Manual is designed to be only
used with Kwiktech
produced products.

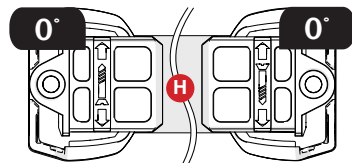
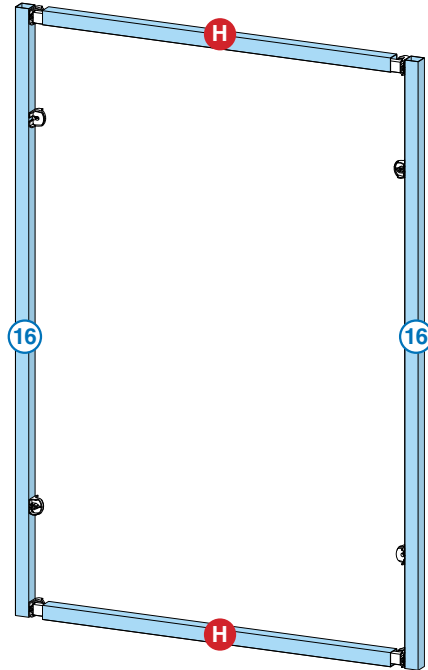
No part of this Manual or the
Kwiktech product design may be
copied or reproduced without the
consent of Kwiktech Pty Ltd.

Construction using Kwiktech
products may require planning
approval. Always contact your Local
Council for the most up-to-date
rules and regulations for your area.

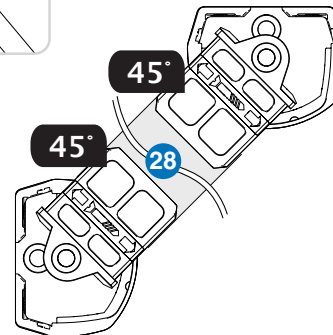
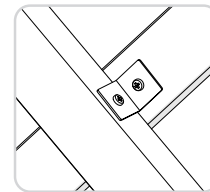
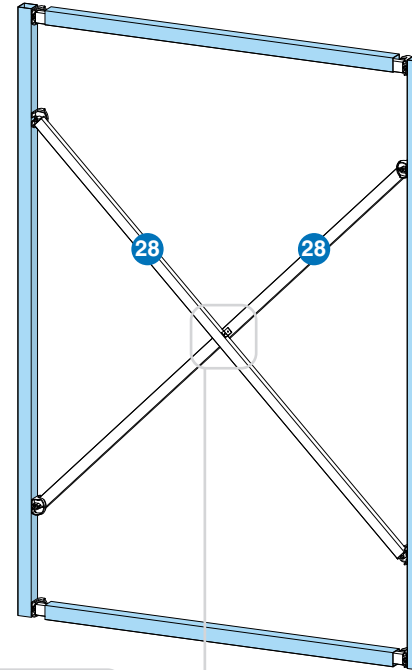
All dimensions are in millimeters
(mm)

www.kwiktech.com.au
© Kwiktech Pty Ltd 2022

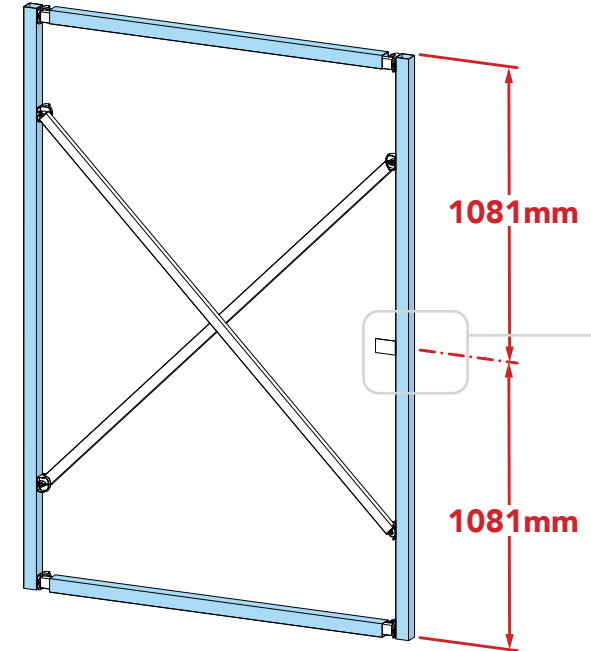
Step 1
Attach 2 rail items below



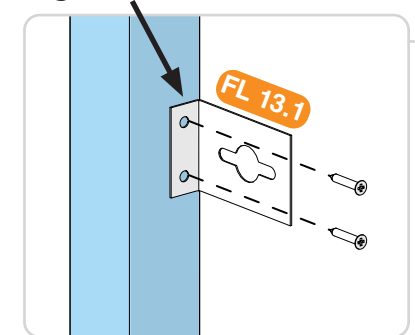
Step 2
Attach 2 rail items below



Step 3
Fix handle plate to post



Front faces flush. Fix with 2 x
wafer head screws. Recommend
pre-drilling and using clamp
when fixing bracket to frame



View from back of door

Approximate time
required: 0.5 Hours

Door Assembly

'Classic Inspire'
3m x 4.5m x 2.45m Shed
Extension - Back

User Manual

Read in conjunction with
Kwiktech Build Guide and
Kwiktech Tips & Tricks

Designed by

kwiktech.

Engineered by

sbec. SCHMIDT
BENTLEY
ENGINEERING
CONSULTING

Rating: Region A

Rev 1.7

This Manual is the sole property of
Kwiktech Pty Ltd.
All rights are reserved.

This Manual is designed to be only
used with Kwiktech
produced products.

No part of this Manual or the
Kwiktech product design may be
copied or reproduced without the
consent of Kwiktech Pty Ltd.

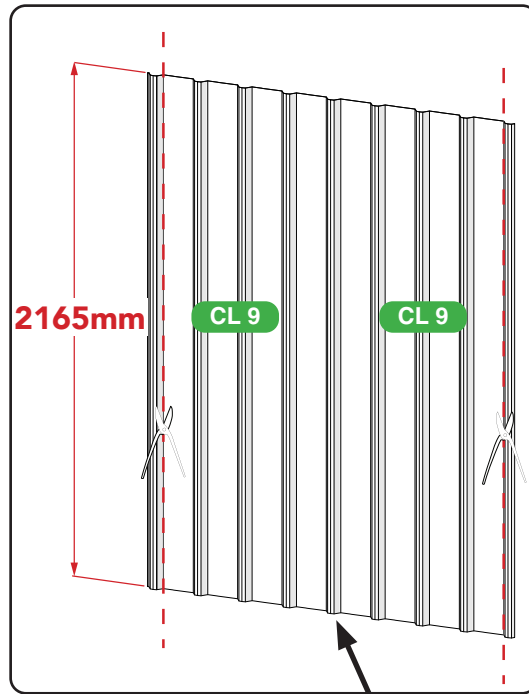
Construction using Kwiktech
products may require planning
approval. Always contact your Local
Council for the most up-to-date
rules and regulations for your area.

All dimensions are in millimeters
(mm)

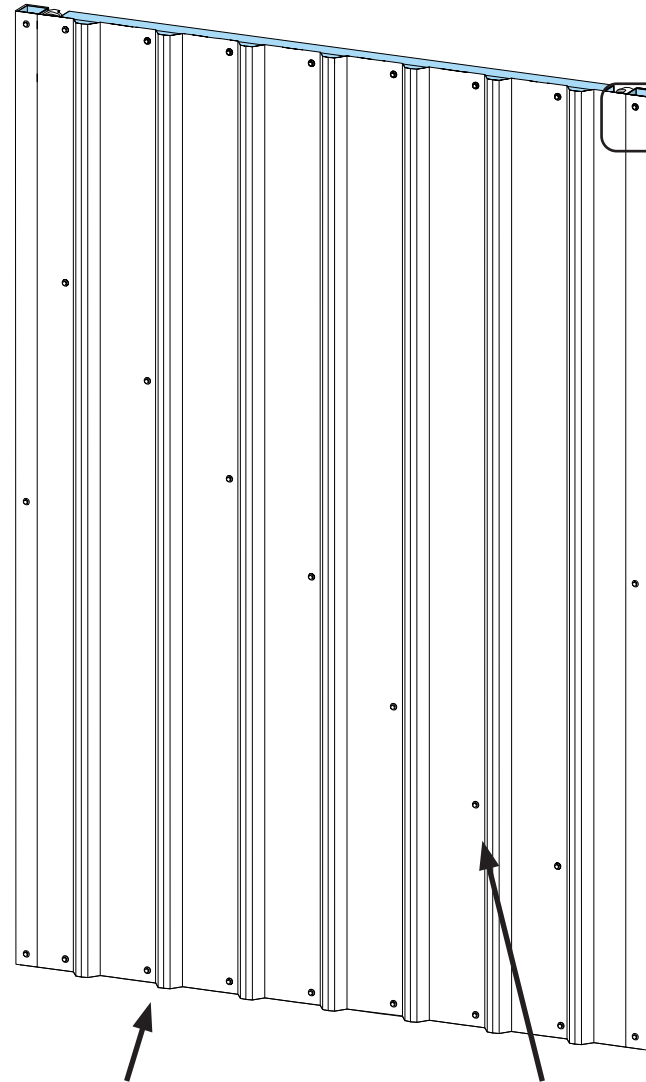
www.kwiktech.com.au
© Kwiktech Pty Ltd 2022

Step 4

Attach cladding & flashings

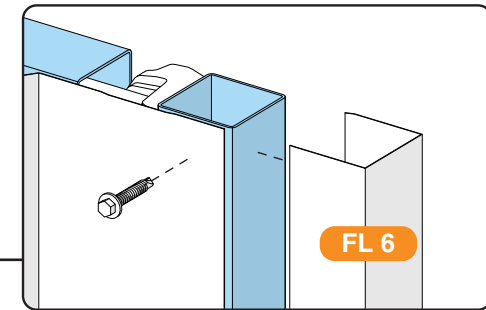


Door cladding to be overlapped in
the middle & the outer peak on both
sides to be trimmed off before fixing
onto the SHS door frame.



Fix cladding to steel
horizontally top & bot-
tom with 10gx16mm Tek
screws before every peak

Fix cladding to
diagonal brace with
10gx16mm Tek screws
before every peak



Cladding & flashing fixed to
SHS frame vertically via
6 x 10gx16mm Tek screws.

Approximate time
required: 0.5 Hours

Door Assembly

'Classic Inspire'
3m x 4.5m x 2.45m Shed
Extension - Back

User Manual

Read in conjunction with
Kwiktech Build Guide and
Kwiktech Tips & Tricks

Designed by

kwiktech.

Engineered by

sbec. SCHMIDT
BENTLEY
ENGINEERING
CONSULTING

Rating: Region A

Rev 1.7

This Manual is the sole property of
Kwiktech Pty Ltd.
All rights are reserved.

This Manual is designed to be only
used with Kwiktech
produced products.

No part of this Manual or the
Kwiktech product design may be
copied or reproduced without the
consent of Kwiktech Pty Ltd.

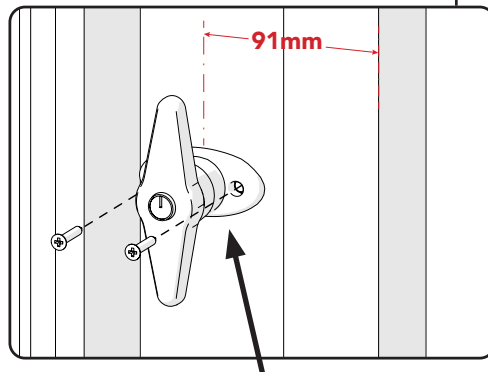
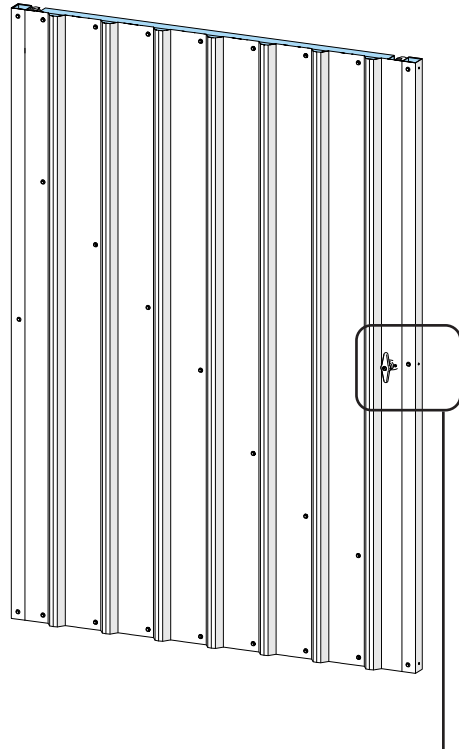
Construction using Kwiktech
products may require planning
approval. Always contact your Local
Council for the most up-to-date
rules and regulations for your area.

All dimensions are in millimeters
(mm)

www.kwiktech.com.au
© Kwiktech Pty Ltd 2022

Step 5

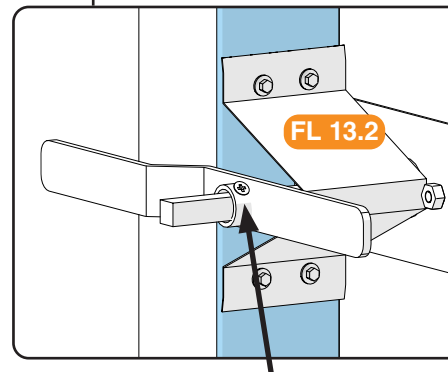
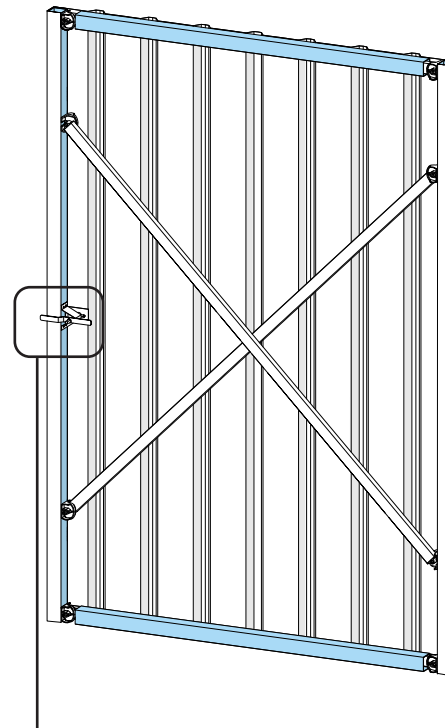
Fix handle through cladding
to plate



Fix as per manufactures
instructions

Step 6

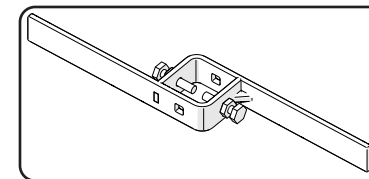
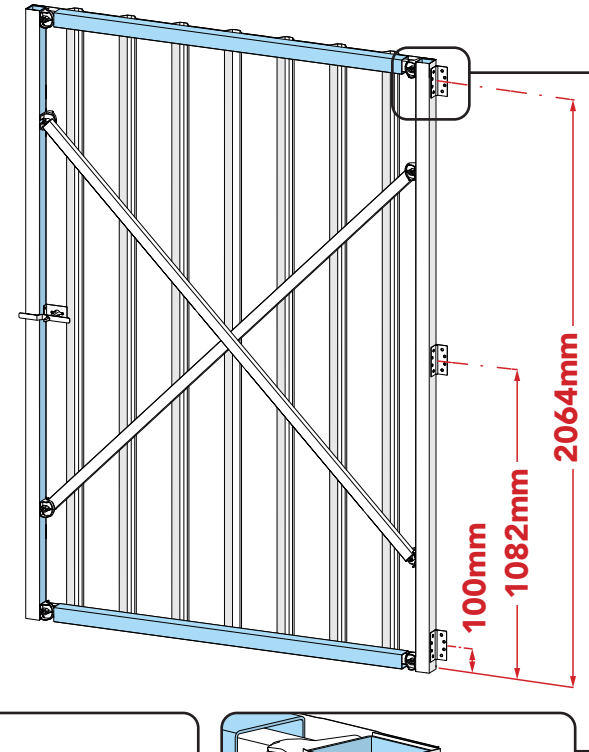
Loosely attach door latch & fit
FL 13.2 in place.



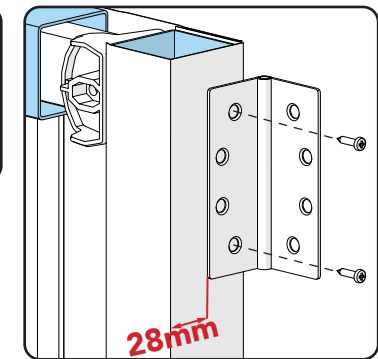
Tighten screw after door is
fitted to frame. Refer to page
38. Fix **FL 13.2** in place with 2
10gx16mm tek screws top &
bottom.

Step 7

Attach hinges to door post



Recommend using a
heavy duty inner lock,
such as the one
pictured above.



Fix hinges in place
with 2 x wafer
head screws

Approximate time
required: 0.75 Hours

Cladding

'Classic Inspire'
3m x 4.5m x 2.45m Shed
Extension - Back

User Manual

Read in conjunction with
Kwiktech Build Guide and
Kwiktech Tips & Tricks

Designed by



Engineered by



Rating: Region A

Rev 1.7

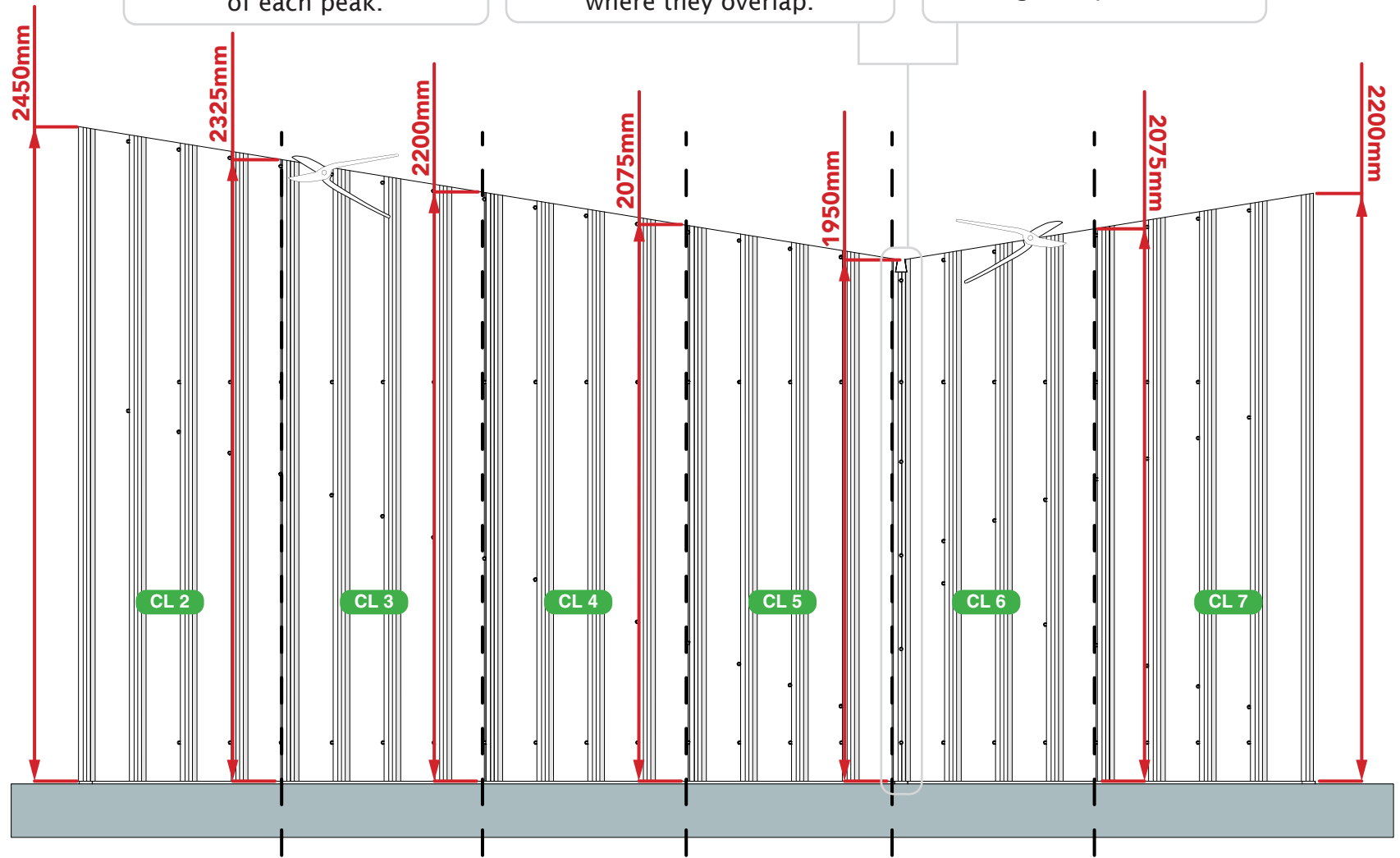
This Manual is the sole property of
Kwiktech Pty Ltd.
All rights are reserved.

This Manual is designed to be only
used with Kwiktech
produced products.

No part of this Manual or the
Kwiktech product design may be
copied or reproduced without the
consent of Kwiktech Pty Ltd.

Construction using Kwiktech
products may require planning
approval. Always contact your Local
Council for the most up-to-date
rules and regulations for your area.

All dimensions are in millimeters
(mm)



10g x 16mm Tek screws used to fix cladding to SHS frame. Screws on one side of each peak.

Note: 6 x 12g x 53mm tek screws used to fix cladding to central brace through peaks of cladding where they overlap.

Note: Cladding will need to be notched around where the gutter protrudes.

Left & Right Walls

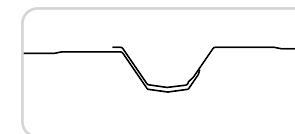
Note: CLD2 - CLD7 need to be trimmed to suit slope of roof



Under peak
always on the **left** side
of each sheet when
fixing to framework.



Over peak
always on the **right** side
of each sheet when
fixing to framework.



Peak Connection

Approximate time
required: 2 Hours

Cladding

'Classic Inspire'
3m x 4.5m x 2.45m Shed
Extension - Back

User Manual

Read in conjunction with
Kwiktech Build Guide and
Kwiktech Tips & Tricks

Designed by

kwiktech.

Engineered by

sbec. SCHMIDT
BENTLEY
ENGINEERING
CONSULTING

Rating: Region A

Rev 1.7

This Manual is the sole property of
Kwiktech Pty Ltd.
All rights are reserved.

This Manual is designed to be only
used with Kwiktech
produced products.

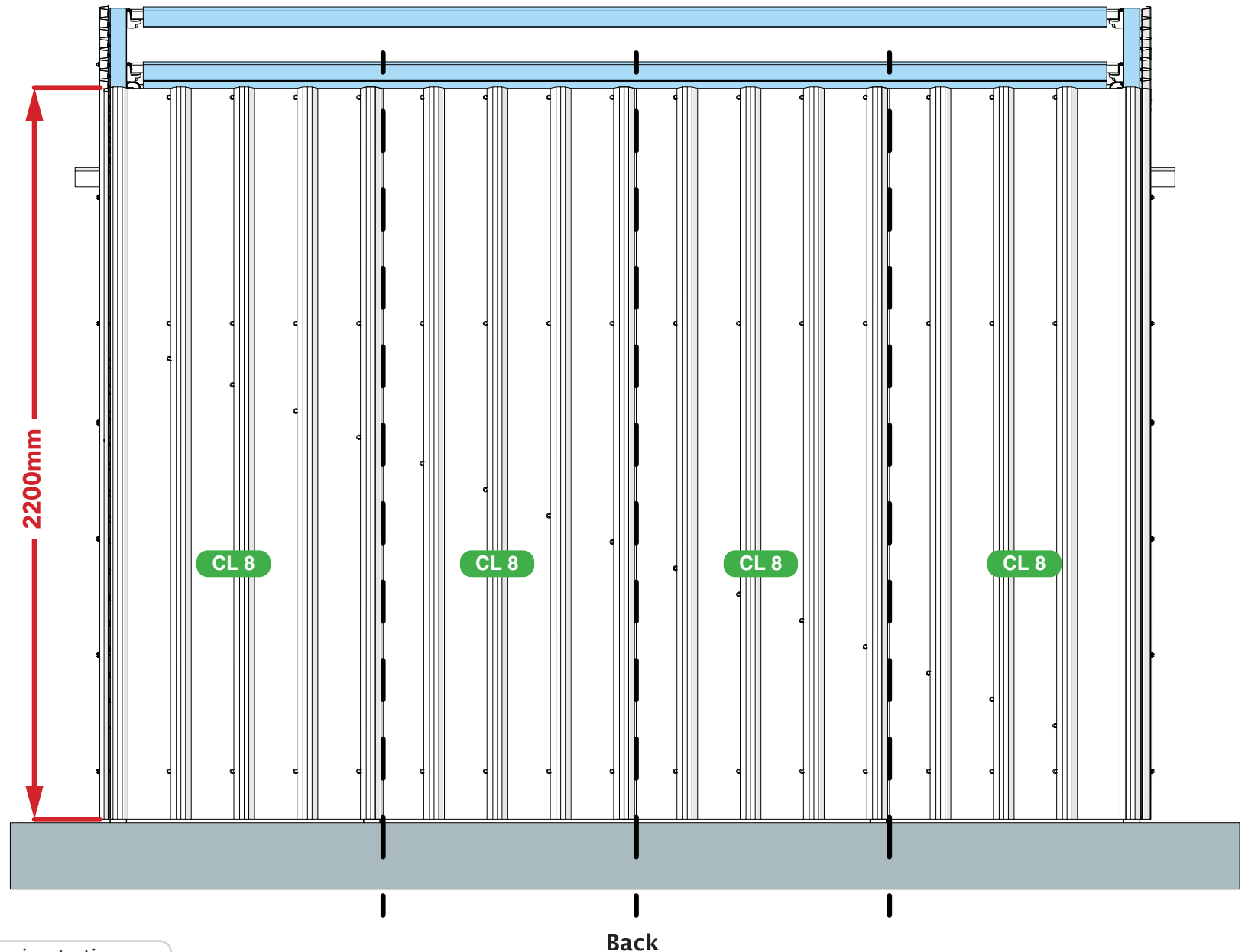
No part of this Manual or the
Kwiktech product design may be
copied or reproduced without the
consent of Kwiktech Pty Ltd.

Construction using Kwiktech
products may require planning
approval. Always contact your Local
Council for the most up-to-date
rules and regulations for your area.

All dimensions are in millimeters
(mm)

www.kwiktech.com.au
© Kwiktech Pty Ltd 2022

10gx16mm Tek screws used
to fix cladding to SHS frame.
Screws on one side
of each peak.



Approximate time
required: 1 Hours

Cladding

'Classic Inspire'
3m x 4.5m x 2.45m Shed
Extension - Back

User Manual

Read in conjunction with
Kwiktech Build Guide and
Kwiktech Tips & Tricks

Designed by

kwiktech.

Engineered by

sbec. SCHMIDT
BENTLEY
ENGINEERING
CONSULTING

Rating: Region A

Rev 1.7

This Manual is the sole property of
Kwiktech Pty Ltd.
All rights are reserved.

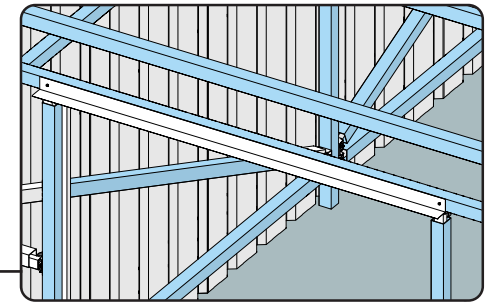
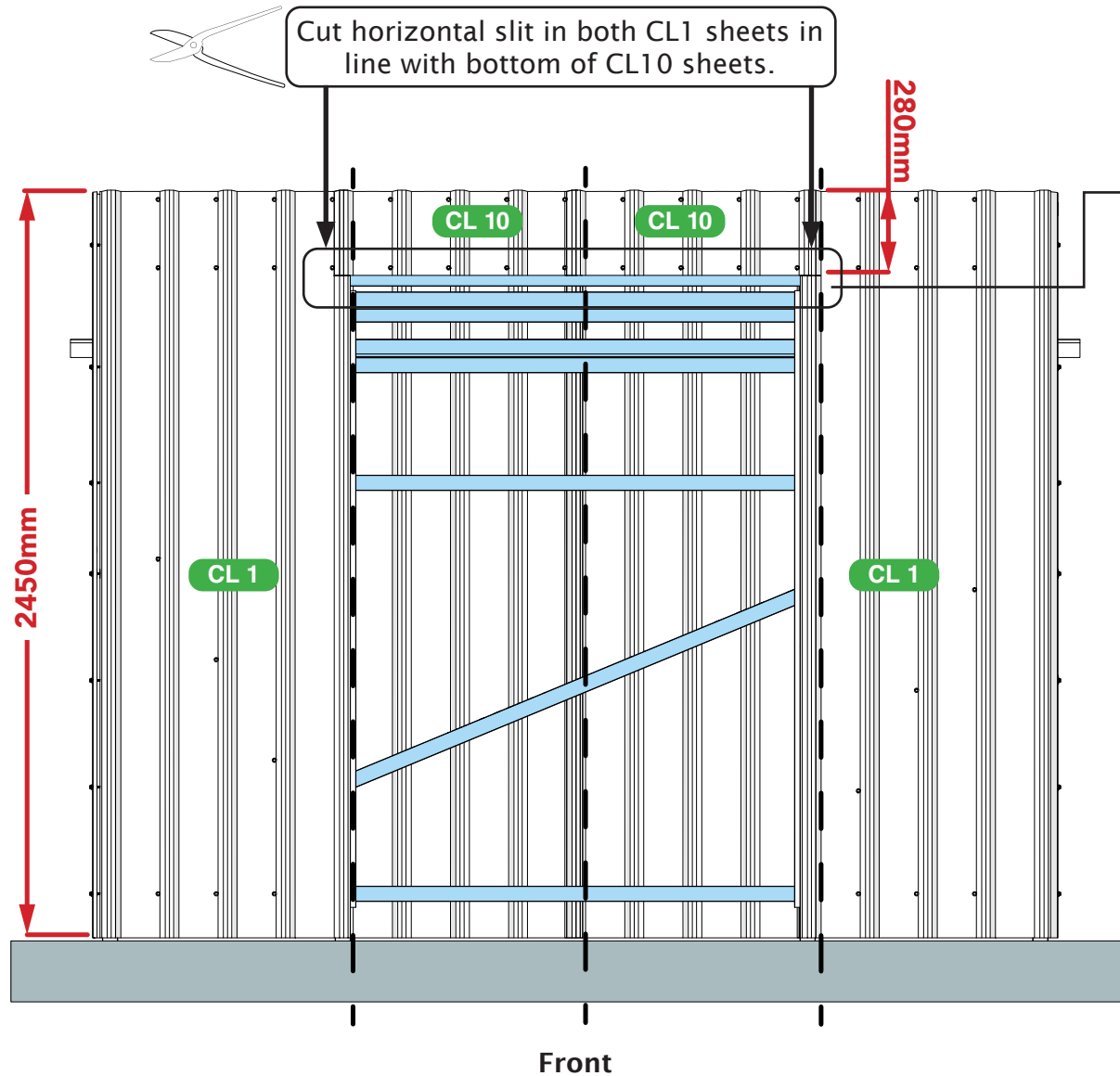
This Manual is designed to be only
used with Kwiktech
produced products.

No part of this Manual or the
Kwiktech product design may be
copied or reproduced without the
consent of Kwiktech Pty Ltd.

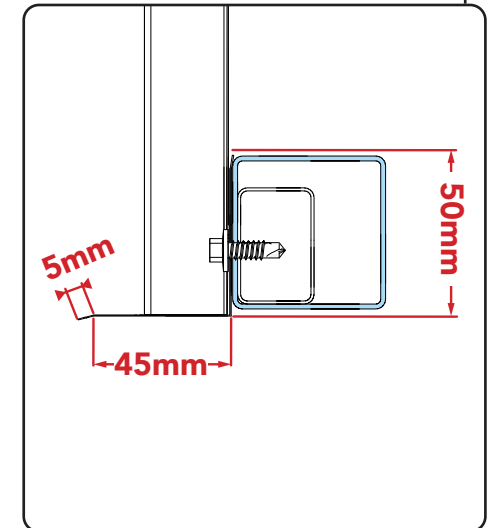
Construction using Kwiktech
products may require planning
approval. Always contact your Local
Council for the most up-to-date
rules and regulations for your area.

All dimensions are in millimeters
(mm)

www.kwiktech.com.au
© Kwiktech Pty Ltd 2022



Before installing CL10,
install **FL 9** with 1 x flat
top screw each end



Flashing dimensions

10gx16mm Tek screws used
to fix cladding to SHS frame.
Screws on one side
of each peak.

Approximate time
required: 1 Hour

Cladding

'Classic Inspire'
3m x 4.5m x 2.45m Shed
Extension - Back

User Manual

Read in conjunction with
Kwiktech Build Guide and
Kwiktech Tips & Tricks

Designed by

kwiktech.

Engineered by

sbec. SCHMIDT
BENTLEY
ENGINEERING
CONSULTING

Rating: Region A

Rev 1.7

This Manual is the sole property of
Kwiktech Pty Ltd.
All rights are reserved.

This Manual is designed to be only
used with Kwiktech
produced products.

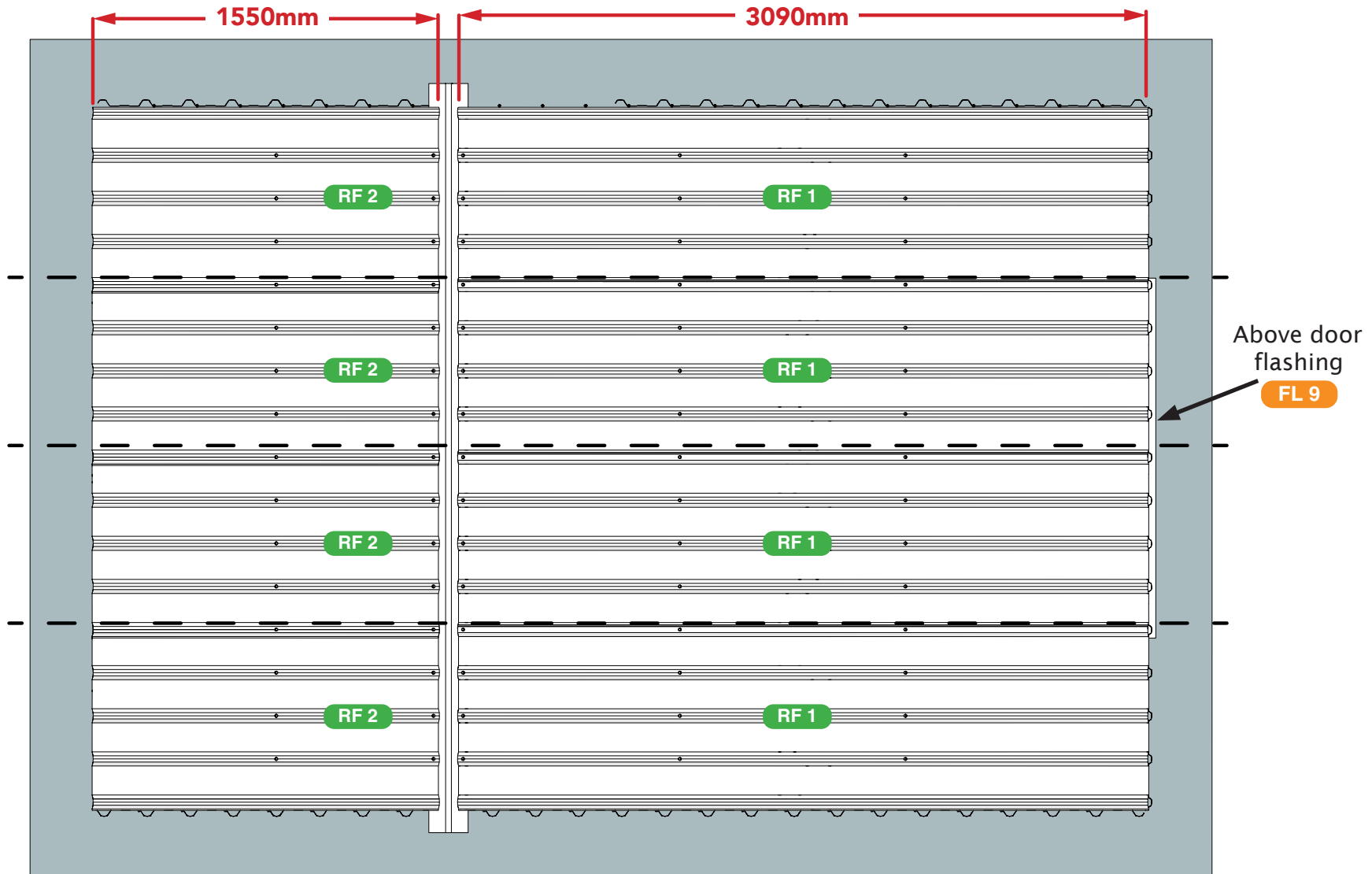
No part of this Manual or the
Kwiktech product design may be
copied or reproduced without the
consent of Kwiktech Pty Ltd.

Construction using Kwiktech
products may require planning
approval. Always contact your Local
Council for the most up-to-date
rules and regulations for your area.

All dimensions are in millimeters
(mm)

www.kwiktech.com.au
© Kwiktech Pty Ltd 2022

12gx53mm tek screws
used to fix cladding to SHS frame. Screw
through the peaks.



Roof
(Plan view)

Approximate time
required: 1 Hour

Cladding

'Classic Inspire'
3m x 4.5m x 2.45m Shed
Extension - Back

User Manual

Read in conjunction with
Kwiktech Build Guide and
Kwiktech Tips & Tricks

Designed by

kwiktech.

Engineered by

sbec. SCHMIDT
BENTLEY
ENGINEERING
CONSULTING

Rating: Region A

Rev 1.7

This Manual is the sole property of
Kwiktech Pty Ltd.
All rights are reserved.

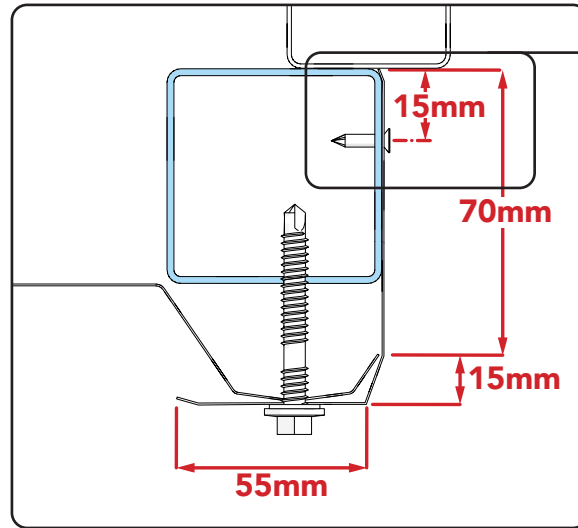
This Manual is designed to be only
used with Kwiktech
produced products.

No part of this Manual or the
Kwiktech product design may be
copied or reproduced without the
consent of Kwiktech Pty Ltd.

Construction using Kwiktech
products may require planning
approval. Always contact your Local
Council for the most up-to-date
rules and regulations for your area.

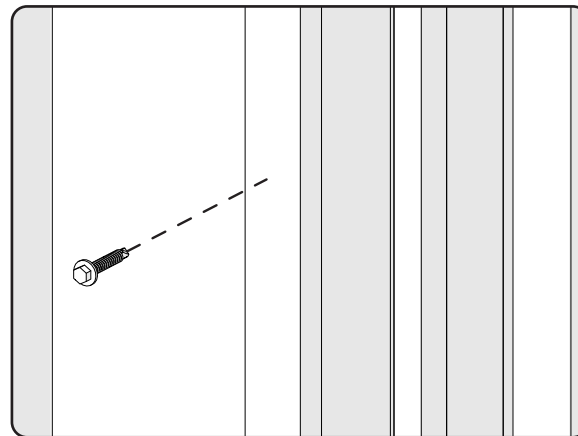
All dimensions are in millimeters
(mm)

www.kwiktech.com.au
© Kwiktech Pty Ltd 2022

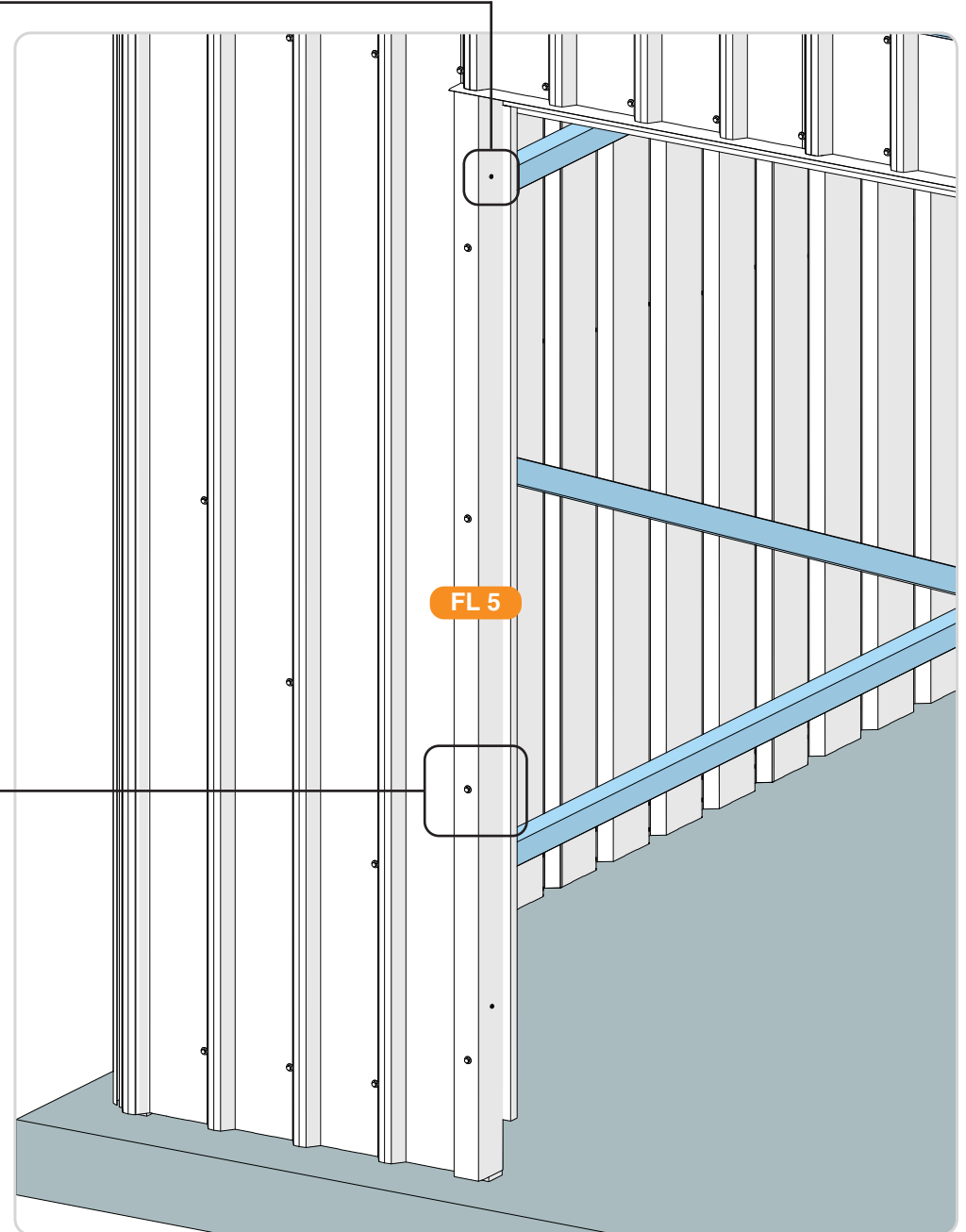


Flashing dimensions

Fix flat top screws into side of flashing
first. 300mm from both ends to miss
the hinges.



12gx53mm tek screws used to
fix flashing & cladding to SHS frame.
**Fix only after Door & Hinges have
been fixed.** Flashing installed both
sides of the door frame.



Door Install

'Classic Inspire'
3m x 4.5m x 2.45m Shed
Extension - Back

User Manual

Read in conjunction with
Kwiktech Build Guide and
Kwiktech Tips & Tricks

Designed by

kwiktech.

Engineered by

sbec. SCHMIDT
BENTLEY
ENGINEERING
CONSULTING

Rating: Region A

Rev 1.7

This Manual is the sole property of
Kwiktech Pty Ltd.
All rights are reserved.

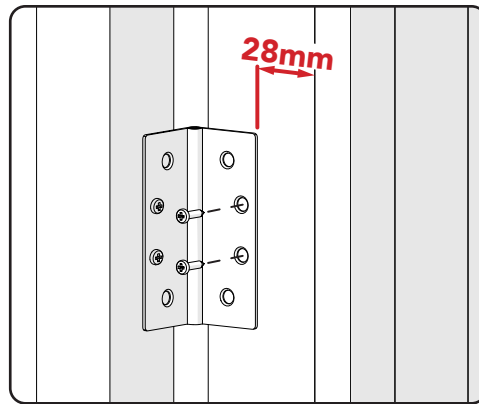
This Manual is designed to be only
used with Kwiktech
produced products.

No part of this Manual or the
Kwiktech product design may be
copied or reproduced without the
consent of Kwiktech Pty Ltd.

Construction using Kwiktech
products may require planning
approval. Always contact your Local
Council for the most up-to-date
rules and regulations for your area.

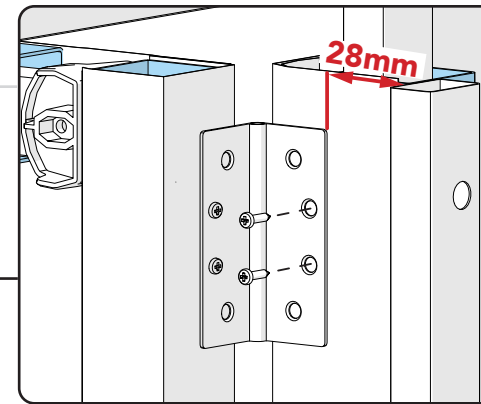
All dimensions are in millimeters
(mm)

www.kwiktech.com.au
© Kwiktech Pty Ltd 2022



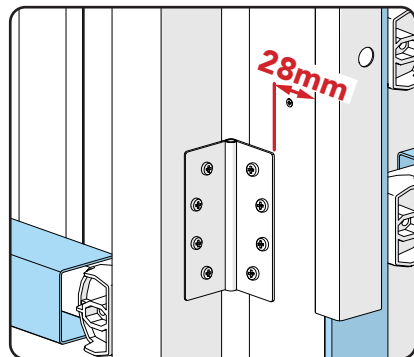
Fix to left door frame post via 2
wafer head screws.

Screw through flashing
FL 5 when installing
hinges



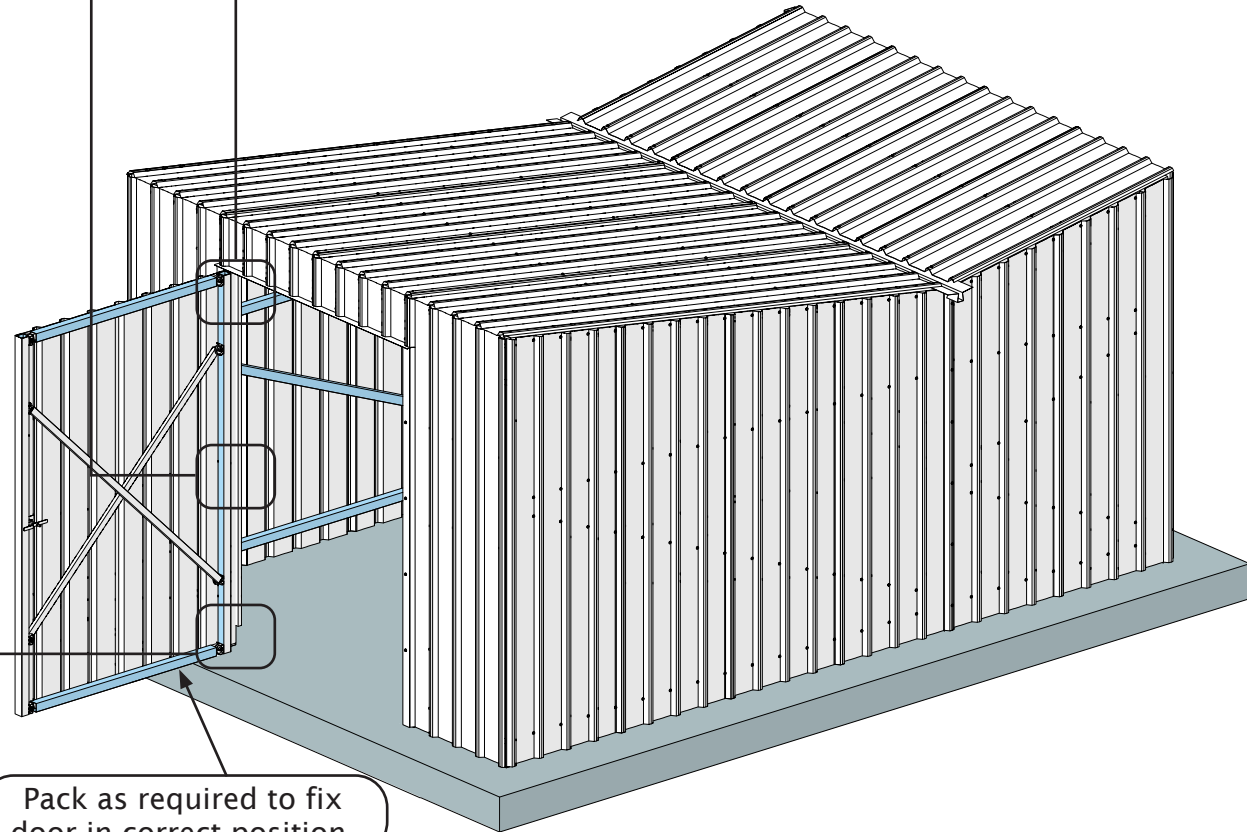
Mark and predrill 2 x
3.5mm \varnothing holes for top
hinge & fix to left door
frame post via 2
wafer head screws.

Predrill additional 2 holes
once door functionality has
been proven.



Check door for functionality
(fully opens & closes). Fix all
remaining holes with wafer
head screws.

Pack as required to fix
door in correct position.



Approximate time
required: 0.5 Hours

Flashings

'Classic Inspire'
3m x 4.5m x 2.45m Shed
Extension - Back

User Manual

Read in conjunction with
Kwiktech Build Guide and
Kwiktech Tips & Tricks

Designed by

kwiktech.

Engineered by

sbec. SCHMIDT
BENTLEY
ENGINEERING
CONSULTING

Rating: Region A

Rev 1.7

This Manual is the sole property of
Kwiktech Pty Ltd.
All rights are reserved.

This Manual is designed to be only
used with Kwiktech
produced products.

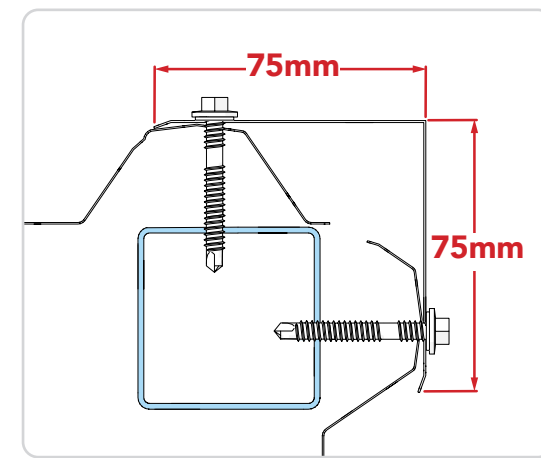
No part of this Manual or the
Kwiktech product design may be
copied or reproduced without the
consent of Kwiktech Pty Ltd.

Construction using Kwiktech
products may require planning
approval. Always contact your Local
Council for the most up-to-date
rules and regulations for your area.

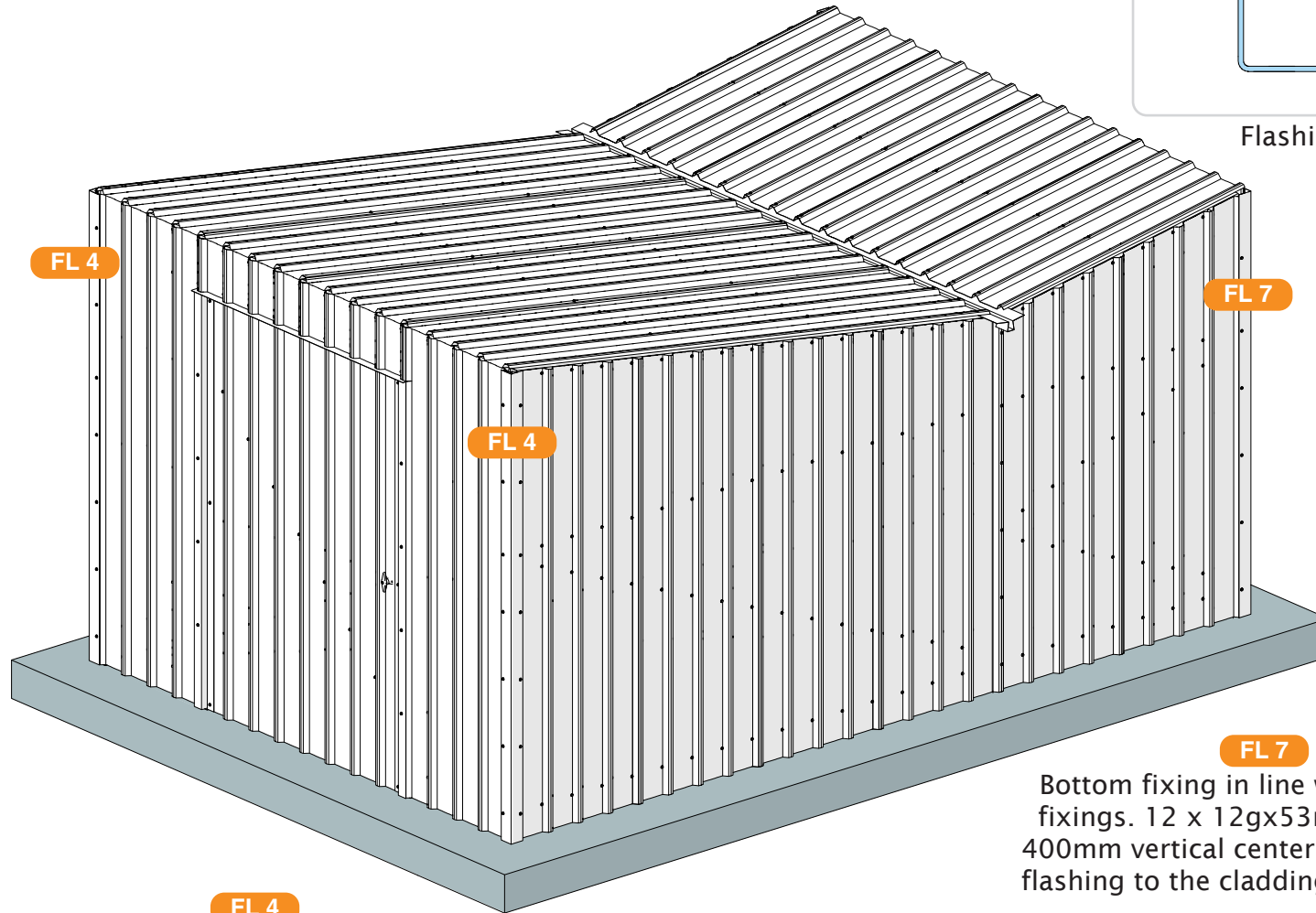
All dimensions are in millimeters
(mm)

www.kwiktech.com.au
© Kwiktech Pty Ltd 2022

Step 1
Install front & back corner
flashings



Flashing dimensions



FL 4
Bottom fixing in line with cladding
fixings. 14 x 12gx53mm screws @
400mm vertical centers to secure the
flashing to the cladding & SHS frame.

FL 7
Bottom fixing in line with cladding
fixings. 12 x 12gx53mm screws @
400mm vertical centers to secure the
flashing to the cladding & SHS frame.

Back left **FL 7** hidden due to view.
Install in the same way.

Flashings

'Classic Inspire'
3m x 4.5m x 2.45m Shed
Extension - Back

User Manual

Read in conjunction with
Kwiktech Build Guide and
Kwiktech Tips & Tricks

Designed by



Engineered by



Rating: Region A

Rev 1.7

This Manual is the sole property of
Kwiktech Pty Ltd.
All rights are reserved.

This Manual is designed to be only
used with Kwiktech
produced products.

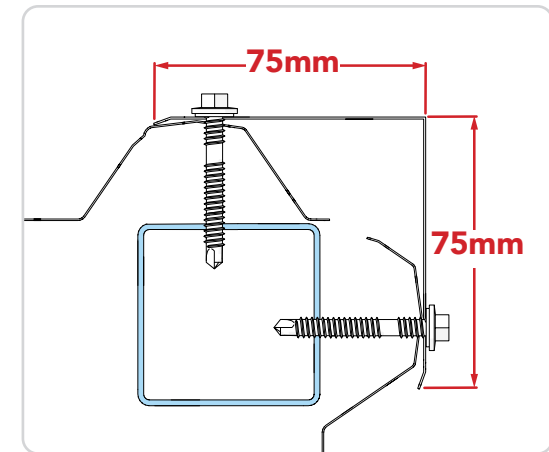
No part of this Manual or the
Kwiktech product design may be
copied or reproduced without the
consent of Kwiktech Pty Ltd.

Construction using Kwiktech
products may require planning
approval. Always contact your Local
Council for the most up-to-date
rules and regulations for your area.

All dimensions are in millimeters
(mm)

www.kwiktech.com.au
© Kwiktech Pty Ltd 2022

Step 2
Install top side flashings &
then peak flashing



Flashing dimensions

FL 1 **FL 2** **FL 3**

12 x 12gx53mm screws every third
peak to secure the flashing to the
cladding & SHS frame. Secure on the
sides & roof.

FL 8

6 x 12gx53mm screws every third
peak to secure the flashing to the
cladding & RHS frame. Secure on the
front & roof.

Shed Frame Blueprint Front

'Classic Inspire'
3m x 4.5m x 2.45m Shed
Extension - Back

User Manual

Read in conjunction with
Kwiktech Build Guide and
Kwiktech Tips & Tricks

Designed by

kwiktech.

Engineered by

sbec. SCHMIDT
BENTLEY
ENGINEERING
CONSULTING

Rating: Region A

Rev 1.7

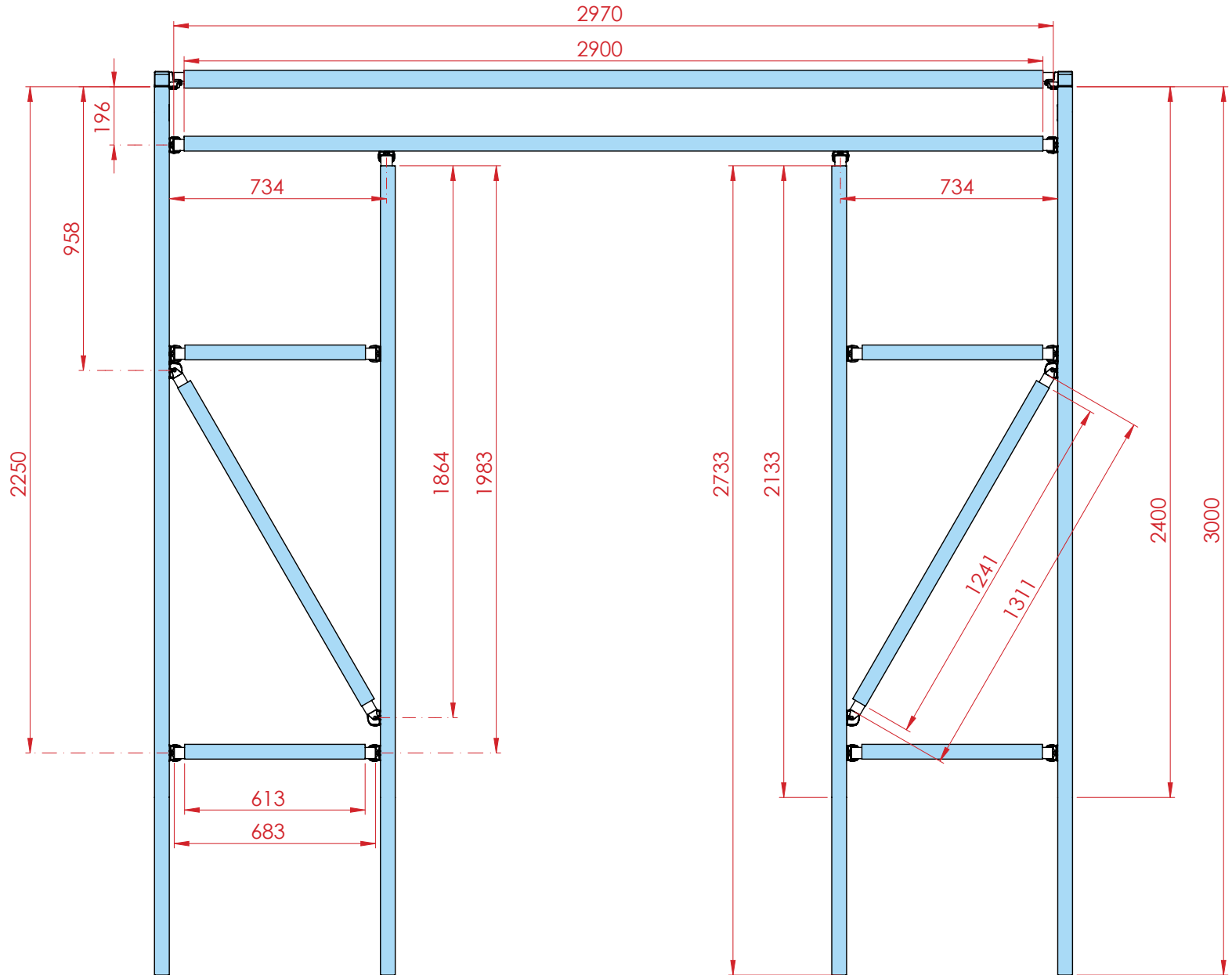
This Manual is the sole property of
Kwiktech Pty Ltd.
All rights are reserved.

This Manual is designed to be only
used with Kwiktech
produced products.

No part of this Manual or the
Kwiktech product design may be
copied or reproduced without the
consent of Kwiktech Pty Ltd.

Construction using Kwiktech
products may require planning
approval. Always contact your Local
Council for the most up-to-date
rules and regulations for your area.

All dimensions are in millimeters
(mm)



Shed Frame Blueprint Door

'Classic Inspire'
3m x 4.5m x 2.45m Shed
Extension - Back

User Manual

Read in conjunction with
Kwiktech Build Guide and
Kwiktech Tips & Tricks

Designed by

kwiktech.

Engineered by

sbec. SCHMIDT
BENTLEY
ENGINEERING
CONSULTING

Rating: Region A

Rev 1.7

This Manual is the sole property of
Kwiktech Pty Ltd.
All rights are reserved.

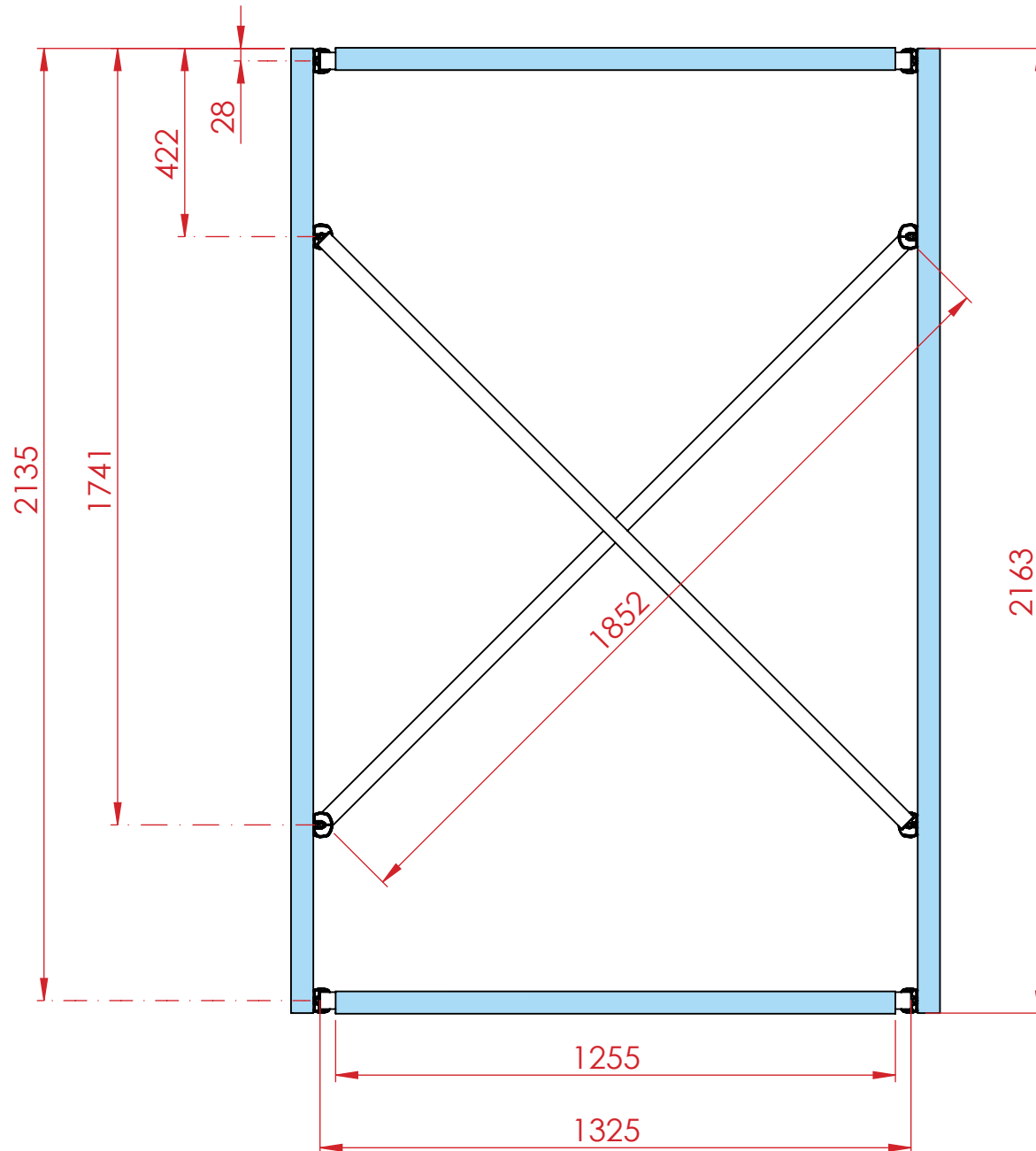
This Manual is designed to be only
used with Kwiktech
produced products.

No part of this Manual or the
Kwiktech product design may be
copied or reproduced without the
consent of Kwiktech Pty Ltd.

Construction using Kwiktech
products may require planning
approval. Always contact your Local
Council for the most up-to-date
rules and regulations for your area.

All dimensions are in millimeters
(mm)

www.kwiktech.com.au
© Kwiktech Pty Ltd 2022



Shed Frame Blueprint Left Side Connectors

'Classic Inspire'

3m x 4.5m x 2.45m Shed

Extension - Back

User Manual

Read in conjunction with
Kwiktech Build Guide and
Kwiktech Tips & Tricks

Designed by



Engineered by



Rating: Region A

Rev 1.7

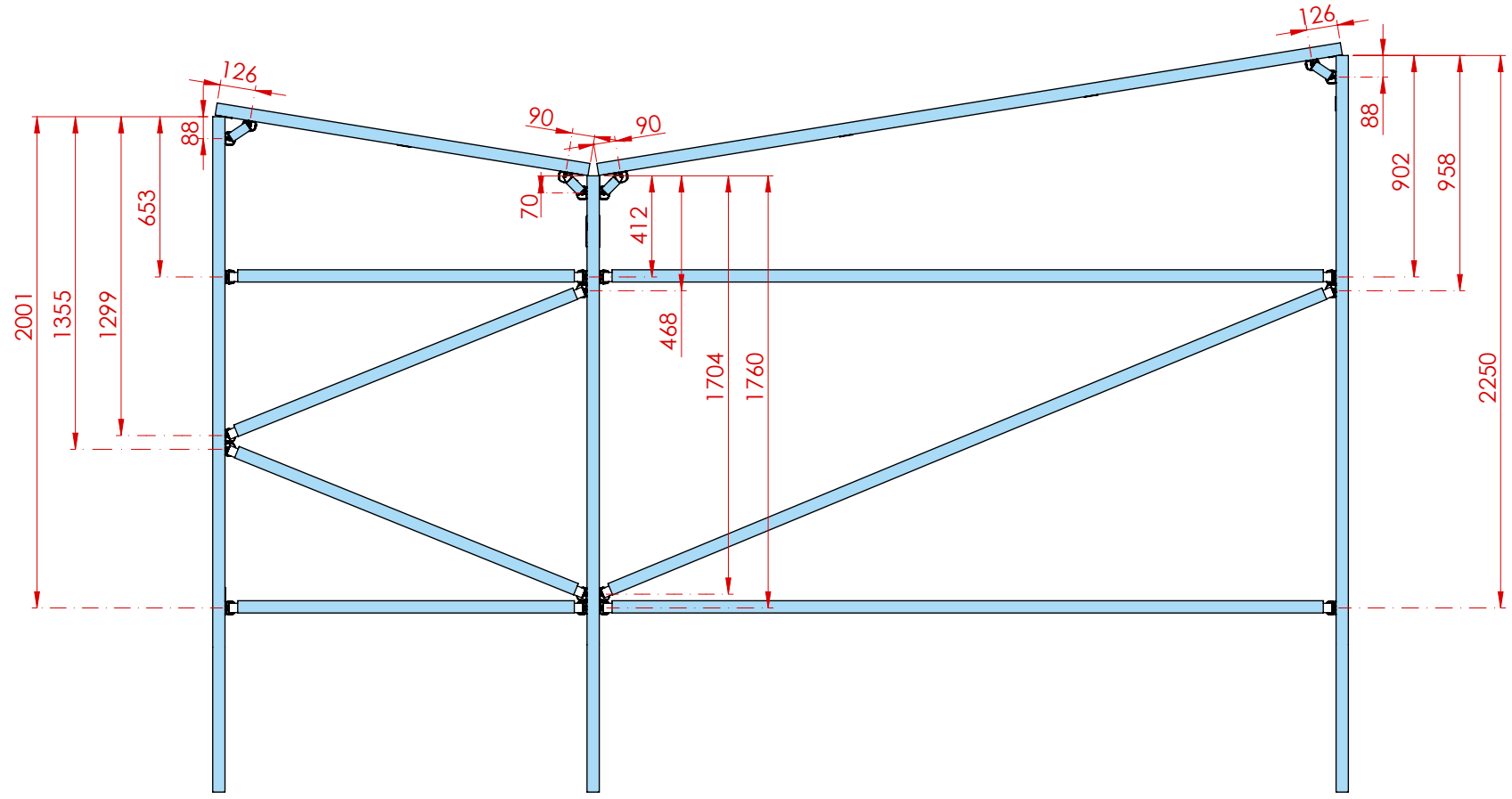
This Manual is the sole property of
Kwiktech Pty Ltd.
All rights are reserved.

This Manual is designed to be only
used with Kwiktech
produced products.

No part of this Manual or the
Kwiktech product design may be
copied or reproduced without the
consent of Kwiktech Pty Ltd.

Construction using Kwiktech
products may require planning
approval. Always contact your Local
Council for the most up-to-date
rules and regulations for your area.

All dimensions are in millimeters
(mm)



Shed Frame Blueprint Right Side Lengths

'Classic Inspire'

3m x 4.5m x 2.45m Shed

Extension - Back

User Manual

Read in conjunction with
Kwiktech Build Guide and
Kwiktech Tips & Tricks

Designed by

kwiktech.

Engineered by

sbec. SCHMIDT
BENTLEY
ENGINEERING
CONSULTING

Rating: Region A

Rev 1.7

This Manual is the sole property of
Kwiktech Pty Ltd.
All rights are reserved.

This Manual is designed to be only
used with Kwiktech
produced products.

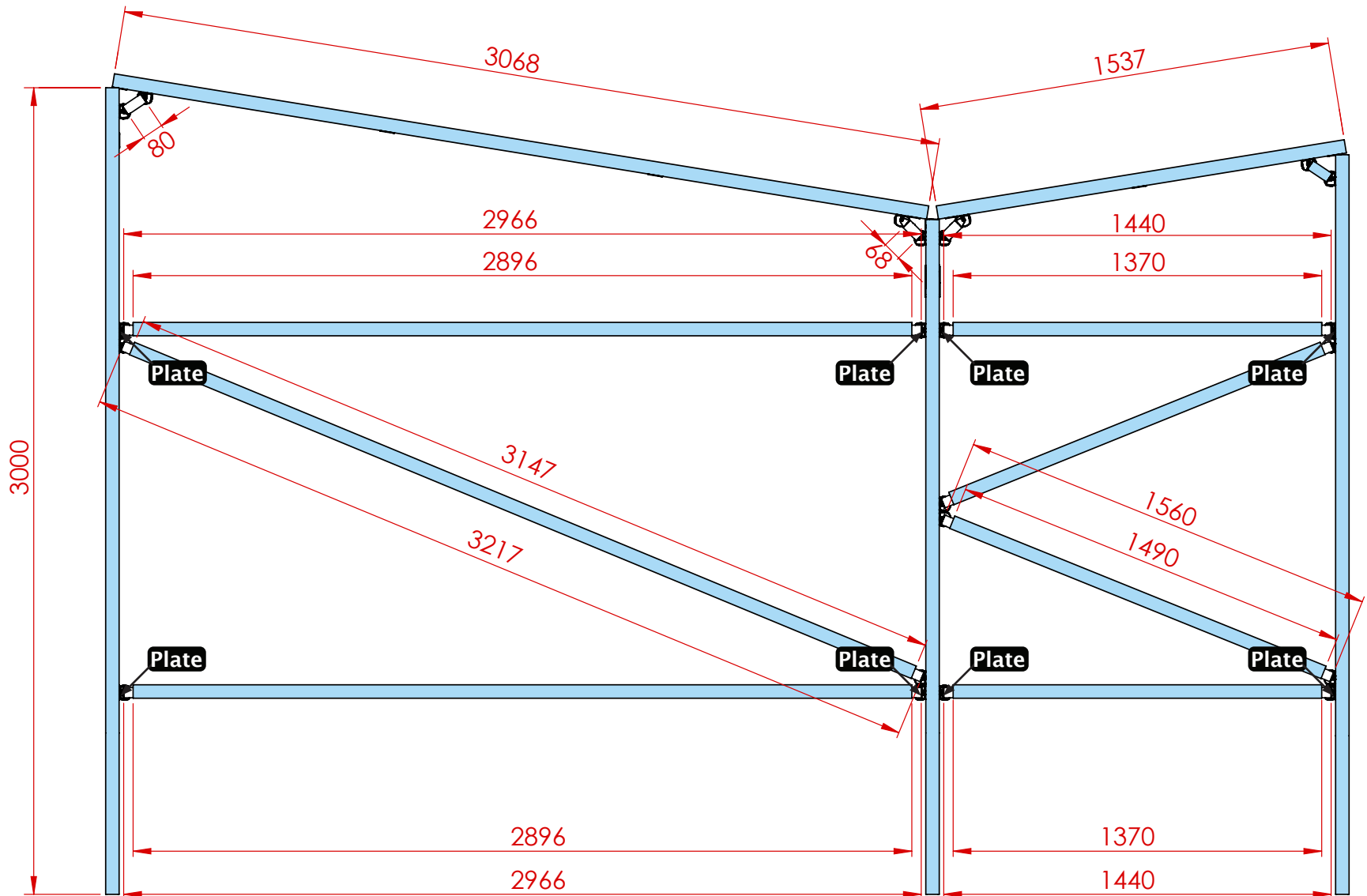
No part of this Manual or the
Kwiktech product design may be
copied or reproduced without the
consent of Kwiktech Pty Ltd.

Construction using Kwiktech
products may require planning
approval. Always contact your Local
Council for the most up-to-date
rules and regulations for your area.

All dimensions are in millimeters
(mm)

www.kwiktech.com.au

© Kwiktech Pty Ltd 2022



Shed Frame Blueprint Right Side Connectors

'Classic Inspire'

3m x 4.5m x 2.45m Shed

Extension - Back

User Manual

Read in conjunction with
Kwiktech Build Guide and
Kwiktech Tips & Tricks

Designed by



Engineered by



Rating: Region A

Rev 1.7

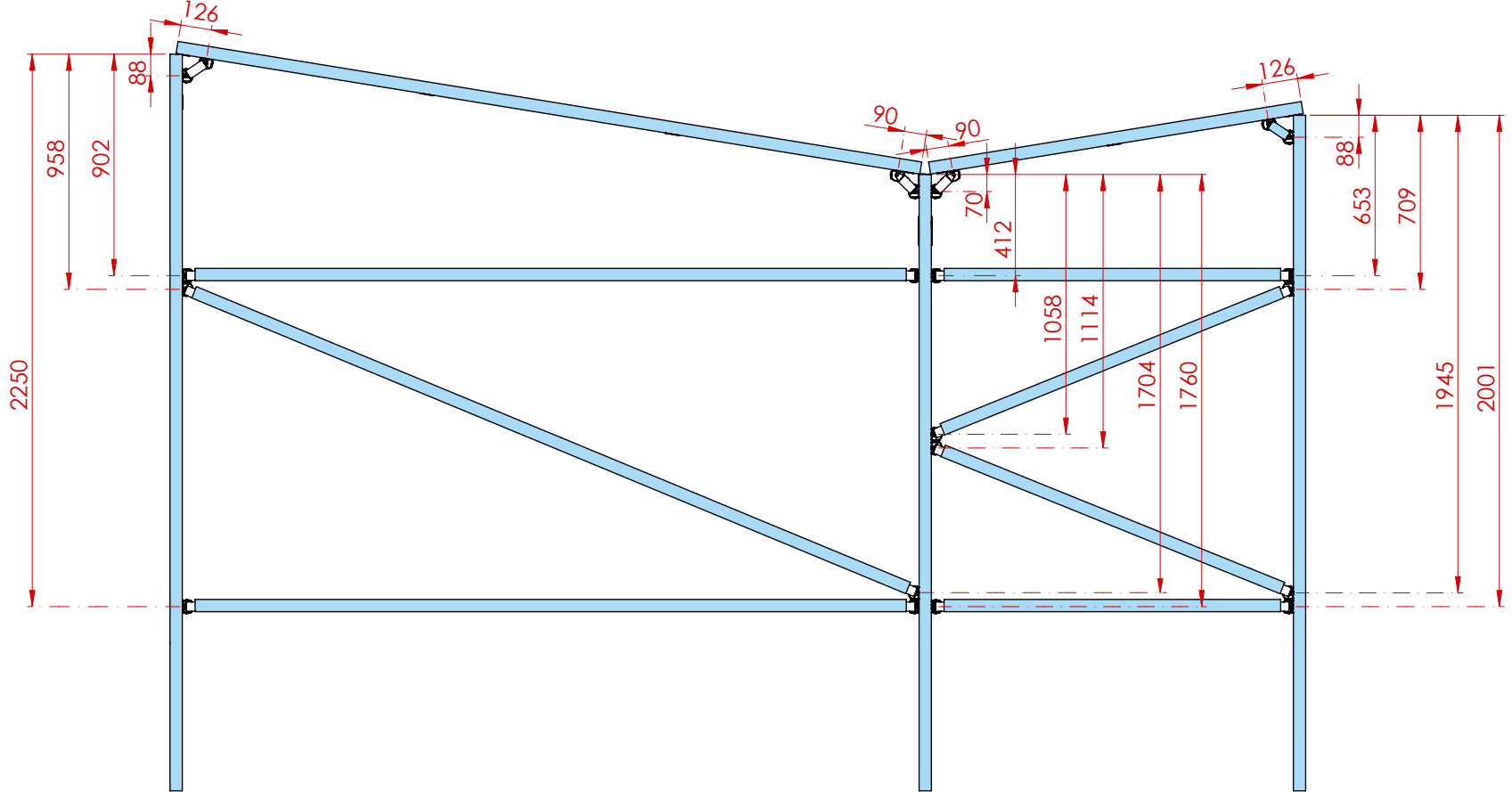
This Manual is the sole property of
Kwiktech Pty Ltd.
All rights are reserved.

This Manual is designed to be only
used with Kwiktech
produced products.

No part of this Manual or the
Kwiktech product design may be
copied or reproduced without the
consent of Kwiktech Pty Ltd.

Construction using Kwiktech
products may require planning
approval. Always contact your Local
Council for the most up-to-date
rules and regulations for your area.

All dimensions are in millimeters
(mm)



Shed Frame Blueprint Back

'Classic Inspire'
3m x 4.5m x 2.45m Shed
Extension - Back

User Manual

Read in conjunction with
Kwiktech Build Guide and
Kwiktech Tips & Tricks

Designed by

kwiktech.

Engineered by

sbec. SCHMIDT
BENTLEY
ENGINEERING
CONSULTING

Rating: Region A

Rev 1.7

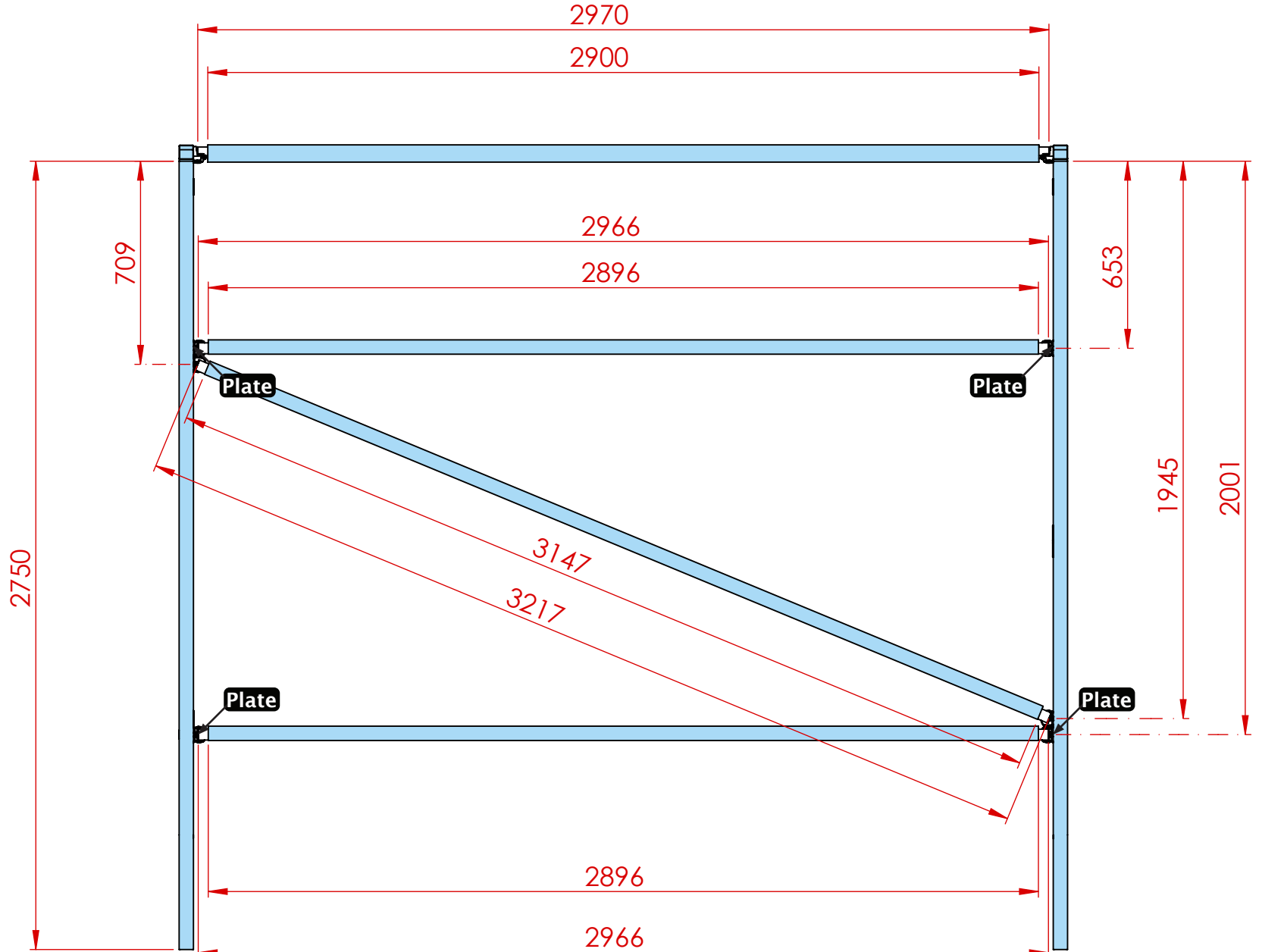
This Manual is the sole property of
Kwiktech Pty Ltd.
All rights are reserved.

This Manual is designed to be only
used with Kwiktech
produced products.

No part of this Manual or the
Kwiktech product design may be
copied or reproduced without the
consent of Kwiktech Pty Ltd.

Construction using Kwiktech
products may require planning
approval. Always contact your Local
Council for the most up-to-date
rules and regulations for your area.

All dimensions are in millimeters
(mm)



Shed Frame Blueprint Front Roof

'Classic Inspire'

3m x 4.5m x 2.45m Shed

Extension - Back

User Manual

Read in conjunction with
Kwiktech Build Guide and
Kwiktech Tips & Tricks

Designed by

kwiktech.

Engineered by

sbec. SCHMIDT
BENTLEY
ENGINEERING
CONSULTING

Rating: Region A

Rev 1.7

This Manual is the sole property of
Kwiktech Pty Ltd.
All rights are reserved.

This Manual is designed to be only
used with Kwiktech
produced products.

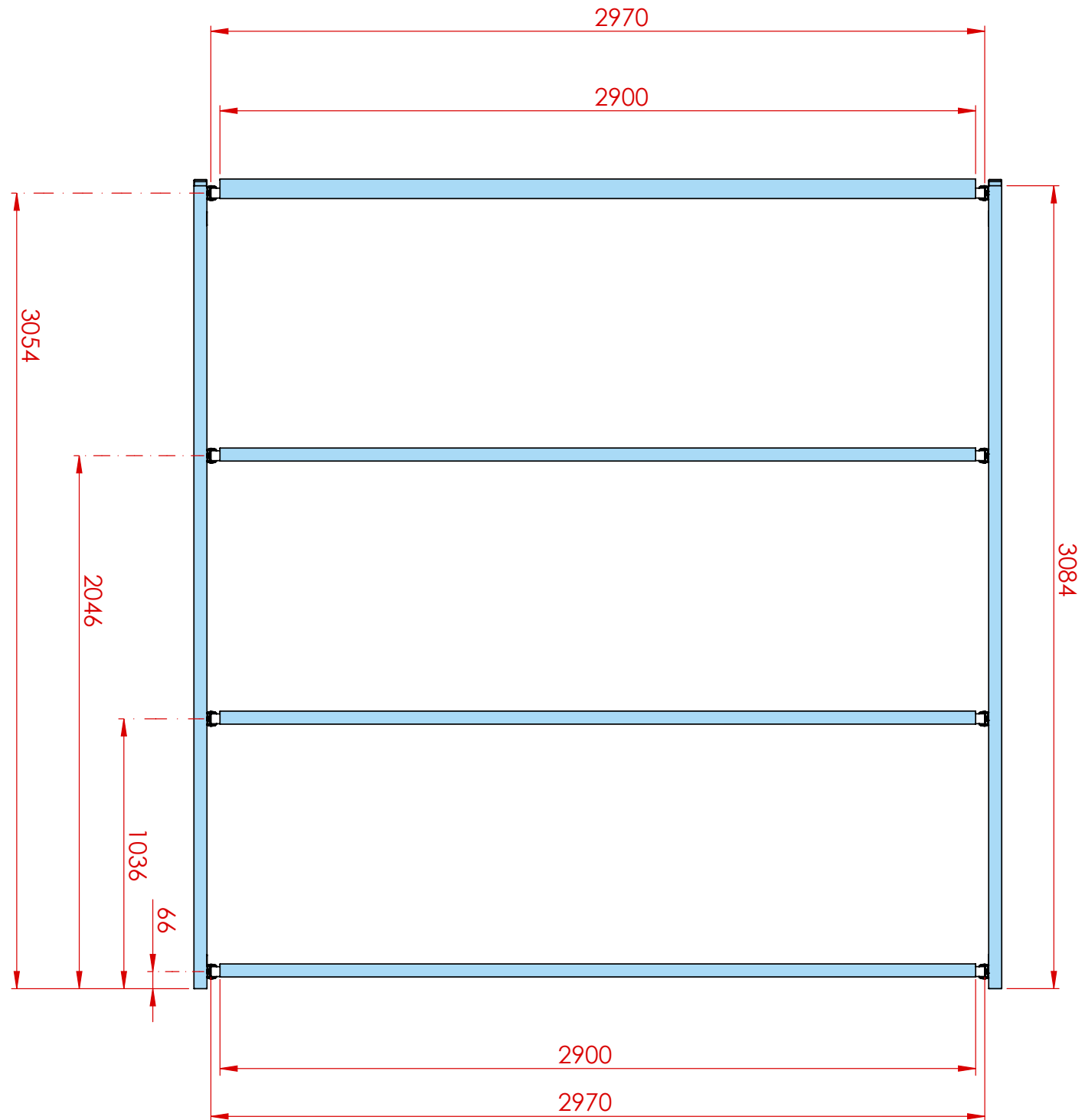
No part of this Manual or the
Kwiktech product design may be
copied or reproduced without the
consent of Kwiktech Pty Ltd.

Construction using Kwiktech
products may require planning
approval. Always contact your Local
Council for the most up-to-date
rules and regulations for your area.

All dimensions are in millimeters
(mm)

www.kwiktech.com.au

© Kwiktech Pty Ltd 2022



Shed Frame Blueprint Back Roof

'Classic Inspire'

3m x 4.5m x 2.45m Shed

Extension - Back

User Manual

Read in conjunction with
Kwiktech Build Guide and
Kwiktech Tips & Tricks

Designed by

kwiktech.

Engineered by

sbec. SCHMIDT
BENTLEY
ENGINEERING
CONSULTING

Rating: Region A

Rev 1.7

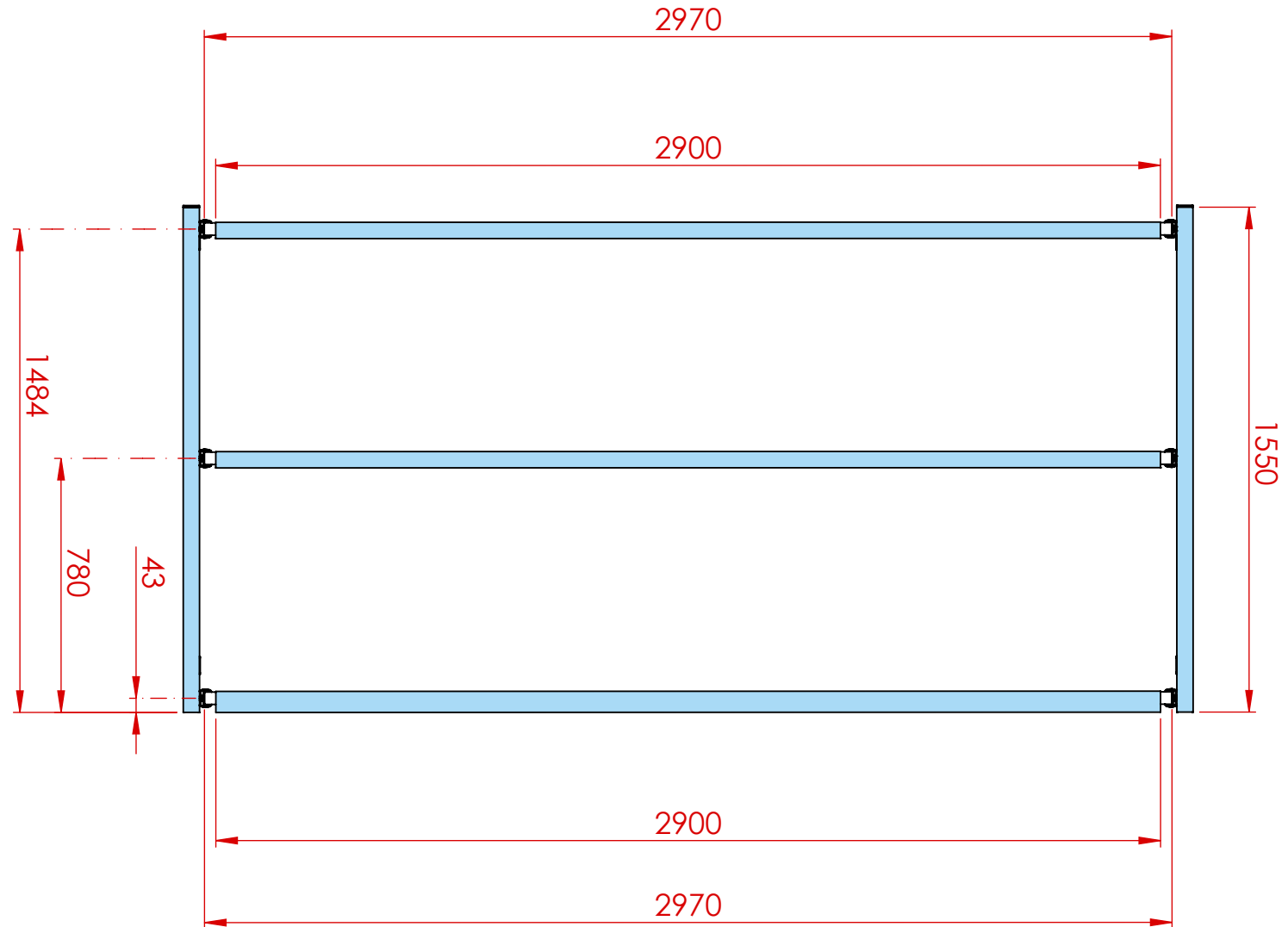
This Manual is the sole property of
Kwiktech Pty Ltd.
All rights are reserved.

This Manual is designed to be only
used with Kwiktech
produced products.

No part of this Manual or the
Kwiktech product design may be
copied or reproduced without the
consent of Kwiktech Pty Ltd.

Construction using Kwiktech
products may require planning
approval. Always contact your Local
Council for the most up-to-date
rules and regulations for your area.

All dimensions are in millimeters
(mm)



Engineering Calculations

'Classic Inspire'
3m x 4.5m x 2.45m Shed
Extension - Back

User Manual

Read in conjunction with
Kwiktech Build Guide and
Kwiktech Tips & Tricks

Designed by



Engineered by



Rating: Region A

Rev 1.7

This Manual is the sole property of
Kwiktech Pty Ltd.
All rights are reserved.

This Manual is designed to be only
used with Kwiktech
produced products.

No part of this Manual or the
Kwiktech product design may be
copied or reproduced without the
consent of Kwiktech Pty Ltd.

Construction using Kwiktech
products may require planning
approval. Always contact your Local
Council for the most up-to-date
rules and regulations for your area.

All dimensions are in millimeters
(mm)

50x2.0 SHS

NOTE: DIAGONAL BRACE ADDED

TENSION STRAP TO ALL HORIZONTAL/DIAGONAL MEMBERS TYPICAL (EXCLUDING PURLINS)

Sections:

- 1 50*1.6 SHS
- 2 50*1.6 SHS
- 3 38*25*1.2 RHS
- 4 50*2 SHS

Test Specifications

AS/NZS 1170.0-2002

10,000N Newtons = 1019kg Kilogram Force or 2248lbs Pound Force

CONNECTION TYPE	ID #	COMPRESSION NEWTONS	TENSION NEWTONS	TENSION WITH STRAP NEWTONS*
Universal Connector + Rail Insert - 0°	1	3000	2000	5600
Universal Connector + Displacement Plate + Rail Insert - 0°	2	11500	2000	5600 - Ref ID #1
Universal Connector Rotated 90° + Rail Insert - 0°	3	8500	2000 - Ref ID #1	Not Applicable
Universal Connector + Rail Insert - 11.25°	4	11000	2000 - Ref ID #1	5600 - Ref ID #1
Universal Connector + Rail Insert - 22.5°	5	12000	2000	5600
Universal Connector + Rail Insert - 45°	6	3800	2500	6000
Universal Connector + 60° Rail Insert - 60°	7	3800	3000	6000
Universal Connector + Rail Insert Load Test 1m span - 0°	8	10000	Not Applicable	Not Applicable
Post Connector + Rail Insert (4 Screws) - 0°	9	8500 - Ref ID #3	3500	Not Applicable
Post Connector + Rail Insert (4 Screws) - 22.5°	10	8000	3500	Not Applicable
Post Connector + Rail Insert (4 Screws) - 45°	11	3800	3500	Not Applicable
Star Picket Stopper	12	3500	Not Applicable	Not Applicable

* 1 Screw at each end of Galvanized 0.8mm x 30mm wide Strapping - 10gx16 Self Drilling Small Head Flat Top (Screw B)

SCHMIDT BENTLEY ENGINEERING CONSULTING

AMENDMENTS
ISSUED FOR COMMENT

DATE
29/03/21

ISSUE
A

BY
CS

ARCHITECT
N/A

CLIENT
kwiktech

PROJECT
REGION A
KWIKTECH EXTENSION
(0+3m x 3m x 2.45m)

DRAWING TITLE
BACK EXTENSION - MARKUP

JOB No. SHEET No. ISSUE
SBEC 2011-13.01 S10 A

Engineering Calculations

'Classic Inspire'
3m x 4.5m x 2.45m Shed
Extension - Back

User Manual

Read in conjunction with
Kwiktech Build Guide and
Kwiktech Tips & Tricks

Designed by

kwiktech.

Engineered by

sbec. SCHMIDT
BENTLEY
ENGINEERING
CONSULTING

Rating: Region A

Rev 1.7

This Manual is the sole property of
Kwiktech Pty Ltd.
All rights are reserved.

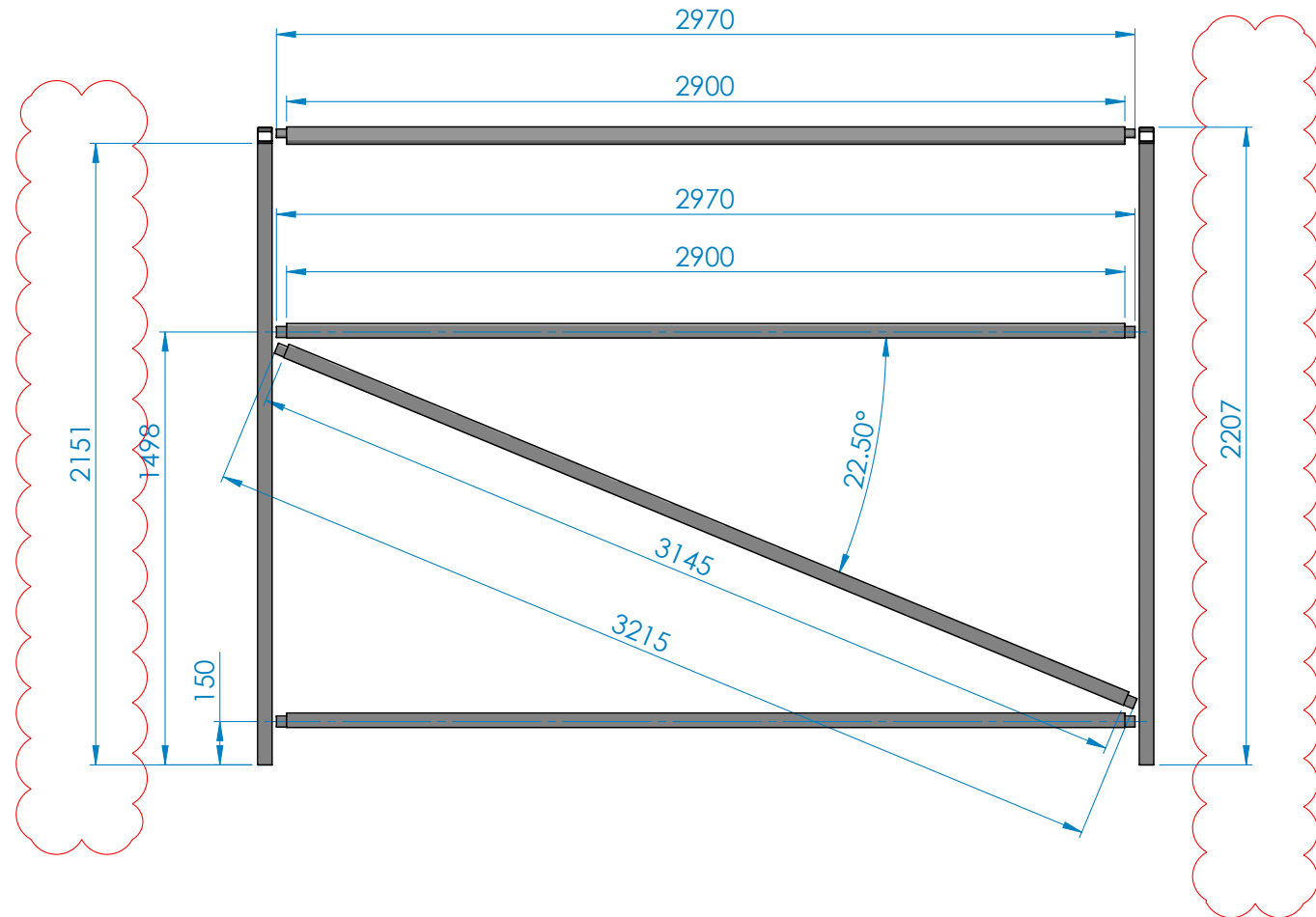
This Manual is designed to be only
used with Kwiktech
produced products.

No part of this Manual or the
Kwiktech product design may be
copied or reproduced without the
consent of Kwiktech Pty Ltd.

Construction using Kwiktech
products may require planning
approval. Always contact your Local
Council for the most up-to-date
rules and regulations for your area.

All dimensions are in millimeters
(mm)

SAME SHED DIMENSIONS AS 2.45X3X3 SHED



Engineering Calculations

'Classic Inspire'
3m x 4.5m x 2.45m Shed
Extension - Back

User Manual

Read in conjunction with
Kwiktech Build Guide and
Kwiktech Tips & Tricks

Designed by



Engineered by



Rating: Region A

Rev 1.7

This Manual is the sole property of
Kwiktech Pty Ltd.
All rights are reserved.

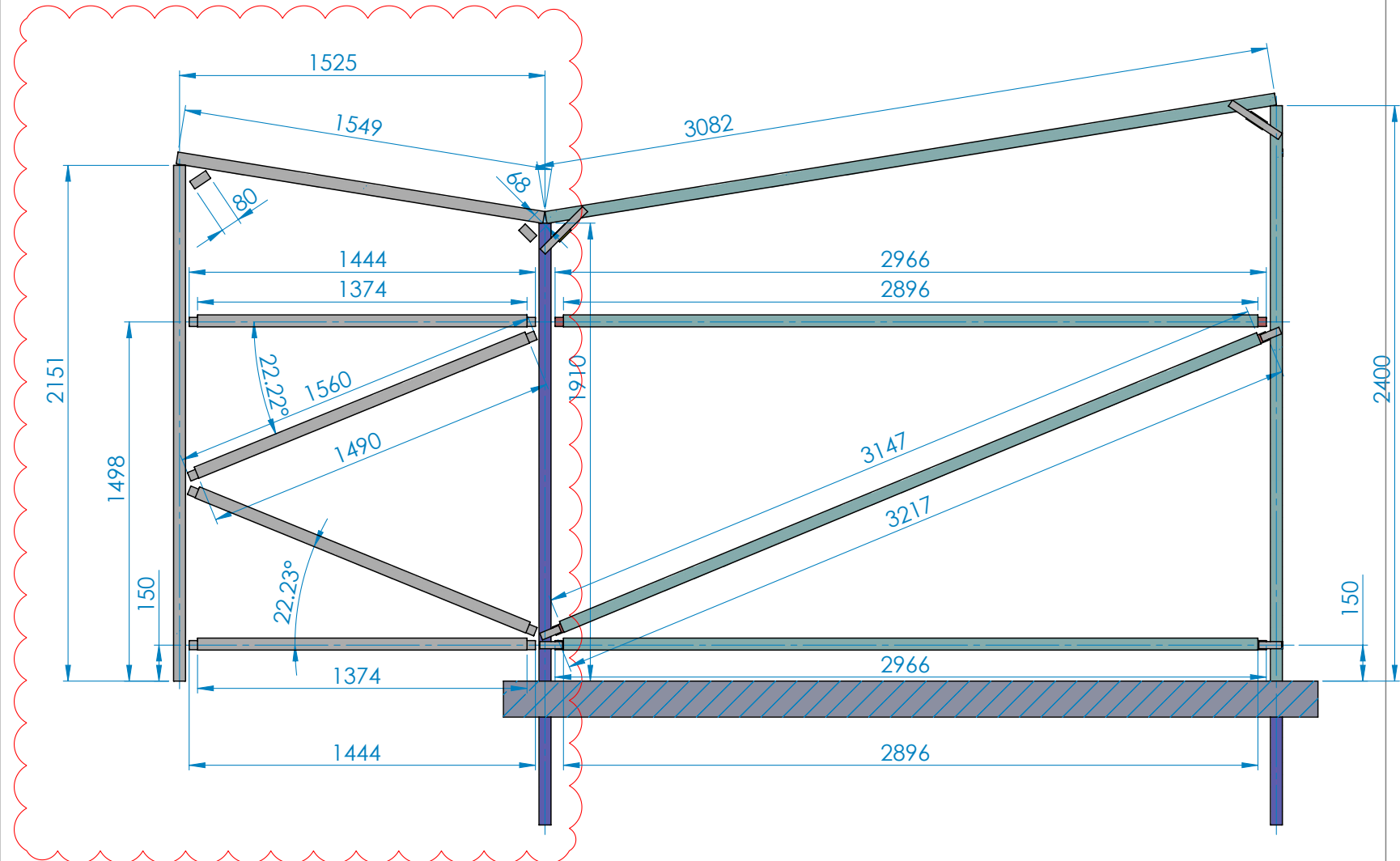
This Manual is designed to be only
used with Kwiktech
produced products.

No part of this Manual or the
Kwiktech product design may be
copied or reproduced without the
consent of Kwiktech Pty Ltd.

Construction using Kwiktech
products may require planning
approval. Always contact your Local
Council for the most up-to-date
rules and regulations for your area.

All dimensions are in millimeters
(mm)

SAME SHED DIMENSIONS AS 2.45X3X3 SHED



Engineering Calculations

'Classic Inspire'
3m x 4.5m x 2.45m Shed
Extension - Back

User Manual

Read in conjunction with
Kwiktech Build Guide and
Kwiktech Tips & Tricks

Designed by



Engineered by



Rating: Region A

Rev 1.7

This Manual is the sole property of
Kwiktech Pty Ltd.
All rights are reserved.

This Manual is designed to be only
used with Kwiktech
produced products.

No part of this Manual or the
Kwiktech product design may be
copied or reproduced without the
consent of Kwiktech Pty Ltd.

Construction using Kwiktech
products may require planning
approval. Always contact your Local
Council for the most up-to-date
rules and regulations for your area.

All dimensions are in millimeters
(mm)

SAME SHED DIMENSIONS AS 2.45X3X3 SHED

