

'Classic Plus'

4.5m x 3m x 2.45m Shed Extension - Right Side

User Manual

Read in conjunction with
Kwiktech Build Guide and
Kwiktech Tips & Tricks

Designed by

kwiktech.

Engineered by

sbec. SCHMIDT
BENTLEY
ENGINEERING
CONSULTING

Rating: Region A

Rev 1.8

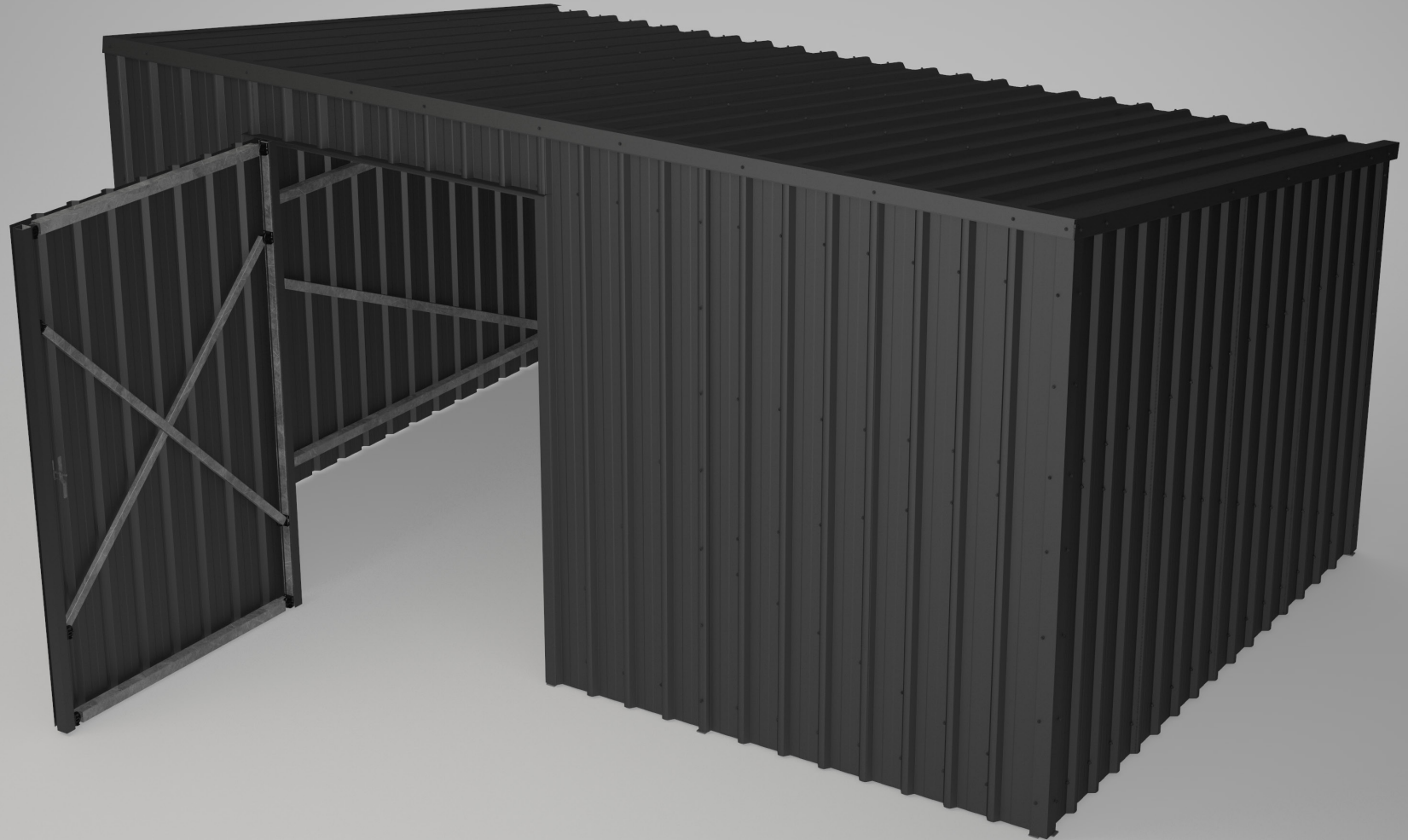
This Manual is the sole property of
Kwiktech Pty Ltd.
All rights are reserved.

This Manual is designed to be only
used with Kwiktech
produced products.

No part of this Manual or the
Kwiktech product design may be
copied or reproduced without the
consent of Kwiktech Pty Ltd.

Construction using Kwiktech
products may require planning
approval. Always contact your Local
Council for the most up-to-date
rules and regulations for your area.

All dimensions are in millimeters
(mm)



'Classic Plus'

4.5m x 3m x 2.45m Shed Extension - Right Side

User Manual

Read in conjunction with
Kwiktech Build Guide and
Kwiktech Tips & Tricks

Designed by

kwiktech.

Engineered by

sbec. SCHMIDT
BENTLEY
ENGINEERING
CONSULTING

Rating: Region A

Rev 1.8

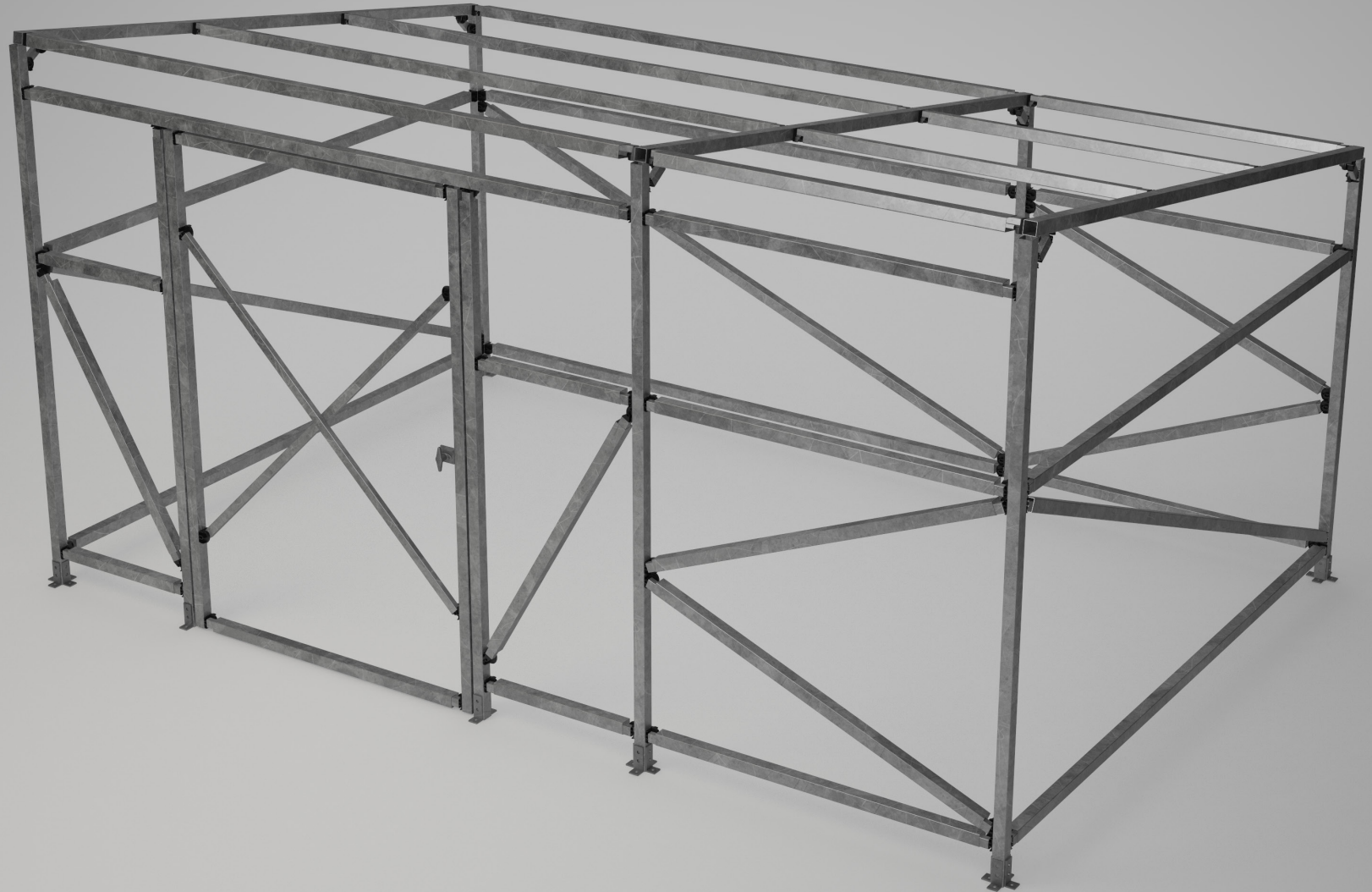
This Manual is the sole property of
Kwiktech Pty Ltd.
All rights are reserved.

This Manual is designed to be only
used with Kwiktech
produced products.

No part of this Manual or the
Kwiktech product design may be
copied or reproduced without the
consent of Kwiktech Pty Ltd.

Construction using Kwiktech
products may require planning
approval. Always contact your Local
Council for the most up-to-date
rules and regulations for your area.

All dimensions are in millimeters
(mm)



General Arrangement

'Classic Plus'

4.5m x 3m x 2.45m Shed
Extension - Right Side

User Manual

Read in conjunction with
Kwiktech Build Guide and
Kwiktech Tips & Tricks

Designed by

kwiktech.

Engineered by

sbec. SCHMIDT
BENTLEY
ENGINEERING
CONSULTING

Rating: Region A

Rev 1.8

This Manual is the sole property of
Kwiktech Pty Ltd.
All rights are reserved.

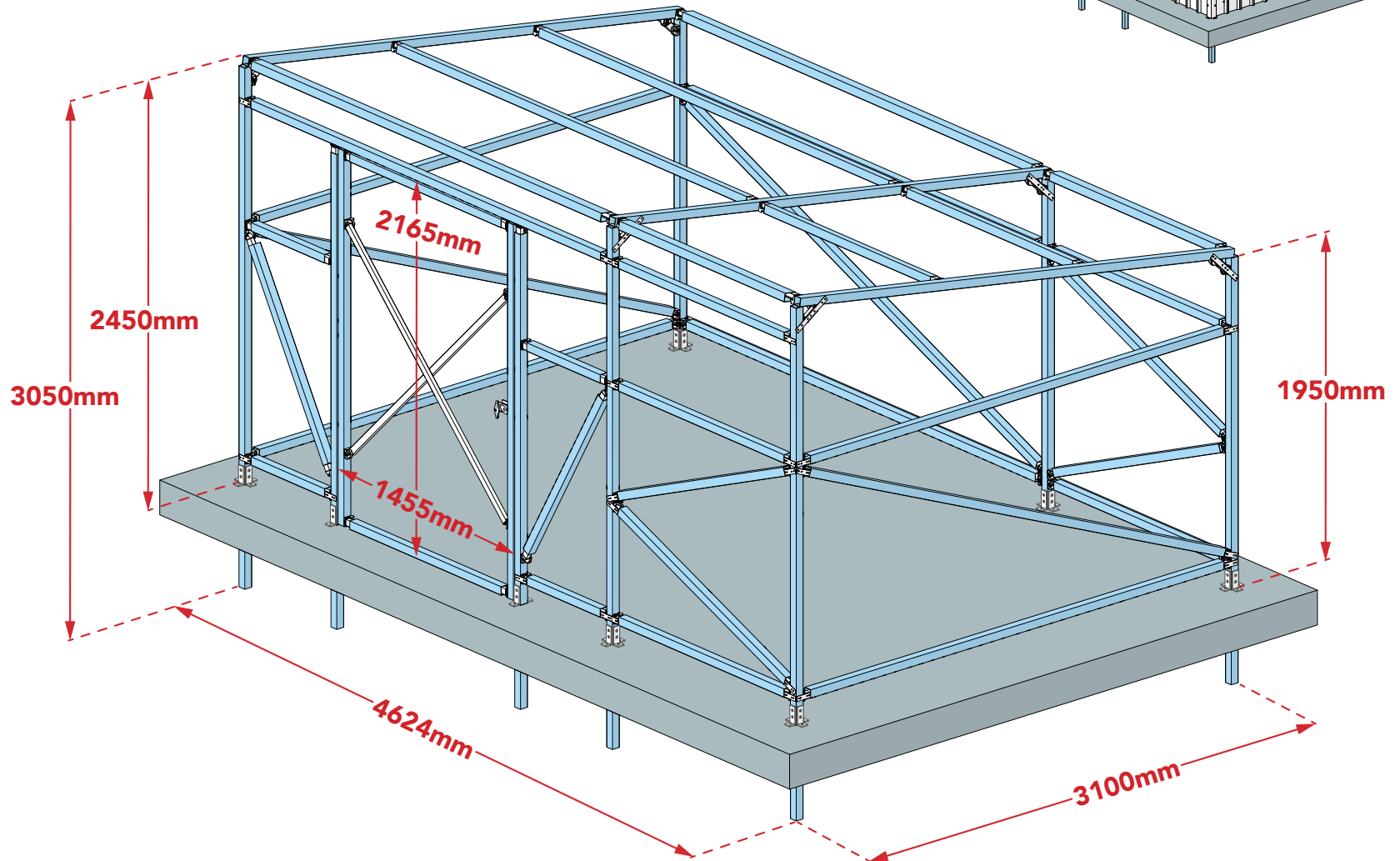
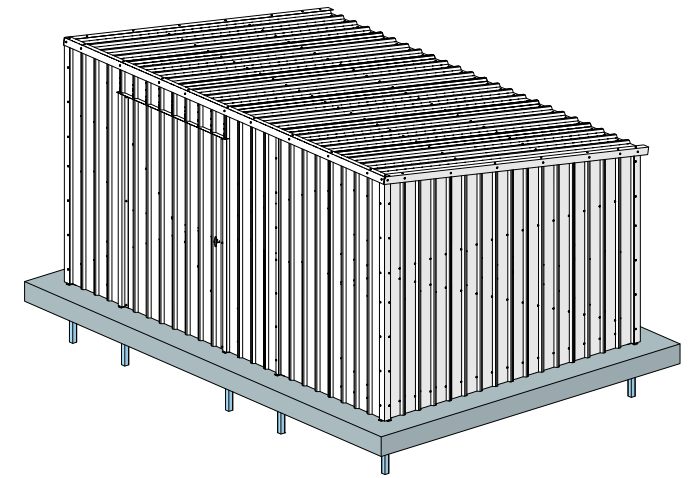
This Manual is designed to be only
used with Kwiktech
produced products.

No part of this Manual or the
Kwiktech product design may be
copied or reproduced without the
consent of Kwiktech Pty Ltd.

Construction using Kwiktech
products may require planning
approval. Always contact your Local
Council for the most up-to-date
rules and regulations for your area.

All dimensions are in millimeters
(mm)

www.kwiktech.com.au
© Kwiktech Pty Ltd 2022



Materials List

'Classic Plus'
4.5m x 3m x 2.45m Shed
Extension - Right Side
User Manual

Read in conjunction with
Kwiktech Build Guide and
Kwiktech Tips & Tricks

Designed by



Engineered by



Rating: Region A

Rev 1.8

This Manual is the sole property of
Kwiktech Pty Ltd.
All rights are reserved.

This Manual is designed to be only
used with Kwiktech
produced products.

No part of this Manual or the
Kwiktech product design may be
copied or reproduced without the
consent of Kwiktech Pty Ltd.

Construction using Kwiktech
products may require planning
approval. Always contact your Local
Council for the most up-to-date
rules and regulations for your area.

All dimensions are in millimeters
(mm)

NON KWIKTECH ITEMS

ITEM	ITEM ID #	ASSEMBLY ID #	LENGTH	COLOUR	QUANTITY	RESELLER PRICE
RHS 75x50x2.0mm	1	A	2900	Galv	2	
RHS 75x50x2.0mm	2	B	1374	Galv	2	
SHS 50x50x2mm	3		3084	Galv	1	
SHS 50x50x2mm	4		3000*	Galv	1	
SHS 50x50x2mm	5		2510*	Galv	1	
SHS 50x50x1.5mm or 1.6mm	6	C	3147	Galv	3	
SHS 50x50x1.5mm or 1.6mm	7 8		3084	Galv	2	
SHS 50x50x1.5mm or 1.6mm	9 10		3000*	Galv	2	
SHS 50x50x1.5mm or 1.6mm	11	D	2900	Galv	3	
SHS 50x50x1.5mm or 1.6mm (Displacement plates both ends)	12	E	2896	Galv	6	
SHS 50x50x1.5mm or 1.6mm	13 14	F	2733*	Galv	2	
SHS 50x50x1.5mm or 1.6mm	15 16		2510*	Galv	2	
SHS 50x50x1.5mm or 1.6mm	17		2163	Galv	2	
SHS 50x50x1.5mm or 1.6mm	18	G	1490	Galv	4	
SHS 50x50x1.5mm or 1.6mm	19	H	1374	Galv	3	
SHS 50x50x1.5mm or 1.6mm (Displacement plates both ends)	20	I	1370	Galv	4	
SHS 50x50x1.5mm or 1.6mm	21	J	1255	Galv	2	
SHS 50x50x1.5mm or 1.6mm	22	K	1241	Galv	2	
SHS 50x50x1.5mm or 1.6mm	23	L	613	Galv	4	

*NOTE: If fixing the shed on existing concrete, reduce these member lengths by 600mm.

Materials List

'Classic Plus'
4.5m x 3m x 2.45m Shed
Extension - Right Side

User Manual

Read in conjunction with
Kwiktech Build Guide and
Kwiktech Tips & Tricks

Designed by



Engineered by



Rating: Region A

Rev 1.8

This Manual is the sole property of
Kwiktech Pty Ltd.
All rights are reserved.

This Manual is designed to be only
used with Kwiktech
produced products.

No part of this Manual or the
Kwiktech product design may be
copied or reproduced without the
consent of Kwiktech Pty Ltd.

Construction using Kwiktech
products may require planning
approval. Always contact your Local
Council for the most up-to-date
rules and regulations for your area.

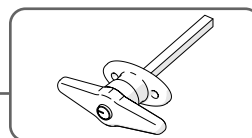
All dimensions are in millimeters
(mm)

NON KWIKTECH ITEMS

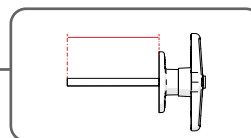
ITEM	ITEM ID #	ASSEMBLY ID #	LENGTH	COLOUR	QUANTITY	RESELLER PRICE
RHS 38x25x1.2mm or 1.6mm	24	C	3217	Galv	3	
RHS 38x25x1.2mm or 1.6mm	25	A D	2970	Galv	5	
RHS 38x25x1.2mm or 1.6mm (Displacement plates both ends)	26	E	2966	Galv	6	
RHS 38x25x1.2mm or 1.6mm	27		2023	Galv	2	
RHS 38x25x1.2mm or 1.6mm	28		1852	Galv	2	
RHS 38x25x1.2mm or 1.6mm	29	G	1560	Galv	4	
RHS 38x25x1.2mm or 1.6mm	30	B H	1444	Galv	5	
RHS 38x25x1.2mm or 1.6mm (Displacement plates both ends)	31	I	1440	Galv	4	
RHS 38x25x1.2mm or 1.6mm	32	J	1325	Galv	2	
RHS 38x25x1.2mm or 1.6mm	33	K	1311	Galv	2	
RHS 38x25x1.2mm or 1.6mm	34	F	1000	Galv	2	
RHS 38x25x1.2mm or 1.6mm	35	L	683	Galv	4	
RHS 38x25x1.2mm or 1.6mm (Used for optional temp corner braces)	36		442	Galv	4	
RHS 38x25x1.2mm or 1.6mm	37		80	Galv	3	
RHS 38x25x1.2mm or 1.6mm	38		68	Galv	4	

NON KWIKTECH ITEMS

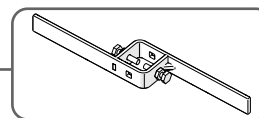
ITEM	ID #	LENGTH	COLOUR	QUANTITY	RESELLER PRICE
100x100x2.5 Zinc Plated Butt Hinge		100	Galv	3	
VATER Tee Handle Kit & Inside Latch		-	-	1	
Tek Screw 16mmx10g Coloured		16	Customers Choice	600	
Tek Screw 53mmx12g Coloured - Neo		53		300	
M12x75 4.6 Hex head Galv Bolt & Nut	Only required if fixing to existing concrete.	75	Galv	14	
P1326H Ninety Degree Fitting HG		105	Galv	28	
Dynabolt DP12100 M10 12x100 Galv		100	Galv	28	
38x25 Black Plastic Post Cap		38	Black	2	



Tee Handle



Minimum Tee Handle Length 75mm



Recommend using a heavy duty inner lock, such as the one pictured above.

Materials List

'Classic Plus' 4.5m x 3m x 2.45m Shed Extension - Right Side

User Manual

Read in conjunction with
Kwiktech Build Guide and
Kwiktech Tips & Tricks

Designed by



Engineered by



Rating: Region A

Rev 1.8

This Manual is the sole property of
Kwiktech Pty Ltd.
All rights are reserved.

This Manual is designed to be only
used with Kwiktech
produced products.

No part of this Manual or the
Kwiktech product design may be
copied or reproduced without the
consent of Kwiktech Pty Ltd.

Construction using Kwiktech
products may require planning
approval. Always contact your Local
Council for the most up-to-date
rules and regulations for your area.

All dimensions are in millimeters
(mm)

KWIKTECH KITS

ITEM	QUANTITY	RESELLER PRICE
Kwiktech DIY Rated Shed Kit (NOTE: Some items will not be used)	2	

CLADDINGS & FLASHINGS

ITEM	ID #	LENGTH	COLOUR	QUANTITY	RESELLER PRICE
TrimDek Cladding 762x29x0.42mm or 0.48mm - Front Roof	RF 1	3275	Customers Choice	6	
TrimDek Cladding 762x29x0.42mm or 0.48mm - Front Outers	CL 1	2450		4	
TrimDek Cladding 762x29x0.42mm or 0.48mm - Side 1	CL 2	2450		2	
TrimDek Cladding 762x29x0.42mm or 0.48mm - Side 2	CL 3	2325		2	
TrimDek Cladding 762x29x0.42mm or 0.48mm - Side 3	CL 4	2200		2	
TrimDek Cladding 762x29x0.42mm or 0.48mm - Side 4	CL 5	2075		2	
TrimDek Cladding 762x29x0.42mm or 0.48mm - Back	CL 6	1950		6	
TrimDek Cladding 762x29x0.42mm or 0.48mm - Door	CL 7	2165		2	
TrimDek Cladding 762x29x0.42mm or 0.48mm - Front above Door	CL 8	280		2	
Front Peak Flashing	FL 1	4684		1	
Back Flashing	FL 2	4630		1	
Roof Sides Flashing	FL 3	3310		2	
Front Corners Flashing	FL 4	2450		2	
Door Frame Housing Flashing	FL 5	2172		2	
Door Side Flashing	FL 6	2165	2		
Back Corners Flashing	FL 7	1950	2		
Above Door Flashing	FL 8	1590	1		
Internal Door Frame Flashing	FL 9	1518	1		
Door Lock Flashing	FL 10.1 FL 10.2	40	Galv	1	
				Sub-Total	
				GST	
				Shipping	
				Total Cost	

Materials List

'Classic Plus'

4.5m x 3m x 2.45m Shed
Extension - Right Side

User Manual

Read in conjunction with
Kwiktech Build Guide and
Kwiktech Tips & Tricks

Designed by

kwiktech.

Engineered by

sbec. SCHMIDT
BENTLEY
ENGINEERING
CONSULTING

Rating: Region A

Rev 1.8

This Manual is the sole property of
Kwiktech Pty Ltd.
All rights are reserved.

This Manual is designed to be only
used with Kwiktech
produced products.

No part of this Manual or the
Kwiktech product design may be
copied or reproduced without the
consent of Kwiktech Pty Ltd.

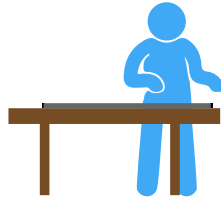
Construction using Kwiktech
products may require planning
approval. Always contact your Local
Council for the most up-to-date
rules and regulations for your area.

All dimensions are in millimeters
(mm)

www.kwiktech.com.au

© Kwiktech Pty Ltd 2022

Build Preparation



Rail Inserts



Extra Strong Rails



Universal
Connectors

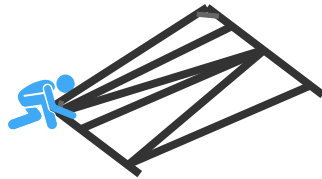


Door Stopper

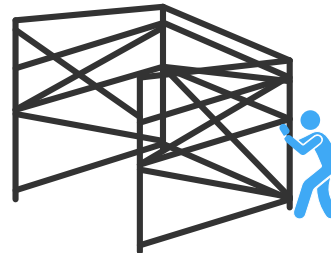


Footing
Preparation

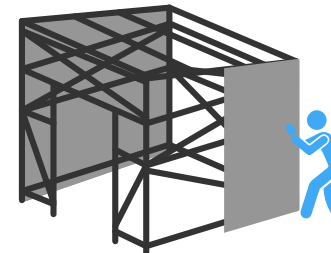
Assembly Sequence



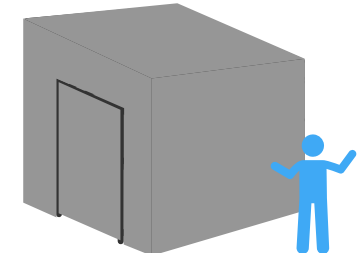
Fabricate



Erect & Fabricate



Cladding & Flashings



Finished Product

REQUIRED KWIKTECH ITEMS (INCLUDED IN KIT)

ITEM	QUANTITY	ITEM	QUANTITY
Post Connector (KT-P-001)	0	10G x 16 Self Drilling Wafer Head Screw	1200
Universal Connector (KT-P-002)	120	M6 x 40 Socket Head Cap Screw - Zinc	120
Rail Inserts (KT-P-003)	108	M6 x 20 Hex Head Bolt - Galv	0
60° Rail Inserts (KT-P-004)	12	M6 Nut - Galv	0
Star Picket Guide (KT-P-005)	0	Kwiktech 2mm Displacement Plate	24
Post Cap (KT-P-006)	0	Right Angle Bracket - Zinc	4
Tension Strapping 0.8 x 30 x 85mm	0	Assembly Wedge - Rubber	2
Tension Strapping 0.8 x 30 x 95mm	48	10G x 16 Self Drilling Small Head Flat Top Screw	260
Tension Strapping 0.8 x 30 x 135mm	0		
Tension Strapping 0.8 x 30 x 250mm	8		

HOLLOW METAL TOTAL

ITEM	TOTAL LENGTH
Duragal 75x50x2.0mm	9m
Duragal 50x50x2mm	9m
Duragal 50x50x1.5mm	87m
Duragal 38x25x1.2mm	82m

FOR
INFORMATION
ONLY

Member Locations

'Classic Plus'

4.5m x 3m x 2.45m Shed
Extension - Right Side

User Manual

Read in conjunction with
Kwiktech Build Guide and
Kwiktech Tips & Tricks

Designed by

kwiktech.

Engineered by

sbec. SCHMIDT
BENTLEY
ENGINEERING
CONSULTING

Rating: Region A

Rev 1.8

This Manual is the sole property of
Kwiktech Pty Ltd.
All rights are reserved.

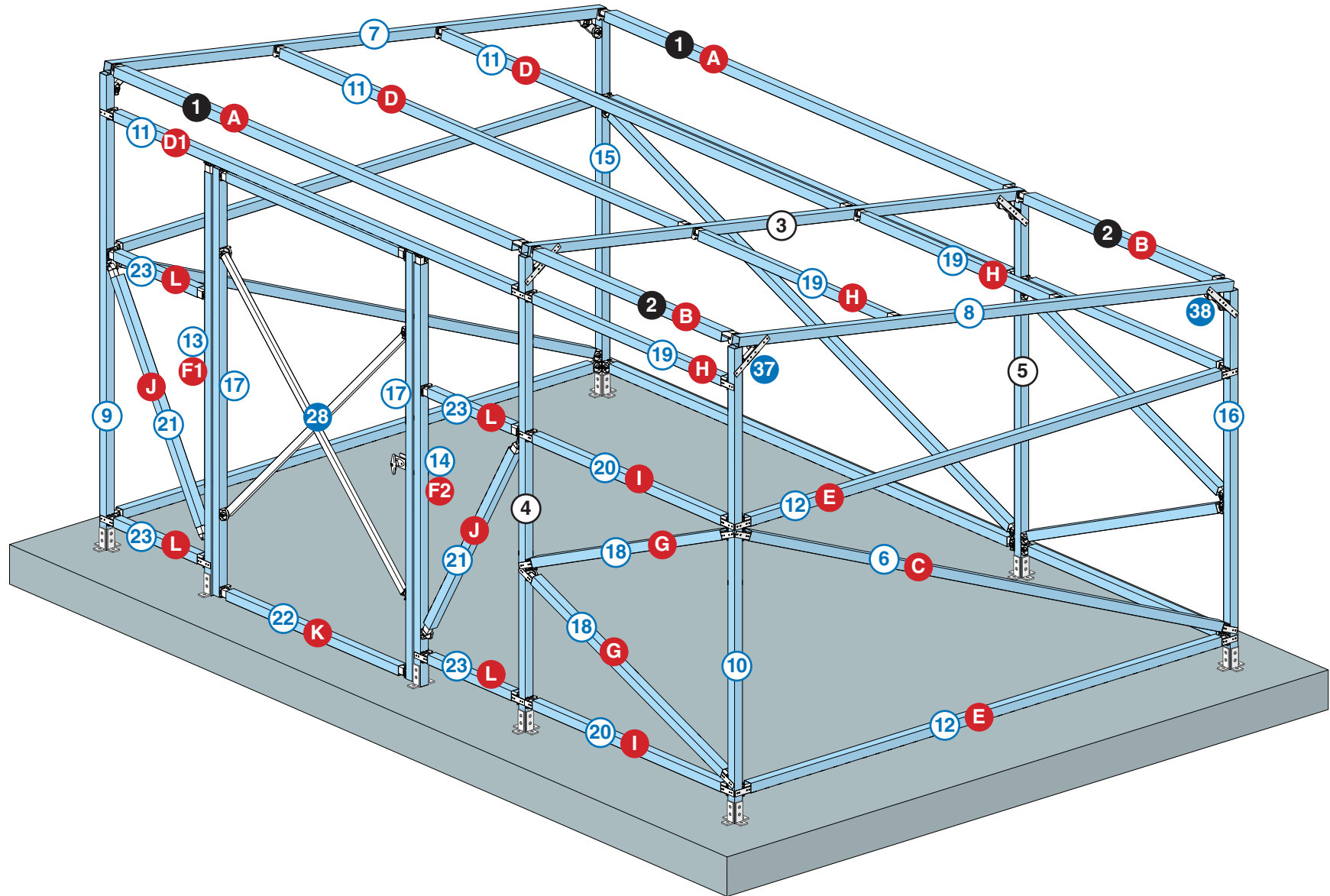
This Manual is designed to be only
used with Kwiktech
produced products.

No part of this Manual or the
Kwiktech product design may be
copied or reproduced without the
consent of Kwiktech Pty Ltd.

Construction using Kwiktech
products may require planning
approval. Always contact your Local
Council for the most up-to-date
rules and regulations for your area.

All dimensions are in millimeters
(mm)

www.kwiktech.com.au
© Kwiktech Pty Ltd 2022



NOTE: Some member ID's hidden for clarity.

Rail Assembly

'Classic Plus'

4.5m x 3m x 2.45m Shed
Extension - Right Side

User Manual

Read in conjunction with
Kwiktech Build Guide and
Kwiktech Tips & Tricks

Designed by



Engineered by



Rating: Region A

Rev 1.8

This Manual is the sole property of
Kwiktech Pty Ltd.
All rights are reserved.

This Manual is designed to be only
used with Kwiktech
produced products.

No part of this Manual or the
Kwiktech product design may be
copied or reproduced without the
consent of Kwiktech Pty Ltd.

Construction using Kwiktech
products may require planning
approval. Always contact your Local
Council for the most up-to-date
rules and regulations for your area.

All dimensions are in millimeters
(mm)

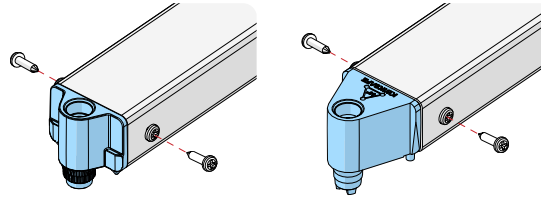
Rail Setup

Refer to build guide for
assembly details.

All members have a Standard
insert unless otherwise noted.

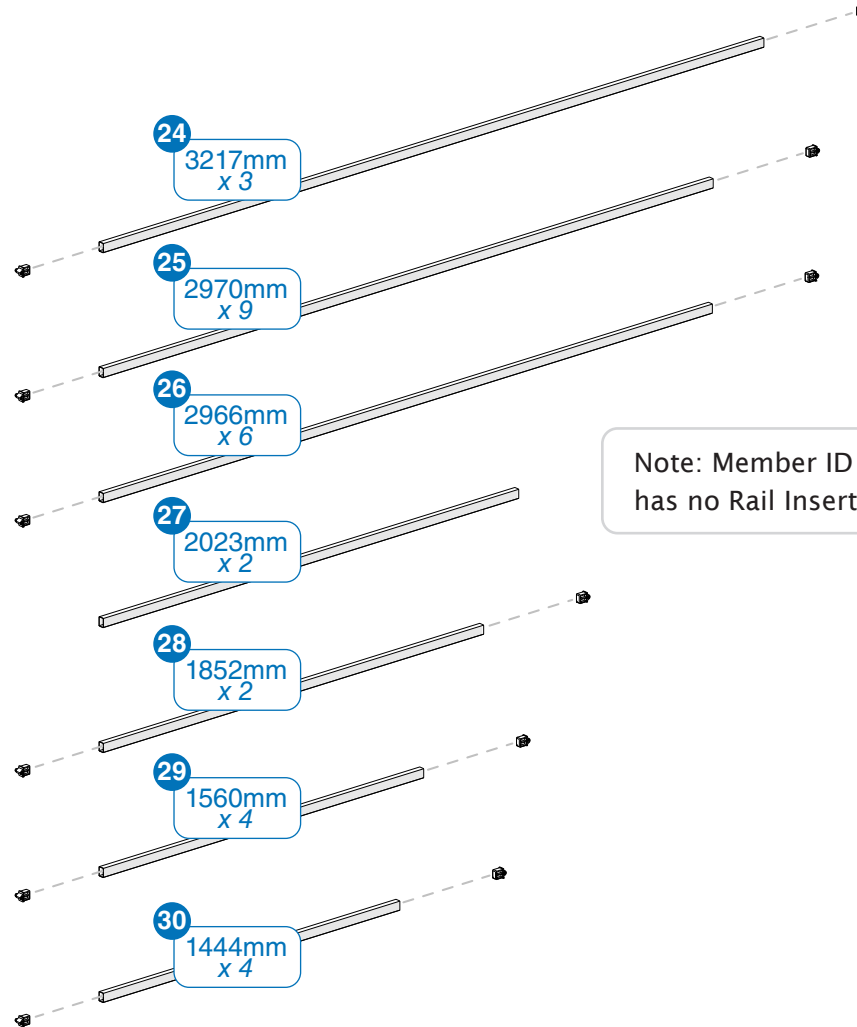
Mark item ID on each member.

RAIL INSERT TYPES

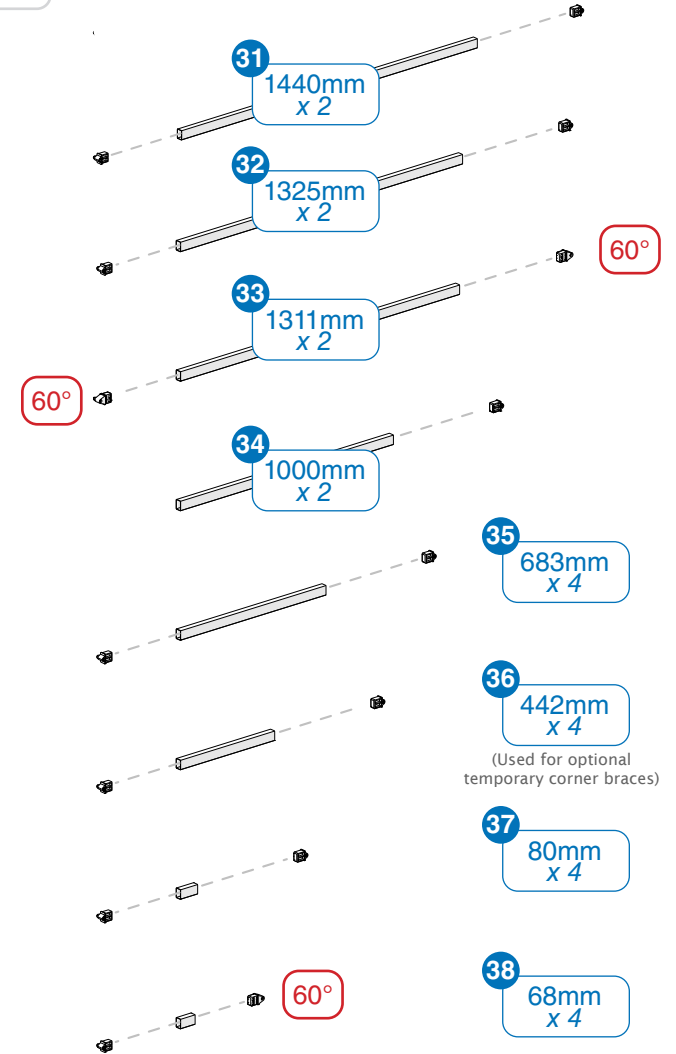


Standard

60°



Note: Member ID 27
has no Rail Inserts.



Approximate time
required: 2 Hours

Extra Strong Rail Assembly

'Classic Plus'
4.5m x 3m x 2.45m Shed
Extension - Right Side
User Manual

Read in conjunction with
Kwiktech Build Guide and
Kwiktech Tips & Tricks

Designed by



Engineered by



Rating: Region A

Rev 1.8

This Manual is the sole property of
Kwiktech Pty Ltd.
All rights are reserved.

This Manual is designed to be only
used with Kwiktech
produced products.

No part of this Manual or the
Kwiktech product design may be
copied or reproduced without the
consent of Kwiktech Pty Ltd.

Construction using Kwiktech
products may require planning
approval. Always contact your Local
Council for the most up-to-date
rules and regulations for your area.

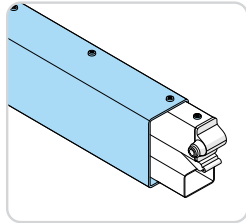
All dimensions are in millimeters
(mm)

www.kwiktech.com.au
© Kwiktech Pty Ltd 2022

Rail Setup

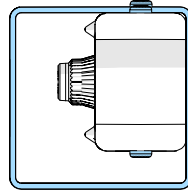
Refer to build guide for
assembly details.

Mark assembly ID
on each member.



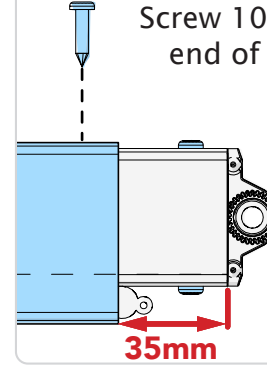
MEMBER ORIENTATION

38x25 in the
Top Left Corner



ENDS FIXING DETAIL

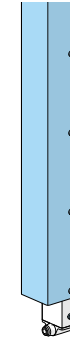
Screw 10mm from
end of 50x50.



Note: Use
Kiwktech
Wedge or
similar
wedge/shim

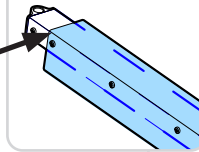
ENDS FIXING DETAIL

4 screws from 50x50
into 38x25. 100mm
spacing, both ends
for 38x25 full length
members.

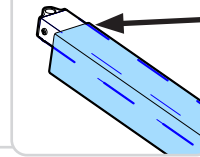


Use spare member **38**
as a spacing wedge
to position the
38x25 inside the
75x50

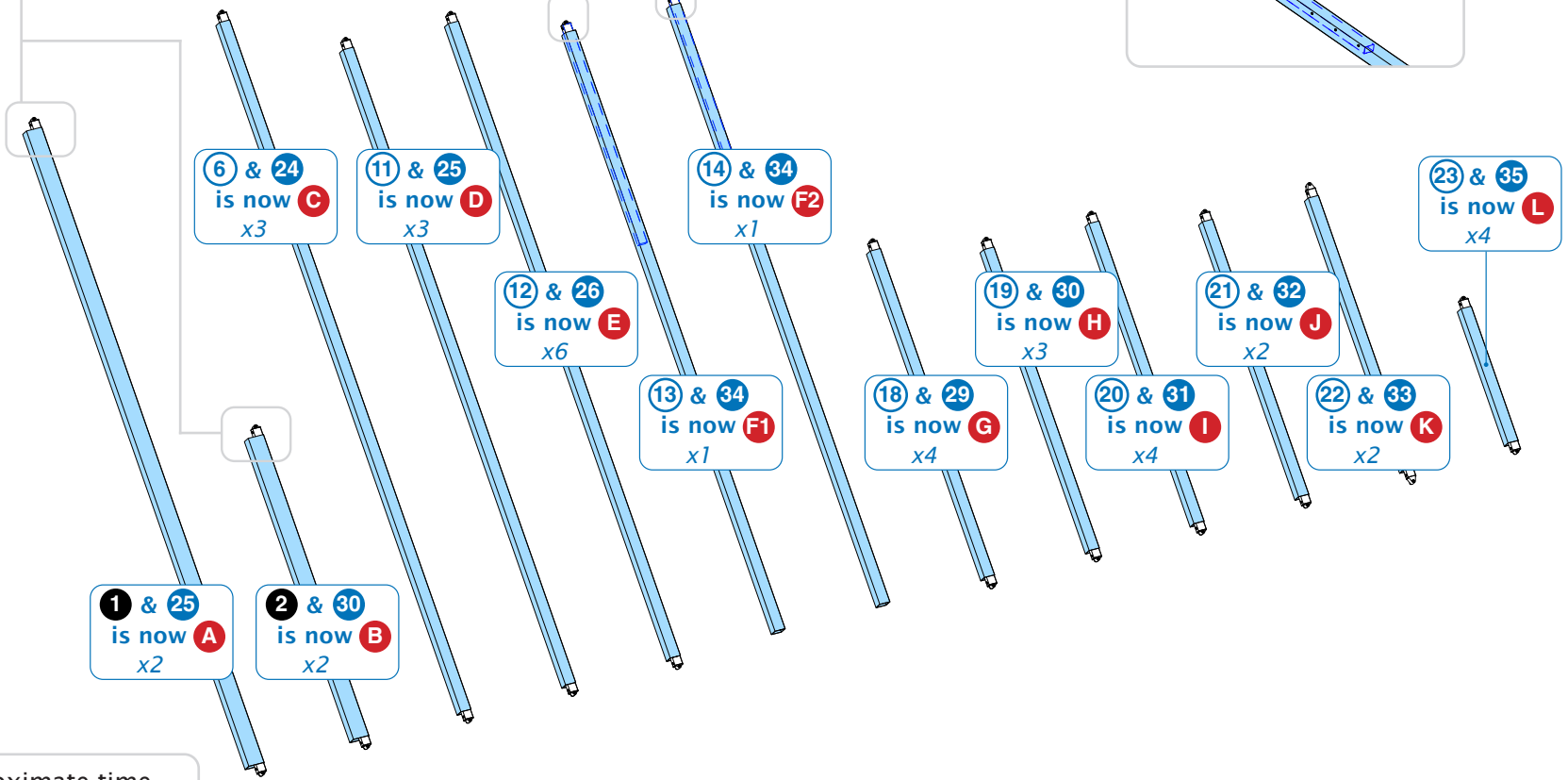
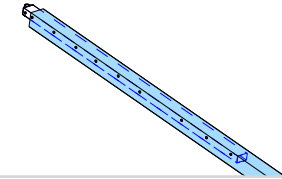
Align
edge



Align
edge



Typical number of
screws



Approximate time
required: 3 Hours

Universal Connector Locations

'Classic Plus'

4.5m x 3m x 2.45m Shed
Extension - Right Side

User Manual

Read in conjunction with
Kwiktech Build Guide and
Kwiktech Tips & Tricks

Designed by



Engineered by



Rating: Region A

Rev 1.8

This Manual is the sole property of
Kwiktech Pty Ltd.
All rights are reserved.

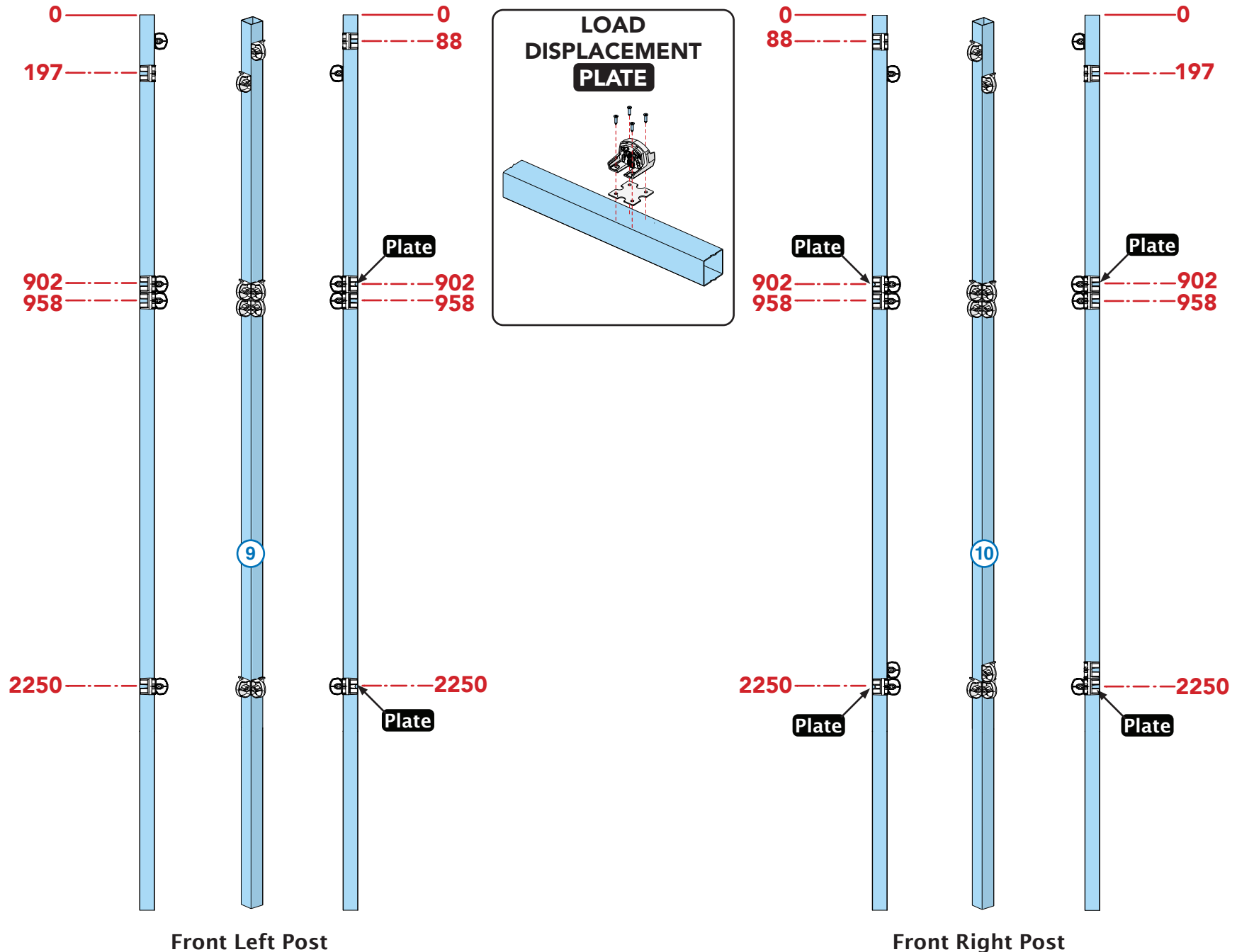
This Manual is designed to be only
used with Kwiktech
produced products.

No part of this Manual or the
Kwiktech product design may be
copied or reproduced without the
consent of Kwiktech Pty Ltd.

Construction using Kwiktech
products may require planning
approval. Always contact your Local
Council for the most up-to-date
rules and regulations for your area.

All dimensions are in millimeters
(mm)

www.kwiktech.com.au
© Kwiktech Pty Ltd 2022



Approximate time
required: 1 Hour

Universal Connector Locations

'Classic Plus'

4.5m x 3m x 2.45m Shed
Extension - Right Side

User Manual

Read in conjunction with
Kwiktech Build Guide and
Kwiktech Tips & Tricks

Designed by

kwiktech.

Engineered by

sbec. SCHMIDT
BENTLEY
ENGINEERING
CONSULTING

Rating: Region A

Rev 1.8

This Manual is the sole property of
Kwiktech Pty Ltd.
All rights are reserved.

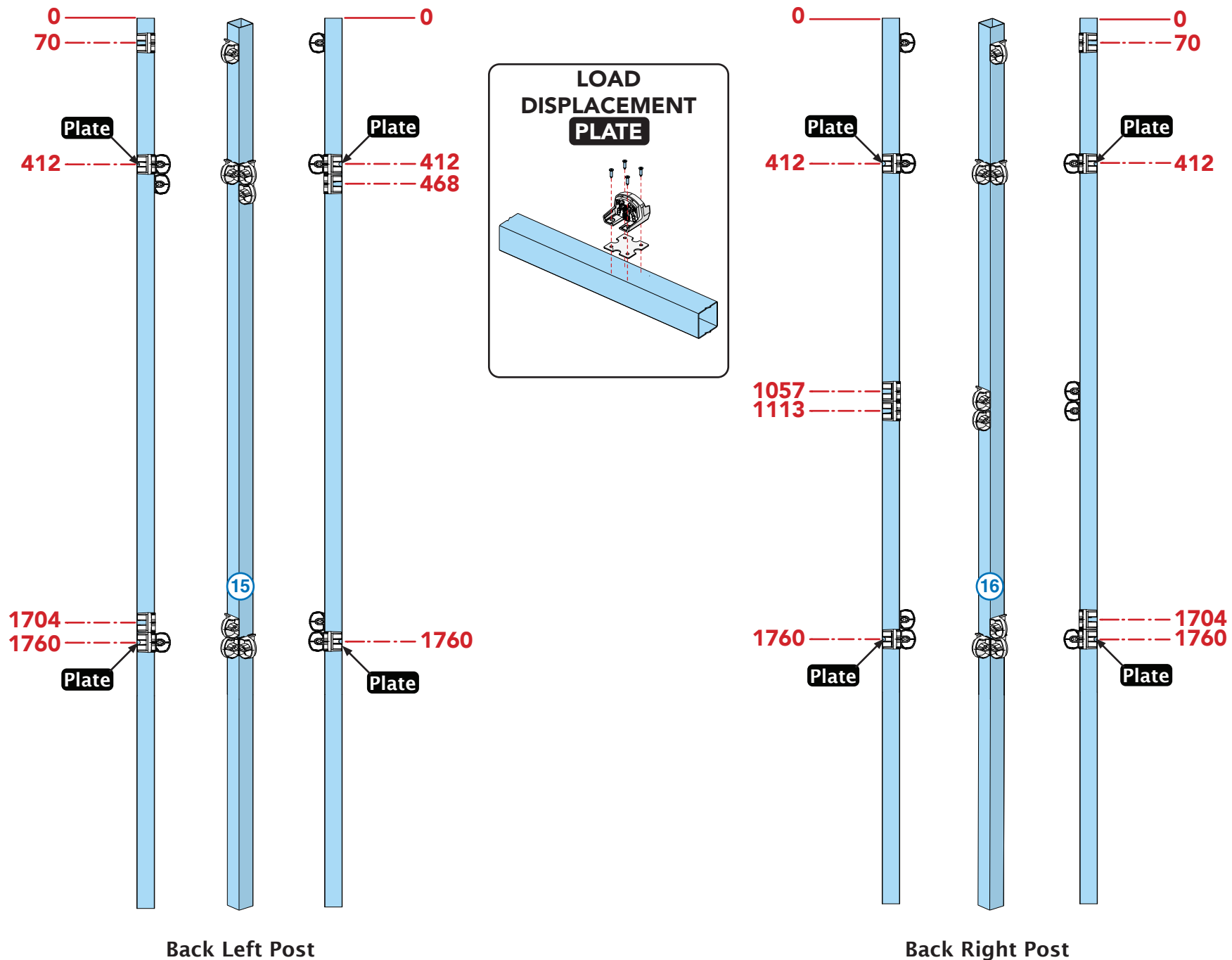
This Manual is designed to be only
used with Kwiktech
produced products.

No part of this Manual or the
Kwiktech product design may be
copied or reproduced without the
consent of Kwiktech Pty Ltd.

Construction using Kwiktech
products may require planning
approval. Always contact your Local
Council for the most up-to-date
rules and regulations for your area.

All dimensions are in millimeters
(mm)

www.kwiktech.com.au
© Kwiktech Pty Ltd 2022



Approximate time
required: 1 Hour

Universal Connector Locations

'Classic Plus'

4.5m x 3m x 2.45m Shed
Extension - Right Side

User Manual

Read in conjunction with
Kwiktech Build Guide and
Kwiktech Tips & Tricks

Designed by

kwiktech.

Engineered by

sbec. SCHMIDT
BENTLEY
ENGINEERING
CONSULTING

Rating: Region A

Rev 1.8

This Manual is the sole property of
Kwiktech Pty Ltd.
All rights are reserved.

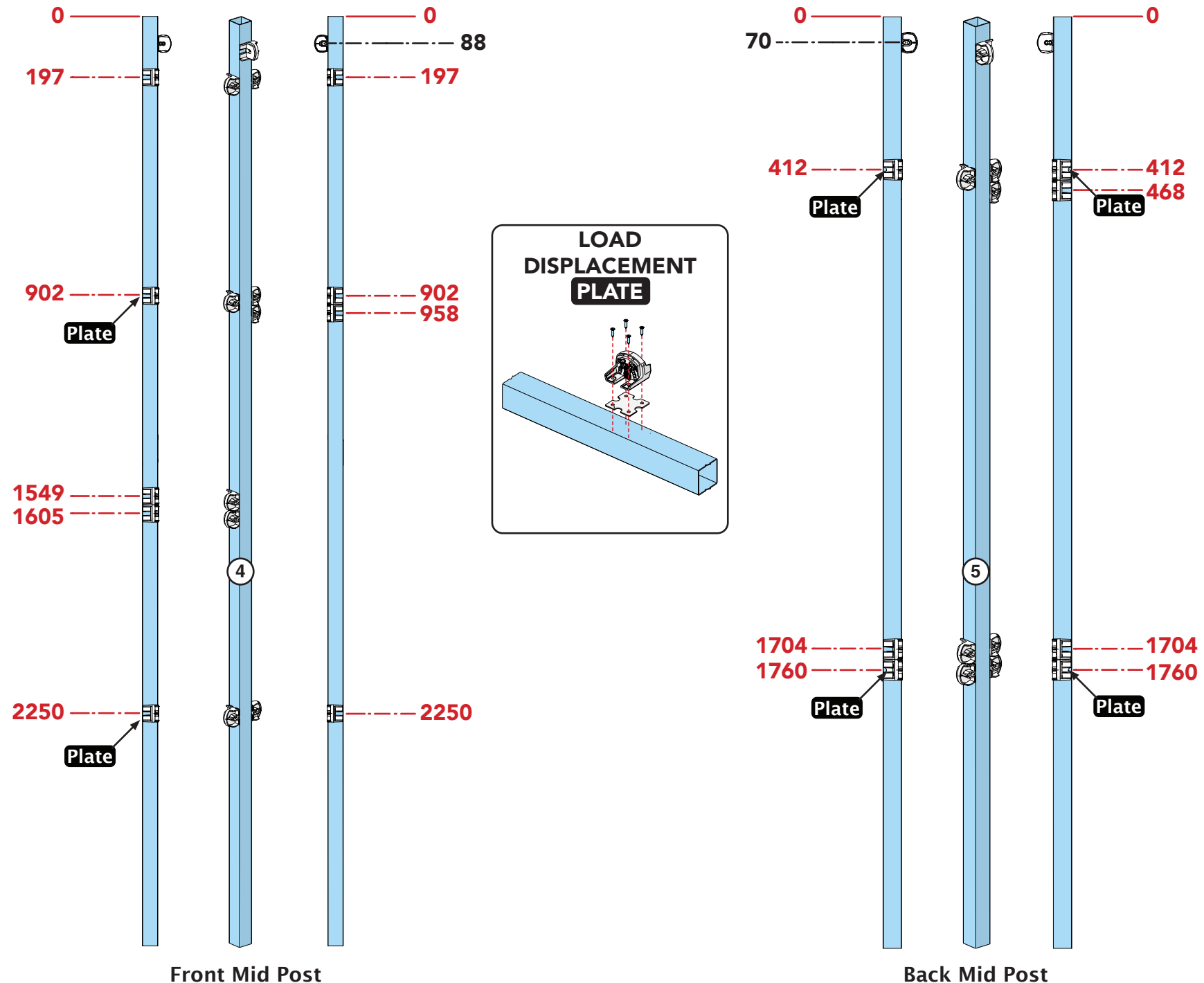
This Manual is designed to be only
used with Kwiktech
produced products.

No part of this Manual or the
Kwiktech product design may be
copied or reproduced without the
consent of Kwiktech Pty Ltd.

Construction using Kwiktech
products may require planning
approval. Always contact your Local
Council for the most up-to-date
rules and regulations for your area.

All dimensions are in millimeters
(mm)

www.kwiktech.com.au
© Kwiktech Pty Ltd 2022



Approximate time
required: 1 Hour

Universal Connector Locations

'Classic Plus'

4.5m x 3m x 2.45m Shed
Extension - Right Side

User Manual

Read in conjunction with
Kwiktech Build Guide and
Kwiktech Tips & Tricks

Designed by

kwiktech.

Engineered by

sbec. SCHMIDT
BENTLEY
ENGINEERING
CONSULTING

Rating: Region A

Rev 1.8

This Manual is the sole property of
Kwiktech Pty Ltd.
All rights are reserved.

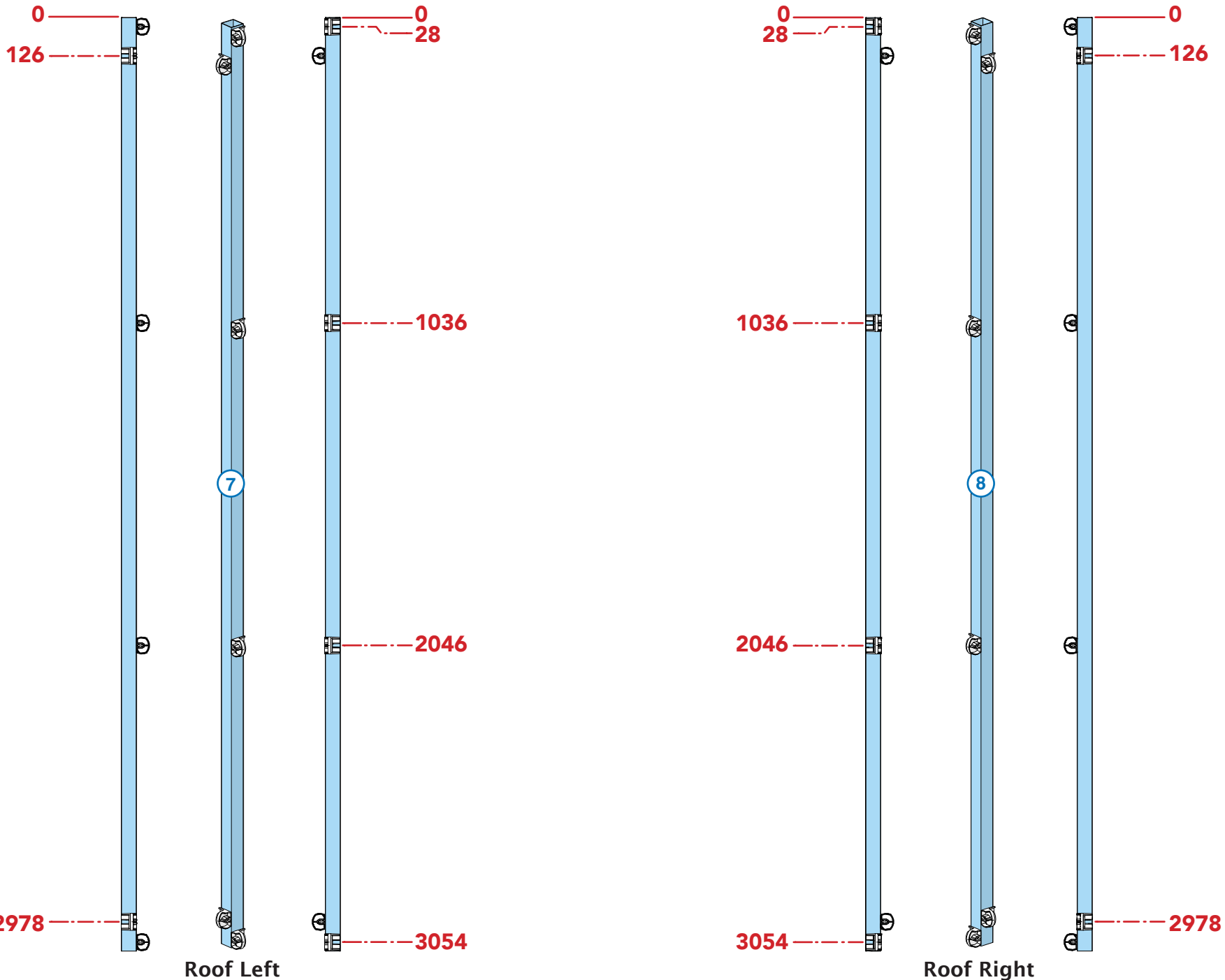
This Manual is designed to be only
used with Kwiktech
produced products.

No part of this Manual or the
Kwiktech product design may be
copied or reproduced without the
consent of Kwiktech Pty Ltd.

Construction using Kwiktech
products may require planning
approval. Always contact your Local
Council for the most up-to-date
rules and regulations for your area.

All dimensions are in millimeters
(mm)

www.kwiktech.com.au
© Kwiktech Pty Ltd 2022



Approximate time
required: 1 Hour

Universal Connector Locations

'Classic Plus'

4.5m x 3m x 2.45m Shed
Extension - Right Side

User Manual

Read in conjunction with
Kwiktech Build Guide and
Kwiktech Tips & Tricks

Designed by

kwiktech.

Engineered by

sbec. SCHMIDT
BENTLEY
ENGINEERING
CONSULTING

Rating: Region A

Rev 1.8

This Manual is the sole property of
Kwiktech Pty Ltd.
All rights are reserved.

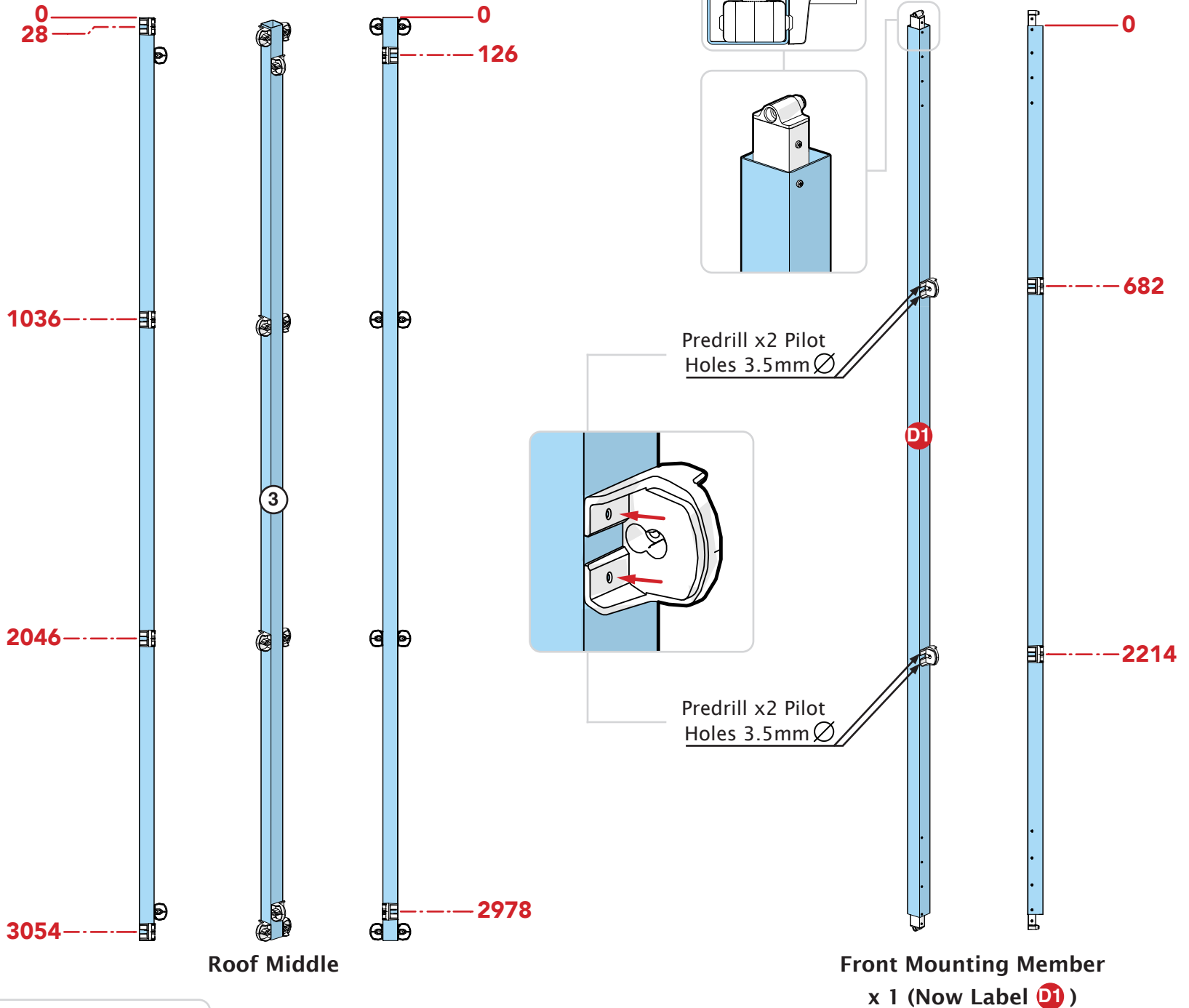
This Manual is designed to be only
used with Kwiktech
produced products.

No part of this Manual or the
Kwiktech product design may be
copied or reproduced without the
consent of Kwiktech Pty Ltd.

Construction using Kwiktech
products may require planning
approval. Always contact your Local
Council for the most up-to-date
rules and regulations for your area.

All dimensions are in millimeters
(mm)

www.kwiktech.com.au
© Kwiktech Pty Ltd 2022



Approximate time
required: 0.75 Hour

Universal Connector Locations

'Classic Plus'

4.5m x 3m x 2.45m Shed
Extension - Right Side

User Manual

Read in conjunction with
Kwiktech Build Guide and
Kwiktech Tips & Tricks

Designed by

kwiktech.

Engineered by

sbec. SCHMIDT
BENTLEY
ENGINEERING
CONSULTING

Rating: Region A

Rev 1.8

This Manual is the sole property of
Kwiktech Pty Ltd.
All rights are reserved.

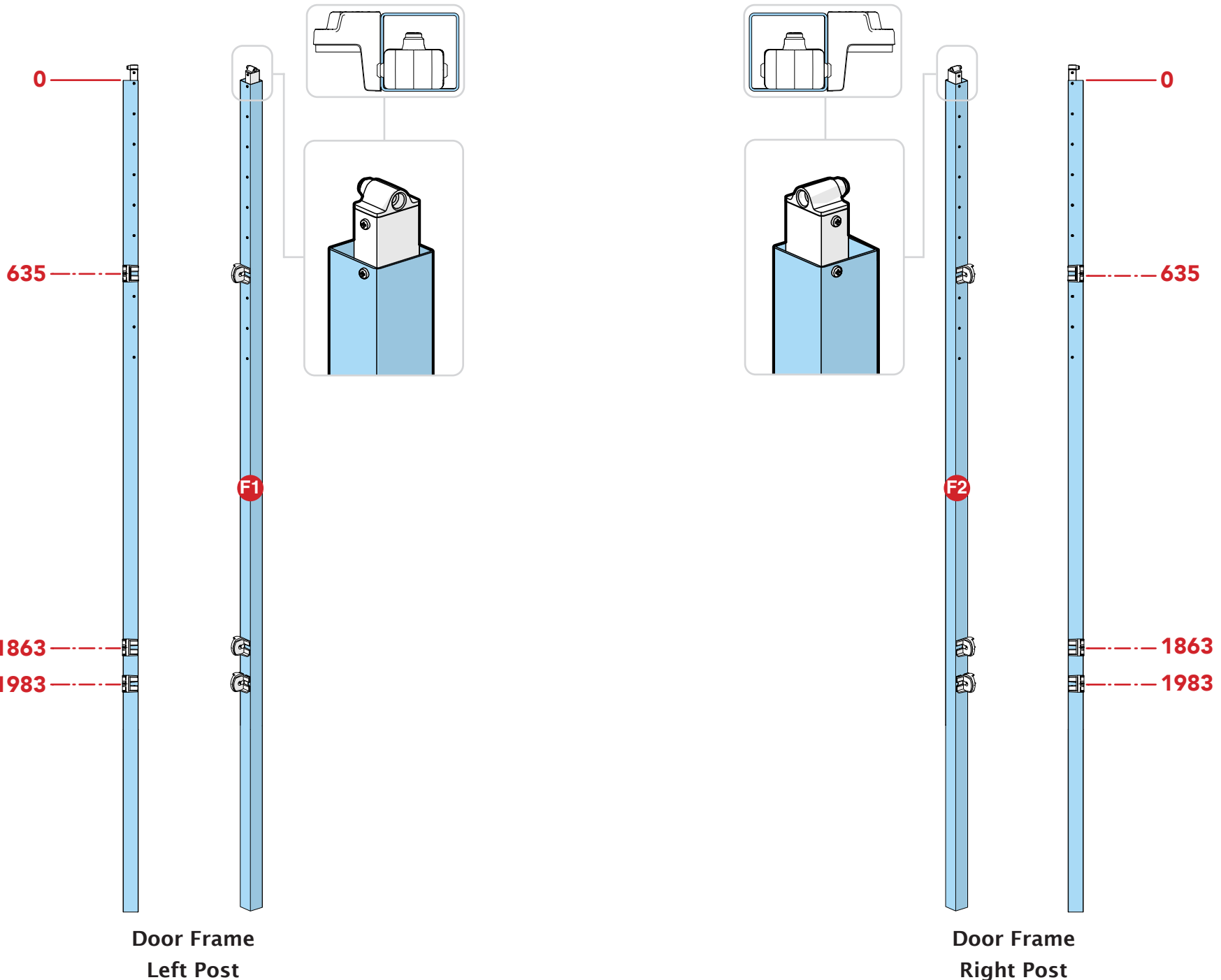
This Manual is designed to be only
used with Kwiktech
produced products.

No part of this Manual or the
Kwiktech product design may be
copied or reproduced without the
consent of Kwiktech Pty Ltd.

Construction using Kwiktech
products may require planning
approval. Always contact your Local
Council for the most up-to-date
rules and regulations for your area.

All dimensions are in millimeters
(mm)

www.kwiktech.com.au
© Kwiktech Pty Ltd 2022



Approximate time
required: 0.25 Hours

Door Post Stopper

'Classic Plus'
4.5m x 3m x 2.45m Shed
Extension - Right Side
User Manual

Read in conjunction with
Kwiktech Build Guide and
Kwiktech Tips & Tricks

Designed by



Engineered by



Rating: Region A

Rev 1.8

This Manual is the sole property of
Kwiktech Pty Ltd.
All rights are reserved.

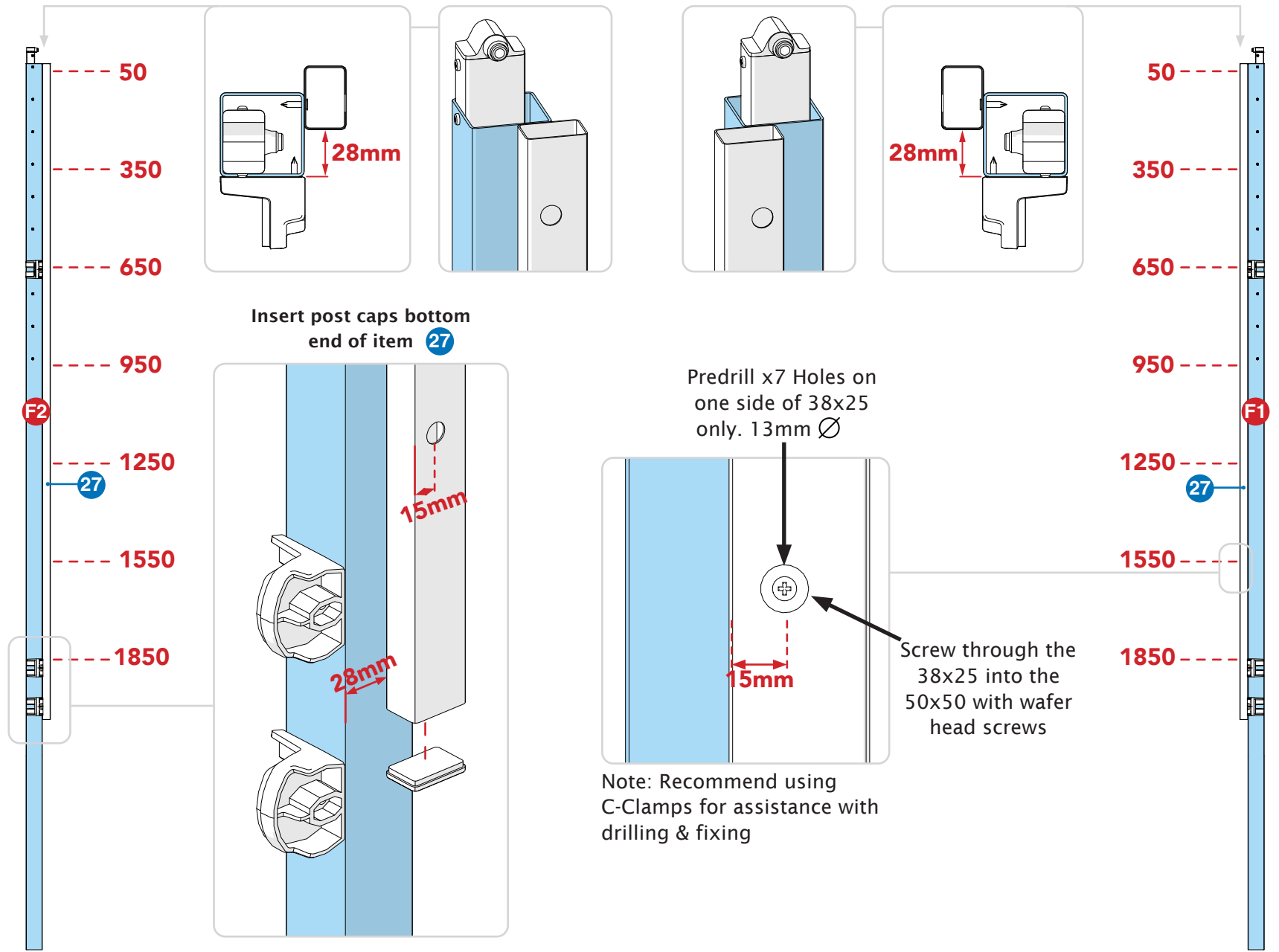
This Manual is designed to be only
used with Kwiktech
produced products.

No part of this Manual or the
Kwiktech product design may be
copied or reproduced without the
consent of Kwiktech Pty Ltd.

Construction using Kwiktech
products may require planning
approval. Always contact your Local
Council for the most up-to-date
rules and regulations for your area.

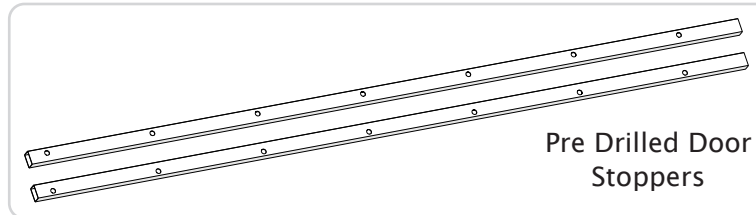
All dimensions are in millimeters
(mm)

www.kwiktech.com.au
© Kwiktech Pty Ltd 2022



Door Frame
Right Post

Door Frame
Left Post



Approximate time
required: 0.75 Hours

Universal Connector Locations

'Classic Plus'

4.5m x 3m x 2.45m Shed
Extension - Right Side

User Manual

Read in conjunction with
Kwiktech Build Guide and
Kwiktech Tips & Tricks

Designed by

kwiktech.

Engineered by

sbec. SCHMIDT
BENTLEY
ENGINEERING
CONSULTING

Rating: Region A

Rev 1.8

This Manual is the sole property of
Kwiktech Pty Ltd.
All rights are reserved.

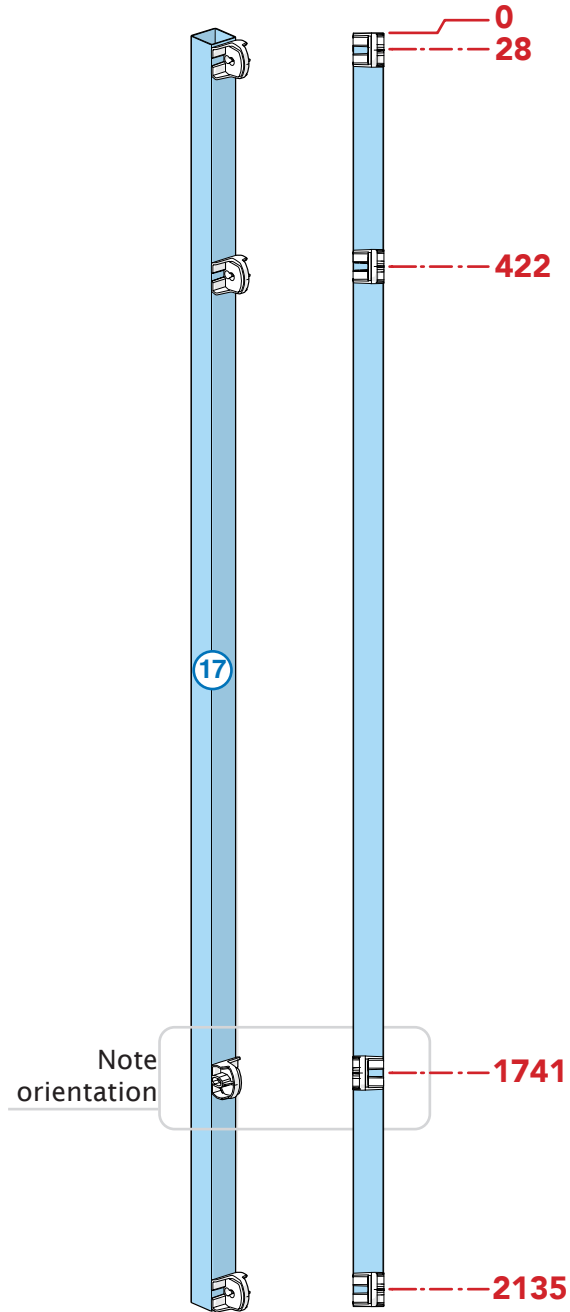
This Manual is designed to be only
used with Kwiktech
produced products.

No part of this Manual or the
Kwiktech product design may be
copied or reproduced without the
consent of Kwiktech Pty Ltd.

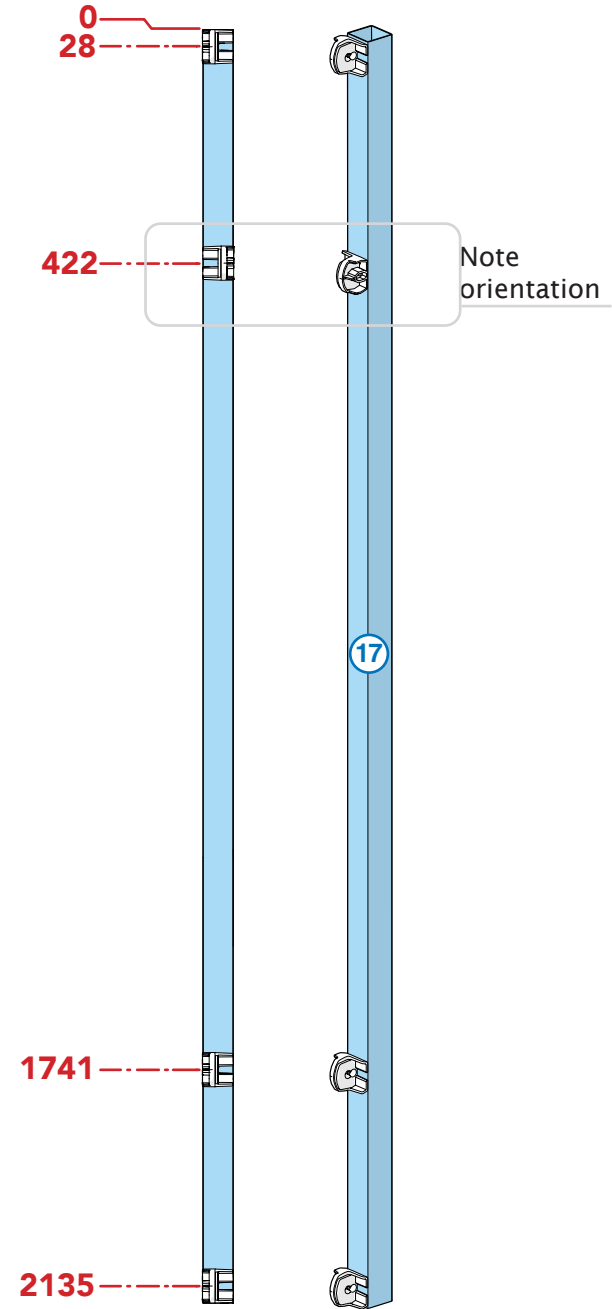
Construction using Kwiktech
products may require planning
approval. Always contact your Local
Council for the most up-to-date
rules and regulations for your area.

All dimensions are in millimeters
(mm)

www.kwiktech.com.au
© Kwiktech Pty Ltd 2022



Door Left Post



Door Right Post

Approximate time
required: 0.25 Hours

Ground Fixing Details

'Classic Plus'
4.5m x 3m x 2.45m Shed
Extension - Right Side

User Manual

Read in conjunction with
Kwiktech Build Guide and
Kwiktech Tips & Tricks

Designed by

kwiktech.

Engineered by

sbec. SCHMIDT
BENTLEY
ENGINEERING
CONSULTING

Rating: Region A

Rev 1.8

This Manual is the sole property of
Kwiktech Pty Ltd.
All rights are reserved.

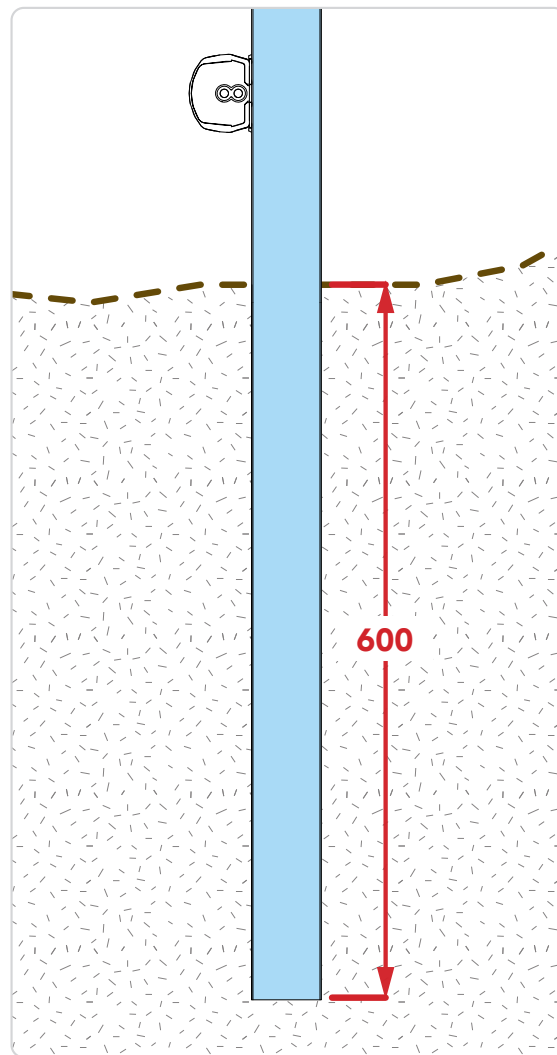
This Manual is designed to be only
used with Kwiktech
produced products.

No part of this Manual or the
Kwiktech product design may be
copied or reproduced without the
consent of Kwiktech Pty Ltd.

Construction using Kwiktech
products may require planning
approval. Always contact your Local
Council for the most up-to-date
rules and regulations for your area.

All dimensions are in millimeters
(mm)

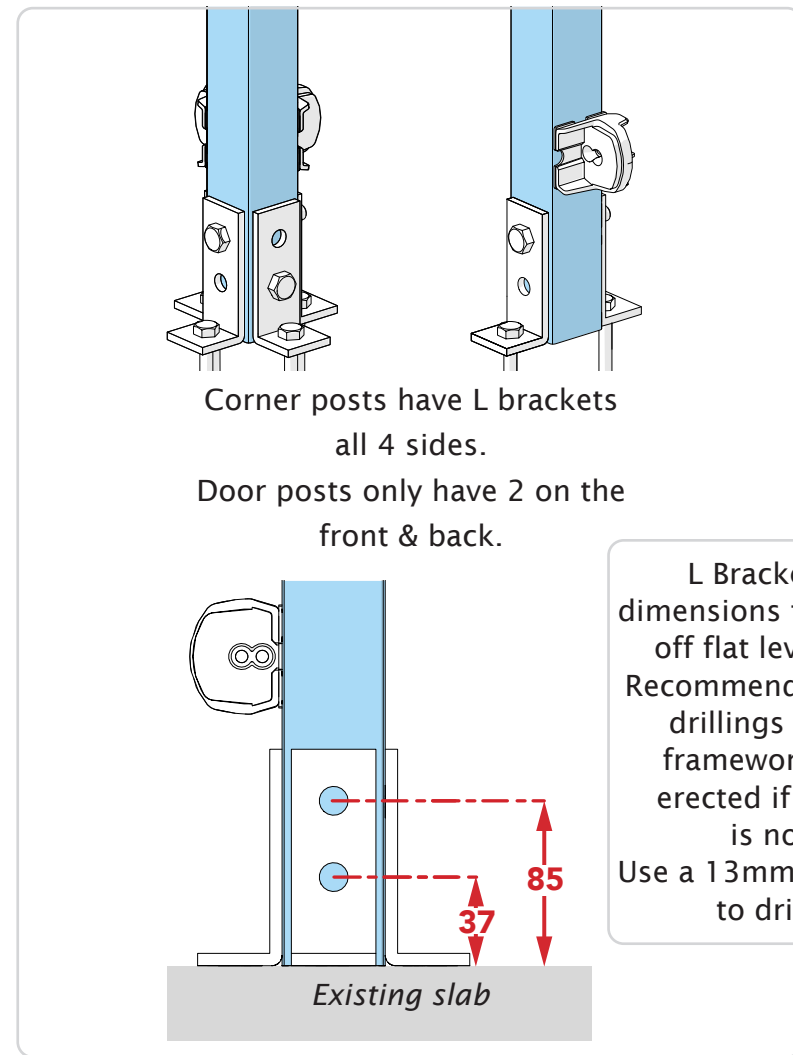
www.kwiktech.com.au
© Kwiktech Pty Ltd 2022



Primary Post Fixing Method

600mm embedment into ground x
either 450mm diameter OR 400mm
square hole.

Concrete minimum compressive
strength of 15 MPa.
(Applies to both fixing scenarios)



Corner posts have L brackets
all 4 sides.

Door posts only have 2 on the
front & back.

L Bracket drilling
dimensions for post based
off flat level surfaces.
Recommend marking and
drillings holes after
framework has been
erected if the surface
is not level.
Use a 13mm metal drill bit
to drill hole.

Secondary Post Fixing Method

Assumed existing slab to be minimum 100mm thick &
in sound structural condition.

L Bracket fixed to posts via m12x75 4.6 Hex Head Galv
Bolt/Nut. Use a 13mm metal drill bit to drill hole.

Fixed into concrete with 4 x Dynabolt DP12100GH
M10 12x100mm Galv Hex Nut, 70mm min edge
distance. Use a 12mm masonry drill bit to drill hole.

Ground Fixing Details

'Classic Plus'
4.5m x 3m x 2.45m Shed
Extension - Right Side
User Manual

Read in conjunction with
Kwiktech Build Guide and
Kwiktech Tips & Tricks

Designed by



Engineered by



Rating: Region A

Rev 1.8

This Manual is the sole property of
Kwiktech Pty Ltd.
All rights are reserved.

This Manual is designed to be only
used with Kwiktech
produced products.

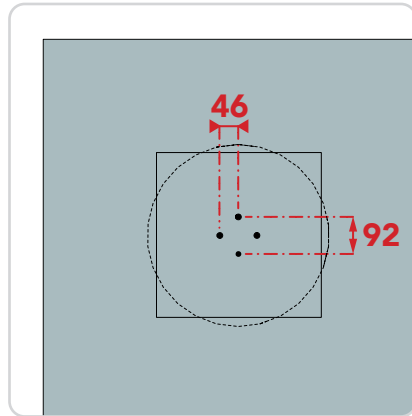
No part of this Manual or the
Kwiktech product design may be
copied or reproduced without the
consent of Kwiktech Pty Ltd.

Construction using Kwiktech
products may require planning
approval. Always contact your Local
Council for the most up-to-date
rules and regulations for your area.

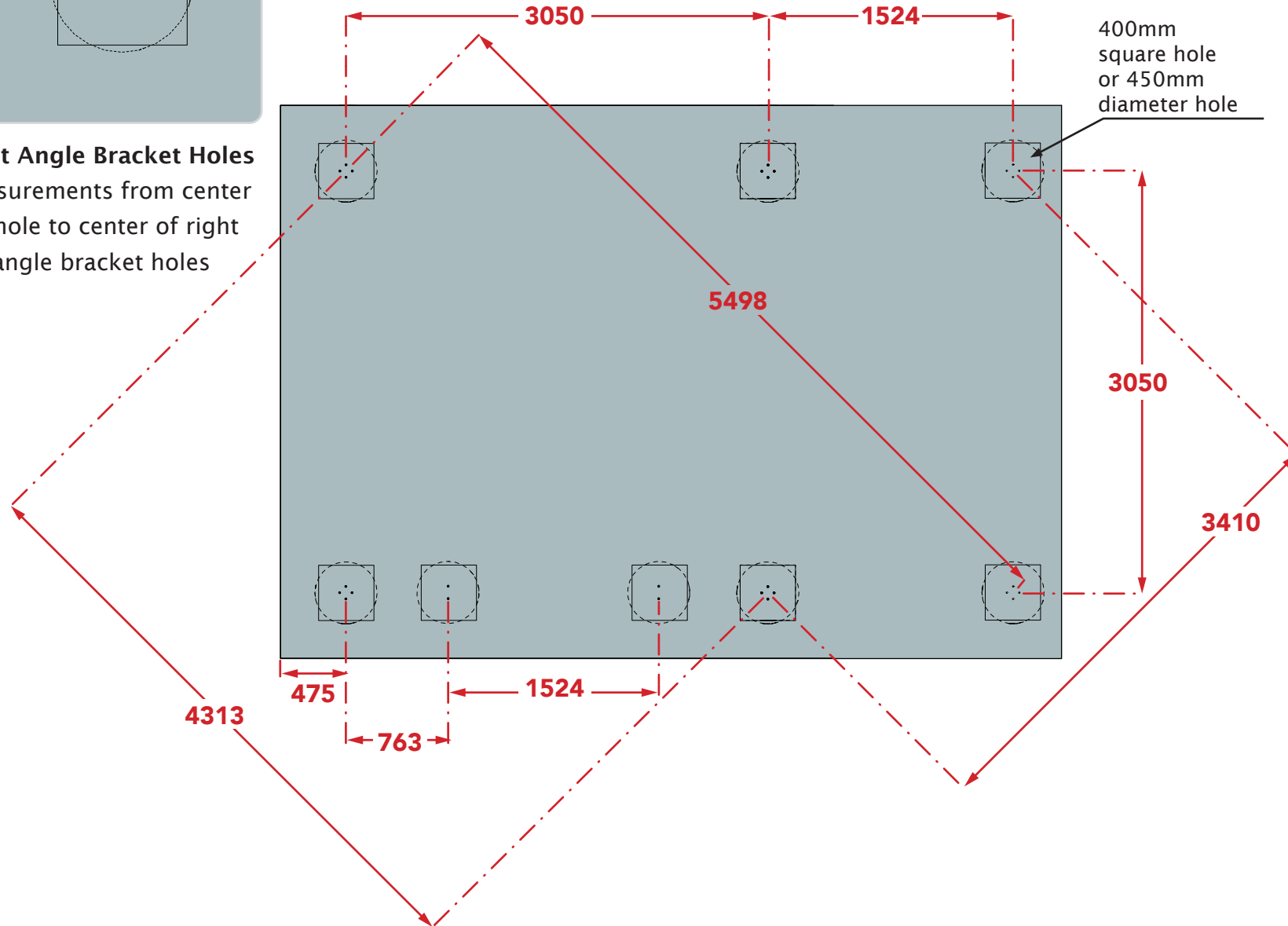
All dimensions are in millimeters
(mm)

Hole measurements

All measurements from center of hole



Right Angle Bracket Holes
Measurements from center
of hole to center of right
angle bracket holes



Assembly Sequence

'Classic Plus'

4.5m x 3m x 2.45m Shed
Extension - Right Side

User Manual

Read in conjunction with
Kwiktech Build Guide and
Kwiktech Tips & Tricks

Designed by

kwiktech.

Engineered by

sbec. SCHMIDT
BENTLEY
ENGINEERING
CONSULTING

Rating: Region A

Rev 1.8

This Manual is the sole property of
Kwiktech Pty Ltd.
All rights are reserved.

This Manual is designed to be only
used with Kwiktech
produced products.

No part of this Manual or the
Kwiktech product design may be
copied or reproduced without the
consent of Kwiktech Pty Ltd.

Construction using Kwiktech
products may require planning
approval. Always contact your Local
Council for the most up-to-date
rules and regulations for your area.

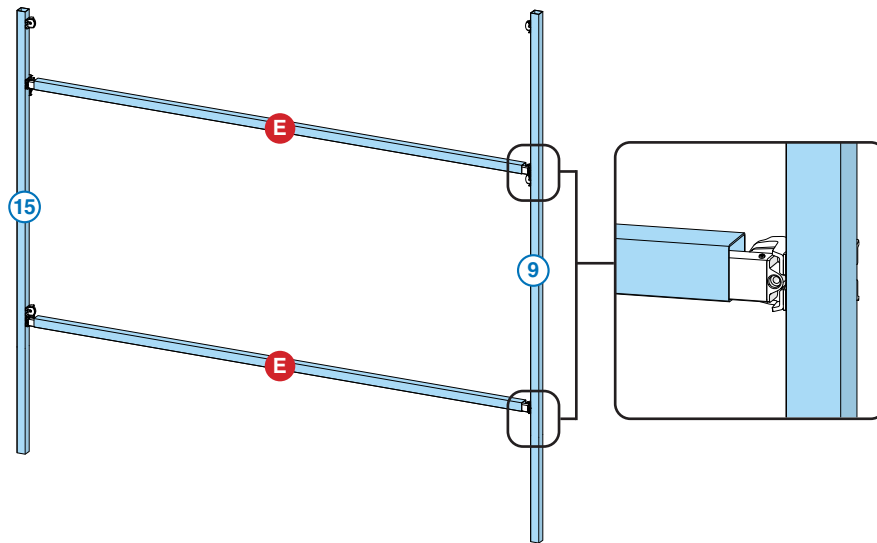
All dimensions are in millimeters
(mm)

www.kwiktech.com.au
© Kwiktech Pty Ltd 2022

Build Left Wall Construct on the ground. (Images show frames upright for clarity)

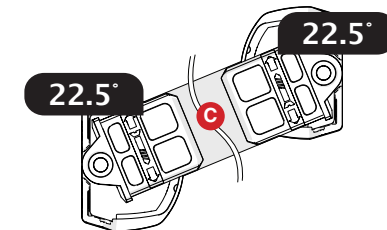
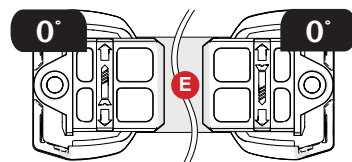
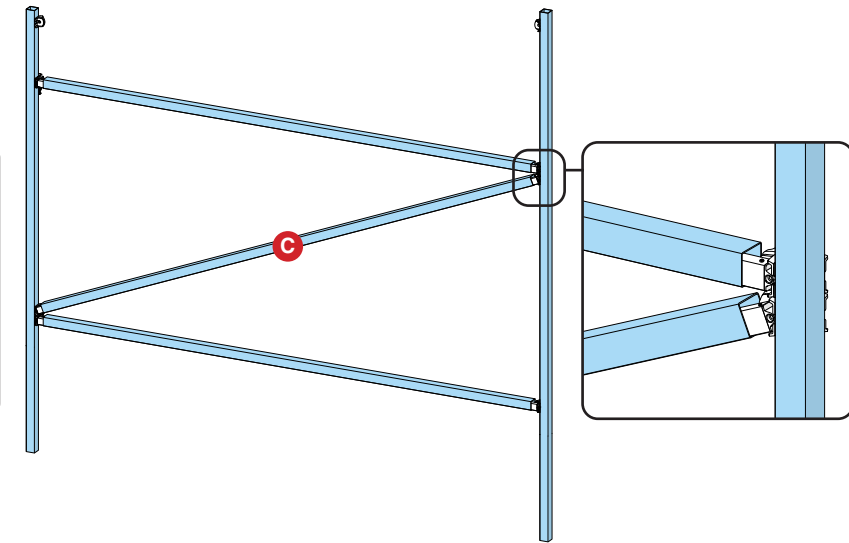
Step 1

Attach 2 rail items below



Step 2

Attach the rail below



Approximate time
required: 0.25 Hours

Assembly Sequence

'Classic Plus'

4.5m x 3m x 2.45m Shed
Extension - Right Side

User Manual

Read in conjunction with
Kwiktech Build Guide and
Kwiktech Tips & Tricks

Designed by



Engineered by



Rating: Region A

Rev 1.8

This Manual is the sole property of
Kwiktech Pty Ltd.
All rights are reserved.

This Manual is designed to be only
used with Kwiktech
produced products.

No part of this Manual or the
Kwiktech product design may be
copied or reproduced without the
consent of Kwiktech Pty Ltd.

Construction using Kwiktech
products may require planning
approval. Always contact your Local
Council for the most up-to-date
rules and regulations for your area.

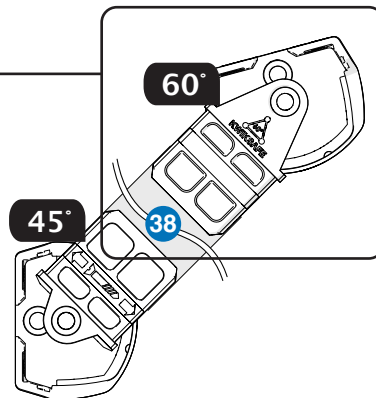
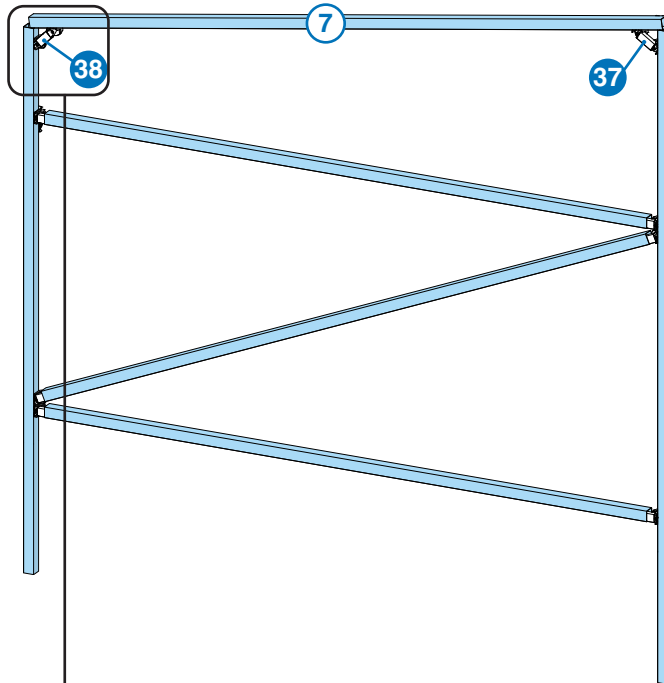
All dimensions are in millimeters
(mm)

Build Left Wall

Construct on the ground.
(Images show frames upright for clarity)

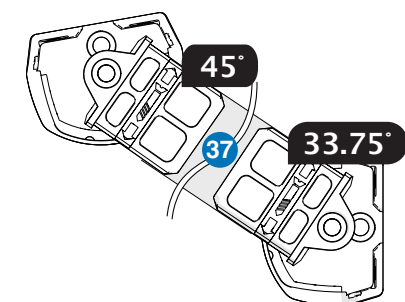
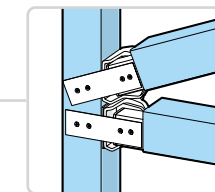
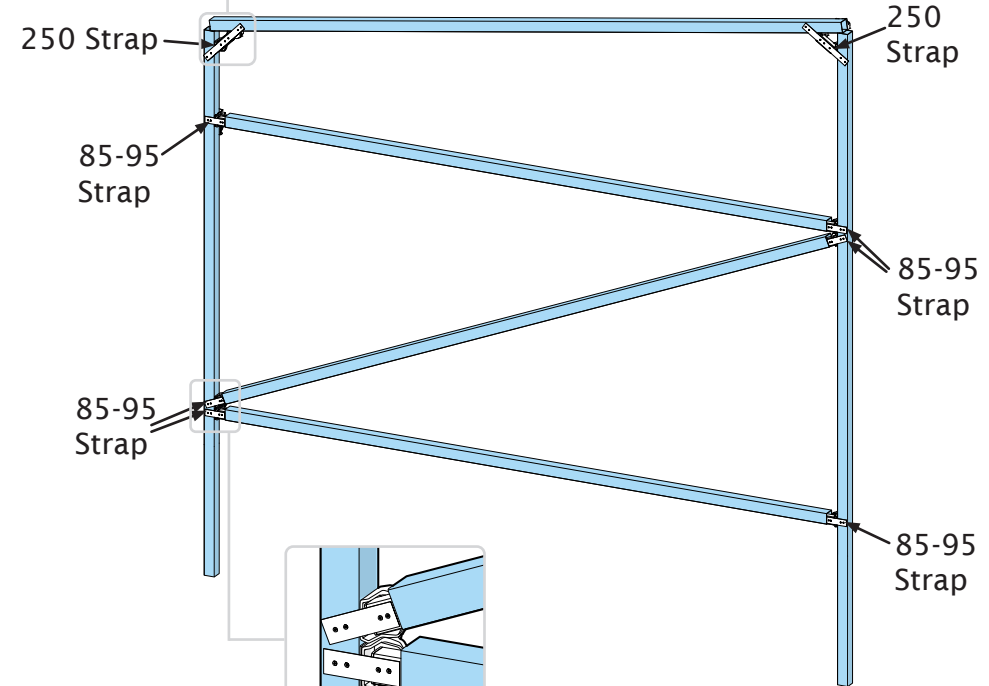
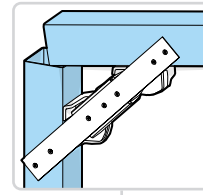
Step 3

Attach 3 rail items below



Step 4

Fix tension strapping to framing



Approximate time
required: 0.25 Hours

Assembly Sequence

'Classic Plus'

4.5m x 3m x 2.45m Shed
Extension - Right Side

User Manual

Read in conjunction with
Kwiktech Build Guide and
Kwiktech Tips & Tricks

Designed by

kwiktech.

Engineered by

sbec. SCHMIDT
BENTLEY
ENGINEERING
CONSULTING

Rating: Region A

Rev 1.8

This Manual is the sole property of
Kwiktech Pty Ltd.
All rights are reserved.

This Manual is designed to be only
used with Kwiktech
produced products.

No part of this Manual or the
Kwiktech product design may be
copied or reproduced without the
consent of Kwiktech Pty Ltd.

Construction using Kwiktech
products may require planning
approval. Always contact your Local
Council for the most up-to-date
rules and regulations for your area.

All dimensions are in millimeters
(mm)

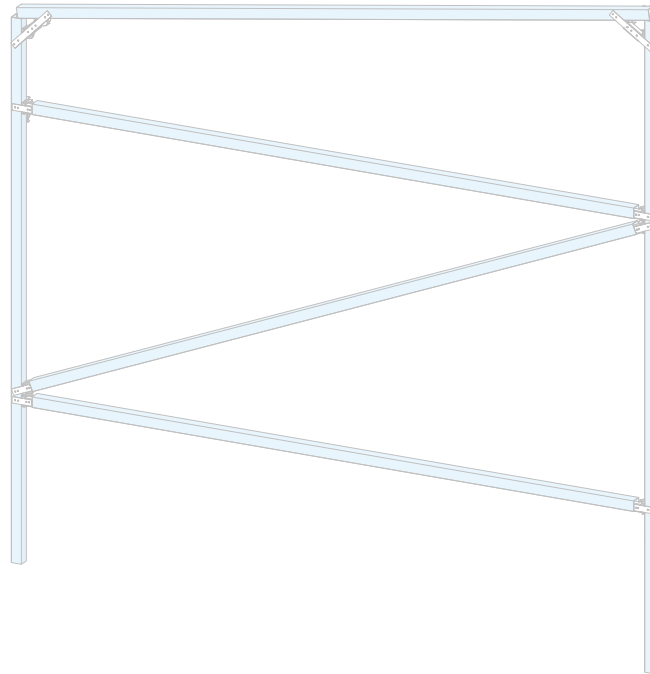
www.kwiktech.com.au
© Kwiktech Pty Ltd 2022

Build Right Wall

Right side assembly steps the
same as the left but mirrored.

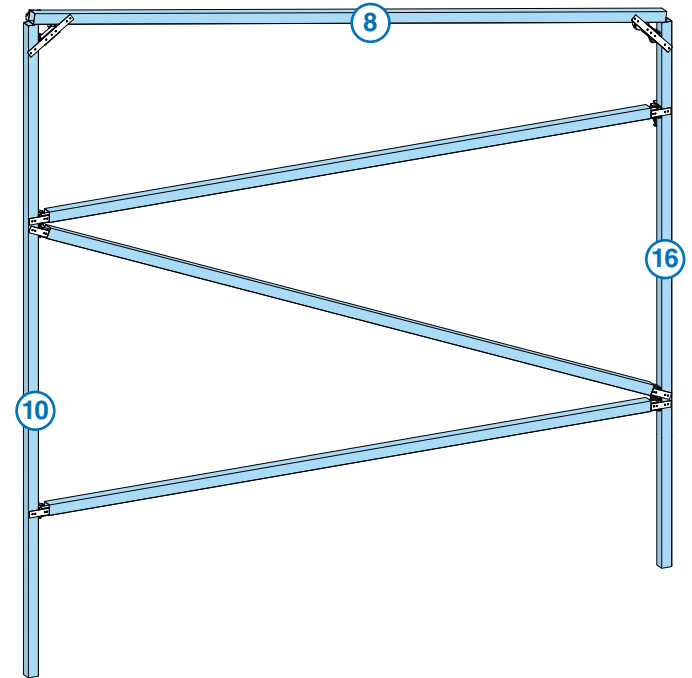
Step 5

Left wall finished



Step 6

Repeat previous steps for right wall



Approximate time
required: 0.5 Hours

Fix together with Back

Assembly Sequence

'Classic Plus'

4.5m x 3m x 2.45m Shed Extension - Right Side

User Manual

Read in conjunction with Kwiktech Build Guide and Kwiktech Tips & Tricks

Designed by



Engineered by



Rating: Region A

Rev 1.8

This Manual is the sole property of Kwiktech Pty Ltd. All rights are reserved.

This Manual is designed to be only used with Kwiktech produced products.

No part of this Manual or the Kwiktech product design may be copied or reproduced without the consent of Kwiktech Pty Ltd.

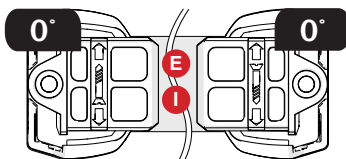
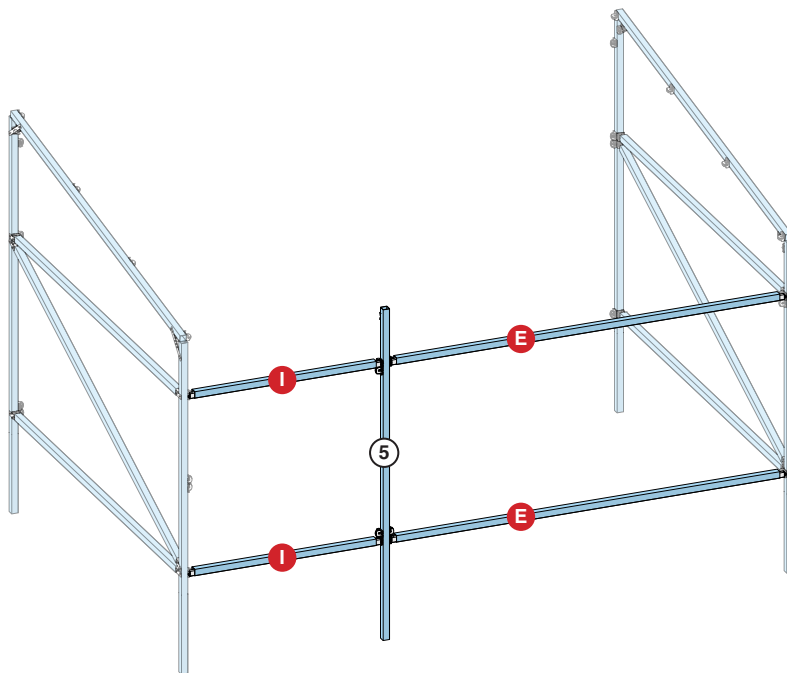
Construction using Kwiktech products may require planning approval. Always contact your Local Council for the most up-to-date rules and regulations for your area.

All dimensions are in millimeters (mm)

www.kwiktech.com.au
© Kwiktech Pty Ltd 2022

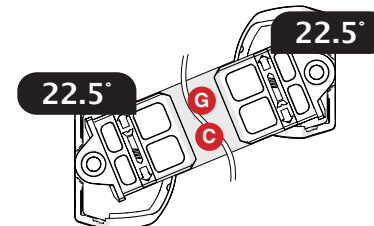
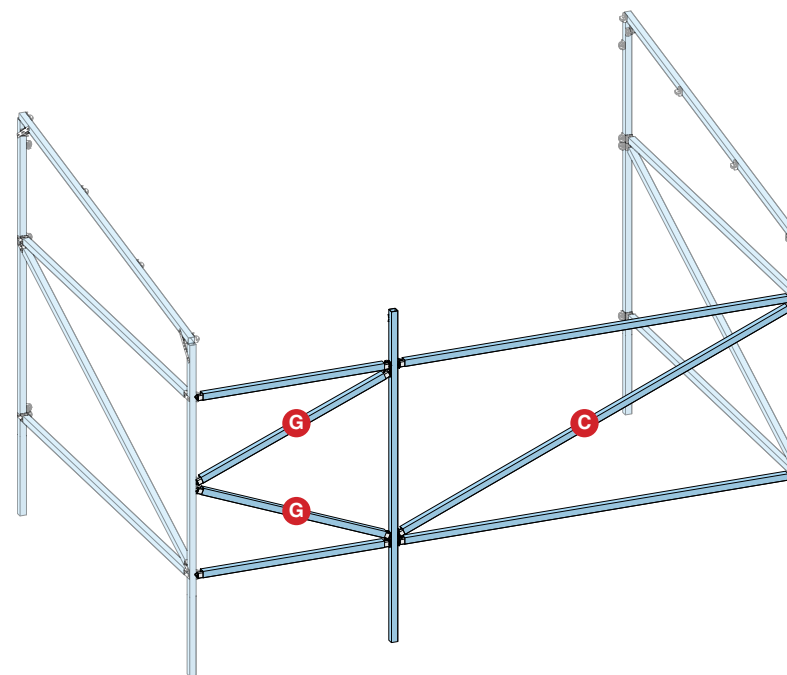
Step 1

Attach the sides together via the 5 rail items below



Step 2

Attach the 3 rail items below



Approximate time required: 0.25 Hours

Assembly Sequence

'Classic Plus'

4.5m x 3m x 2.45m Shed
Extension - Right Side

User Manual

Read in conjunction with
Kwiktech Build Guide and
Kwiktech Tips & Tricks

Designed by

kwiktech.

Engineered by

sbec. SCHMIDT
BENTLEY
ENGINEERING
CONSULTING

Rating: Region A

Rev 1.8

This Manual is the sole property of
Kwiktech Pty Ltd.
All rights are reserved.

This Manual is designed to be only
used with Kwiktech
produced products.

No part of this Manual or the
Kwiktech product design may be
copied or reproduced without the
consent of Kwiktech Pty Ltd.

Construction using Kwiktech
products may require planning
approval. Always contact your Local
Council for the most up-to-date
rules and regulations for your area.

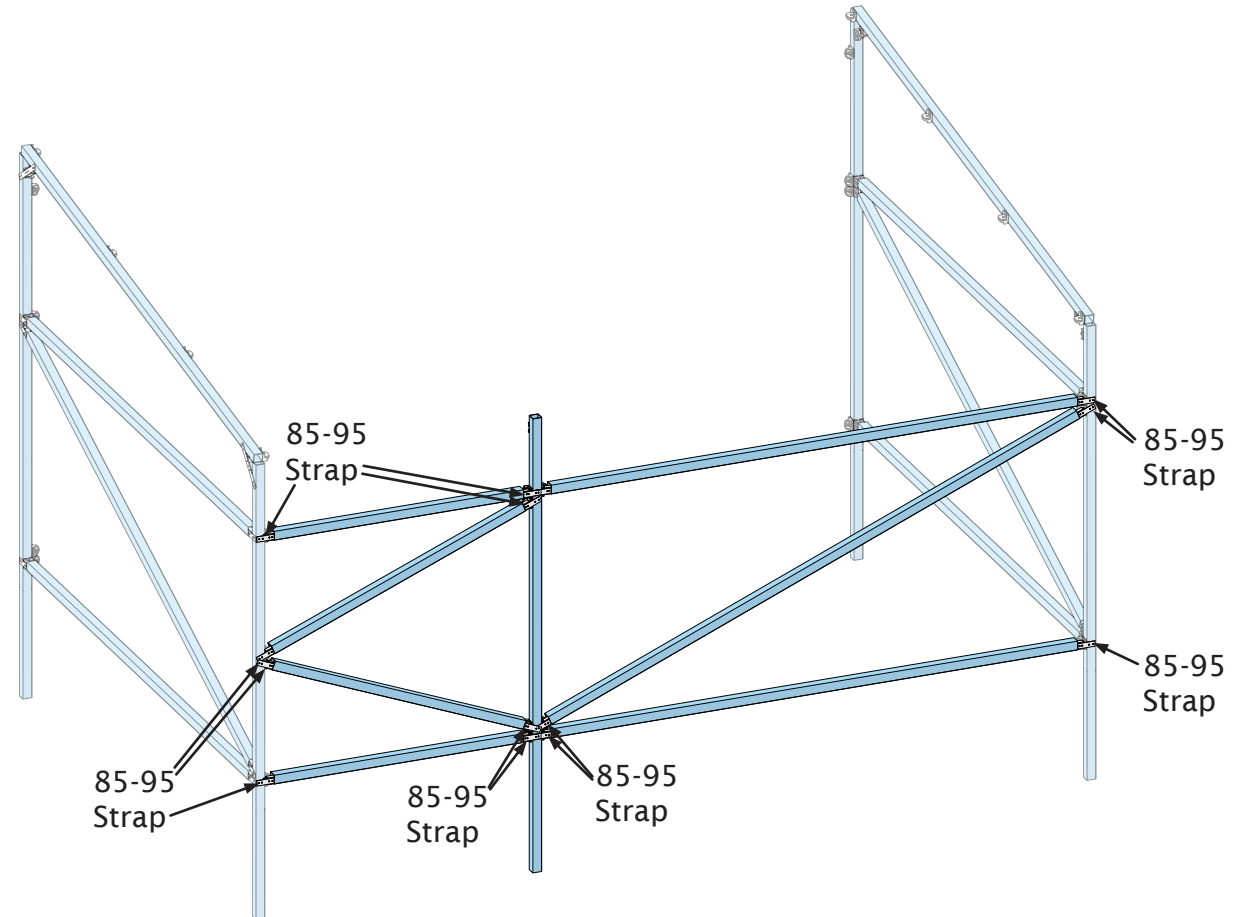
All dimensions are in millimeters
(mm)

www.kwiktech.com.au
© Kwiktech Pty Ltd 2022

Fix together with Back

Step 3

Fix tension strapping to framing



Approximate time
required: 0.25 Hours

Assembly Sequence

'Classic Plus'

4.5m x 3m x 2.45m Shed
Extension - Right Side

User Manual

Read in conjunction with
Kwiktech Build Guide and
Kwiktech Tips & Tricks

Designed by

kwiktech.

Engineered by

sbec. SCHMIDT
BENTLEY
ENGINEERING
CONSULTING

Rating: Region A

Rev 1.8

This Manual is the sole property of
Kwiktech Pty Ltd.
All rights are reserved.

This Manual is designed to be only
used with Kwiktech
produced products.

No part of this Manual or the
Kwiktech product design may be
copied or reproduced without the
consent of Kwiktech Pty Ltd.

Construction using Kwiktech
products may require planning
approval. Always contact your Local
Council for the most up-to-date
rules and regulations for your area.

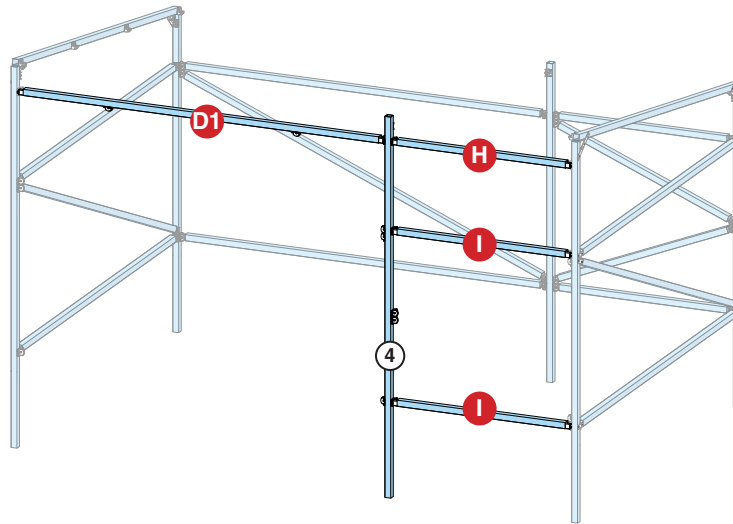
All dimensions are in millimeters
(mm)

www.kwiktech.com.au
© Kwiktech Pty Ltd 2022

Fix Walls Together with Front members

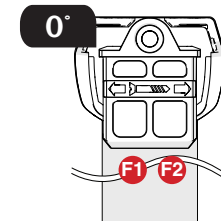
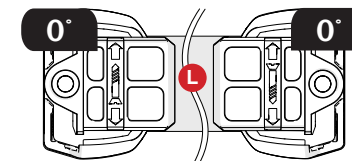
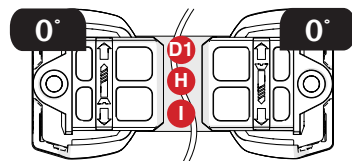
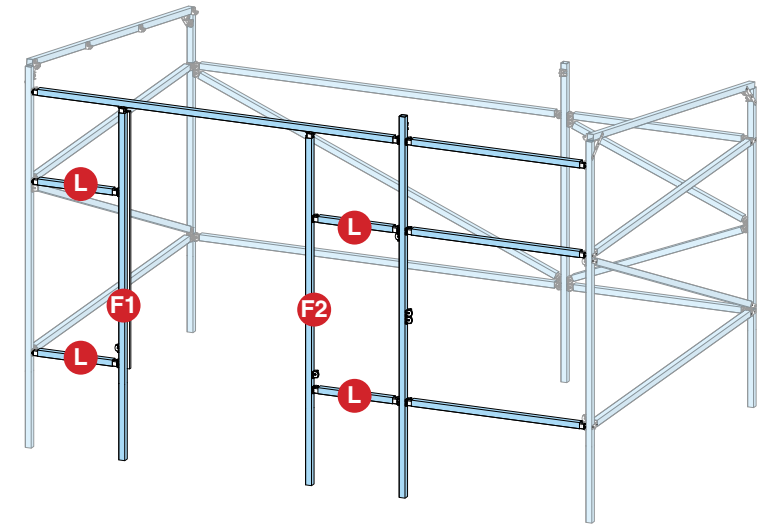
Step 1

Attach the sides together via the 5 rail items
below



Step 2

Attach the 6 rail items below



Approximate time
required: 0.25 Hours

Fix together with Front

Assembly Sequence

'Classic Plus'

4.5m x 3m x 2.45m Shed
Extension - Right Side

User Manual

Read in conjunction with
Kwiktech Build Guide and
Kwiktech Tips & Tricks

Designed by

kwiktech.

Engineered by

sbec. SCHMIDT
BENTLEY
ENGINEERING
CONSULTING

Rating: Region A

Rev 1.8

This Manual is the sole property of
Kwiktech Pty Ltd.
All rights are reserved.

This Manual is designed to be only
used with Kwiktech
produced products.

No part of this Manual or the
Kwiktech product design may be
copied or reproduced without the
consent of Kwiktech Pty Ltd.

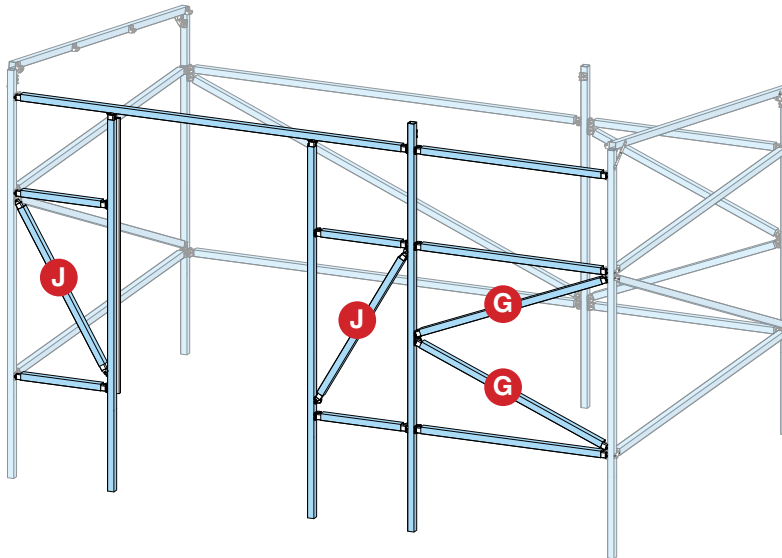
Construction using Kwiktech
products may require planning
approval. Always contact your Local
Council for the most up-to-date
rules and regulations for your area.

All dimensions are in millimeters
(mm)

www.kwiktech.com.au
© Kwiktech Pty Ltd 2022

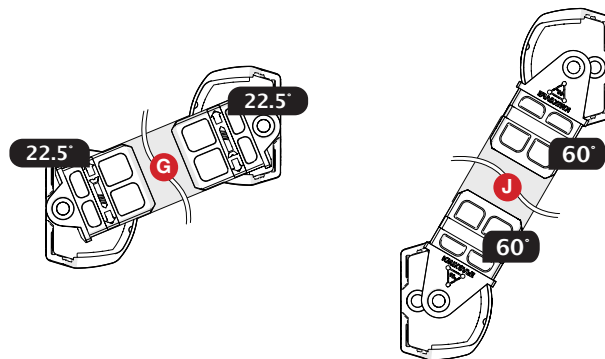
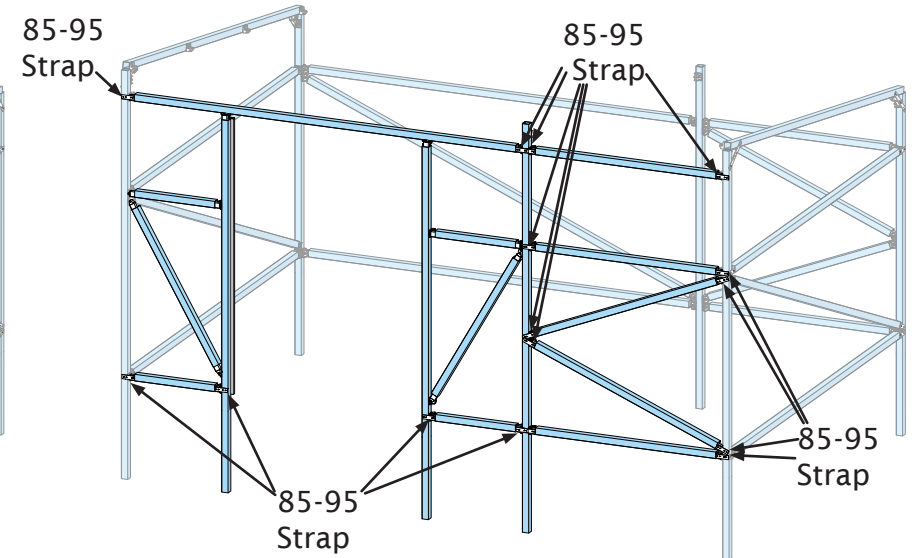
Step 3

Attach 2 rail items below



Step 4

Fix tension strapping to framing



Approximate time
required: 0.75 Hours

Temporary Corner Stiffeners

'Classic Plus'

4.5m x 3m x 2.45m Shed
Extension - Right Side

User Manual

Read in conjunction with
Kwiktech Build Guide and
Kwiktech Tips & Tricks

Designed by



Engineered by



Rating: Region A

Rev 1.8

This Manual is the sole property of
Kwiktech Pty Ltd.
All rights are reserved.

This Manual is designed to be only
used with Kwiktech
produced products.

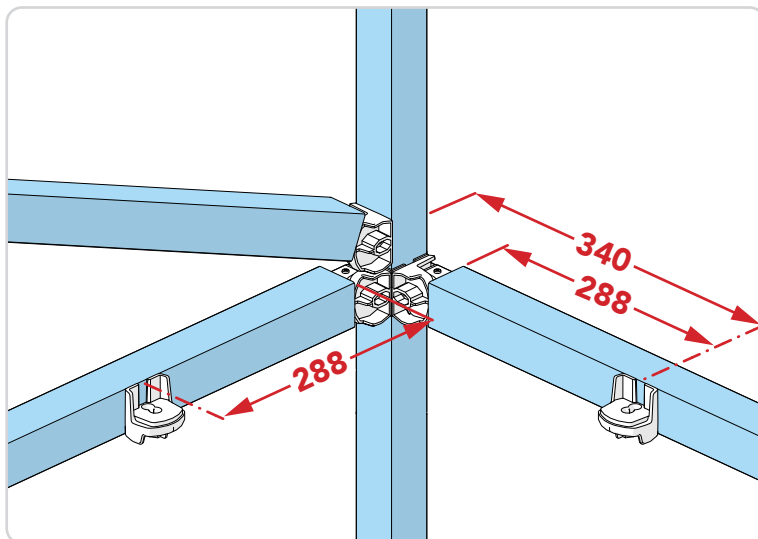
No part of this Manual or the
Kwiktech product design may be
copied or reproduced without the
consent of Kwiktech Pty Ltd.

Construction using Kwiktech
products may require planning
approval. Always contact your Local
Council for the most up-to-date
rules and regulations for your area.

All dimensions are in millimeters
(mm)

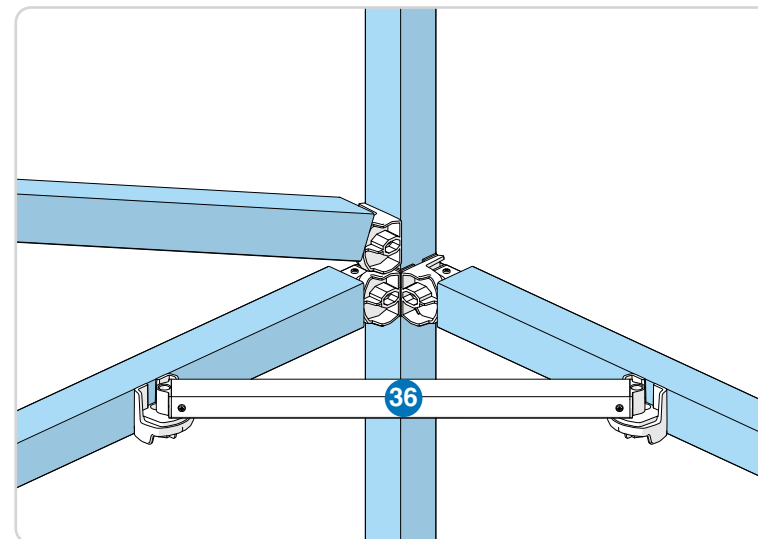
www.kwiktech.com.au
© Kwiktech Pty Ltd 2022

Optional Bracing if DIY
frame kit was purchased.

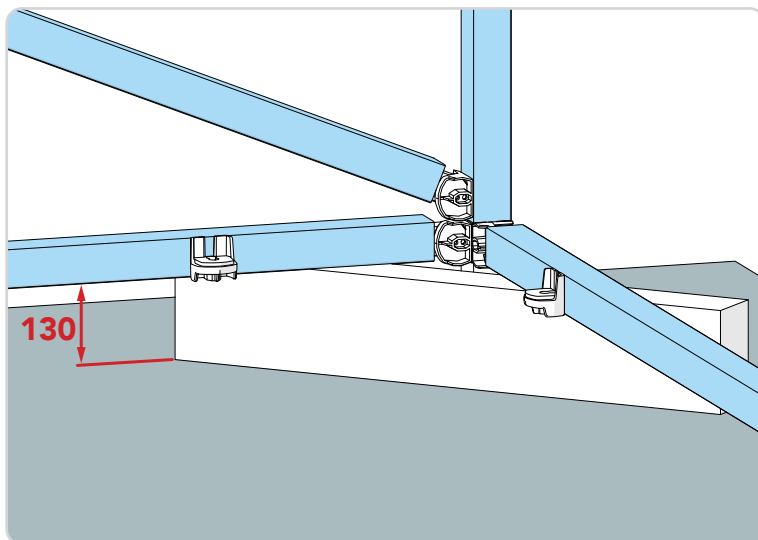


Fix 2 Universal connectors in the positions shown in all 4 corners.

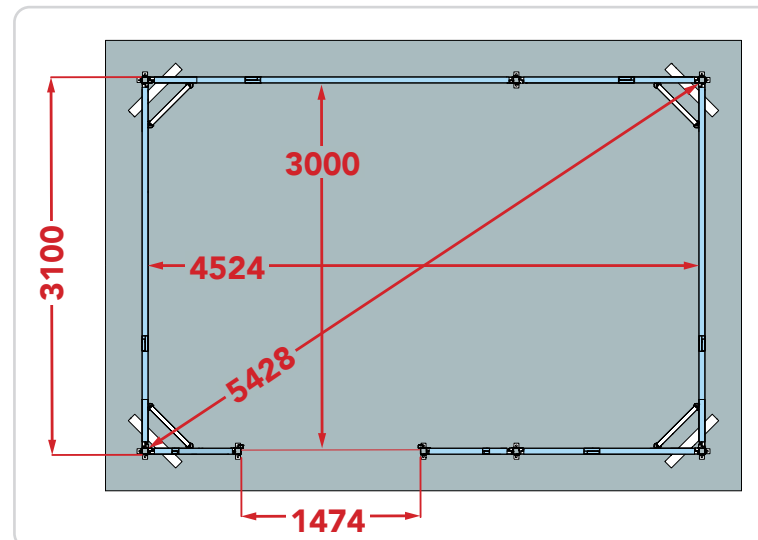
Optional temporary base corner stiffeners



Fit Item 36 into the corners to tie shed square before ground fixing. Once secured to ground, remove these bases & the universal connectors.



Pack approximately 130mm and shim as required to achieve a level shed. Use a spirit level to check horizontal members.



Push or pull shed corners as required to assist in fitting the corner bracing. Ensure dimensions match the ones stated above before fixing. Additional supports maybe required.

Approximate time
required: 0.5 Hours

Assembly Sequence

'Classic Plus'

4.5m x 3m x 2.45m Shed
Extension - Right Side

User Manual

Read in conjunction with
Kwiktech Build Guide and
Kwiktech Tips & Tricks

Designed by

kwiktech.

Engineered by

sbec. SCHMIDT
BENTLEY
ENGINEERING
CONSULTING

Rating: Region A

Rev 1.8

This Manual is the sole property of
Kwiktech Pty Ltd.
All rights are reserved.

This Manual is designed to be only
used with Kwiktech
produced products.

No part of this Manual or the
Kwiktech product design may be
copied or reproduced without the
consent of Kwiktech Pty Ltd.

Construction using Kwiktech
products may require planning
approval. Always contact your Local
Council for the most up-to-date
rules and regulations for your area.

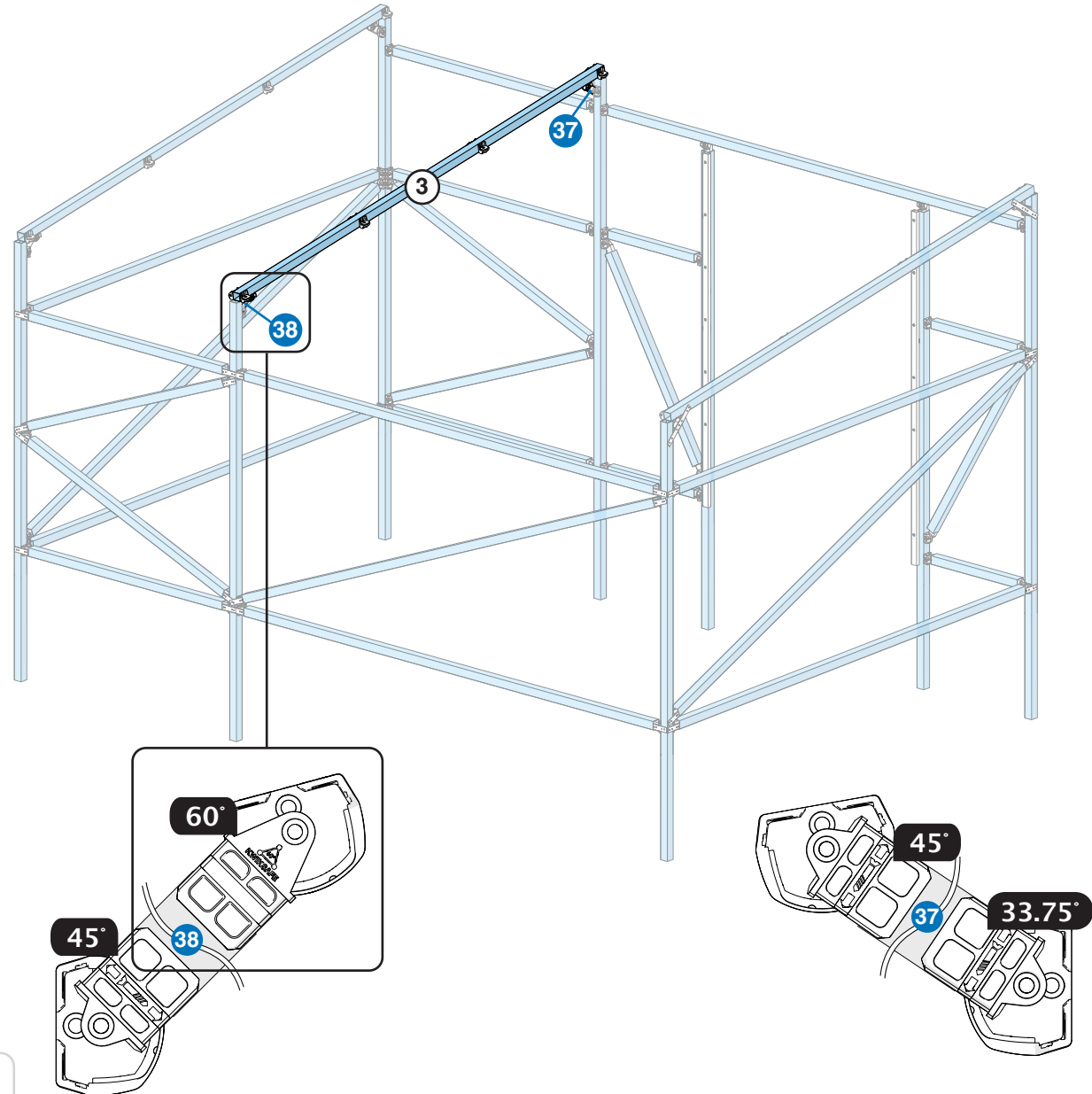
All dimensions are in millimeters
(mm)

www.kwiktech.com.au
© Kwiktech Pty Ltd 2022

Tie square with Roof

Step 1

Attach the 3 rail items below



Approximate time
required: 0.25 Hours

Assembly Sequence

'Classic Plus'

4.5m x 3m x 2.45m Shed
Extension - Right Side

User Manual

Read in conjunction with
Kwiktech Build Guide and
Kwiktech Tips & Tricks

Designed by

kwiktech.

Engineered by

sbec. SCHMIDT
BENTLEY
ENGINEERING
CONSULTING

Rating: Region A

Rev 1.8

This Manual is the sole property of
Kwiktech Pty Ltd.
All rights are reserved.

This Manual is designed to be only
used with Kwiktech
produced products.

No part of this Manual or the
Kwiktech product design may be
copied or reproduced without the
consent of Kwiktech Pty Ltd.

Construction using Kwiktech
products may require planning
approval. Always contact your Local
Council for the most up-to-date
rules and regulations for your area.

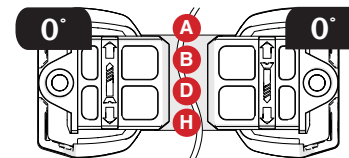
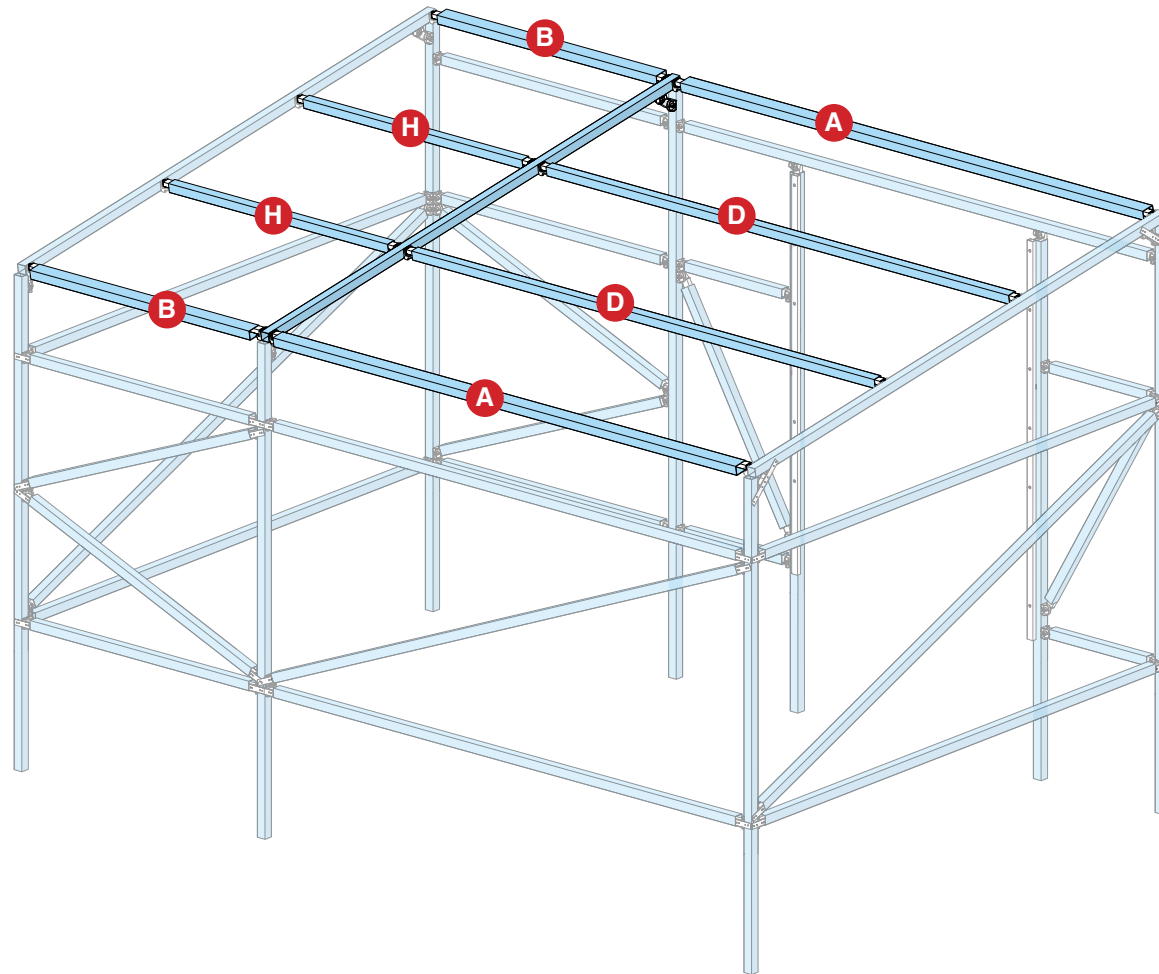
All dimensions are in millimeters
(mm)

www.kwiktech.com.au
© Kwiktech Pty Ltd 2022

Tie square with Roof

Step 2

Attach the 8 rail items below



Approximate time
required: 0.25 Hours

Flashing Types

'Classic Plus' 4.5m x 3m x 2.45m Shed Extension - Right Side

User Manual

Read in conjunction with
Kwiktech Build Guide and
Kwiktech Tips & Tricks

Designed by



Engineered by



Rating: Region A

Rev 1.8

This Manual is the sole property of
Kwiktech Pty Ltd.
All rights are reserved.

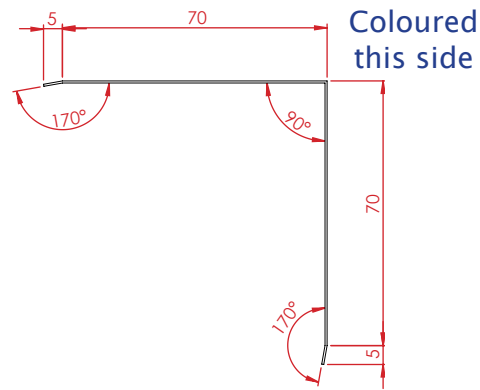
This Manual is designed to be only
used with Kwiktech
produced products.

No part of this Manual or the
Kwiktech product design may be
copied or reproduced without the
consent of Kwiktech Pty Ltd.

Construction using Kwiktech
products may require planning
approval. Always contact your Local
Council for the most up-to-date
rules and regulations for your area.

All dimensions are in millimeters
(mm)

www.kwiktech.com.au
© Kwiktech Pty Ltd 2022



FL 1

KT-FLP-01
4684mm
0.42 BMT
QTY: 1

FL 3

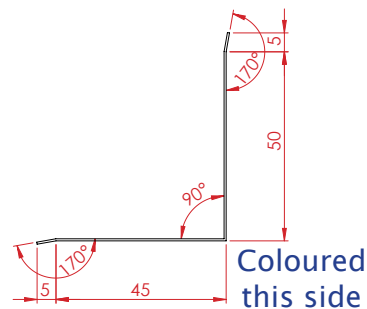
KT-FLP-01
3310mm
0.42 BMT
QTY: 2

FL 4

KT-FLP-01
2450mm
0.42 BMT
QTY: 2

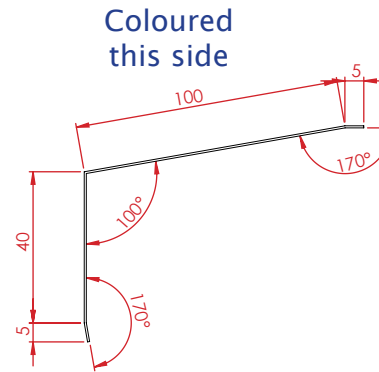
FL 7

KT-FLP-01
1950mm
0.42 BMT
QTY: 2



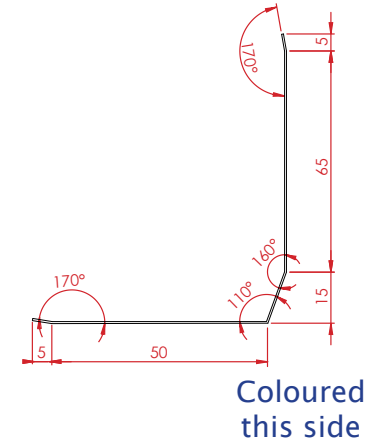
FL 8

KT-FLP-05
1590mm
0.42 BMT
QTY: 1



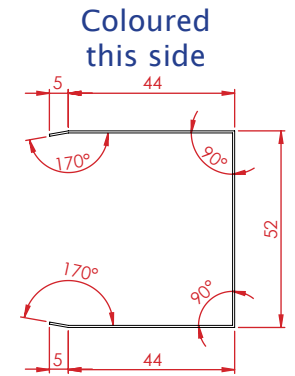
FL 2

KT-FLP-02
4630mm
0.42 BMT
QTY: 1



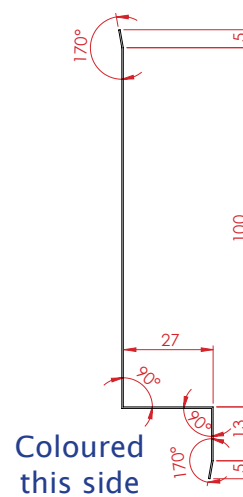
FL 5

KT-FLP-03
2172mm
0.42 BMT
QTY: 2



FL 6

KT-FLP-04
2165mm
0.42 BMT
QTY: 2



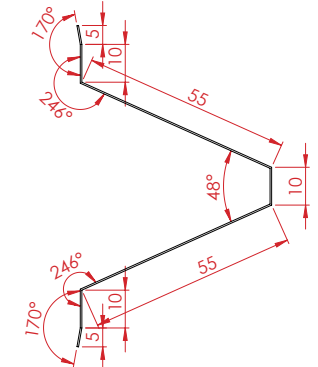
FL 9

KT-FLP-06
1518mm
0.42 BMT
QTY: 1



FL 10.1

KT-FLP-10
40mm
1.6 Galv
QTY: 1



FL 10.2

KT-FLP-06
40mm
1.2 Galv
QTY: 1

Internal Flashings

'Classic Plus'

4.5m x 3m x 2.45m Shed
Extension - Right Side

User Manual

Read in conjunction with
Kwiktech Build Guide and
Kwiktech Tips & Tricks

Designed by

kwiktech.

Engineered by

sbec. SCHMIDT
BENTLEY
ENGINEERING
CONSULTING

Rating: Region A

Rev 1.8

This Manual is the sole property of
Kwiktech Pty Ltd.
All rights are reserved.

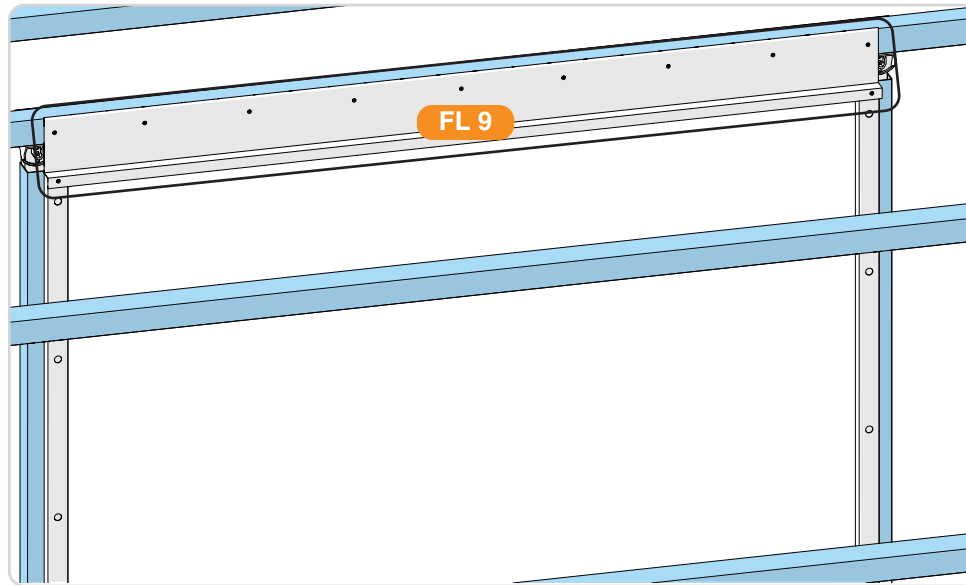
This Manual is designed to be only
used with Kwiktech
produced products.

No part of this Manual or the
Kwiktech product design may be
copied or reproduced without the
consent of Kwiktech Pty Ltd.

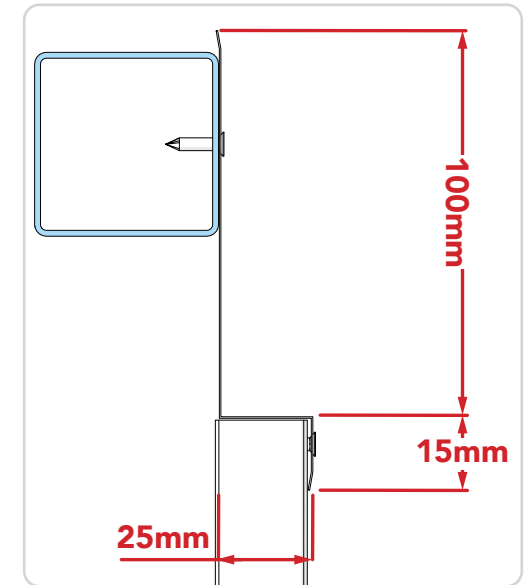
Construction using Kwiktech
products may require planning
approval. Always contact your Local
Council for the most up-to-date
rules and regulations for your area.

All dimensions are in millimeters
(mm)

www.kwiktech.com.au
© Kwiktech Pty Ltd 2022



9 x 10gx16mm Self-Drilling flat top screws used to fix **FL 9** to SHS frame. Screws evenly spaced. Ends of **FL 9** to be flush with outer face of door stoppers. Then fix to the door stoppers with 1 Self-Drilling flat top screw each end.



Flashing dimensions

Approximate time
required: 1 Hour

Door Assembly

'Classic Plus'
4.5m x 3m x 2.45m Shed
Extension - Right Side
User Manual

Read in conjunction with
Kwiktech Build Guide and
Kwiktech Tips & Tricks

Designed by



Engineered by



Rating: Region A

Rev 1.8

This Manual is the sole property of
Kwiktech Pty Ltd.
All rights are reserved.

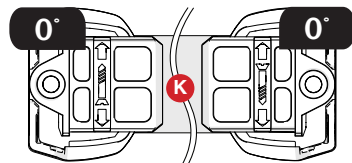
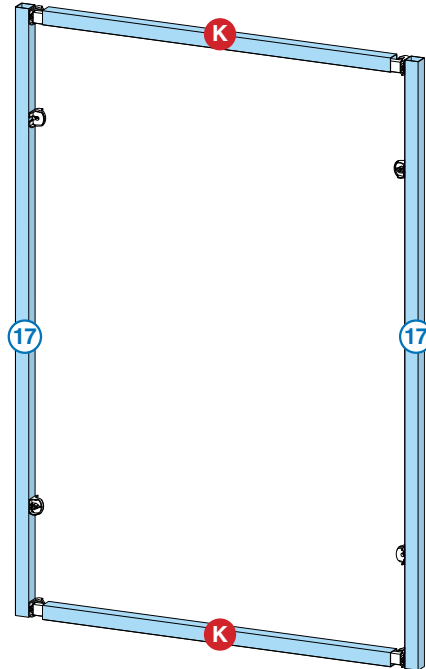
This Manual is designed to be only
used with Kwiktech
produced products.

No part of this Manual or the
Kwiktech product design may be
copied or reproduced without the
consent of Kwiktech Pty Ltd.

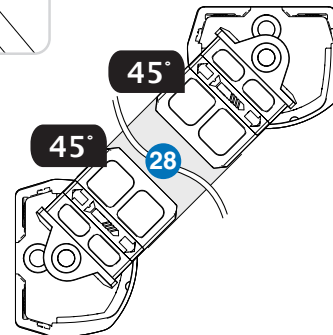
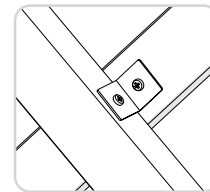
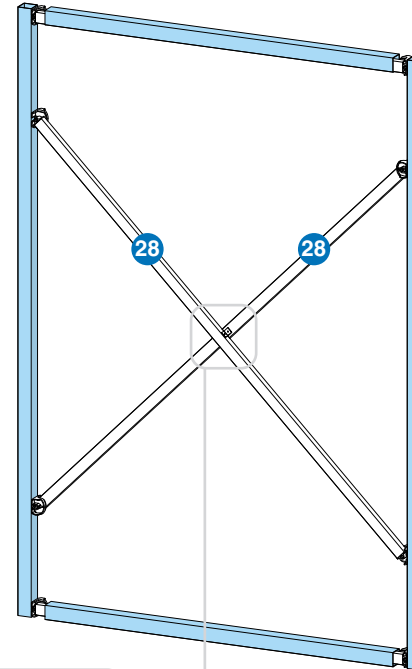
Construction using Kwiktech
products may require planning
approval. Always contact your Local
Council for the most up-to-date
rules and regulations for your area.

All dimensions are in millimeters
(mm)

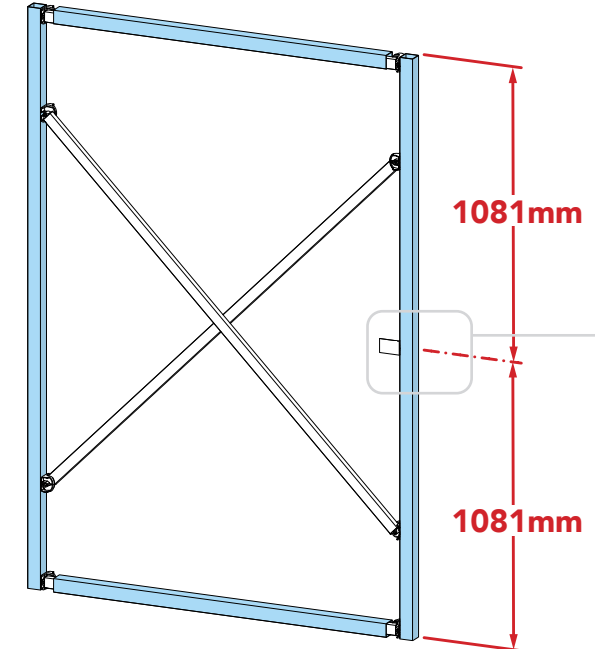
Step 1
Attach 2 rail items below



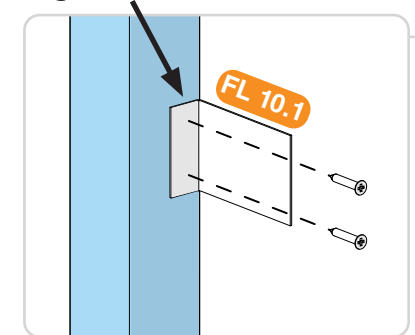
Step 2
Attach 2 rail items below



Step 3
Fix handle plate to post



Front faces flush. Fix with 2 x
wafer head screws. Recommend
pre-drilling and using clamp
when fixing bracket to frame



View from back of door

Approximate time
required: 0.5 Hours

Door Assembly

'Classic Plus'
4.5m x 3m x 2.45m Shed
Extension - Right Side

User Manual

Read in conjunction with
Kwiktech Build Guide and
Kwiktech Tips & Tricks

Designed by

kwiktech.

Engineered by

sbec. SCHMIDT
BENTLEY
ENGINEERING
CONSULTING

Rating: Region A

Rev 1.8

This Manual is the sole property of
Kwiktech Pty Ltd.
All rights are reserved.

This Manual is designed to be only
used with Kwiktech
produced products.

No part of this Manual or the
Kwiktech product design may be
copied or reproduced without the
consent of Kwiktech Pty Ltd.

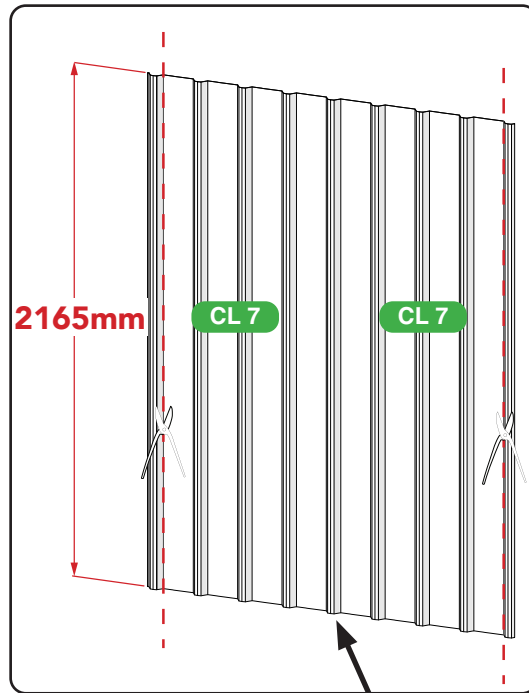
Construction using Kwiktech
products may require planning
approval. Always contact your Local
Council for the most up-to-date
rules and regulations for your area.

All dimensions are in millimeters
(mm)

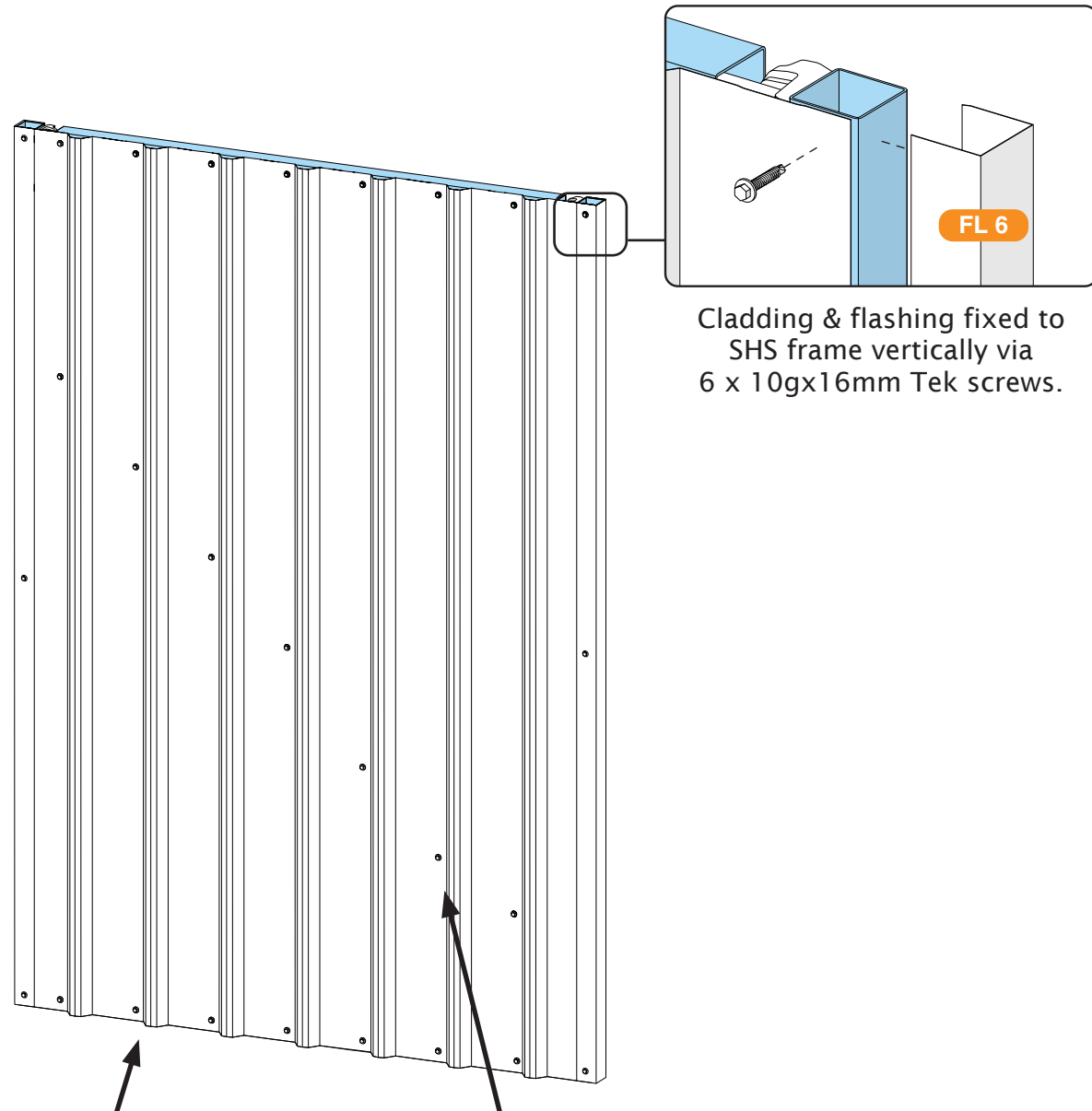
www.kwiktech.com.au
© Kwiktech Pty Ltd 2022

Step 4

Attach cladding & flashings



Door cladding to be overlapped in
the middle & the outer peak on both
sides to be trimmed off before fixing
onto the SHS door frame.



Cladding & flashing fixed to
SHS frame vertically via
6 x 10gx16mm Tek screws.

Fix cladding to steel
horizontally top & bot-
tom with 10gx16mm Tek
screws before every peak

Fix cladding to
diagonal brace with
10gx16mm Tek screws
before every peak

Approximate time
required: 0.5 Hours

Door Assembly

'Classic Plus'
4.5m x 3m x 2.45m Shed
Extension - Right Side

User Manual

Read in conjunction with
Kwiktech Build Guide and
Kwiktech Tips & Tricks

Designed by

kwiktech.

Engineered by

sbec. SCHMIDT
BENTLEY
ENGINEERING
CONSULTING

Rating: Region A

Rev 1.8

This Manual is the sole property of
Kwiktech Pty Ltd.
All rights are reserved.

This Manual is designed to be only
used with Kwiktech
produced products.

No part of this Manual or the
Kwiktech product design may be
copied or reproduced without the
consent of Kwiktech Pty Ltd.

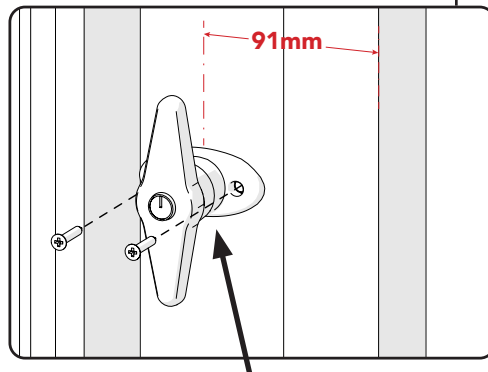
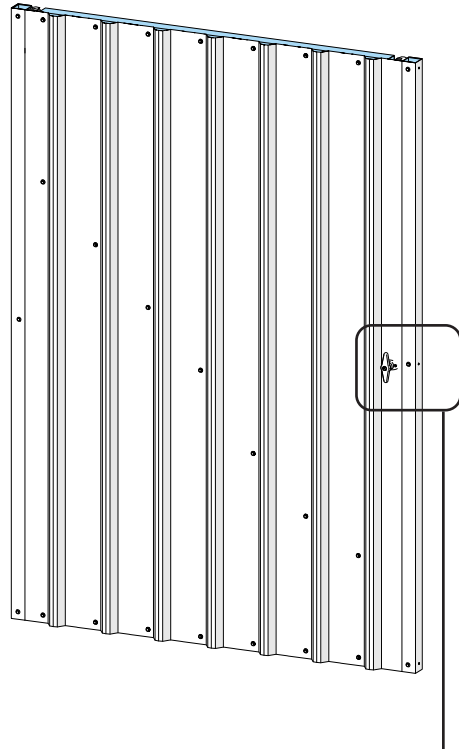
Construction using Kwiktech
products may require planning
approval. Always contact your Local
Council for the most up-to-date
rules and regulations for your area.

All dimensions are in millimeters
(mm)

www.kwiktech.com.au
© Kwiktech Pty Ltd 2022

Step 5

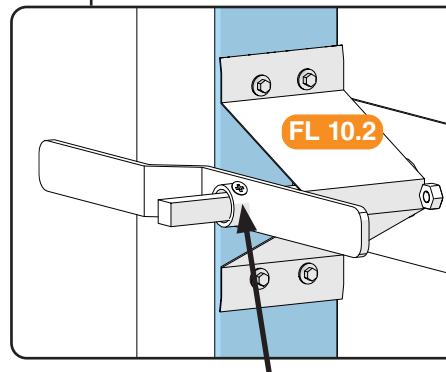
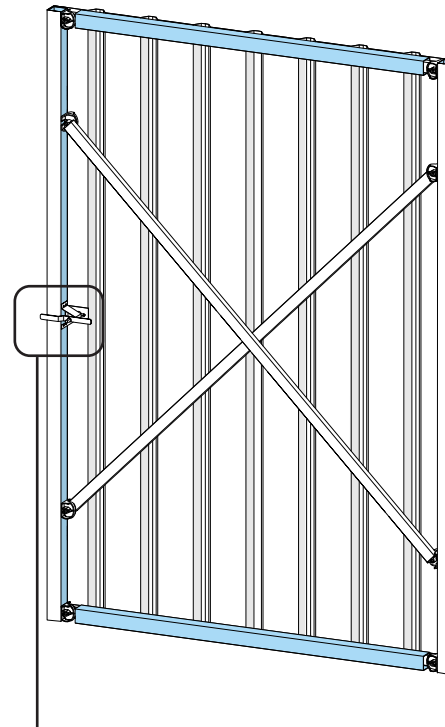
Fix handle through cladding
to plate



Fix as per manufactures
instructions

Step 6

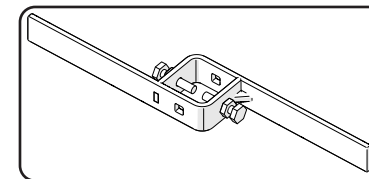
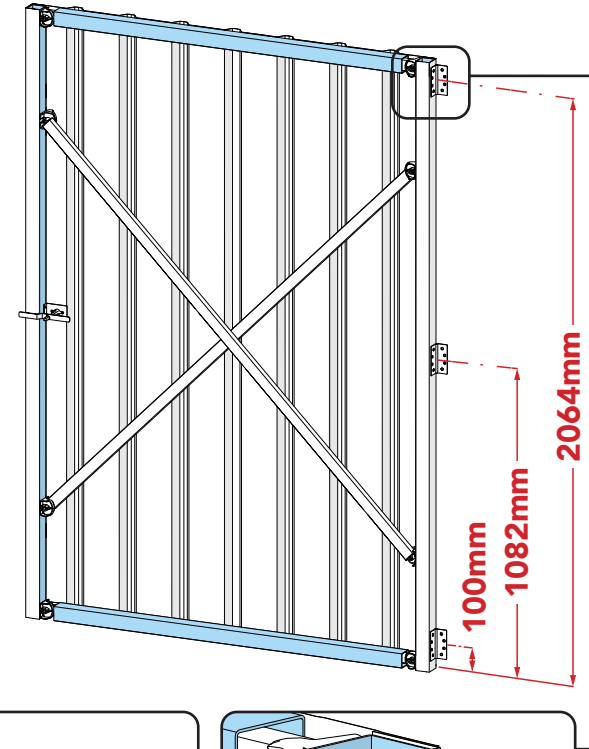
Loosely attach door latch & fit
FL 10.2 in place.



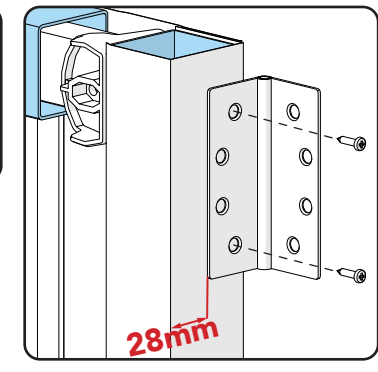
Tighten screw after door is
fitted to frame. Refer to page
39. Fix **FL 10.2** in place with 2
10gx16mm tek screws top &
bottom.

Step 7

Attach hinges to door post



Recommend using a
heavy duty inner lock,
such as the one
pictured above.



Fix hinges in place
with 2 x wafer
head screws

Approximate time
required: 0.75 Hours

Cladding

'Classic Plus'
4.5m x 3m x 2.45m Shed
Extension - Right Side
User Manual

Read in conjunction with
Kwiktech Build Guide and
Kwiktech Tips & Tricks

Designed by

kwiktech.

Engineered by

sbec. SCHMIDT
BENTLEY
ENGINEERING
CONSULTING

Rating: Region A

Rev 1.8

This Manual is the sole property of
Kwiktech Pty Ltd.
All rights are reserved.

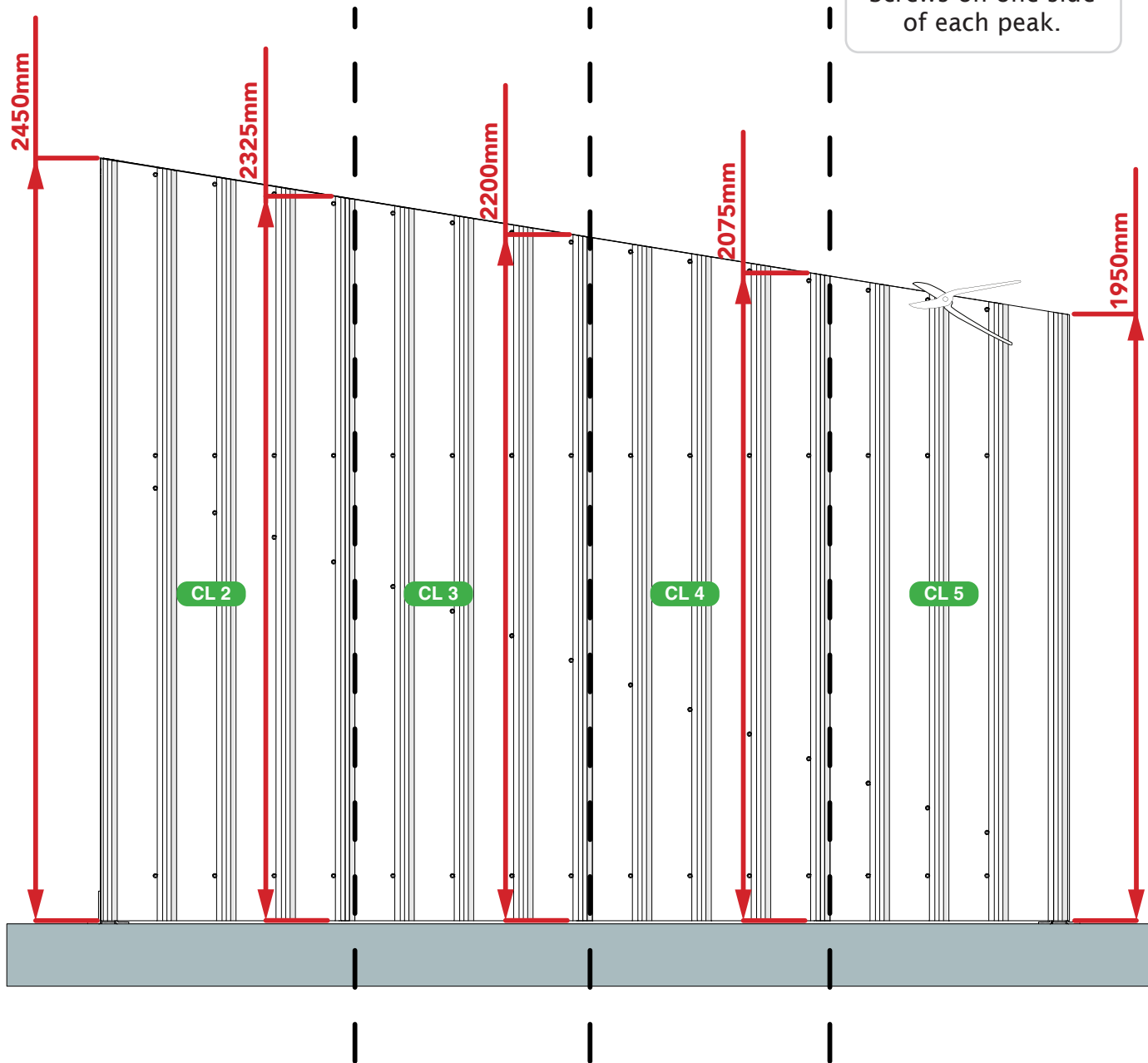
This Manual is designed to be only
used with Kwiktech
produced products.

No part of this Manual or the
Kwiktech product design may be
copied or reproduced without the
consent of Kwiktech Pty Ltd.

Construction using Kwiktech
products may require planning
approval. Always contact your Local
Council for the most up-to-date
rules and regulations for your area.

All dimensions are in millimeters
(mm)

www.kwiktech.com.au
© Kwiktech Pty Ltd 2022



10gx16mm Tek
screws used to fix
cladding to SHS frame.
Screws on one side
of each peak.



Under peak
always on the **left** side
of each sheet when
fixing to framework.



Over peak
always on the **right** side
of each sheet when
fixing to framework.



Peak Connection

Approximate time
required: 2 Hours

Left & Right Walls

Note: CLD2 - CLD5 need to be trimmed to suit slope of roof

Cladding

'Classic Plus'
4.5m x 3m x 2.45m Shed
Extension - Right Side

User Manual

Read in conjunction with
Kwiktech Build Guide and
Kwiktech Tips & Tricks

Designed by

kwiktech.

Engineered by

sbec. SCHMIDT
BENTLEY
ENGINEERING
CONSULTING

Rating: Region A

Rev 1.8

This Manual is the sole property of
Kwiktech Pty Ltd.
All rights are reserved.

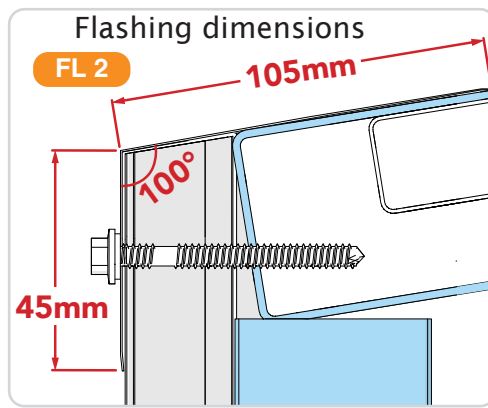
This Manual is designed to be only
used with Kwiktech
produced products.

No part of this Manual or the
Kwiktech product design may be
copied or reproduced without the
consent of Kwiktech Pty Ltd.

Construction using Kwiktech
products may require planning
approval. Always contact your Local
Council for the most up-to-date
rules and regulations for your area.

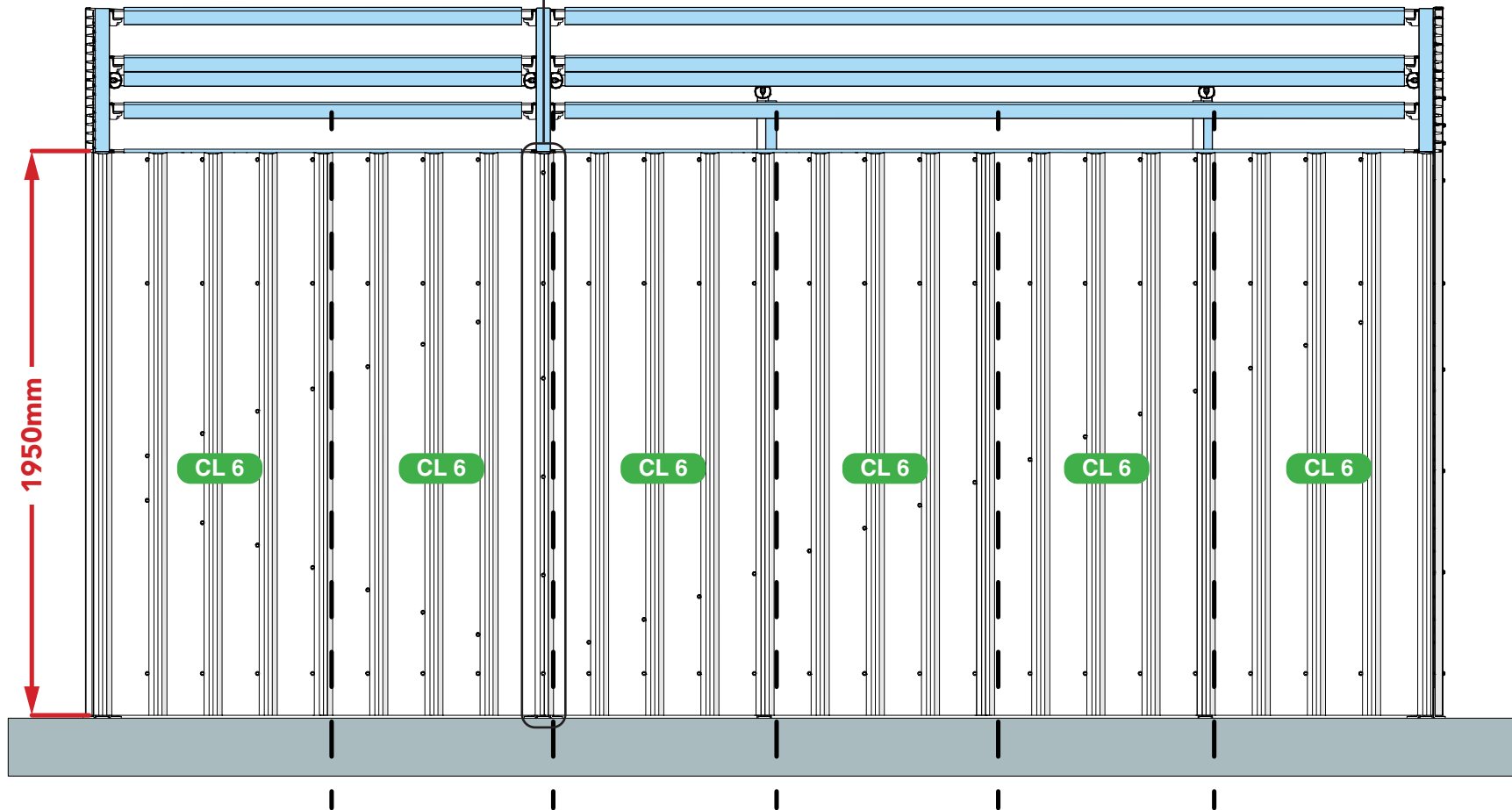
All dimensions are in millimeters
(mm)

www.kwiktech.com.au
© Kwiktech Pty Ltd 2022



Note: 6 x 12gx53mm tek screws
used to fix cladding to central
brace through peaks of cladding
where they overlap.

10gx16mm Tek screws used to
fix cladding to SHS frame.
Screws on one side
of each peak.



Note: Gutter attachments and
Gutter can be added at this point
if desired as an additional option.

Approximate time
required: 1 Hours

Back

Cladding

'Classic Plus'
4.5m x 3m x 2.45m Shed
Extension - Right Side

User Manual

Read in conjunction with
Kwiktech Build Guide and
Kwiktech Tips & Tricks

Designed by



Engineered by



Rating: Region A

Rev 1.8

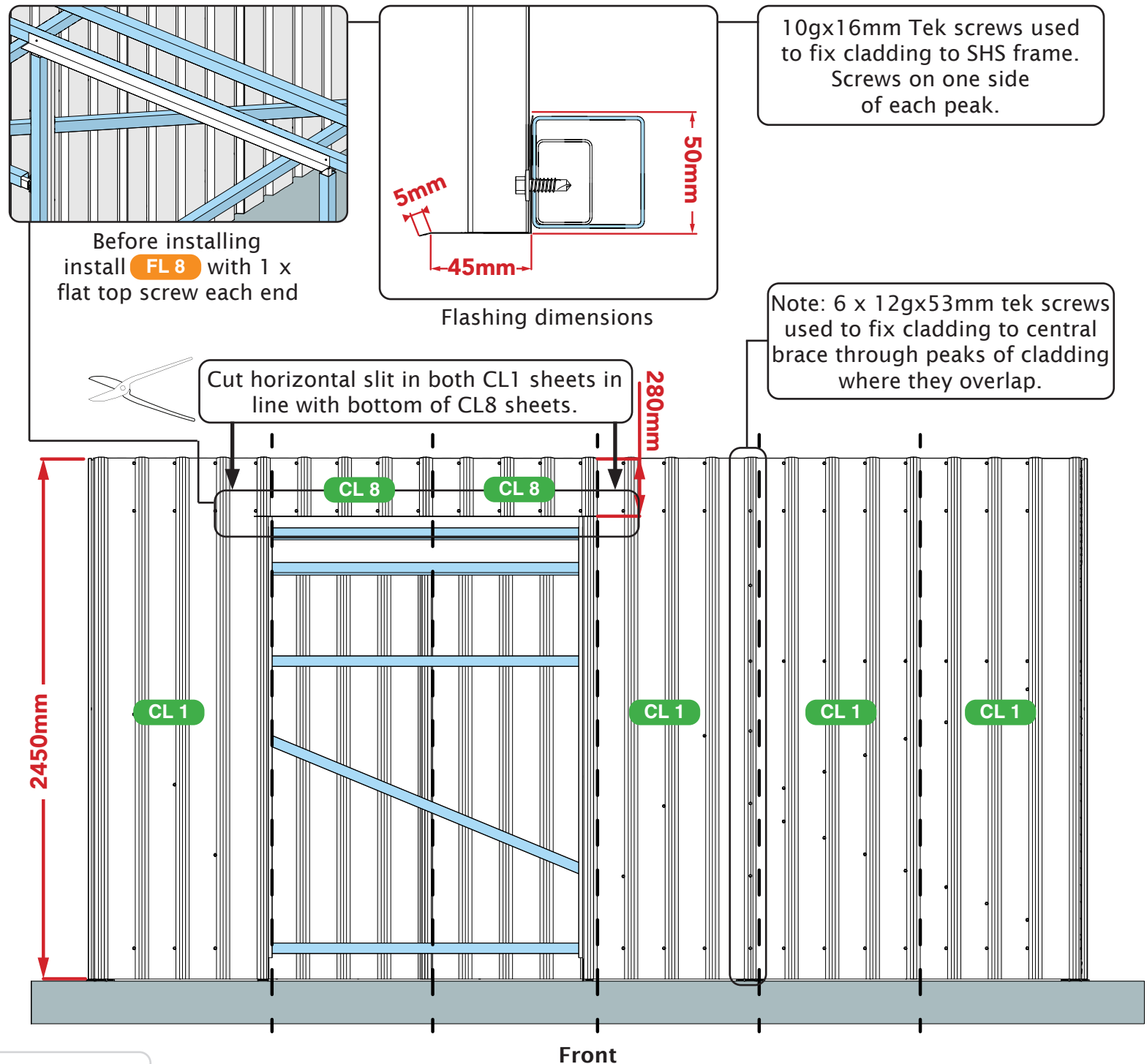
This Manual is the sole property of
Kwiktech Pty Ltd.
All rights are reserved.

This Manual is designed to be only
used with Kwiktech
produced products.

No part of this Manual or the
Kwiktech product design may be
copied or reproduced without the
consent of Kwiktech Pty Ltd.

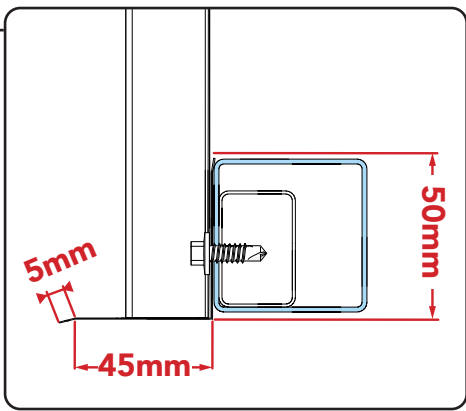
Construction using Kwiktech
products may require planning
approval. Always contact your Local
Council for the most up-to-date
rules and regulations for your area.

All dimensions are in millimeters
(mm)

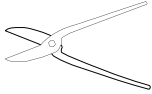


10gx16mm Tek screws used
to fix cladding to SHS frame.
Screws on one side
of each peak.

Before installing
install **FL 8** with 1 x
flat top screw each end

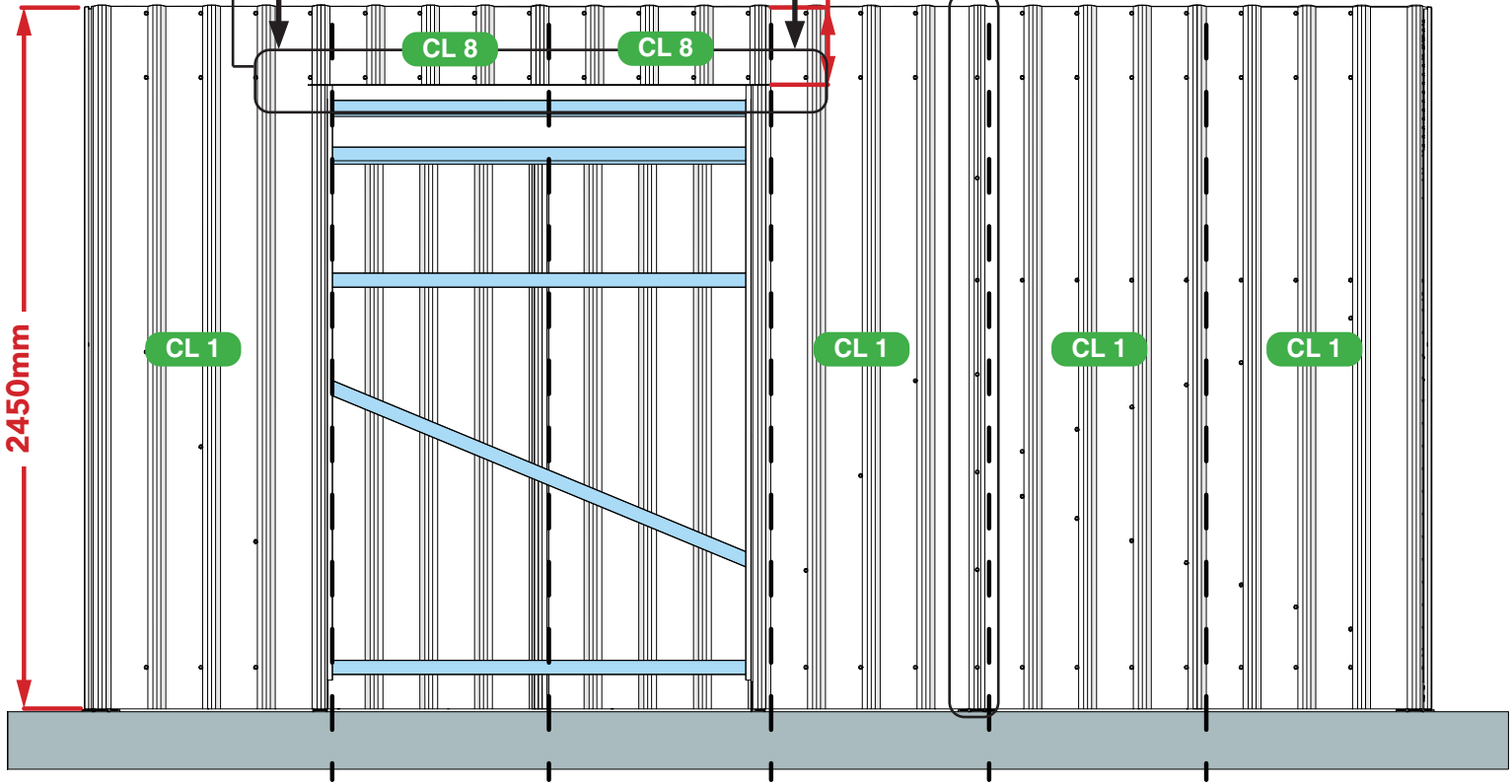


Flashing dimensions



Cut horizontal slit in both CL1 sheets in
line with bottom of CL8 sheets.

Note: 6 x 12gx53mm tek screws
used to fix cladding to central
brace through peaks of cladding
where they overlap.



Front

Approximate time
required: 1 Hour

Cladding

'Classic Plus'

4.5m x 3m x 2.45m Shed
Extension - Right Side

User Manual

Read in conjunction with
Kwiktech Build Guide and
Kwiktech Tips & Tricks

Designed by

kwiktech.

Engineered by

sbec. SCHMIDT
BENTLEY
ENGINEERING
CONSULTING

Rating: Region A

Rev 1.8

This Manual is the sole property of
Kwiktech Pty Ltd.
All rights are reserved.

This Manual is designed to be only
used with Kwiktech
produced products.

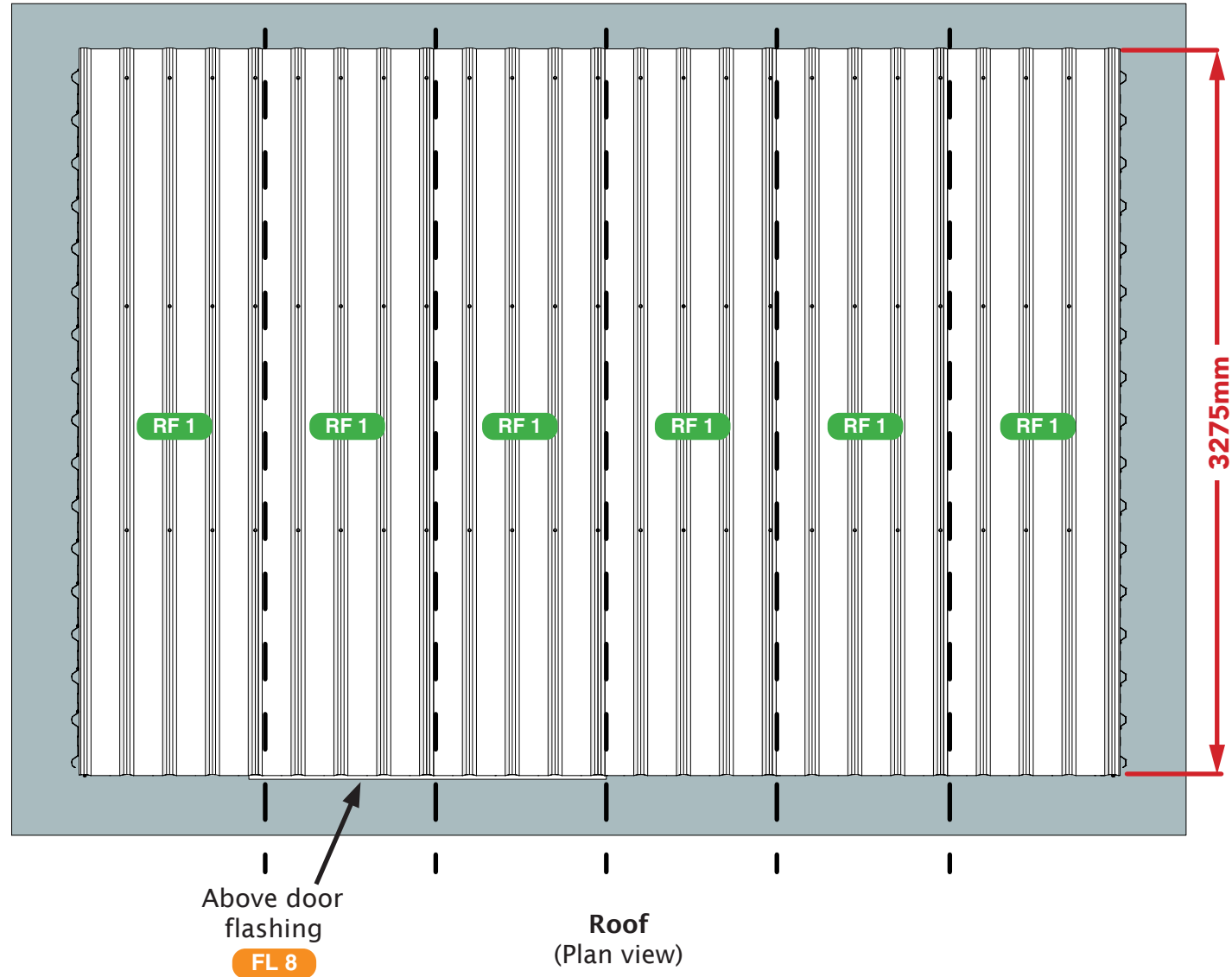
No part of this Manual or the
Kwiktech product design may be
copied or reproduced without the
consent of Kwiktech Pty Ltd.

Construction using Kwiktech
products may require planning
approval. Always contact your Local
Council for the most up-to-date
rules and regulations for your area.

All dimensions are in millimeters
(mm)

www.kwiktech.com.au
© Kwiktech Pty Ltd 2022

12gx53mm tek screws
used to fix cladding
to SHS frame. Screw
through the peaks.



Approximate time
required: 1 Hour

Cladding

'Classic Plus'
4.5m x 3m x 2.45m Shed
Extension - Right Side
User Manual

Read in conjunction with
Kwiktech Build Guide and
Kwiktech Tips & Tricks

Designed by

kwiktech.

Engineered by

sbec. SCHMIDT
BENTLEY
ENGINEERING
CONSULTING

Rating: Region A

Rev 1.8

This Manual is the sole property of
Kwiktech Pty Ltd.
All rights are reserved.

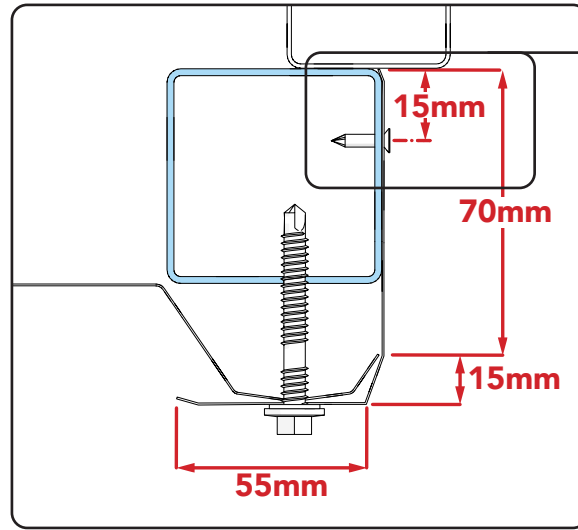
This Manual is designed to be only
used with Kwiktech
produced products.

No part of this Manual or the
Kwiktech product design may be
copied or reproduced without the
consent of Kwiktech Pty Ltd.

Construction using Kwiktech
products may require planning
approval. Always contact your Local
Council for the most up-to-date
rules and regulations for your area.

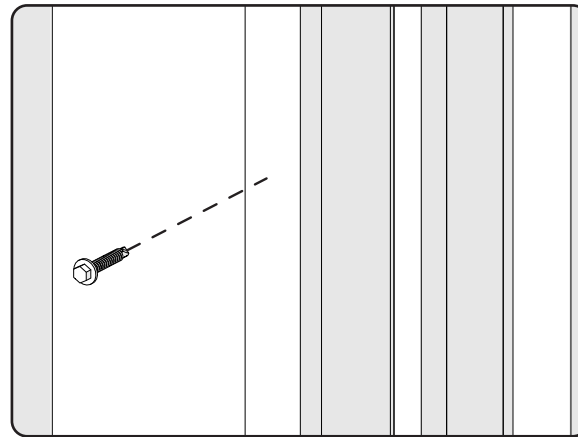
All dimensions are in millimeters
(mm)

www.kwiktech.com.au
© Kwiktech Pty Ltd 2022

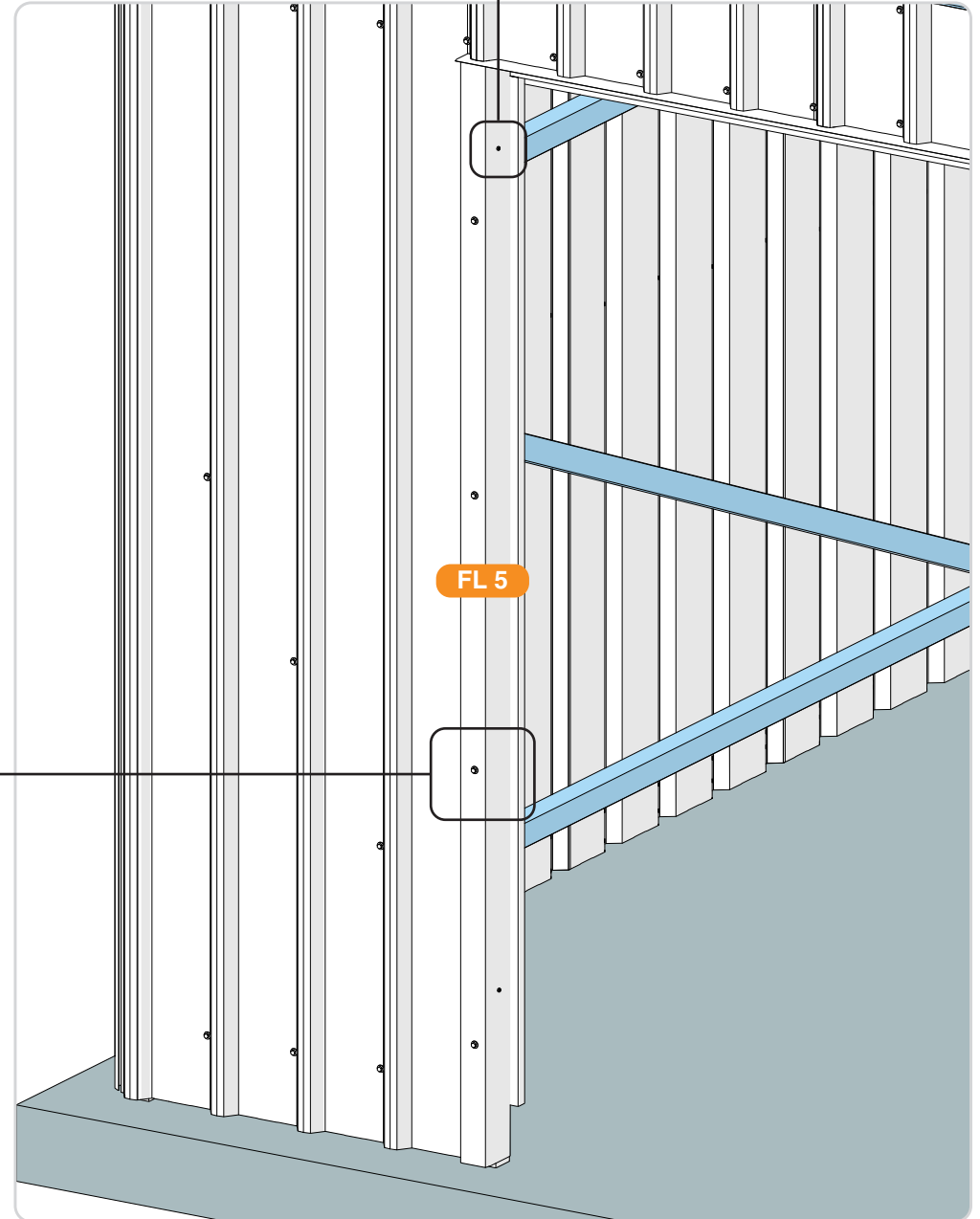


Flashing dimensions

Fix flat top screws into side of flashing
first. 300mm from both ends to miss
the hinges.



12gx53mm tek screws used to
fix flashing & cladding to SHS frame.
**Fix only after Door & Hinges have
been fixed.** Flashing installed both
sides of the door frame.



Door Install

'Classic Plus'
4.5m x 3m x 2.45m Shed
Extension - Right Side
User Manual

Read in conjunction with
Kwiktech Build Guide and
Kwiktech Tips & Tricks

Designed by



Engineered by



Rating: Region A

Rev 1.8

This Manual is the sole property of
Kwiktech Pty Ltd.
All rights are reserved.

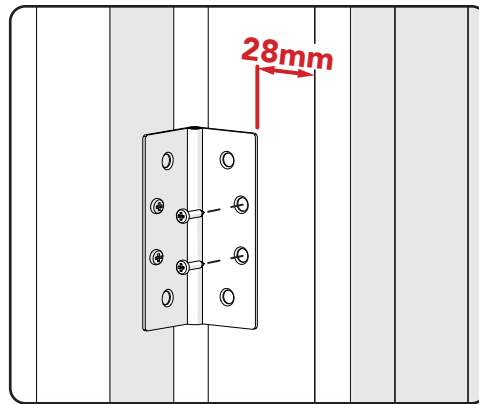
This Manual is designed to be only
used with Kwiktech
produced products.

No part of this Manual or the
Kwiktech product design may be
copied or reproduced without the
consent of Kwiktech Pty Ltd.

Construction using Kwiktech
products may require planning
approval. Always contact your Local
Council for the most up-to-date
rules and regulations for your area.

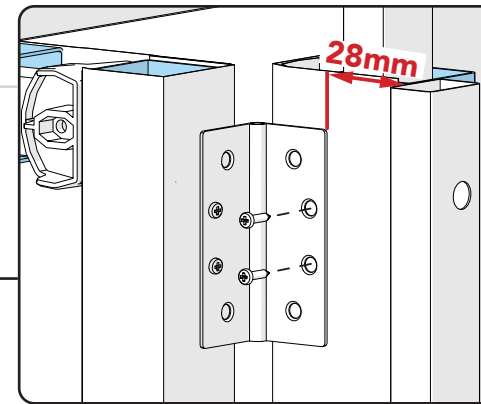
All dimensions are in millimeters
(mm)

www.kwiktech.com.au
© Kwiktech Pty Ltd 2022



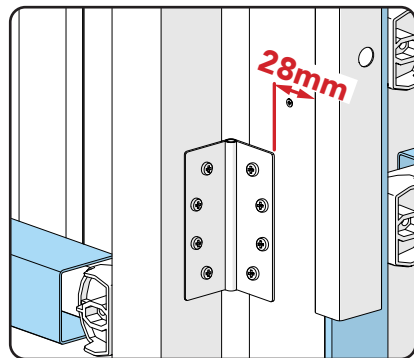
Fix to left door frame post via 2
wafer head screws.

Screw through flashing
FL 5 when installing
hinges



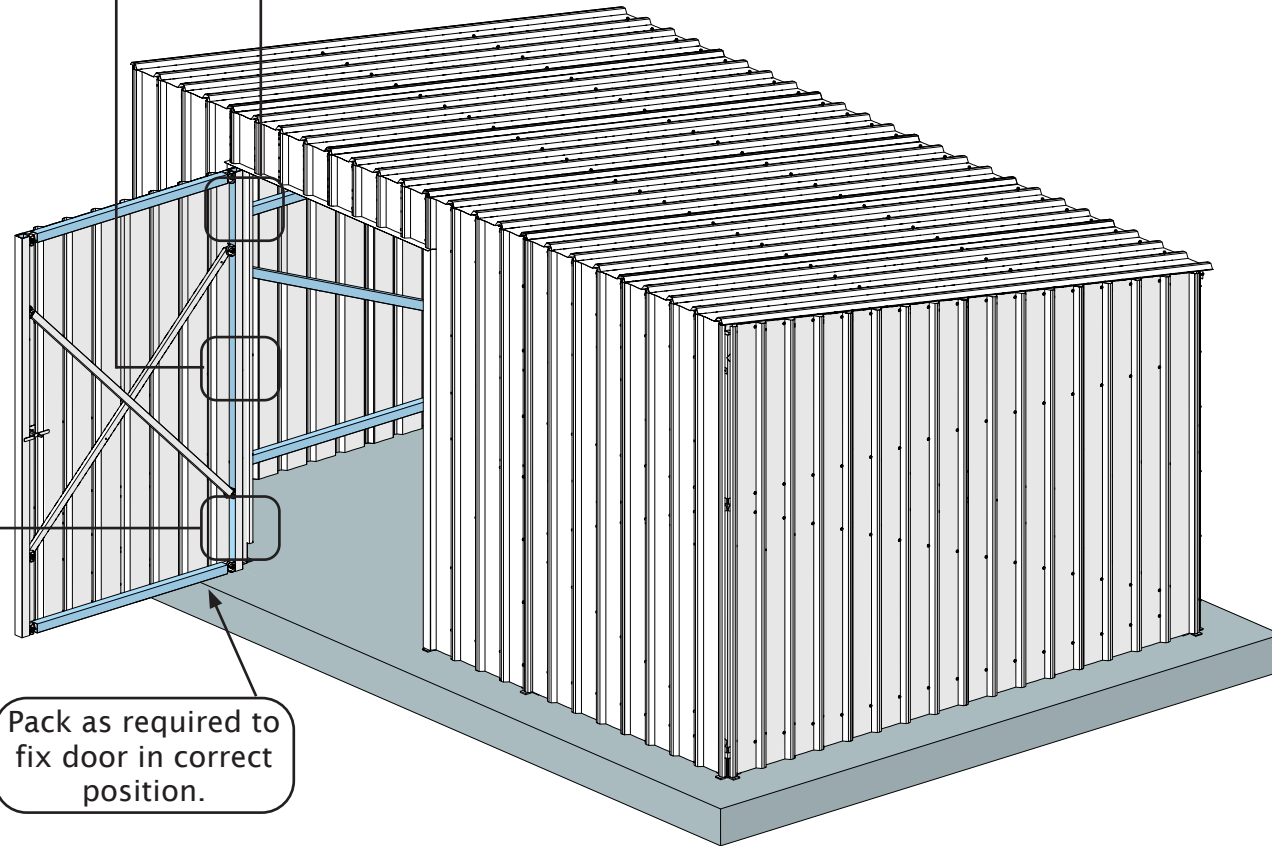
Mark and predrill 2 x
3.5mm \varnothing holes for top
hinge & fix to left door
frame post via 2
wafer head screws.

Predrill additional 2 holes
once door functionality has
been proven.



Check door for functionality
(fully opens & closes). Fix all
remaining holes with wafer
head screws.

Pack as required to
fix door in correct
position.



Approximate time
required: 0.5 Hours

Flashings

'Classic Plus'
4.5m x 3m x 2.45m Shed
Extension - Right Side

User Manual

Read in conjunction with
Kwiktech Build Guide and
Kwiktech Tips & Tricks

Designed by

kwiktech.

Engineered by

sbec. SCHMIDT
BENTLEY
ENGINEERING
CONSULTING

Rating: Region A

Rev 1.8

This Manual is the sole property of
Kwiktech Pty Ltd.
All rights are reserved.

This Manual is designed to be only
used with Kwiktech
produced products.

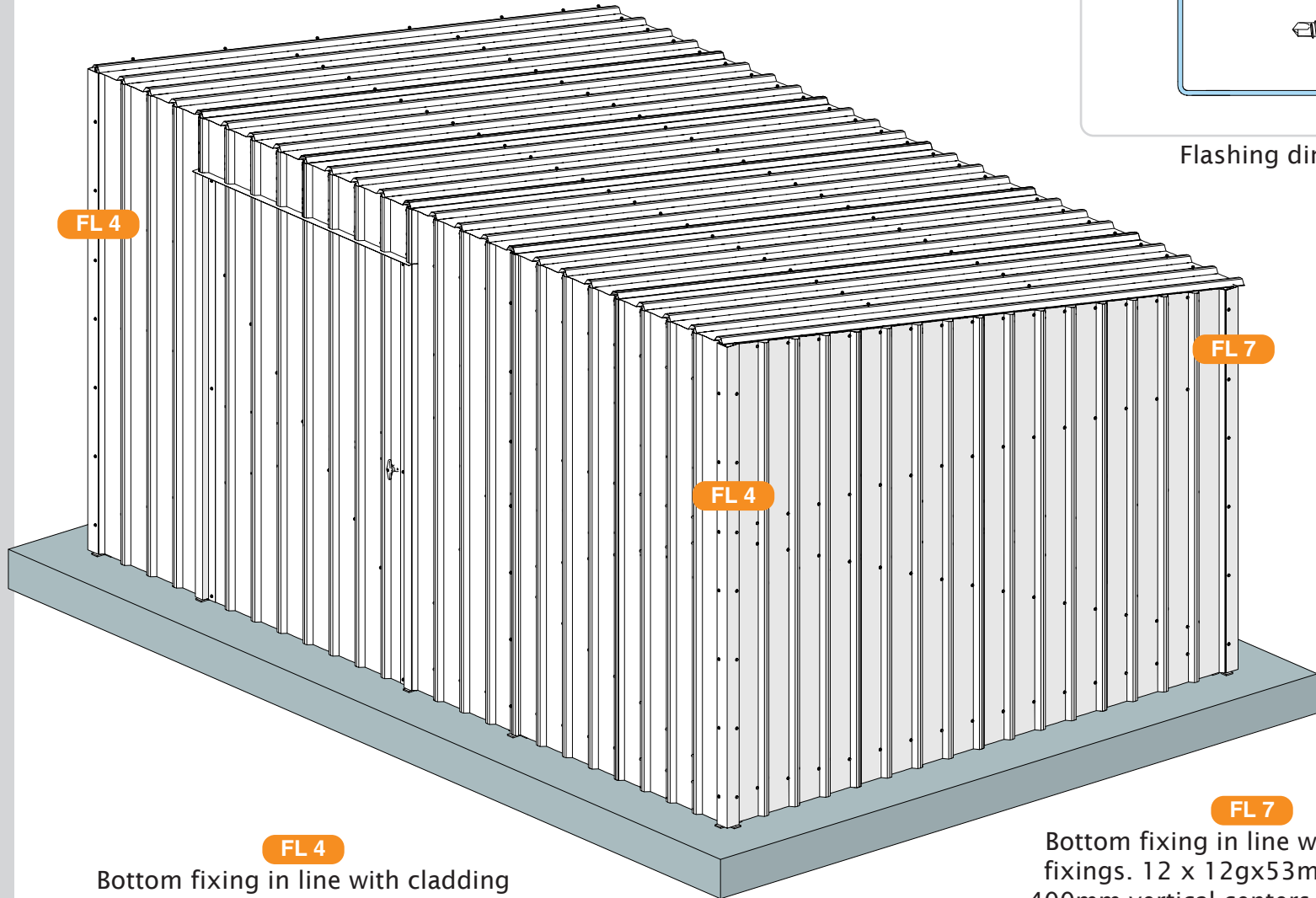
No part of this Manual or the
Kwiktech product design may be
copied or reproduced without the
consent of Kwiktech Pty Ltd.

Construction using Kwiktech
products may require planning
approval. Always contact your Local
Council for the most up-to-date
rules and regulations for your area.

All dimensions are in millimeters
(mm)

www.kwiktech.com.au
© Kwiktech Pty Ltd 2022

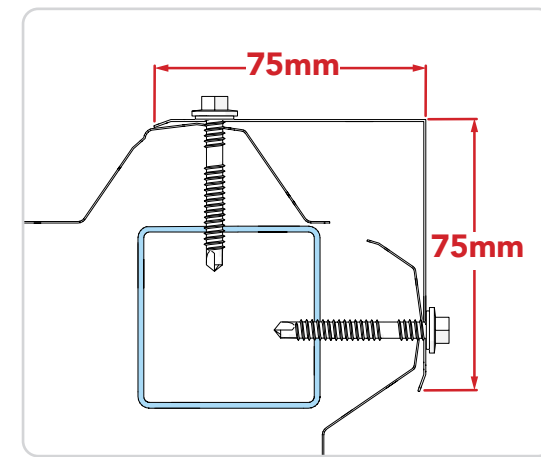
Step 1
Install front & back corner
flashings



FL 4
Bottom fixing in line with cladding
fixings. 14 x 12gx53mm screws @
400mm vertical centers to secure the
flashing to the cladding & SHS frame.

FL 7
Bottom fixing in line with cladding
fixings. 12 x 12gx53mm screws @
400mm vertical centers to secure the
flashing to the cladding & SHS frame.

Back left **FL 7** hidden due to view.
Install in the same way.



Flashing dimensions

Flashings

'Classic Plus'
4.5m x 3m x 2.45m Shed
Extension - Right Side

User Manual

Read in conjunction with
Kwiktech Build Guide and
Kwiktech Tips & Tricks

Designed by

kwiktech.

Engineered by

sbec. SCHMIDT
BENTLEY
ENGINEERING
CONSULTING

Rating: Region A

Rev 1.8

This Manual is the sole property of
Kwiktech Pty Ltd.
All rights are reserved.

This Manual is designed to be only
used with Kwiktech
produced products.

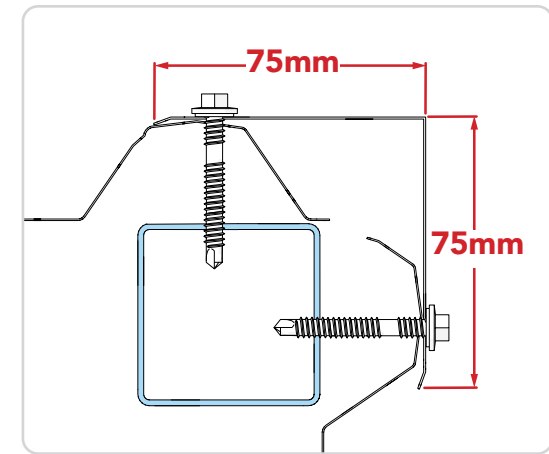
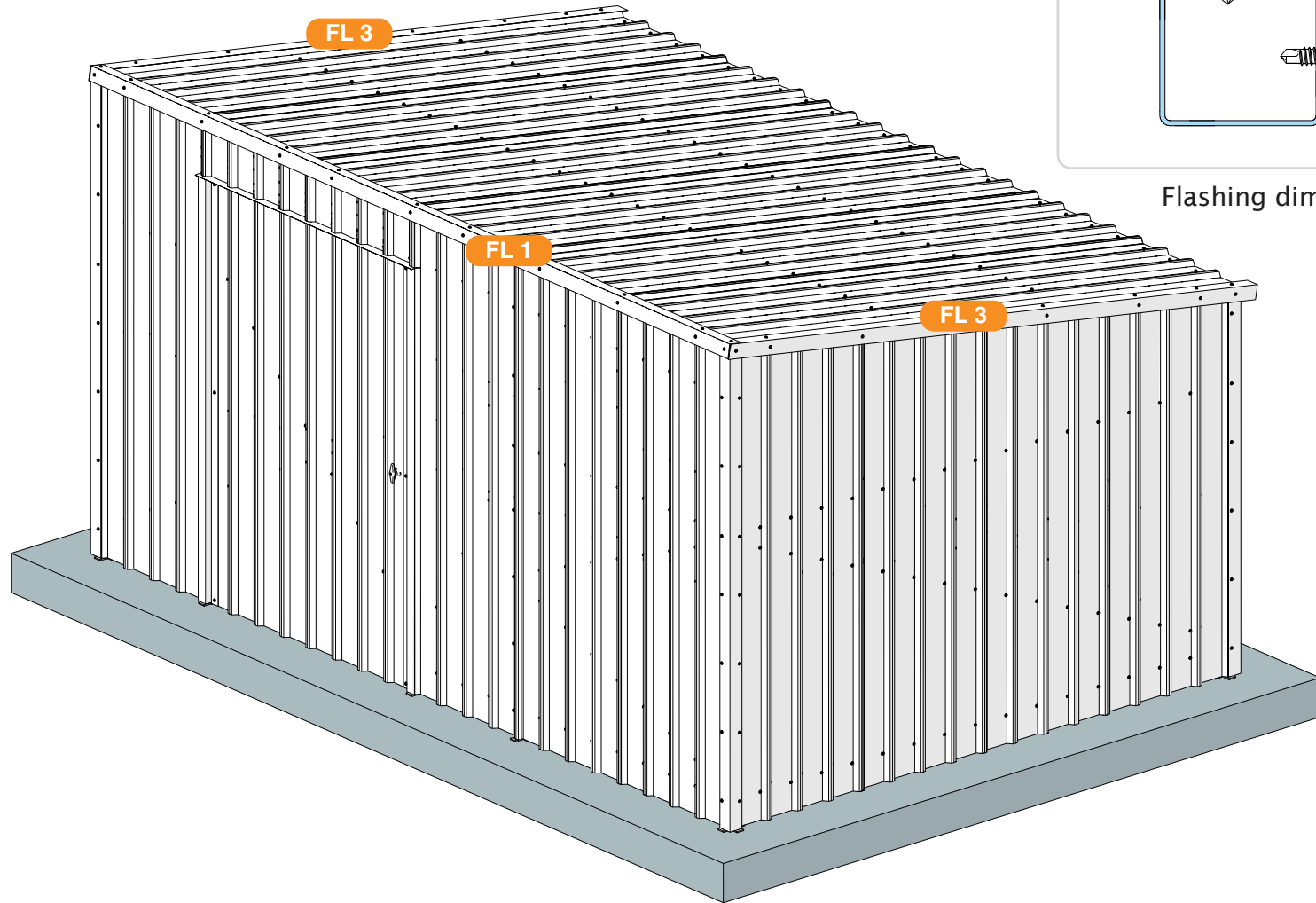
No part of this Manual or the
Kwiktech product design may be
copied or reproduced without the
consent of Kwiktech Pty Ltd.

Construction using Kwiktech
products may require planning
approval. Always contact your Local
Council for the most up-to-date
rules and regulations for your area.

All dimensions are in millimeters
(mm)

www.kwiktech.com.au
© Kwiktech Pty Ltd 2022

Step 2
Install top side flashings &
then peak flashing



Flashing dimensions

FL 1 **FL 3**
12 x 12gx53mm screws every third
peak to secure the flashing to the
cladding & SHS frame. Secure on the
sides & roof.

Shed Frame Blueprint Front

'Classic Plus'

4.5m x 3m x 2.45m Shed
Extension - Right Side

User Manual

Read in conjunction with
Kwiktech Build Guide and
Kwiktech Tips & Tricks

Designed by

kwiktech.

Engineered by

sbec. SCHMIDT
BENTLEY
ENGINEERING
CONSULTING

Rating: Region A

Rev 1.8

This Manual is the sole property of
Kwiktech Pty Ltd.
All rights are reserved.

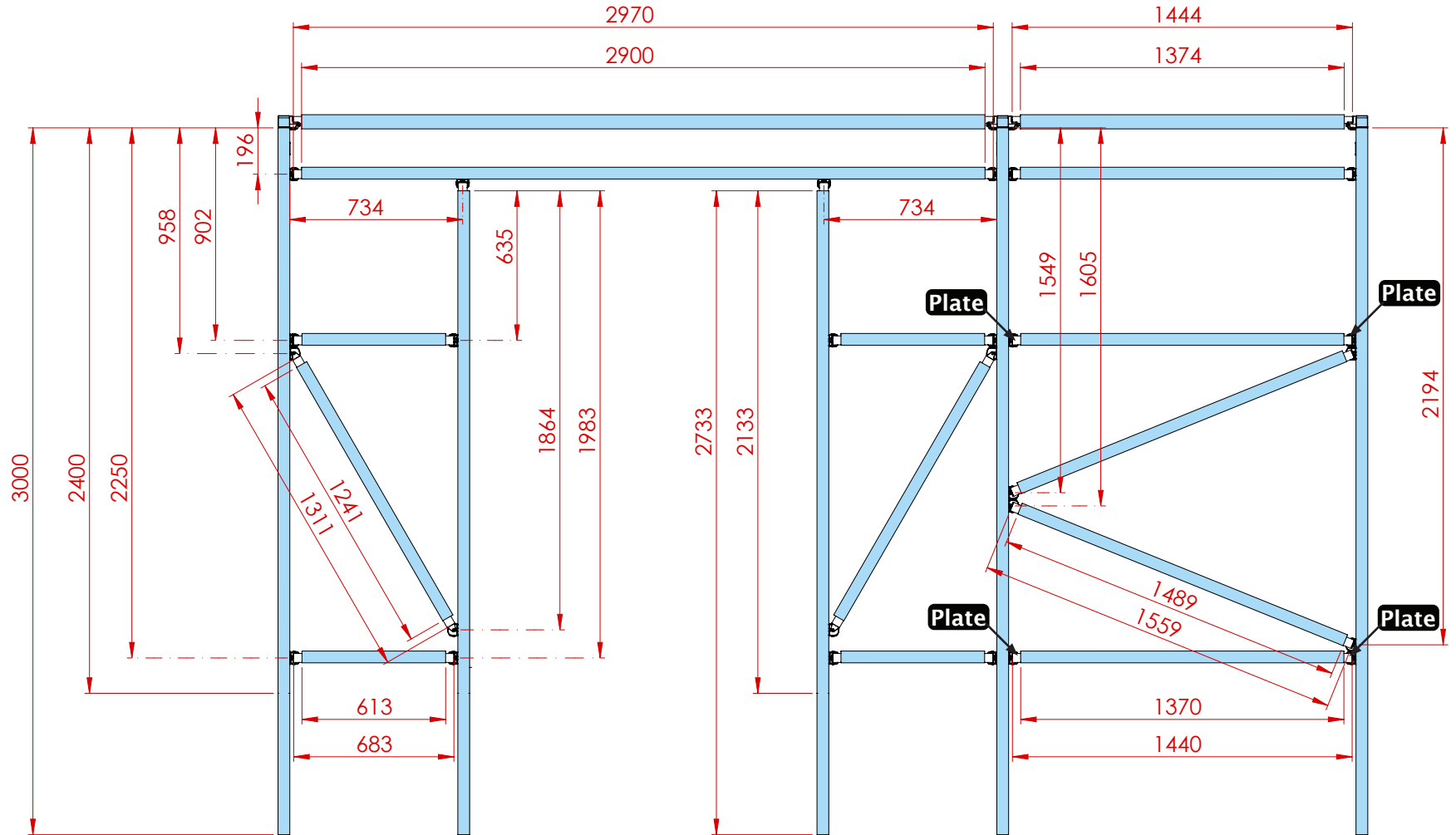
This Manual is designed to be only
used with Kwiktech
produced products.

No part of this Manual or the
Kwiktech product design may be
copied or reproduced without the
consent of Kwiktech Pty Ltd.

Construction using Kwiktech
products may require planning
approval. Always contact your Local
Council for the most up-to-date
rules and regulations for your area.

All dimensions are in millimeters
(mm)

www.kwiktech.com.au
© Kwiktech Pty Ltd 2022



Shed Frame Blueprint Door

'Classic Plus'

4.5m x 3m x 2.45m Shed
Extension - Right Side

User Manual

Read in conjunction with
Kwiktech Build Guide and
Kwiktech Tips & Tricks

Designed by

kwiktech.

Engineered by

sbec. SCHMIDT
BENTLEY
ENGINEERING
CONSULTING

Rating: Region A

Rev 1.8

This Manual is the sole property of
Kwiktech Pty Ltd.
All rights are reserved.

This Manual is designed to be only
used with Kwiktech
produced products.

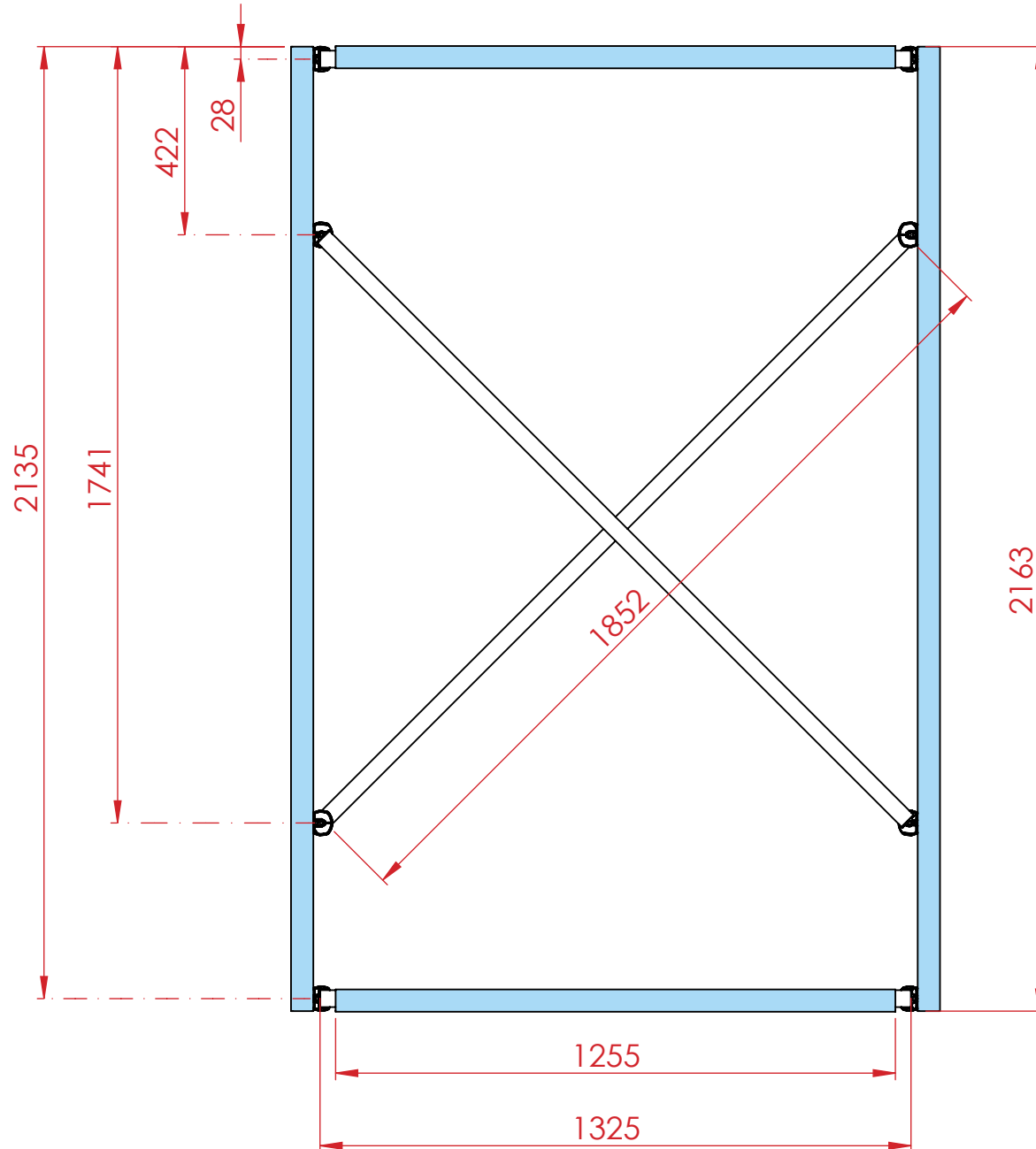
No part of this Manual or the
Kwiktech product design may be
copied or reproduced without the
consent of Kwiktech Pty Ltd.

Construction using Kwiktech
products may require planning
approval. Always contact your Local
Council for the most up-to-date
rules and regulations for your area.

All dimensions are in millimeters
(mm)

www.kwiktech.com.au

© Kwiktech Pty Ltd 2022



Shed Frame Blueprint Sides

'Classic Plus'

4.5m x 3m x 2.45m Shed
Extension - Right Side

User Manual

Read in conjunction with
Kwiktech Build Guide and
Kwiktech Tips & Tricks

Designed by

kwiktech.

Engineered by

sbec. SCHMIDT
BENTLEY
ENGINEERING
CONSULTING

Rating: Region A

Rev 1.8

This Manual is the sole property of
Kwiktech Pty Ltd.
All rights are reserved.

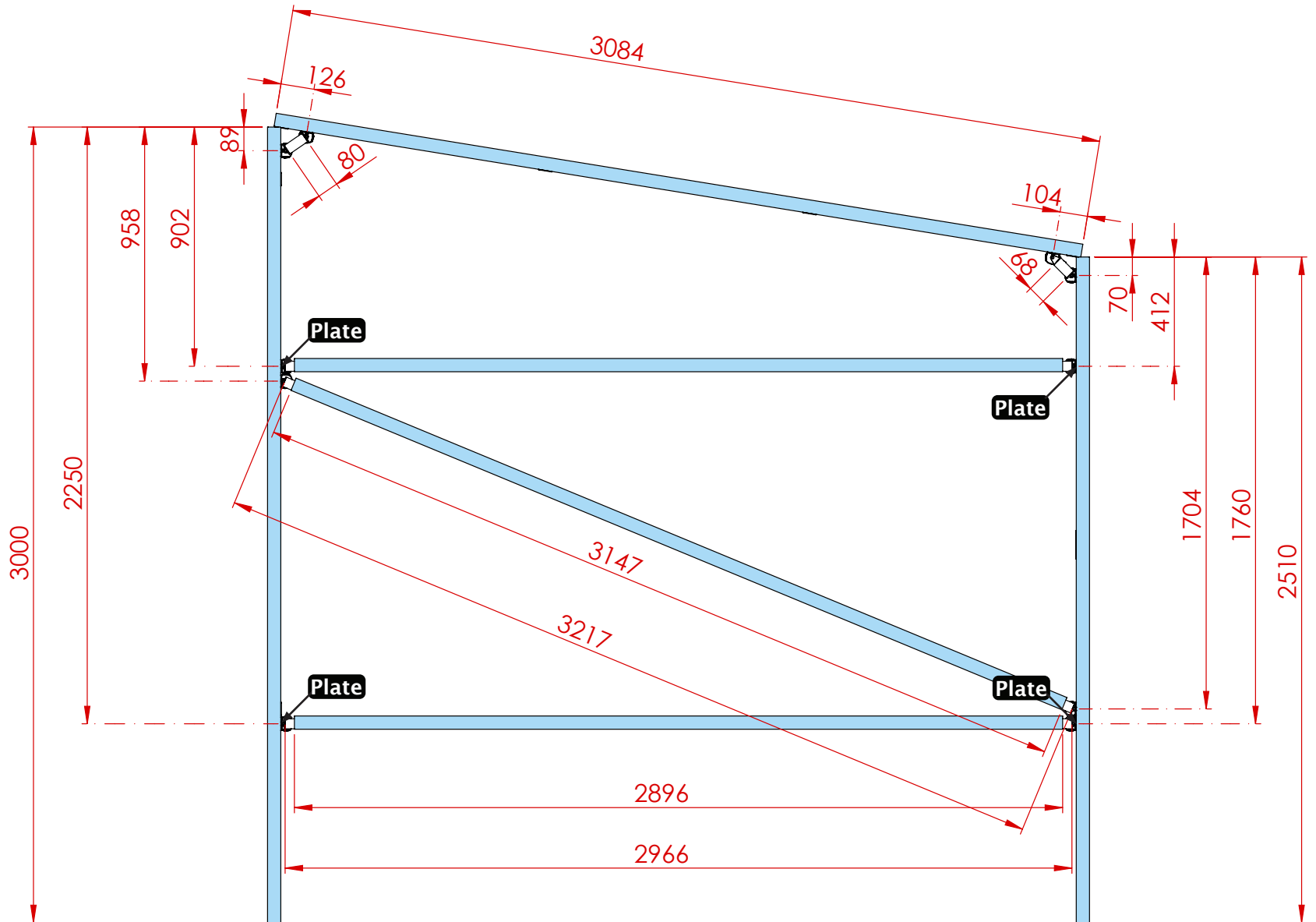
This Manual is designed to be only
used with Kwiktech
produced products.

No part of this Manual or the
Kwiktech product design may be
copied or reproduced without the
consent of Kwiktech Pty Ltd.

Construction using Kwiktech
products may require planning
approval. Always contact your Local
Council for the most up-to-date
rules and regulations for your area.

All dimensions are in millimeters
(mm)

www.kwiktech.com.au
© Kwiktech Pty Ltd 2022



Shed Frame Blueprint Back

'Classic Plus'

4.5m x 3m x 2.45m Shed
Extension - Right Side

User Manual

Read in conjunction with
Kwiktech Build Guide and
Kwiktech Tips & Tricks

Designed by

kwiktech.

Engineered by

sbec. SCHMIDT
BENTLEY
ENGINEERING
CONSULTING

Rating: Region A

Rev 1.8

This Manual is the sole property of
Kwiktech Pty Ltd.
All rights are reserved.

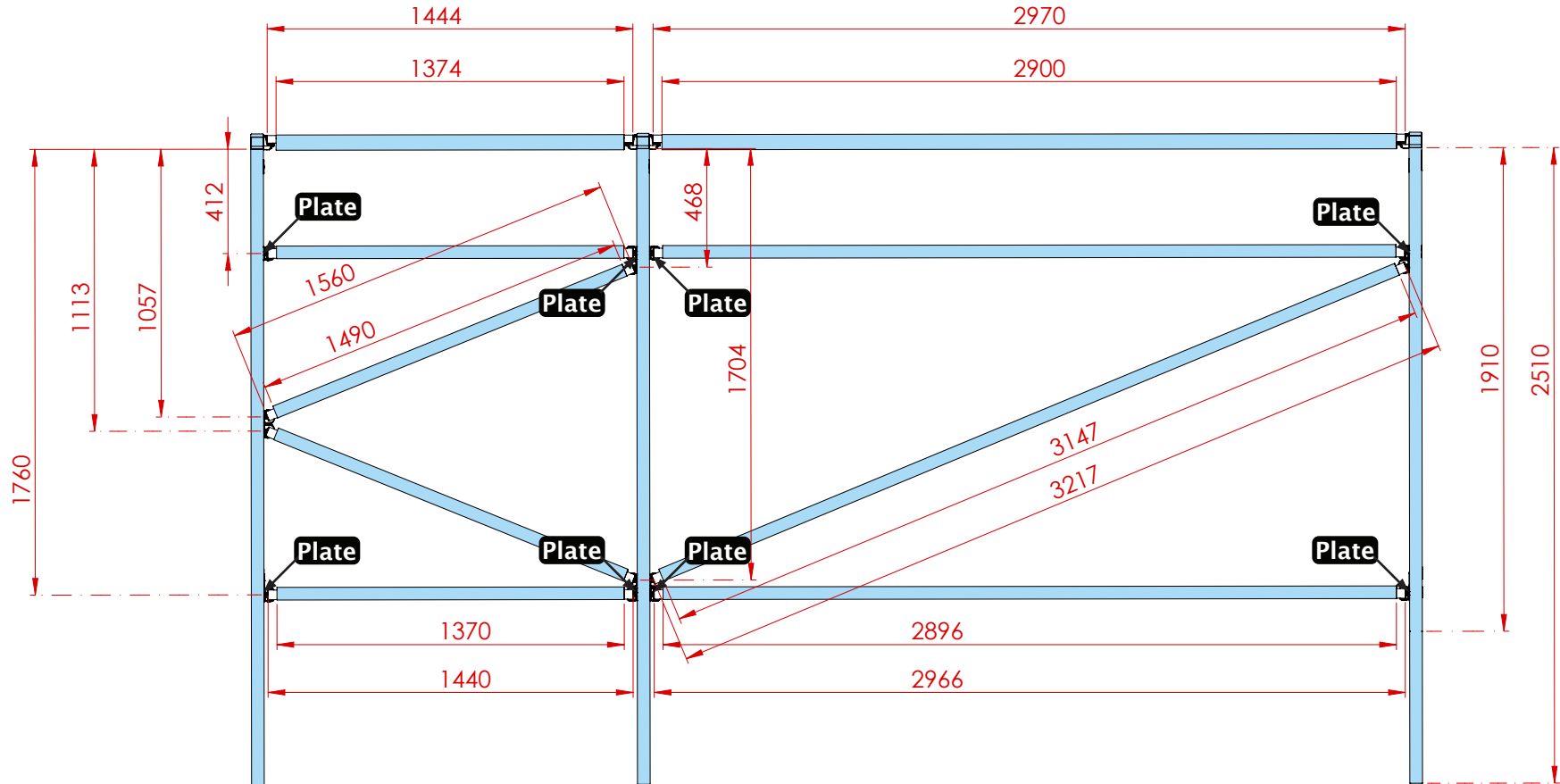
This Manual is designed to be only
used with Kwiktech
produced products.

No part of this Manual or the
Kwiktech product design may be
copied or reproduced without the
consent of Kwiktech Pty Ltd.

Construction using Kwiktech
products may require planning
approval. Always contact your Local
Council for the most up-to-date
rules and regulations for your area.

All dimensions are in millimeters
(mm)

www.kwiktech.com.au
© Kwiktech Pty Ltd 2022



Shed Frame Blueprint Roof

'Classic Plus'

4.5m x 3m x 2.45m Shed
Extension - Right Side

User Manual

Read in conjunction with
Kwiktech Build Guide and
Kwiktech Tips & Tricks

Designed by

kwiktech.

Engineered by

sbec. SCHMIDT
BENTLEY
ENGINEERING
CONSULTING

Rating: Region A

Rev 1.8

This Manual is the sole property of
Kwiktech Pty Ltd.
All rights are reserved.

This Manual is designed to be only
used with Kwiktech
produced products.

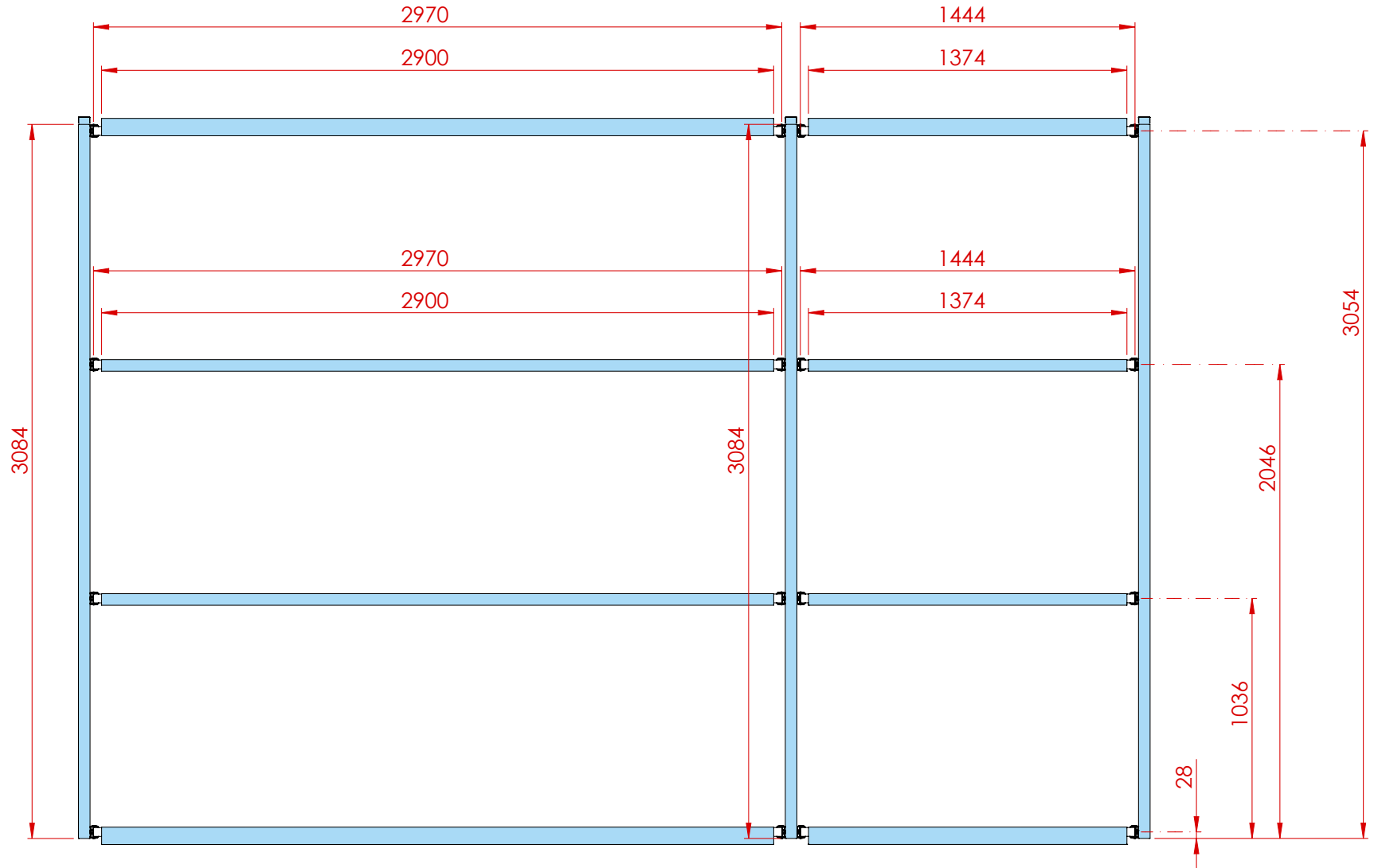
No part of this Manual or the
Kwiktech product design may be
copied or reproduced without the
consent of Kwiktech Pty Ltd.

Construction using Kwiktech
products may require planning
approval. Always contact your Local
Council for the most up-to-date
rules and regulations for your area.

All dimensions are in millimeters
(mm)

www.kwiktech.com.au

© Kwiktech Pty Ltd 2022



Engineering Calculations

'Classic Plus'
4.5m x 3m x 2.45m Shed
Extension - Right Side
User Manual

Read in conjunction with
Kwiktech Build Guide and
Kwiktech Tips & Tricks

Designed by



Engineered by



Rating: Region A

Rev 1.8

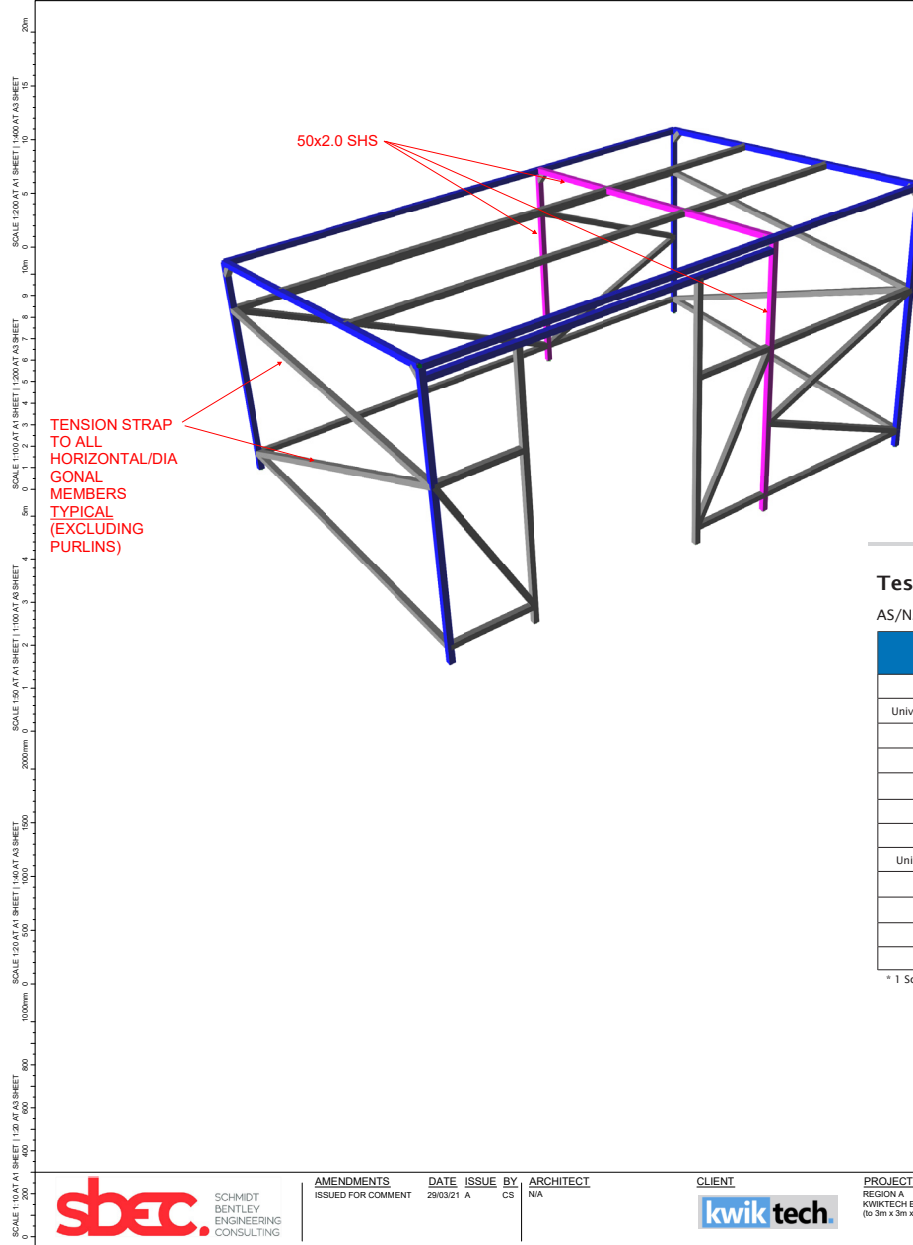
This Manual is the sole property of
Kwiktech Pty Ltd.
All rights are reserved.

This Manual is designed to be only
used with Kwiktech
produced products.

No part of this Manual or the
Kwiktech product design may be
copied or reproduced without the
consent of Kwiktech Pty Ltd.

Construction using Kwiktech
products may require planning
approval. Always contact your Local
Council for the most up-to-date
rules and regulations for your area.

All dimensions are in millimeters
(mm)



Sections:

- 1 50*1.6 SHS
- 2 50*1.6 SHS
- 3 50*2 SHS

Test Specifications

AS/NZS 1170.0-202



CONNECTION TYPE	ID #	COMPRESSION NEWTONS	TENSION NEWTONS	TENSION WITH STRAP NEWTONS*
Universal Connector + Rail Insert - 0°	1	3000	2000	5600
Universal Connector + Displacement Plate + Rail Insert - 0°	2	11500	2000	5600 - Ref ID #1
Universal Connector Rotated 90° + Rail Insert - 0°	3	8500	2000 - Ref ID #1	Not Applicable
Universal Connector + Rail Insert - 11.25°	4	11000	2000 - Ref ID #1	5600 - Ref ID #1
Universal Connector + Rail Insert - 22.5°	5	12000	2000	5600
Universal Connector + Rail Insert - 45°	6	3800	2500	6000
Universal Connector + 60° Rail Insert - 60°	7	3800	3000	6000
Universal Connector + Rail Insert Load Test 1m span - 0°	8	10000	Not Applicable	Not Applicable
Post Connector + Rail Insert (4 Screws) - 0°	9	8500 - Ref ID #3	3500	Not Applicable
Post Connector + Rail Insert (4 Screws) - 22.5°	10	8000	3500	Not Applicable
Post Connector + Rail Insert (4 Screws) - 45°	11	3800	3500	Not Applicable
Star Picket Stopper	12	3500	Not Applicable	Not Applicable

* 1 Screw at each end of Galvanized 0.8mm x 30mm wide Strapping - 10gx16 Self Drilling Small Head Flat Top (Screw B)



AMENDMENTS	DATE	ISSUE	BY	ARCHITECT
ISSUED FOR COMMENT	29/03/21	A	CS	N/A



CLIENT
REGION A
KWIKTECH EXTENSION
(0.3m x 3m x 2.45m)

DRAWING TITLE
SIDE EXTENSION - MARKUP

JOB No. SHEET No. ISSUE
SBEC 2011-13.01 S1.0 A



Engineering Calculations

'Classic Plus'
4.5m x 3m x 2.45m Shed
Extension - Right Side

User Manual

Read in conjunction with
Kwiktech Build Guide and
Kwiktech Tips & Tricks

Designed by

kwiktech.

Engineered by

sbec. SCHMIDT
BENTLEY
ENGINEERING
CONSULTING

Rating: Region A

Rev 1.8

This Manual is the sole property of
Kwiktech Pty Ltd.
All rights are reserved.

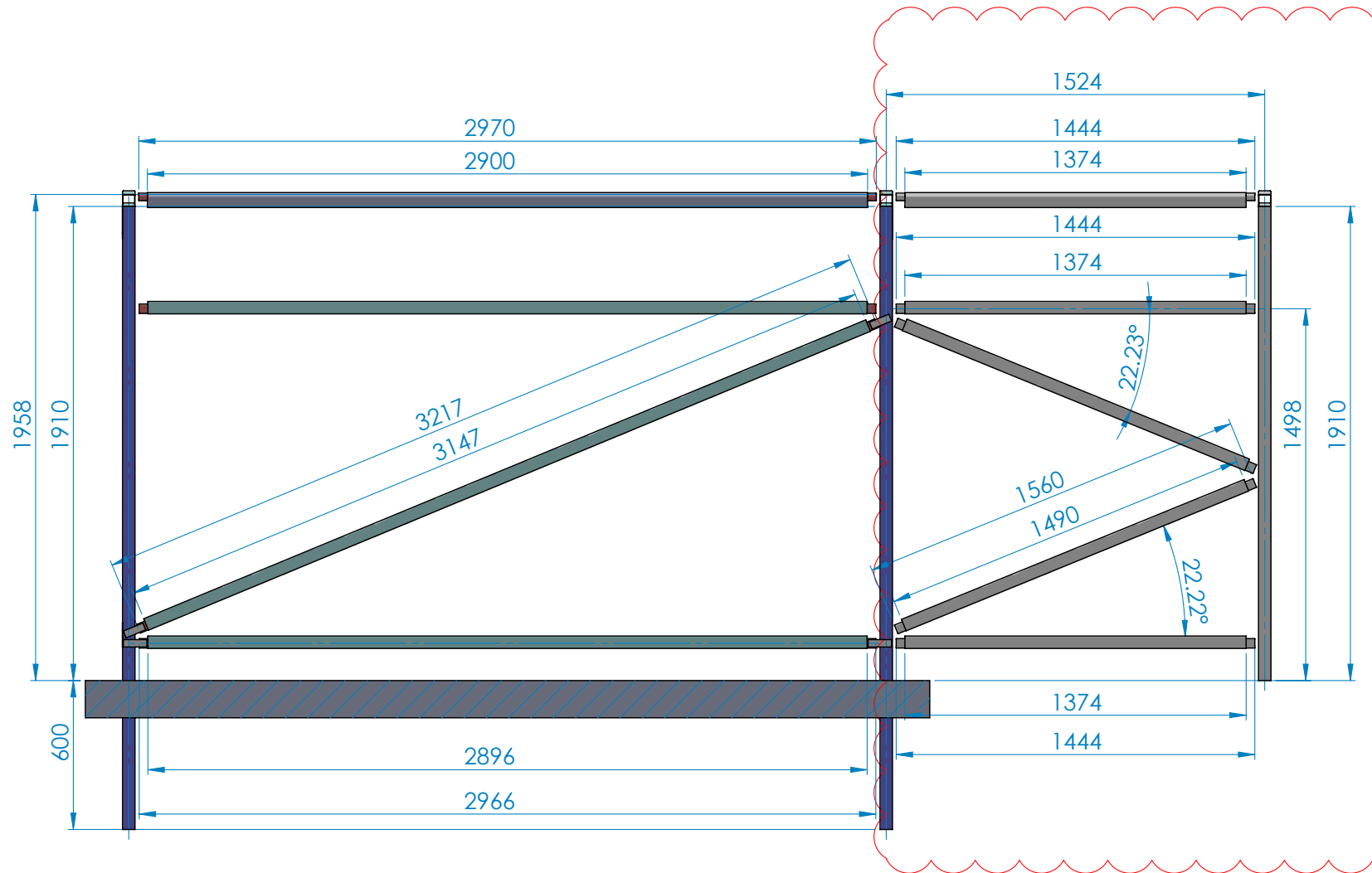
This Manual is designed to be only
used with Kwiktech
produced products.

No part of this Manual or the
Kwiktech product design may be
copied or reproduced without the
consent of Kwiktech Pty Ltd.

Construction using Kwiktech
products may require planning
approval. Always contact your Local
Council for the most up-to-date
rules and regulations for your area.

All dimensions are in millimeters
(mm)

SAME SHED DIMENSIONS AS 2.45X3X3 SHED



Engineering Calculations

'Classic Plus' 4.5m x 3m x 2.45m Shed Extension - Right Side

User Manual

Read in conjunction with
Kwiktech Build Guide and
Kwiktech Tips & Tricks

Designed by



Engineered by



Rating: Region A

Rev 1.8

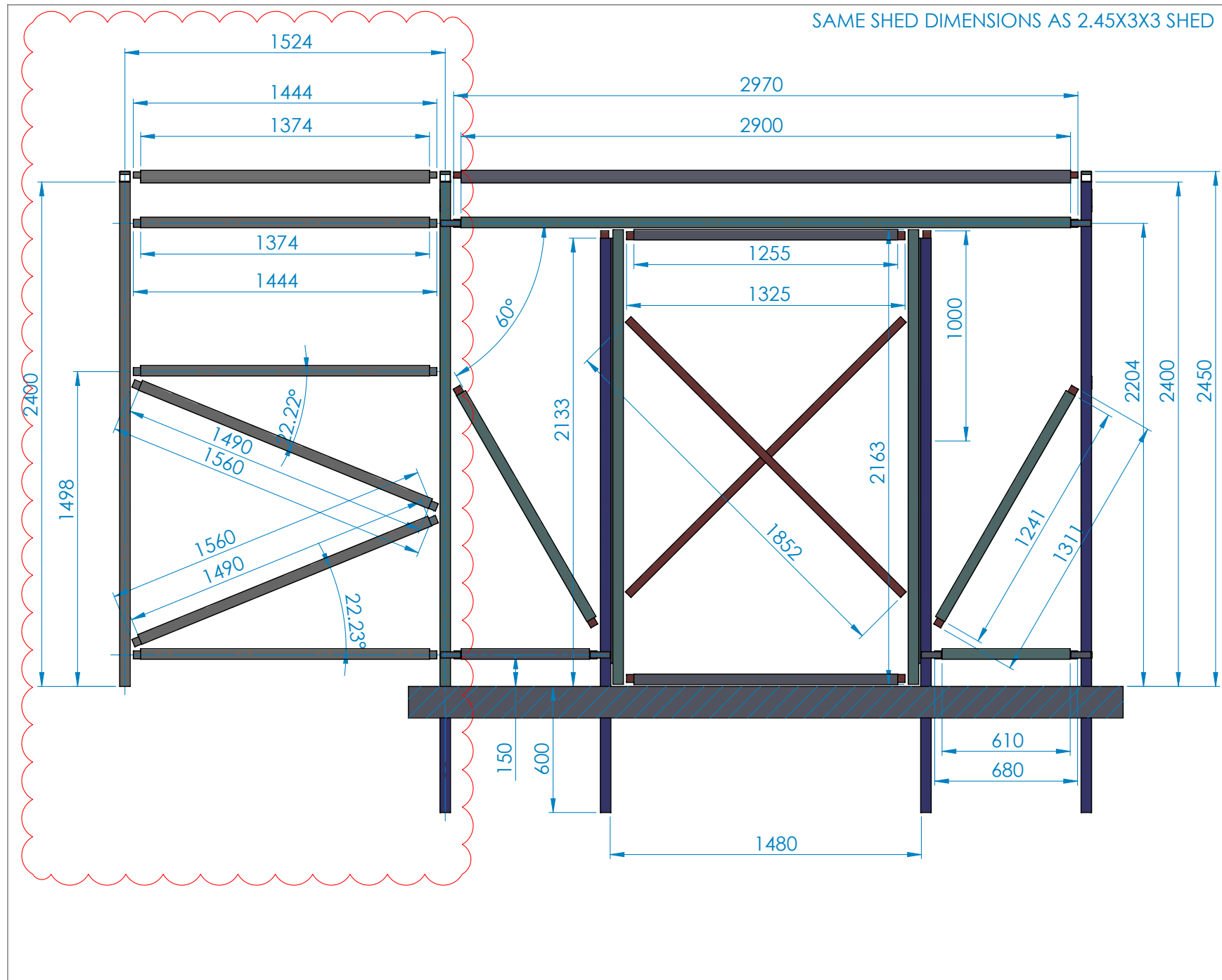
This Manual is the sole property of
Kwiktech Pty Ltd.
All rights are reserved.

This Manual is designed to be only
used with Kwiktech
produced products.

No part of this Manual or the
Kwiktech product design may be
copied or reproduced without the
consent of Kwiktech Pty Ltd.

Construction using Kwiktech
products may require planning
approval. Always contact your Local
Council for the most up-to-date
rules and regulations for your area.

All dimensions are in millimeters
(mm)



Engineering Calculations

'Classic Plus'

4.5m x 3m x 2.45m Shed
Extension - Right Side

User Manual

Read in conjunction with
Kwiktech Build Guide and
Kwiktech Tips & Tricks

Designed by

kwiktech.

Engineered by

sbec. SCHMIDT
BENTLEY
ENGINEERING
CONSULTING

Rating: Region A

Rev 1.8

This Manual is the sole property of
Kwiktech Pty Ltd.
All rights are reserved.

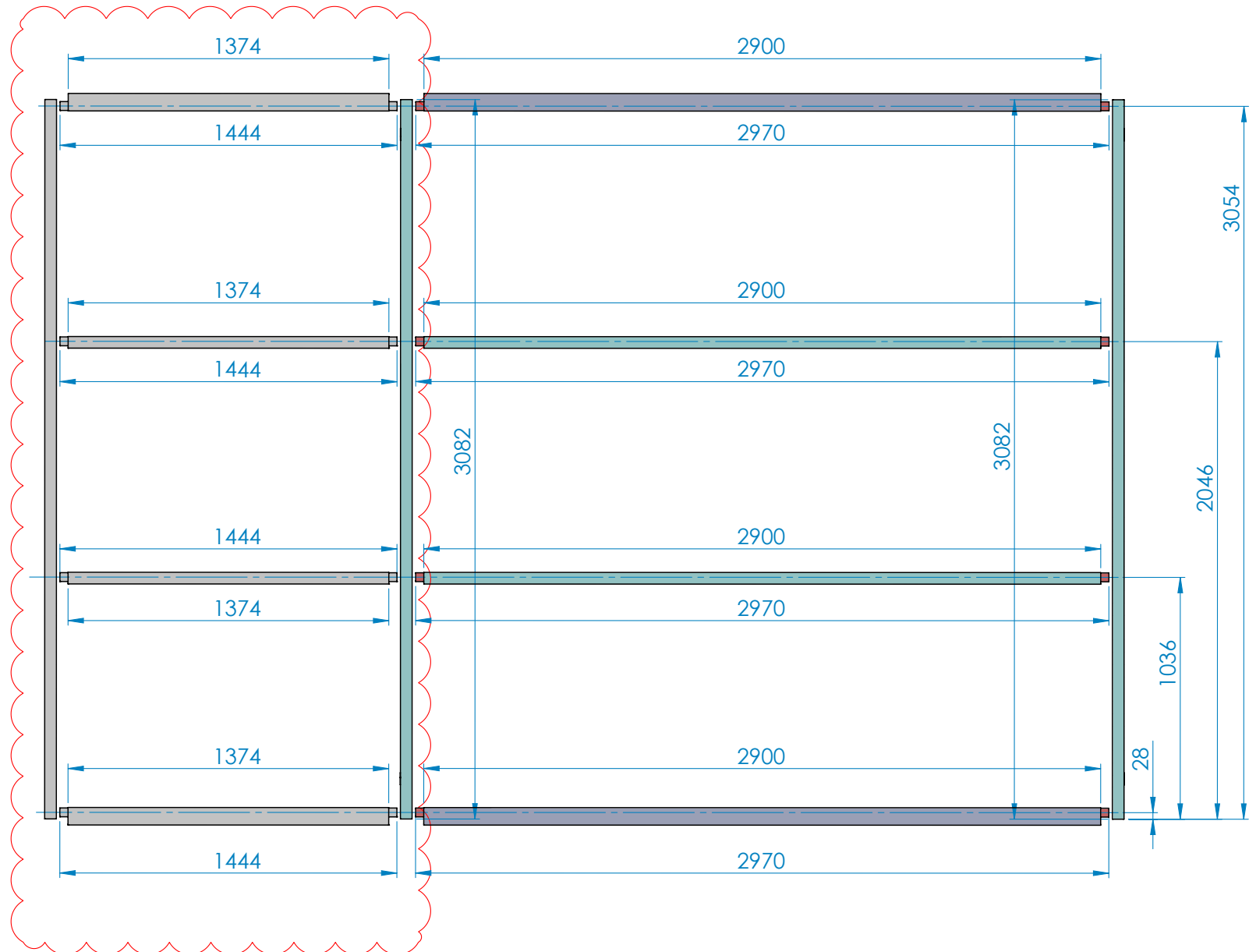
This Manual is designed to be only
used with Kwiktech
produced products.

No part of this Manual or the
Kwiktech product design may be
copied or reproduced without the
consent of Kwiktech Pty Ltd.

Construction using Kwiktech
products may require planning
approval. Always contact your Local
Council for the most up-to-date
rules and regulations for your area.

All dimensions are in millimeters
(mm)

SAME SHED DIMENSIONS AS 2.45X3X3 SHED



Engineering Calculations

'Classic Plus'

4.5m x 3m x 2.45m Shed
Extension - Right Side

User Manual

Read in conjunction with
Kwiktech Build Guide and
Kwiktech Tips & Tricks

Designed by

kwiktech.

Engineered by

sbec. SCHMIDT
BENTLEY
ENGINEERING
CONSULTING

Rating: Region A

Rev 1.8

This Manual is the sole property of
Kwiktech Pty Ltd.
All rights are reserved.

This Manual is designed to be only
used with Kwiktech
produced products.

No part of this Manual or the
Kwiktech product design may be
copied or reproduced without the
consent of Kwiktech Pty Ltd.

Construction using Kwiktech
products may require planning
approval. Always contact your Local
Council for the most up-to-date
rules and regulations for your area.

All dimensions are in millimeters
(mm)

SAME SHED DIMENSIONS AS 2.45X3X3 SHED

