

# 'Classic Inspire'

## 3m x 4.5m x 2.45m Shed Extension - Back

### *User Manual*

Read in conjunction with  
Kwiktech Build Guide and  
Kwiktech Tips & Tricks

Designed by



Engineered by



Rating: Region A

Rev 1.7

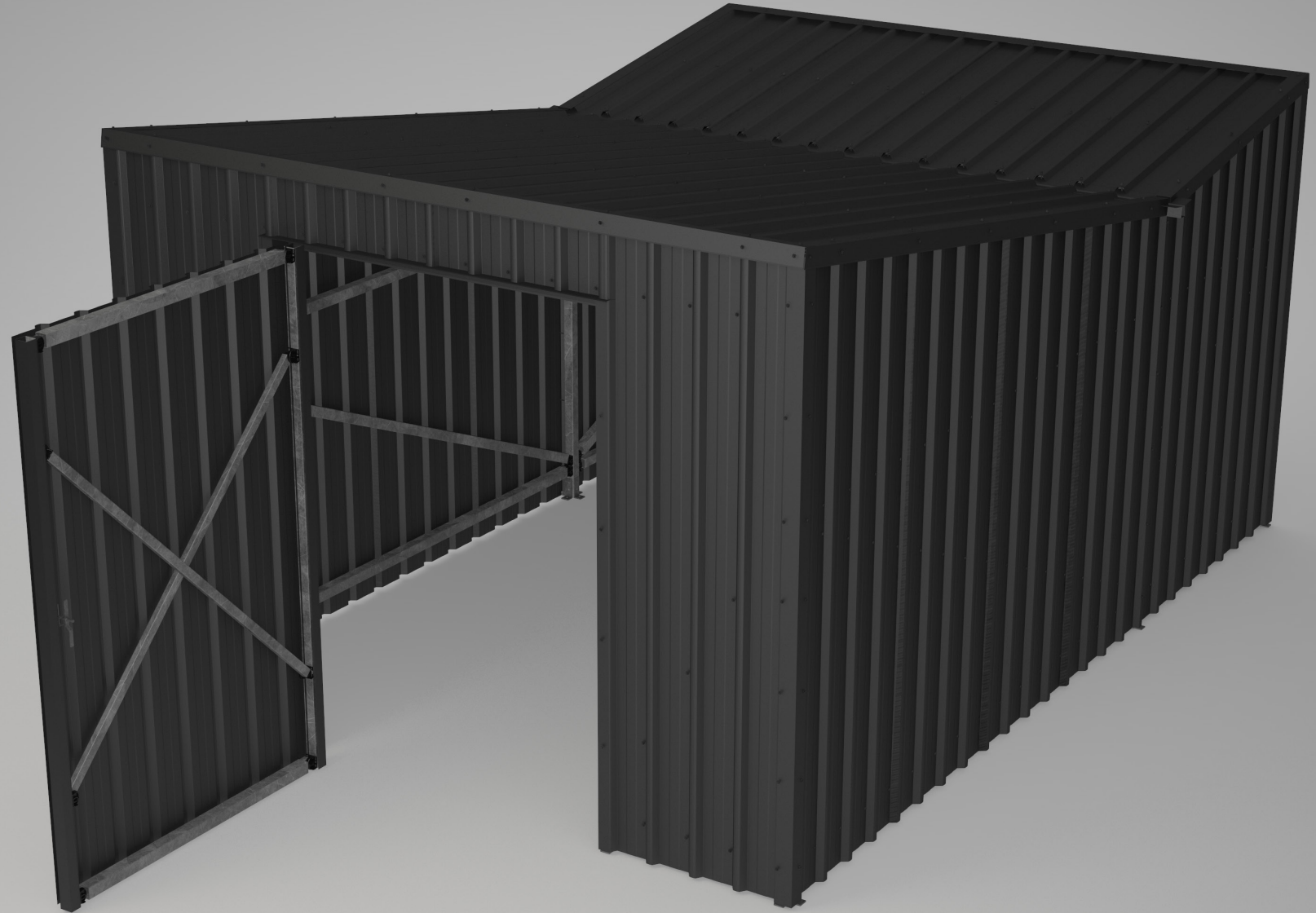
This Manual is the sole property of  
Kwiktech Pty Ltd.  
All rights are reserved.

This Manual is designed to be only  
used with Kwiktech  
produced products.

No part of this Manual or the  
Kwiktech product design may be  
copied or reproduced without the  
consent of Kwiktech Pty Ltd.

Construction using Kwiktech  
products may require planning  
approval. Always contact your Local  
Council for the most up-to-date  
rules and regulations for your area.

All dimensions are in millimeters  
(mm)



# 'Classic Inspire'

## 3m x 4.5m x 2.45m Shed Extension - Back

### *User Manual*

Read in conjunction with  
Kwiktech Build Guide and  
Kwiktech Tips & Tricks

Designed by

**kwiktech.**

Engineered by

**sbec.** SCHMIDT  
BENTLEY  
ENGINEERING  
CONSULTING

Rating: Region A

Rev 1.7

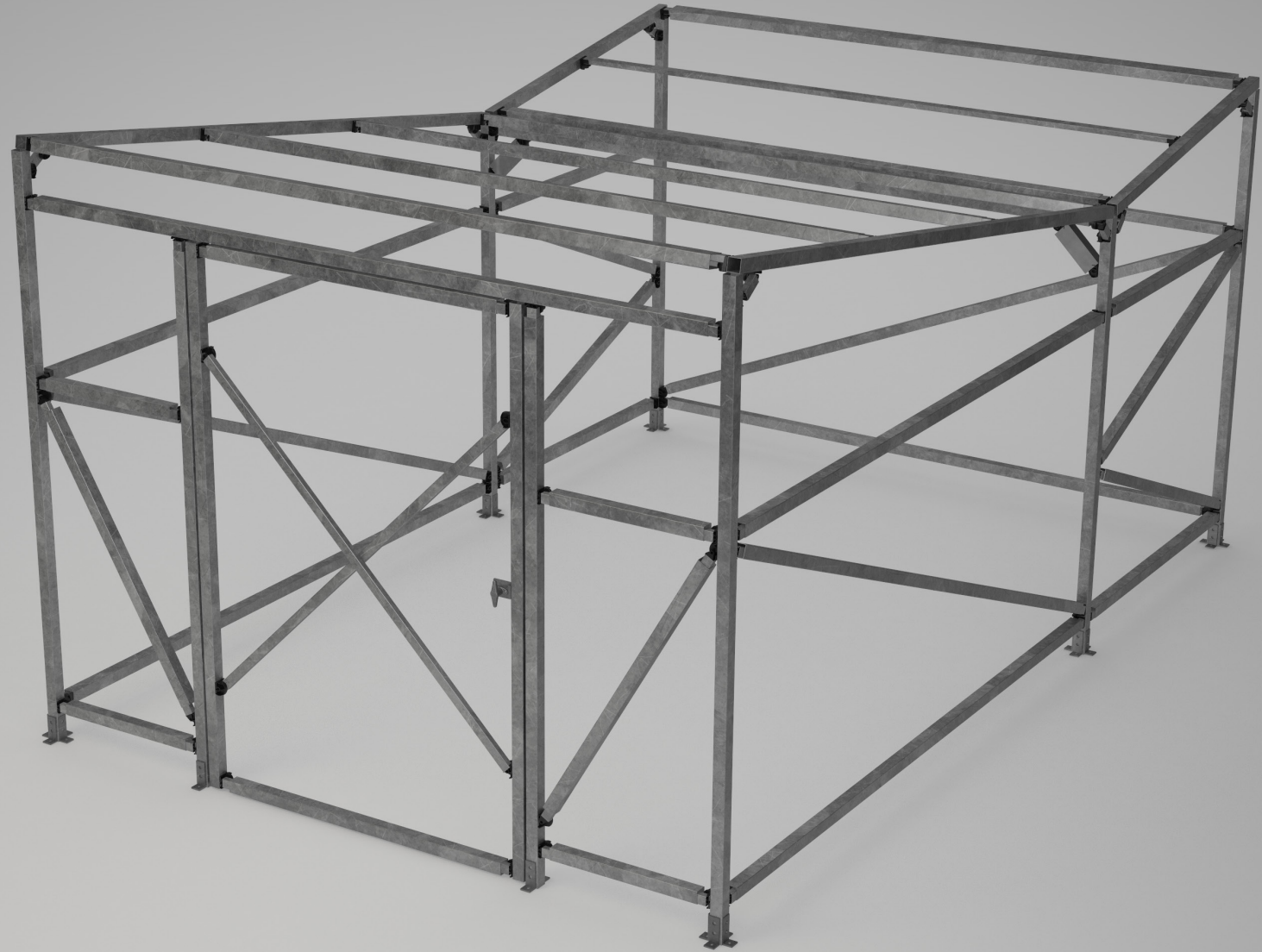
This Manual is the sole property of  
Kwiktech Pty Ltd.  
All rights are reserved.

This Manual is designed to be only  
used with Kwiktech  
produced products.

No part of this Manual or the  
Kwiktech product design may be  
copied or reproduced without the  
consent of Kwiktech Pty Ltd.

Construction using Kwiktech  
products may require planning  
approval. Always contact your Local  
Council for the most up-to-date  
rules and regulations for your area.

All dimensions are in millimeters  
(mm)



# General Arrangement

'Classic Inspire'  
3m x 4.5m x 2.45m Shed  
Extension - Back

User Manual

Read in conjunction with  
Kwiktech Build Guide and  
Kwiktech Tips & Tricks

Designed by



Engineered by



Rating: Region A

Rev 1.7

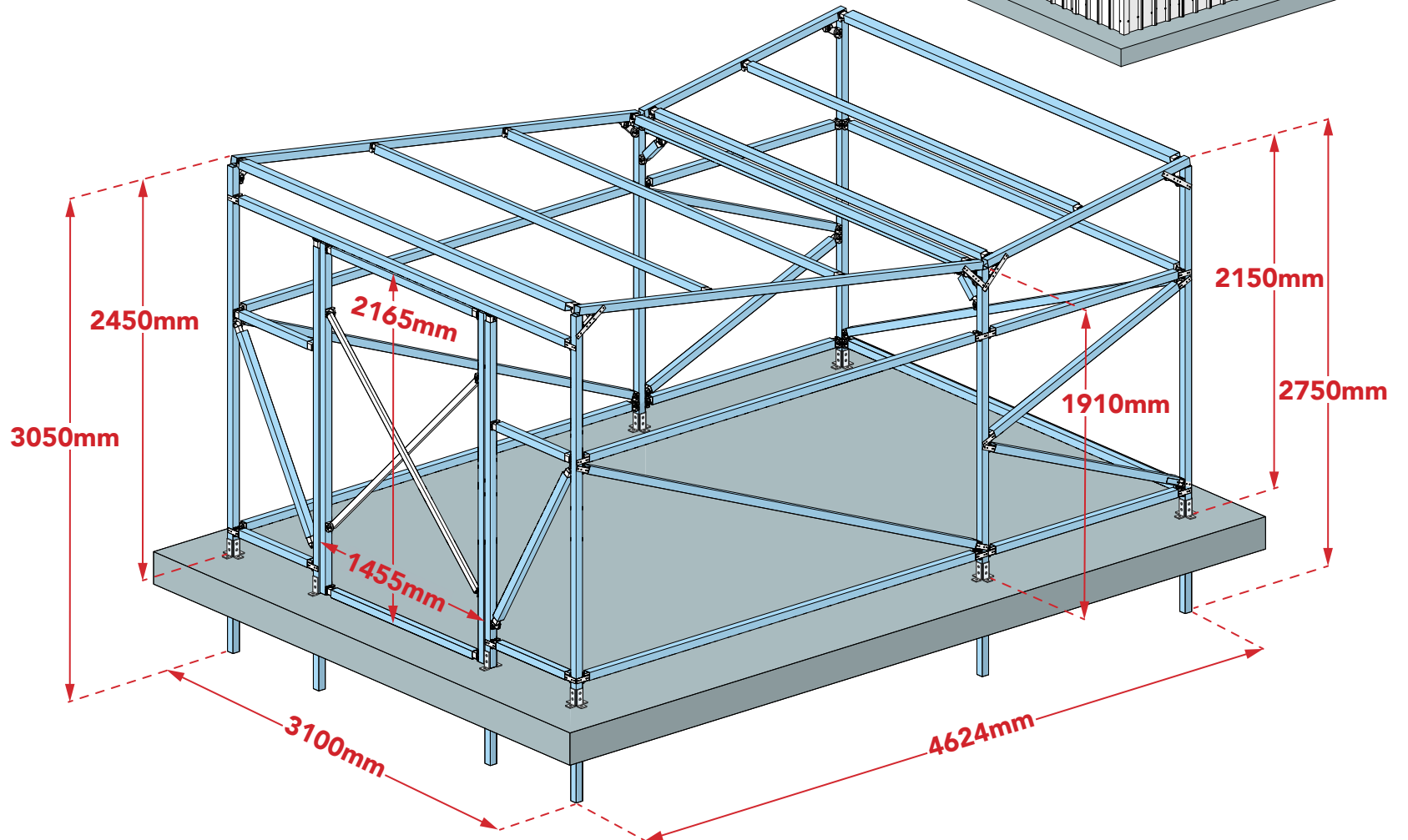
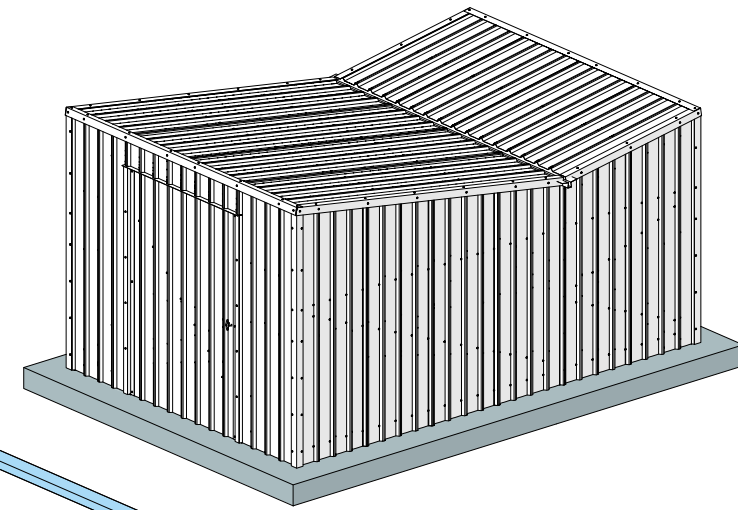
This Manual is the sole property of  
Kwiktech Pty Ltd.  
All rights are reserved.

This Manual is designed to be only  
used with Kwiktech  
produced products.

No part of this Manual or the  
Kwiktech product design may be  
copied or reproduced without the  
consent of Kwiktech Pty Ltd.

Construction using Kwiktech  
products may require planning  
approval. Always contact your Local  
Council for the most up-to-date  
rules and regulations for your area.

All dimensions are in millimeters  
(mm)



# Materials List

'Classic Inspire'  
3m x 4.5m x 2.45m Shed  
Extension - Back

User Manual

Read in conjunction with  
Kwiktech Build Guide and  
Kwiktech Tips & Tricks

Designed by



Engineered by



Rating: Region A

Rev 1.7

This Manual is the sole property of  
Kwiktech Pty Ltd.  
All rights are reserved.

This Manual is designed to be only  
used with Kwiktech  
produced products.

No part of this Manual or the  
Kwiktech product design may be  
copied or reproduced without the  
consent of Kwiktech Pty Ltd.

Construction using Kwiktech  
products may require planning  
approval. Always contact your Local  
Council for the most up-to-date  
rules and regulations for your area.

All dimensions are in millimeters  
(mm)

www.kwiktech.com.au  
© Kwiktech Pty Ltd 2022

## NON KWIKTECH ITEMS

ITEM	ITEM ID #	ASSEMBLY ID #	LENGTH	COLOUR	QUANTITY	RESELLER PRICE
RHS 75x50x2.0mm	1	A	2900	Galv	2	
RHS 75x50x2.0mm	2	K	179	Galv	2	
SHS 50x50x2mm	3 4		2510*	Galv	2	
SHS 50x50x1.5mm or 1.6mm	5	B	3147	Galv	3	
SHS 50x50x1.5mm or 1.6mm	6 7		3068	Galv	2	
SHS 50x50x1.5mm or 1.6mm	8 9		3000*	Galv	2	
SHS 50x50x1.5mm or 1.6mm (Displacement plates both ends)	10	C	2900	Galv	7	
SHS 50x50x1.5mm or 1.6mm	11	D	2896	Galv	6	
SHS 50x50x1.5mm or 1.6mm	12 13		2750*	Galv	2	
SHS 50x50x1.5mm or 1.6mm	14 15	E	2733*	Galv	2	
SHS 50x50x1.5mm or 1.6mm	16		2163	Galv	2	
SHS 50x50x1.5mm or 1.6mm	17 18		1537	Galv	2	
SHS 50x50x1.5mm or 1.6mm (Displacement plates both ends)	19	F	1490	Galv	4	
SHS 50x50x1.5mm or 1.6mm	20	G	1370	Galv	4	
SHS 50x50x1.5mm or 1.6mm	21	H	1255	Galv	2	
SHS 50x50x1.5mm or 1.6mm	22	I	1241	Galv	2	
SHS 50x50x1.5mm or 1.6mm	23	J	613	Galv	4	
RHS 38x25x1.2mm or 1.6mm	24	B	3217	Galv	3	
RHS 38x25x1.2mm or 1.6mm	25	A C	2970	Galv	9	
RHS 38x25x1.2mm or 1.6mm (Displacement plates both ends)	26	D	2966	Galv	6	
RHS 38x25x1.2mm or 1.6mm	27		2023	Galv	2	
RHS 38x25x1.2mm or 1.6mm	28		1852	Galv	2	
RHS 38x25x1.2mm or 1.6mm	29	F	1560	Galv	4	
RHS 38x25x1.2mm or 1.6mm (Displacement plates both ends)	30	G	1440	Galv	4	
RHS 38x25x1.2mm or 1.6mm	31	H	1325	Galv	2	
RHS 38x25x1.2mm or 1.6mm	32	I	1311	Galv	2	
RHS 38x25x1.2mm or 1.6mm	33	E	1000	Galv	2	
RHS 38x25x1.2mm or 1.6mm	34	J	683	Galv	4	
RHS 38x25x1.2mm or 1.6mm (Used for optional temporary corner braces)	35		442	Galv	4	
RHS 38x25x1.2mm or 1.6mm	36	K	219	Galv	2	
RHS 38x25x1.2mm or 1.6mm	37		80	Galv	4	
RHS 38x25x1.2mm or 1.6mm	38		68	Galv	5	

\*NOTE: If fixing the shed on existing concrete, reduce these member lengths by 600mm.

# Materials List

'Classic Inspire'  
3m x 4.5m x 2.45m Shed  
Extension - Back

User Manual

Read in conjunction with  
Kwiktech Build Guide and  
Kwiktech Tips & Tricks

Designed by



Engineered by



Rating: Region A

Rev 1.7

This Manual is the sole property of  
Kwiktech Pty Ltd.  
All rights are reserved.

This Manual is designed to be only  
used with Kwiktech  
produced products.

No part of this Manual or the  
Kwiktech product design may be  
copied or reproduced without the  
consent of Kwiktech Pty Ltd.

Construction using Kwiktech  
products may require planning  
approval. Always contact your Local  
Council for the most up-to-date  
rules and regulations for your area.

All dimensions are in millimeters  
(mm)

ITEM	QUANTITY	RESELLER PRICE
Kwiktech DIY Rated Shed Kit (NOTE: Some items will not be used)	2	

## NON KWIKTECH ITEMS

ITEM	ID #	LENGTH	COLOUR	QUANTITY	RESELLER PRICE
TrimDek Cladding 762x29x0.42mm or 0.48mm - Front Roof	RF 1	3090	Customers Choice	4	
TrimDek Cladding 762x29x42mm or 0.48mm - Back Roof	RF 2	1550		4	
TrimDek Cladding 762x29x42mm or 0.48mm - Front Outers	CL 1	2450		2	
TrimDek Cladding 762x29x42mm or 0.48mm - Front Side 1	CL 2	2450		2	
TrimDek Cladding 762x29x42mm or 0.48mm - Front Side 2	CL 3	2325		2	
TrimDek Cladding 762x29x42mm or 0.48mm - Front Side 3	CL 4	2200		2	
TrimDek Cladding 762x29x42mm or 0.48mm - Front Side 4	CL 5	2075		2	
TrimDek Cladding 762x29x42mm or 0.48mm - Back Side 1	CL 6	2075		2	
TrimDek Cladding 762x29x42mm or 0.48mm - Back Side 2	CL 7	2200		2	
TrimDek Cladding 762x29x42mm or 0.48mm - Back	CL 8	2200		4	
TrimDek Cladding 762x29x42mm or 0.48mm - Door	CL 9	2165	2		
TrimDek Cladding 762x29x42mm or 0.48mm - Front above Door	CL 10	280	2		
Front Peak Flashing	FL 1	3170	Galv	1	
Back Peak Flashing	FL 2	3170		1	
Front Roof Sides Flashing	FL 3	3135		2	
Front Corners Flashing	FL 4	2450		2	
Door Frame Housing Flashing	FL 5	2172		2	
Door Side Flashing	FL 6	2165		2	
Back Corners Flashing	FL 7	1950		2	
Back Roof Sides Flashing	FL 8	1590		2	
Above Door Flashing	FL 9	1590		1	
Internal Door Frame Flashing	FL 10	1518		1	
Internal Bracing Outer Flashing	FL 11	330		2	
Internal Bracing Inner Flashing	FL 12	250		2	
Door Lock Flashing	FL 13.1 FL 13.2	40	1		

Refer to  
page 36 for  
details

# Materials List

'Classic Inspire'  
3m x 4.5m x 2.45m Shed  
Extension - Back

User Manual

Read in conjunction with  
Kwiktech Build Guide and  
Kwiktech Tips & Tricks

Designed by



Engineered by



Rating: Region A

Rev 1.7

This Manual is the sole property of  
Kwiktech Pty Ltd.  
All rights are reserved.

This Manual is designed to be only  
used with Kwiktech  
produced products.

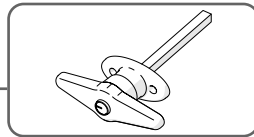
No part of this Manual or the  
Kwiktech product design may be  
copied or reproduced without the  
consent of Kwiktech Pty Ltd.

Construction using Kwiktech  
products may require planning  
approval. Always contact your Local  
Council for the most up-to-date  
rules and regulations for your area.

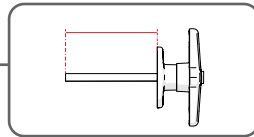
All dimensions are in millimeters  
(mm)

## NON KWIKTECH ITEMS

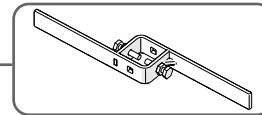
ITEM	ID #	LENGTH	COLOUR	QUANTITY	RESELLER PRICE
Shed Lowpoint Gutter	<b>G 1</b>	3310	Galv	1	
100x100x2.5 Zinc Plated Butt Hinge		100	Galv	3	
Tee Handle Kit & Inside Latch		-	-	1	
Tek Screw 16mmx10g Coloured		16	Customers Choice	600	
Tek Screw 53mmx12g Coloured - Neo		53		300	
M12x75 4.6 Hex head Galv Bolt & Nut	Only required if fixing to existing concrete.	75	Galv	14	
P1326H Ninety Degree Fitting HG		105	Galv	28	
Dynabolt DP12100 M10 12x100 Galv		100	Galv	28	
38x25 Black Plastic Post Cap		38	Black	2	
				Sub-Total	
				GST	
				Shipping	
				Total Cost	



Tee Handle



Minimum Tee Handle  
Length 75mm



Recommend using a heavy  
duty inner lock, such as the  
one pictured above.

# Materials List

'Classic Inspire'  
3m x 4.5m x 2.45m Shed  
Extension - Back

User Manual

Read in conjunction with  
Kwiktech Build Guide and  
Kwiktech Tips & Tricks

Designed by



Engineered by



Rating: Region A

Rev 1.7

This Manual is the sole property of  
Kwiktech Pty Ltd.  
All rights are reserved.

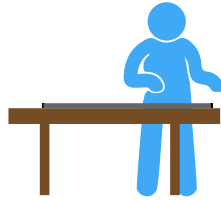
This Manual is designed to be only  
used with Kwiktech  
produced products.

No part of this Manual or the  
Kwiktech product design may be  
copied or reproduced without the  
consent of Kwiktech Pty Ltd.

Construction using Kwiktech  
products may require planning  
approval. Always contact your Local  
Council for the most up-to-date  
rules and regulations for your area.

All dimensions are in millimeters  
(mm)

## Build Preparation



Rail Inserts



Extra Strong Rails



Universal  
Connectors

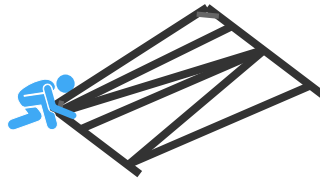


Door Stopper

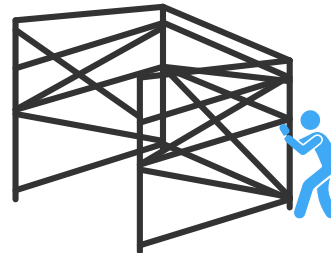


Footing  
Preparation

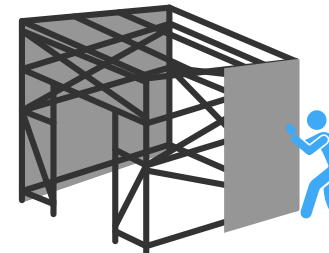
## Assembly Sequence



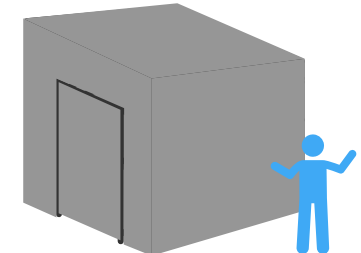
Fabricate



Erect & Fabricate



Cladding & Flashings



Finished Product

### REQUIRED KWIKTECH ITEMS (INCLUDED IN KIT)

ITEM	QUANTITY	ITEM	QUANTITY
Post Connector (KT-P-001)	0	10G x 16 Self Drilling Wafer Head Screw	1200
Universal Connector (KT-P-002)	120	M6 x 40 Socket Head Cap Screw - Zinc	120
Rail Inserts (KT-P-003)	108	M6 x 20 Hex Head Bolt - Galv	0
60° Rail Inserts (KT-P-004)	12	M6 Nut - Galv	0
Star Picket Guide (KT-P-005)	0	Kwiktech 2mm Displacement Plate	24
Post Cap (KT-P-006)	0	Right Angle Bracket - Zinc	4
Tension Strapping 0.8 x 30 x 85mm	0	Assembly Wedge - Rubber	2
Tension Strapping 0.8 x 30 x 95mm	48	10G x 16 Self Drilling Small Head Flat Top Screw	260
Tension Strapping 0.8 x 30 x 135mm	0		
Tension Strapping 0.8 x 30 x 250mm	10		

### HOLLOW METAL TOTAL

ITEM	TOTAL LENGTH
Duragal 75x50x2.0mm	6m
Duragal 50x50x2mm	5.1m
Duragal 50x50x1.5mm	99m
Duragal 38x25x1.2mm	87m

FOR  
INFORMATION  
ONLY

# Member Locations

'Classic Inspire'  
3m x 4.5m x 2.45m Shed  
Extension - Back

User Manual

Read in conjunction with  
Kwiktech Build Guide and  
Kwiktech Tips & Tricks

Designed by

**kwiktech.**

Engineered by

**sbec.** SCHMIDT  
BENTLEY  
ENGINEERING  
CONSULTING

Rating: Region A

Rev 1.7

This Manual is the sole property of  
Kwiktech Pty Ltd.  
All rights are reserved.

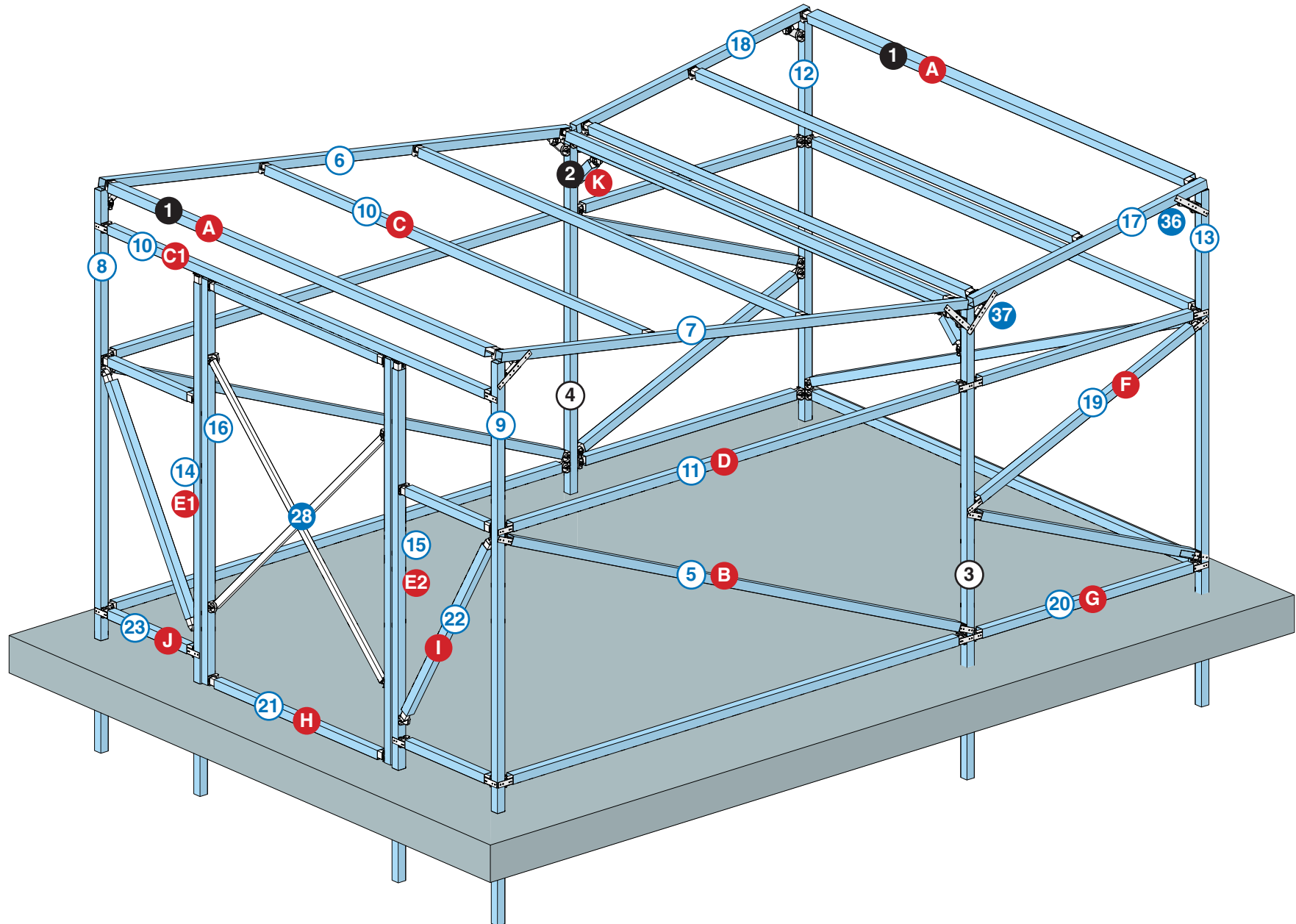
This Manual is designed to be only  
used with Kwiktech  
produced products.

No part of this Manual or the  
Kwiktech product design may be  
copied or reproduced without the  
consent of Kwiktech Pty Ltd.

Construction using Kwiktech  
products may require planning  
approval. Always contact your Local  
Council for the most up-to-date  
rules and regulations for your area.

All dimensions are in millimeters  
(mm)

[www.kwiktech.com.au](http://www.kwiktech.com.au)  
© Kwiktech Pty Ltd 2022



**NOTE:** Some member ID's hidden for clarity.



# Gutter

'Classic Inspire'  
3m x 4.5m x 2.45m Shed  
Extension - Back

User Manual

Read in conjunction with  
Kwiktech Build Guide and  
Kwiktech Tips & Tricks

Designed by

**kwiktech.**

Engineered by

**sbec.** SCHMIDT  
BENTLEY  
ENGINEERING  
CONSULTING

Rating: Region A

Rev 1.7

This Manual is the sole property of  
Kwiktech Pty Ltd.  
All rights are reserved.

This Manual is designed to be only  
used with Kwiktech  
produced products.

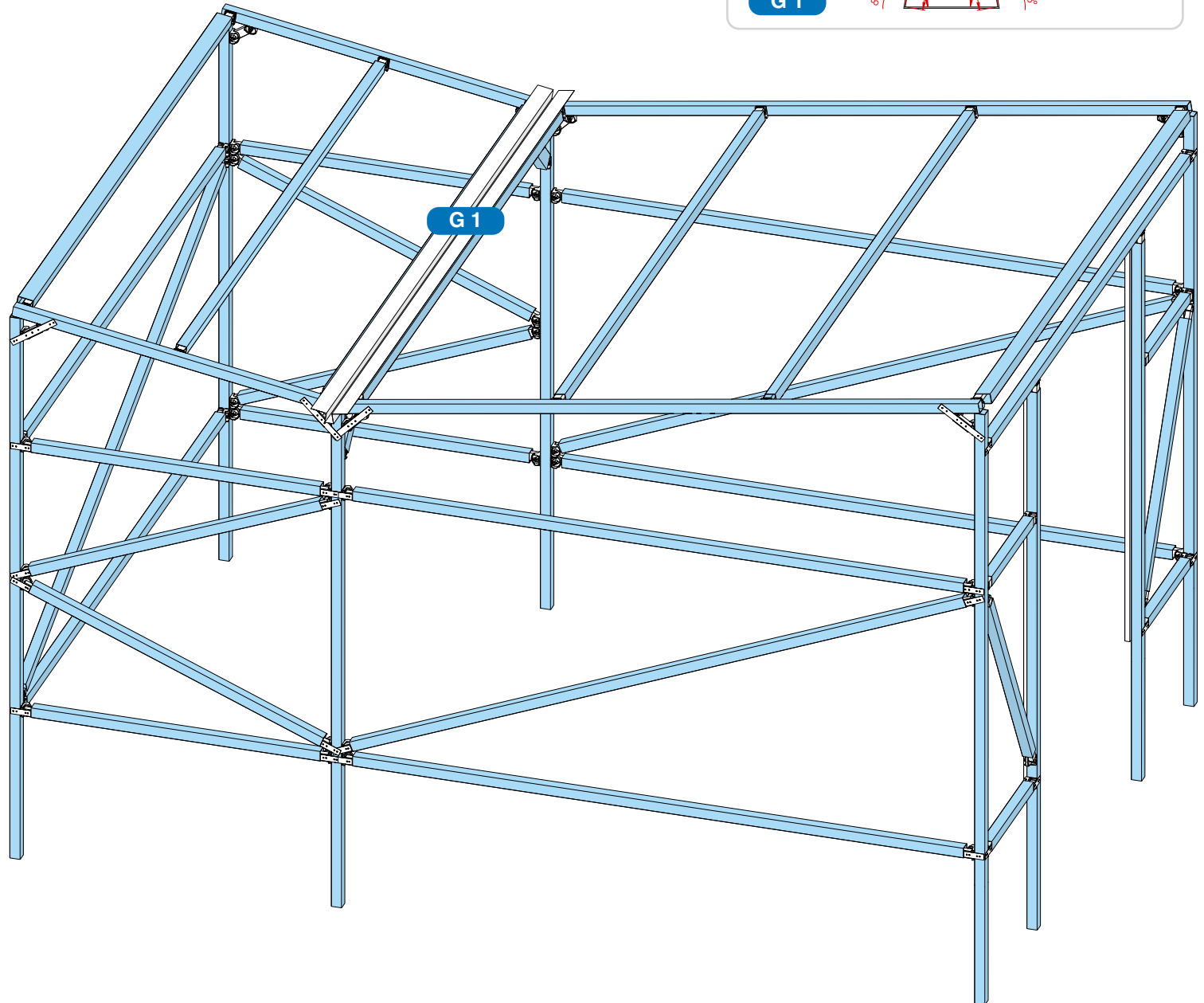
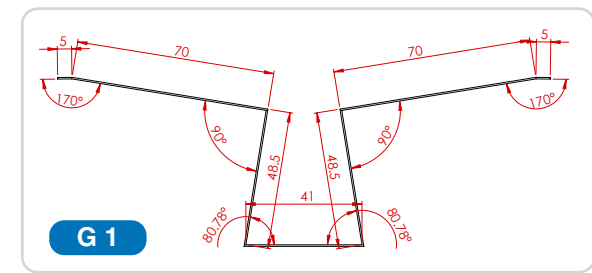
No part of this Manual or the  
Kwiktech product design may be  
copied or reproduced without the  
consent of Kwiktech Pty Ltd.

Construction using Kwiktech  
products may require planning  
approval. Always contact your Local  
Council for the most up-to-date  
rules and regulations for your area.

All dimensions are in millimeters  
(mm)

[www.kwiktech.com.au](http://www.kwiktech.com.au)  
© Kwiktech Pty Ltd 2022

Slide **G 1** in from 1 end until it protrudes 105mm  
from the face of the steel at both ends. Gutter will be  
fixed in place when roof sheets are attached.



# Flashing Types

'Classic Inspire'  
3m x 4.5m x 2.45m Shed  
Extension - Back

## User Manual

Read in conjunction with  
Kwiktech Build Guide and  
Kwiktech Tips & Tricks

Designed by



Engineered by



Rating: Region A

Rev 1.7

This Manual is the sole property of  
Kwiktech Pty Ltd.  
All rights are reserved.

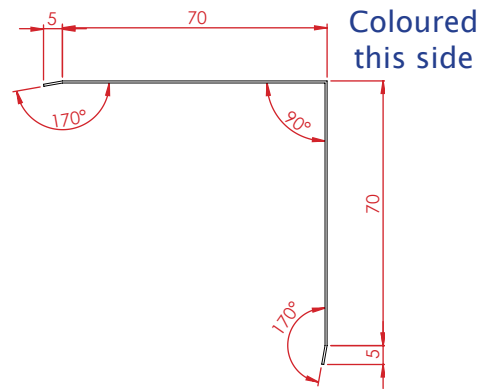
This Manual is designed to be only  
used with Kwiktech  
produced products.

No part of this Manual or the  
Kwiktech product design may be  
copied or reproduced without the  
consent of Kwiktech Pty Ltd.

Construction using Kwiktech  
products may require planning  
approval. Always contact your Local  
Council for the most up-to-date  
rules and regulations for your area.

All dimensions are in millimeters  
(mm)

www.kwiktech.com.au  
© Kwiktech Pty Ltd 2022



**FL 1**

**KT-FLP-01**  
3170mm  
0.42 BMT  
QTY: 1

**FL 2**

**KT-FLP-01**  
3170mm  
0.42 BMT  
QTY: 1

**FL 3**

**KT-FLP-01**  
3135mm  
0.42 BMT  
QTY: 2

**FL 4**

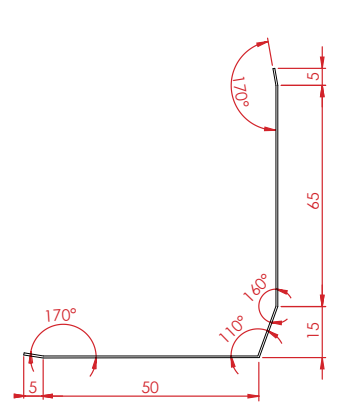
**KT-FLP-01**  
2450mm  
0.42 BMT  
QTY: 2

**FL 7**

**KT-FLP-01**  
1950mm  
0.42 BMT  
QTY: 2

**FL 8**

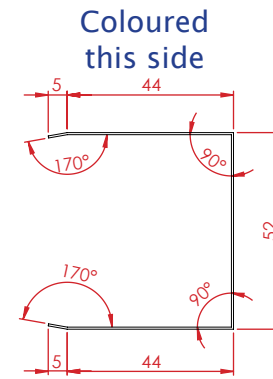
**KT-FLP-01**  
1590mm  
0.42 BMT  
QTY: 2



**Coloured this side**

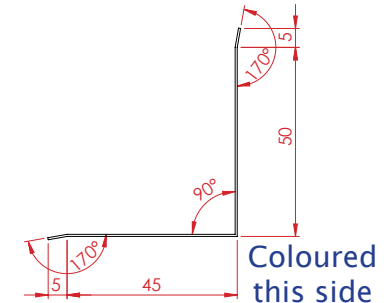
**FL 5**

**KT-FLP-03**  
2172mm  
0.42 BMT  
QTY: 2



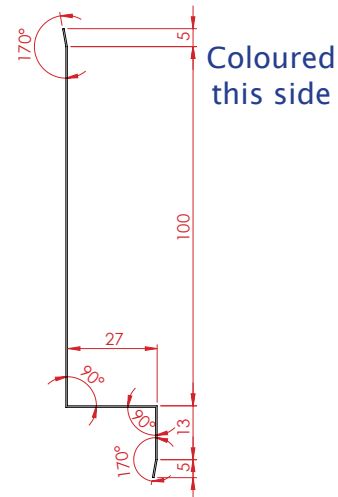
**FL 6**

**KT-FLP-04**  
2165mm  
0.42 BMT  
QTY: 2



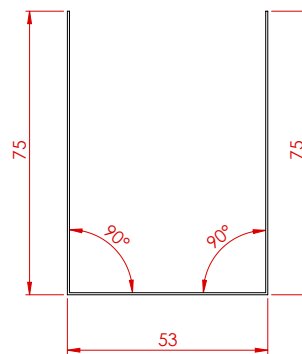
**FL 9**

**KT-FLP-05**  
1590mm  
0.42 BMT  
QTY: 1



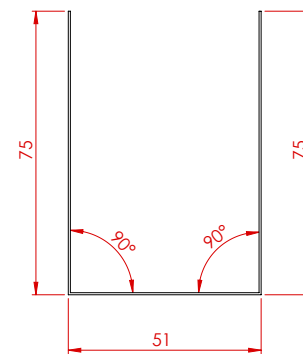
**FL 10**

**KT-FLP-07**  
1518mm  
0.42 BMT  
QTY: 1



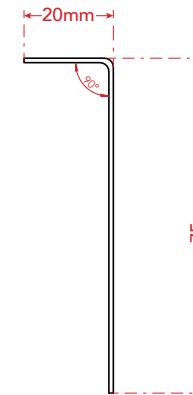
**FL 11**

**KT-FLP-08**  
330mm  
0.55 Galv  
QTY: 2



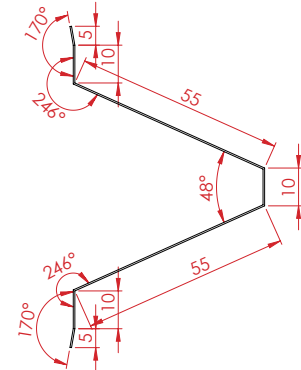
**FL 12**

**KT-FLP-09**  
250mm  
0.55 Galv  
QTY: 2



**FL 13.1**

**KT-FLP-10**  
40mm  
1.6 Galv  
QTY: 1



**FL 13.2**

**KT-FLP-06**  
40mm  
1.2 Galv  
QTY: 1