

'Classic Plus'

4.5m x 3m x 2.45m Shed Extension - Right Side

User Manual

Read in conjunction with
Kwiktech Build Guide and
Kwiktech Tips & Tricks

Designed by



Engineered by



Rating: Region A

Rev 1.8

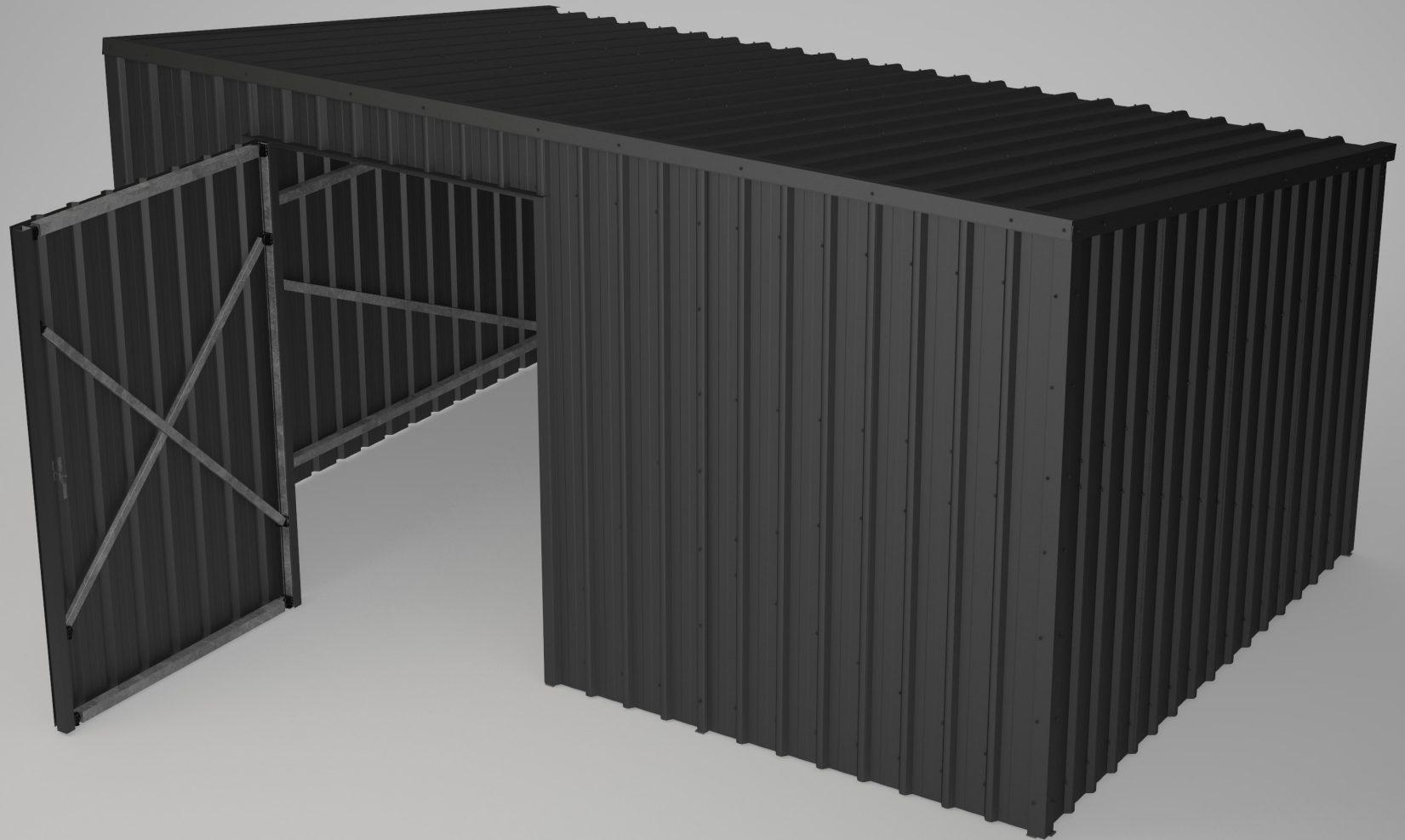
This Manual is the sole property of
Kwiktech Pty Ltd.
All rights are reserved.

This Manual is designed to be only
used with Kwiktech
produced products.

No part of this Manual or the
Kwiktech product design may be
copied or reproduced without the
consent of Kwiktech Pty Ltd.

Construction using Kwiktech
products may require planning
approval. Always contact your Local
Council for the most up-to-date
rules and regulations for your area.

All dimensions are in millimeters
(mm)



'Classic Plus'

4.5m x 3m x 2.45m Shed Extension - Right Side

User Manual

Read in conjunction with
Kwiktech Build Guide and
Kwiktech Tips & Tricks

Designed by



Engineered by



Rating: Region A

Rev 1.8

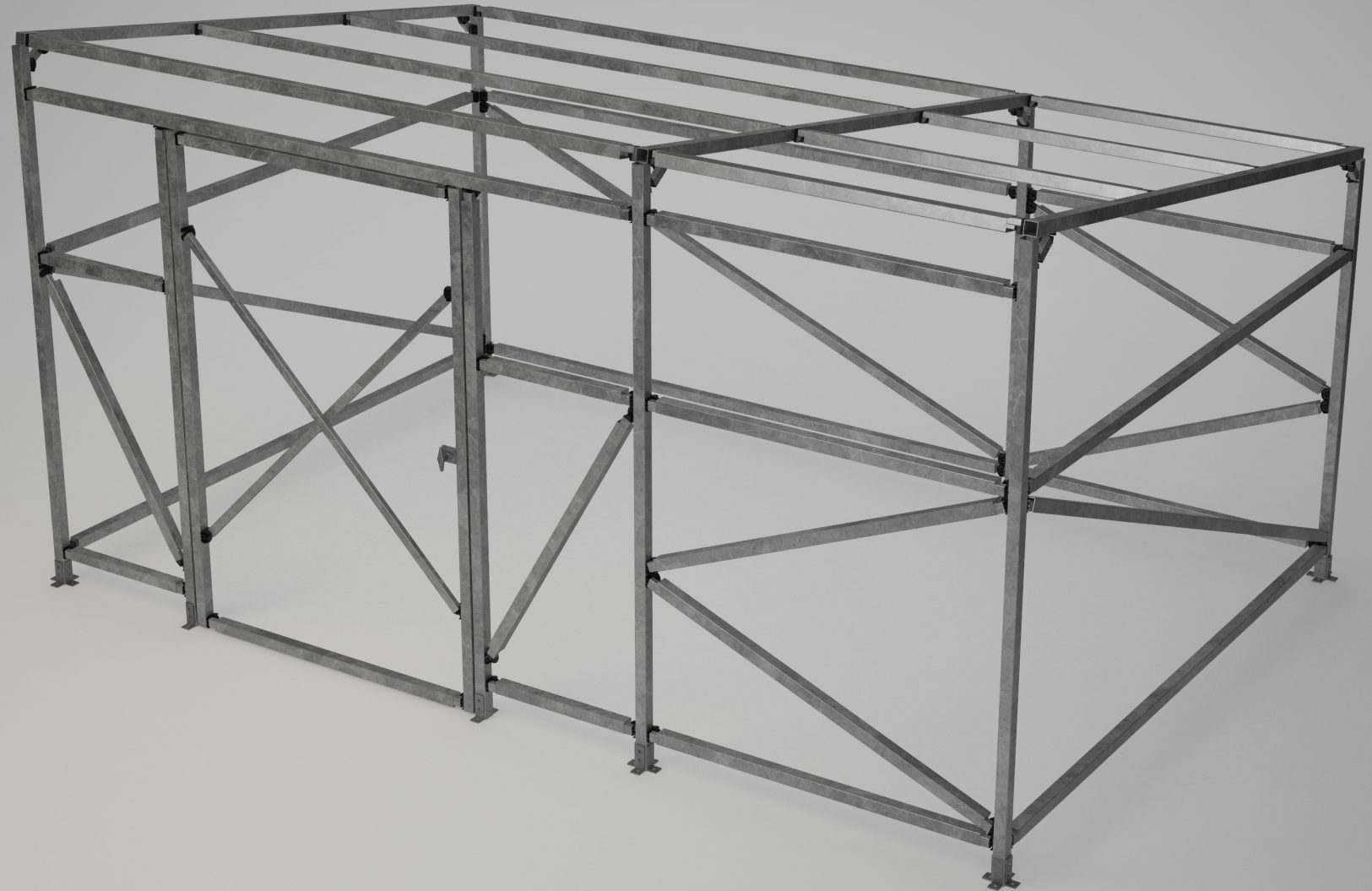
This Manual is the sole property of
Kwiktech Pty Ltd.
All rights are reserved.

This Manual is designed to be only
used with Kwiktech
produced products.

No part of this Manual or the
Kwiktech product design may be
copied or reproduced without the
consent of Kwiktech Pty Ltd.

Construction using Kwiktech
products may require planning
approval. Always contact your Local
Council for the most up-to-date
rules and regulations for your area.

All dimensions are in millimeters
(mm)



General Arrangement

'Classic Plus'

4.5m x 3m x 2.45m Shed
Extension - Right Side

User Manual

Read in conjunction with
Kwiktech Build Guide and
Kwiktech Tips & Tricks

Designed by

kwiktech.

Engineered by

sbec. SCHMIDT
BENTLEY
ENGINEERING
CONSULTING

Rating: Region A

Rev 1.8

This Manual is the sole property of
Kwiktech Pty Ltd.
All rights are reserved.

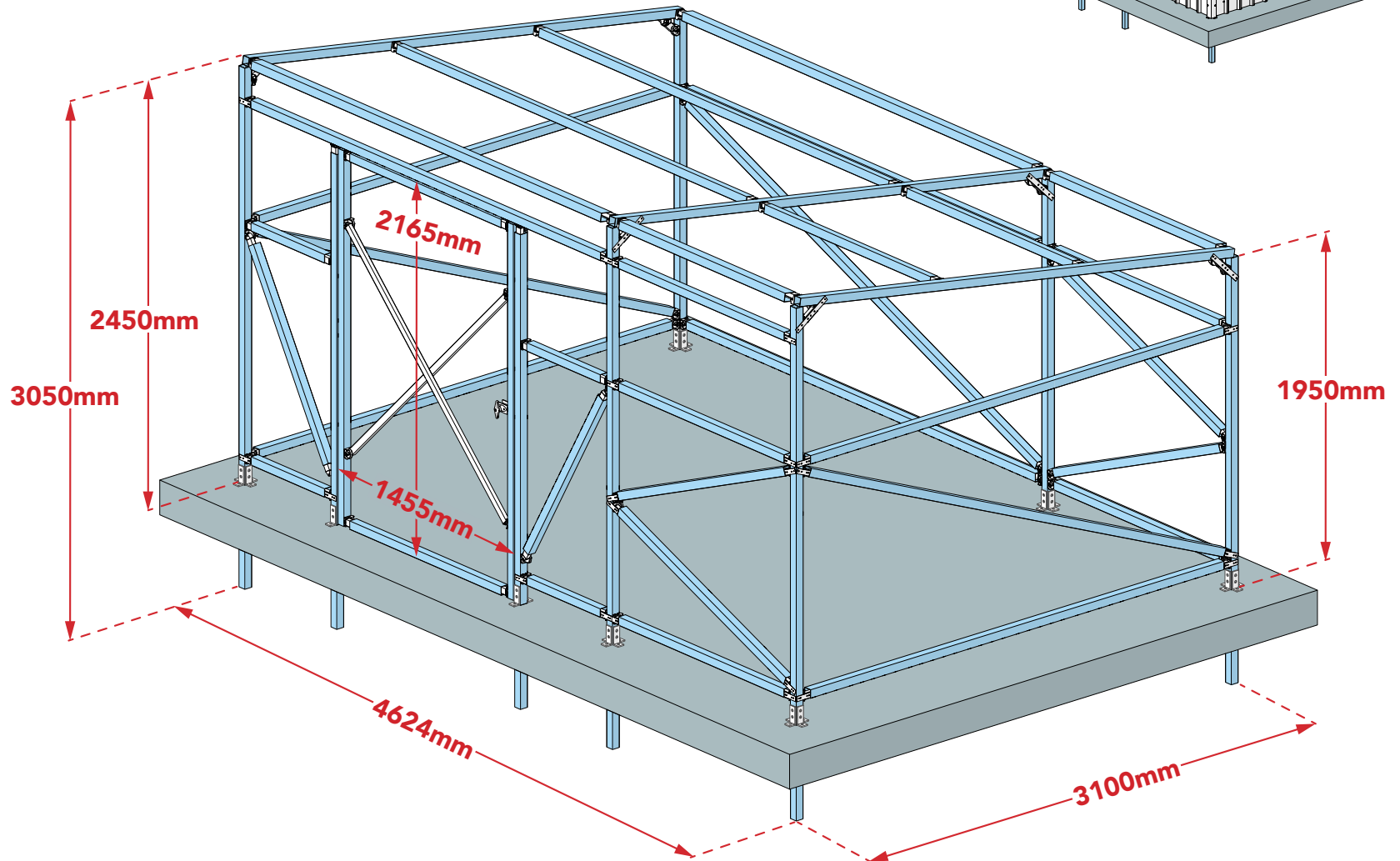
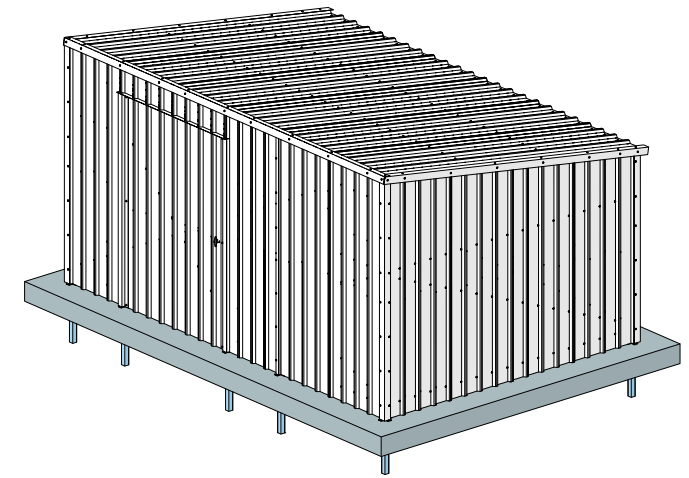
This Manual is designed to be only
used with Kwiktech
produced products.

No part of this Manual or the
Kwiktech product design may be
copied or reproduced without the
consent of Kwiktech Pty Ltd.

Construction using Kwiktech
products may require planning
approval. Always contact your Local
Council for the most up-to-date
rules and regulations for your area.

All dimensions are in millimeters
(mm)

www.kwiktech.com.au
© Kwiktech Pty Ltd 2022



Materials List

'Classic Plus'
4.5m x 3m x 2.45m Shed
Extension - Right Side
User Manual

Read in conjunction with
Kwiktech Build Guide and
Kwiktech Tips & Tricks

Designed by



Engineered by



Rating: Region A

Rev 1.8

This Manual is the sole property of
Kwiktech Pty Ltd.
All rights are reserved.

This Manual is designed to be only
used with Kwiktech
produced products.

No part of this Manual or the
Kwiktech product design may be
copied or reproduced without the
consent of Kwiktech Pty Ltd.

Construction using Kwiktech
products may require planning
approval. Always contact your Local
Council for the most up-to-date
rules and regulations for your area.

All dimensions are in millimeters
(mm)

NON KWIKTECH ITEMS

ITEM	ITEM ID #	ASSEMBLY ID #	LENGTH	COLOUR	QUANTITY	RESELLER PRICE
RHS 75x50x2.0mm	1	A	2900	Galv	2	
RHS 75x50x2.0mm	2	B	1374	Galv	2	
SHS 50x50x2mm	3		3084	Galv	1	
SHS 50x50x2mm	4		3000*	Galv	1	
SHS 50x50x2mm	5		2510*	Galv	1	
SHS 50x50x1.5mm or 1.6mm	6	C	3147	Galv	3	
SHS 50x50x1.5mm or 1.6mm	7 8		3084	Galv	2	
SHS 50x50x1.5mm or 1.6mm	9 10		3000*	Galv	2	
SHS 50x50x1.5mm or 1.6mm	11	D	2900	Galv	3	
SHS 50x50x1.5mm or 1.6mm (Displacement plates both ends)	12	E	2896	Galv	6	
SHS 50x50x1.5mm or 1.6mm	13 14	F	2733*	Galv	2	
SHS 50x50x1.5mm or 1.6mm	15 16		2510*	Galv	2	
SHS 50x50x1.5mm or 1.6mm	17		2163	Galv	2	
SHS 50x50x1.5mm or 1.6mm	18	G	1490	Galv	4	
SHS 50x50x1.5mm or 1.6mm	19	H	1374	Galv	3	
SHS 50x50x1.5mm or 1.6mm (Displacement plates both ends)	20	I	1370	Galv	4	
SHS 50x50x1.5mm or 1.6mm	21	J	1255	Galv	2	
SHS 50x50x1.5mm or 1.6mm	22	K	1241	Galv	2	
SHS 50x50x1.5mm or 1.6mm	23	L	613	Galv	4	

*NOTE: If fixing the shed on existing concrete, reduce these member lengths by 600mm.

Materials List

'Classic Plus'
4.5m x 3m x 2.45m Shed
Extension - Right Side

User Manual

Read in conjunction with
Kwiktech Build Guide and
Kwiktech Tips & Tricks

Designed by



Engineered by



Rating: Region A

Rev 1.8

This Manual is the sole property of
Kwiktech Pty Ltd.
All rights are reserved.

This Manual is designed to be only
used with Kwiktech
produced products.

No part of this Manual or the
Kwiktech product design may be
copied or reproduced without the
consent of Kwiktech Pty Ltd.

Construction using Kwiktech
products may require planning
approval. Always contact your Local
Council for the most up-to-date
rules and regulations for your area.

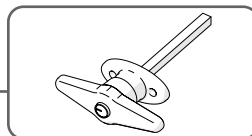
All dimensions are in millimeters
(mm)

NON KWIKTECH ITEMS

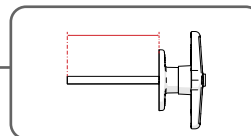
ITEM	ITEM ID #	ASSEMBLY ID #	LENGTH	COLOUR	QUANTITY	RESELLER PRICE
RHS 38x25x1.2mm or 1.6mm	24	C	3217	Galv	3	
RHS 38x25x1.2mm or 1.6mm	25	A D	2970	Galv	5	
RHS 38x25x1.2mm or 1.6mm (Displacement plates both ends)	26	E	2966	Galv	6	
RHS 38x25x1.2mm or 1.6mm	27		2023	Galv	2	
RHS 38x25x1.2mm or 1.6mm	28		1852	Galv	2	
RHS 38x25x1.2mm or 1.6mm	29	G	1560	Galv	4	
RHS 38x25x1.2mm or 1.6mm	30	B H	1444	Galv	5	
RHS 38x25x1.2mm or 1.6mm (Displacement plates both ends)	31	I	1440	Galv	4	
RHS 38x25x1.2mm or 1.6mm	32	J	1325	Galv	2	
RHS 38x25x1.2mm or 1.6mm	33	K	1311	Galv	2	
RHS 38x25x1.2mm or 1.6mm	34	F	1000	Galv	2	
RHS 38x25x1.2mm or 1.6mm	35	L	683	Galv	4	
RHS 38x25x1.2mm or 1.6mm (Used for optional temp corner braces)	36		442	Galv	4	
RHS 38x25x1.2mm or 1.6mm	37		80	Galv	3	
RHS 38x25x1.2mm or 1.6mm	38		68	Galv	4	

NON KWIKTECH ITEMS

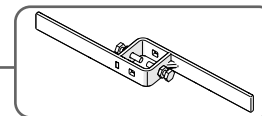
ITEM	ID #	LENGTH	COLOUR	QUANTITY	RESELLER PRICE
100x100x2.5 Zinc Plated Butt Hinge		100	Galv	3	
VATER Tee Handle Kit & Inside Latch		-	-	1	
Tek Screw 16mmx10g Coloured		16	Customers Choice	600	
Tek Screw 53mmx12g Coloured - Neo		53		300	
M12x75 4.6 Hex head Galv Bolt & Nut	Only required if fixing to existing concrete.	75	Galv	14	
P1326H Ninety Degree Fitting HG		105	Galv	28	
Dynabolt DP12100 M10 12x100 Galv		100	Galv	28	
38x25 Black Plastic Post Cap		38	Black	2	



Tee Handle



Minimum Tee Handle Length 75mm



Recommend using a heavy duty inner lock, such as the one pictured above.

Materials List

'Classic Plus' 4.5m x 3m x 2.45m Shed Extension - Right Side

User Manual

Read in conjunction with
Kwiktech Build Guide and
Kwiktech Tips & Tricks

Designed by



Engineered by



Rating: Region A

Rev 1.8

This Manual is the sole property of
Kwiktech Pty Ltd.
All rights are reserved.

This Manual is designed to be only
used with Kwiktech
produced products.

No part of this Manual or the
Kwiktech product design may be
copied or reproduced without the
consent of Kwiktech Pty Ltd.

Construction using Kwiktech
products may require planning
approval. Always contact your Local
Council for the most up-to-date
rules and regulations for your area.

All dimensions are in millimeters
(mm)

KWIKTECH KITS

ITEM	QUANTITY	RESELLER PRICE
Kwiktech DIY Rated Shed Kit (NOTE: Some items will not be used)	2	

CLADDINGS & FLASHINGS

ITEM	ID #	LENGTH	COLOUR	QUANTITY	RESELLER PRICE
TrimDek Cladding 762x29x0.42mm or 0.48mm - Front Roof	RF 1	3275	Customers Choice	6	
TrimDek Cladding 762x29x0.42mm or 0.48mm - Front Outers	CL 1	2450		4	
TrimDek Cladding 762x29x0.42mm or 0.48mm - Side 1	CL 2	2450		2	
TrimDek Cladding 762x29x0.42mm or 0.48mm - Side 2	CL 3	2325		2	
TrimDek Cladding 762x29x0.42mm or 0.48mm - Side 3	CL 4	2200		2	
TrimDek Cladding 762x29x0.42mm or 0.48mm - Side 4	CL 5	2075		2	
TrimDek Cladding 762x29x0.42mm or 0.48mm - Back	CL 6	1950		6	
TrimDek Cladding 762x29x0.42mm or 0.48mm - Door	CL 7	2165		2	
TrimDek Cladding 762x29x0.42mm or 0.48mm - Front above Door	CL 8	280		2	
Front Peak Flashing	FL 1	4684		1	
Back Flashing	FL 2	4630		1	
Roof Sides Flashing	FL 3	3310		2	
Front Corners Flashing	FL 4	2450		2	
Door Frame Housing Flashing	FL 5	2172	2		
Door Side Flashing	FL 6	2165	2		
Back Corners Flashing	FL 7	1950	2		
Above Door Flashing	FL 8	1590	1		
Internal Door Frame Flashing	FL 9	1518	1		
Door Lock Flashing	FL 10.1 FL 10.2	40	Galv	1	
				Sub-Total	
				GST	
				Shipping	
				Total Cost	

Refer to
page 29 for
details

Materials List

'Classic Plus'

4.5m x 3m x 2.45m Shed
Extension - Right Side

User Manual

Read in conjunction with
Kwiktech Build Guide and
Kwiktech Tips & Tricks

Designed by

kwiktech.

Engineered by

sbec. SCHMIDT
BENTLEY
ENGINEERING
CONSULTING

Rating: Region A

Rev 1.8

This Manual is the sole property of
Kwiktech Pty Ltd.
All rights are reserved.

This Manual is designed to be only
used with Kwiktech
produced products.

No part of this Manual or the
Kwiktech product design may be
copied or reproduced without the
consent of Kwiktech Pty Ltd.

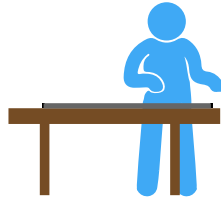
Construction using Kwiktech
products may require planning
approval. Always contact your Local
Council for the most up-to-date
rules and regulations for your area.

All dimensions are in millimeters
(mm)

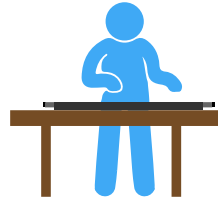
www.kwiktech.com.au

© Kwiktech Pty Ltd 2022

Build Preparation



Rail Inserts



Extra Strong Rails



Universal
Connectors

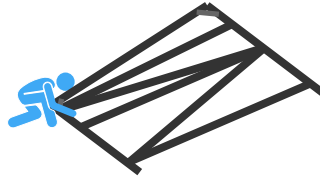


Door Stopper

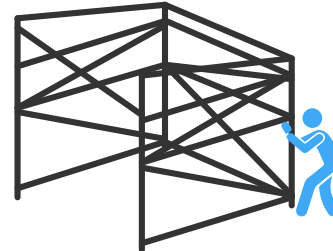


Footing
Preparation

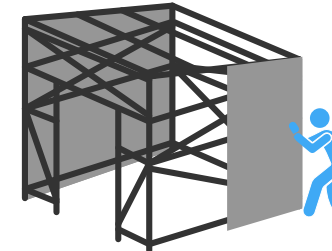
Assembly Sequence



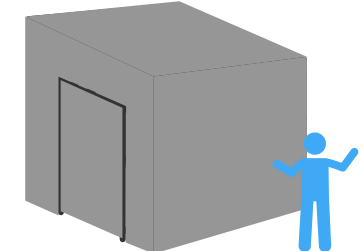
Fabricate



Erect & Fabricate



Cladding & Flashings



Finished Product

REQUIRED KWIKTECH ITEMS (INCLUDED IN KIT)

ITEM	QUANTITY	ITEM	QUANTITY
Post Connector (KT-P-001)	0	10G x 16 Self Drilling Wafer Head Screw	1200
Universal Connector (KT-P-002)	120	M6 x 40 Socket Head Cap Screw - Zinc	120
Rail Inserts (KT-P-003)	108	M6 x 20 Hex Head Bolt - Galv	0
60° Rail Inserts (KT-P-004)	12	M6 Nut - Galv	0
Star Picket Guide (KT-P-005)	0	Kwiktech 2mm Displacement Plate	24
Post Cap (KT-P-006)	0	Right Angle Bracket - Zinc	4
Tension Strapping 0.8 x 30 x 85mm	0	Assembly Wedge - Rubber	2
Tension Strapping 0.8 x 30 x 95mm	48	10G x 16 Self Drilling Small Head Flat Top Screw	260
Tension Strapping 0.8 x 30 x 135mm	0		
Tension Strapping 0.8 x 30 x 250mm	8		

HOLLOW METAL TOTAL

ITEM	TOTAL LENGTH
Duragal 75x50x2.0mm	9m
Duragal 50x50x2mm	9m
Duragal 50x50x1.5mm	87m
Duragal 38x25x1.2mm	82m

FOR
INFORMATION
ONLY

Member Locations

'Classic Plus'

4.5m x 3m x 2.45m Shed
Extension - Right Side

User Manual

Read in conjunction with
Kwiktech Build Guide and
Kwiktech Tips & Tricks

Designed by

kwiktech.

Engineered by

sbec. SCHMIDT
BENTLEY
ENGINEERING
CONSULTING

Rating: Region A

Rev 1.8

This Manual is the sole property of
Kwiktech Pty Ltd.
All rights are reserved.

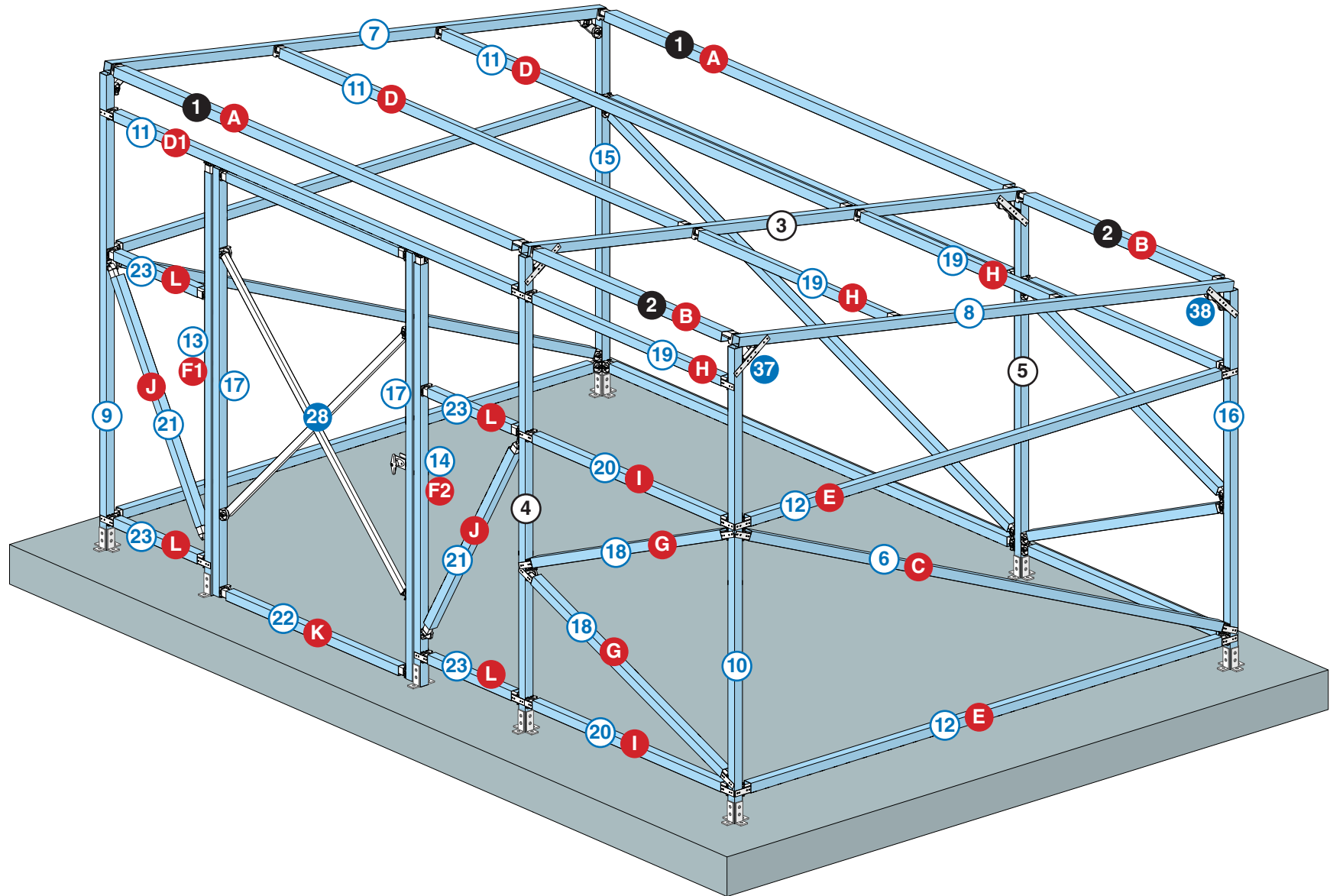
This Manual is designed to be only
used with Kwiktech
produced products.

No part of this Manual or the
Kwiktech product design may be
copied or reproduced without the
consent of Kwiktech Pty Ltd.

Construction using Kwiktech
products may require planning
approval. Always contact your Local
Council for the most up-to-date
rules and regulations for your area.

All dimensions are in millimeters
(mm)

www.kwiktech.com.au
© Kwiktech Pty Ltd 2022



NOTE: Some member ID's hidden for clarity.

Flashing Types

'Classic Plus' 4.5m x 3m x 2.45m Shed Extension - Right Side

User Manual

Read in conjunction with
Kwiktech Build Guide and
Kwiktech Tips & Tricks

Designed by



Engineered by



Rating: Region A

Rev 1.8

This Manual is the sole property of
Kwiktech Pty Ltd.
All rights are reserved.

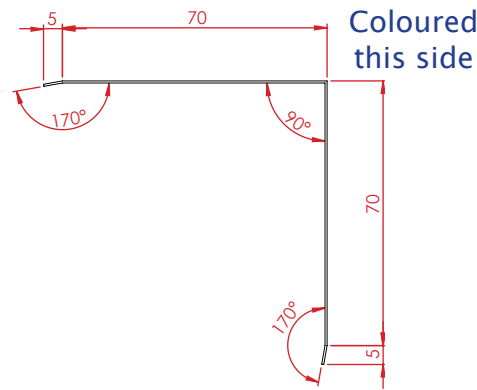
This Manual is designed to be only
used with Kwiktech
produced products.

No part of this Manual or the
Kwiktech product design may be
copied or reproduced without the
consent of Kwiktech Pty Ltd.

Construction using Kwiktech
products may require planning
approval. Always contact your Local
Council for the most up-to-date
rules and regulations for your area.

All dimensions are in millimeters
(mm)

www.kwiktech.com.au
© Kwiktech Pty Ltd 2022



FL 1

KT-FLP-01
4684mm
0.42 BMT
QTY: 1

FL 3

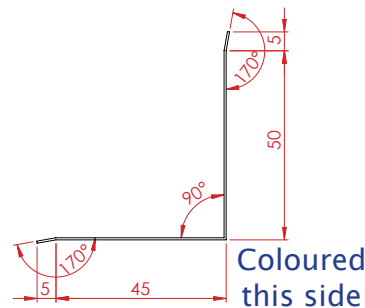
KT-FLP-01
3310mm
0.42 BMT
QTY: 2

FL 4

KT-FLP-01
2450mm
0.42 BMT
QTY: 2

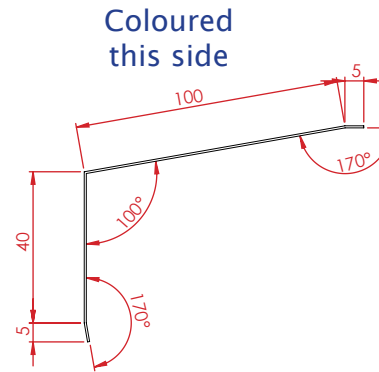
FL 7

KT-FLP-01
1950mm
0.42 BMT
QTY: 2



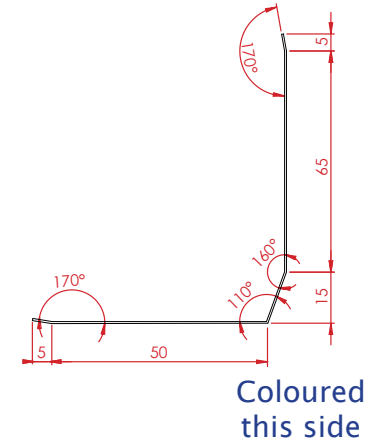
FL 8

KT-FLP-05
1590mm
0.42 BMT
QTY: 1



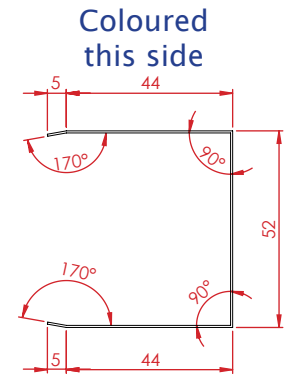
FL 2

KT-FLP-02
4630mm
0.42 BMT
QTY: 1



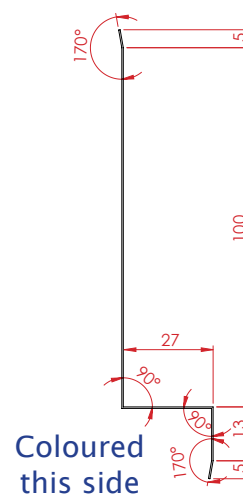
FL 5

KT-FLP-03
2172mm
0.42 BMT
QTY: 2



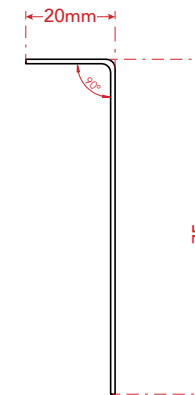
FL 6

KT-FLP-04
2165mm
0.42 BMT
QTY: 2



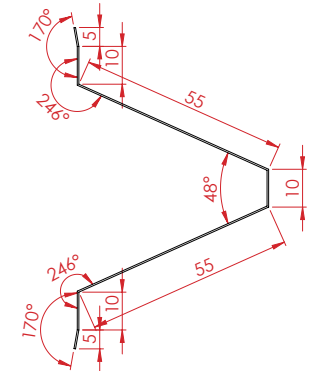
FL 9

KT-FLP-06
1518mm
0.42 BMT
QTY: 1



FL 10.1

KT-FLP-10
40mm
1.6 Galv
QTY: 1



FL 10.2

KT-FLP-06
40mm
1.2 Galv
QTY: 1