

'The Darwin'

**3m x 3m x 3m Shed
Region C**

User Manual

Read in conjunction with
Kwiktech Build Guide and
Kwiktech Tips & Tricks

Designed by

kwiktech.

Engineered by

sbec. SCHMIDT
BENTLEY
ENGINEERING
CONSULTING

Rating: Region C

Rev 3.9

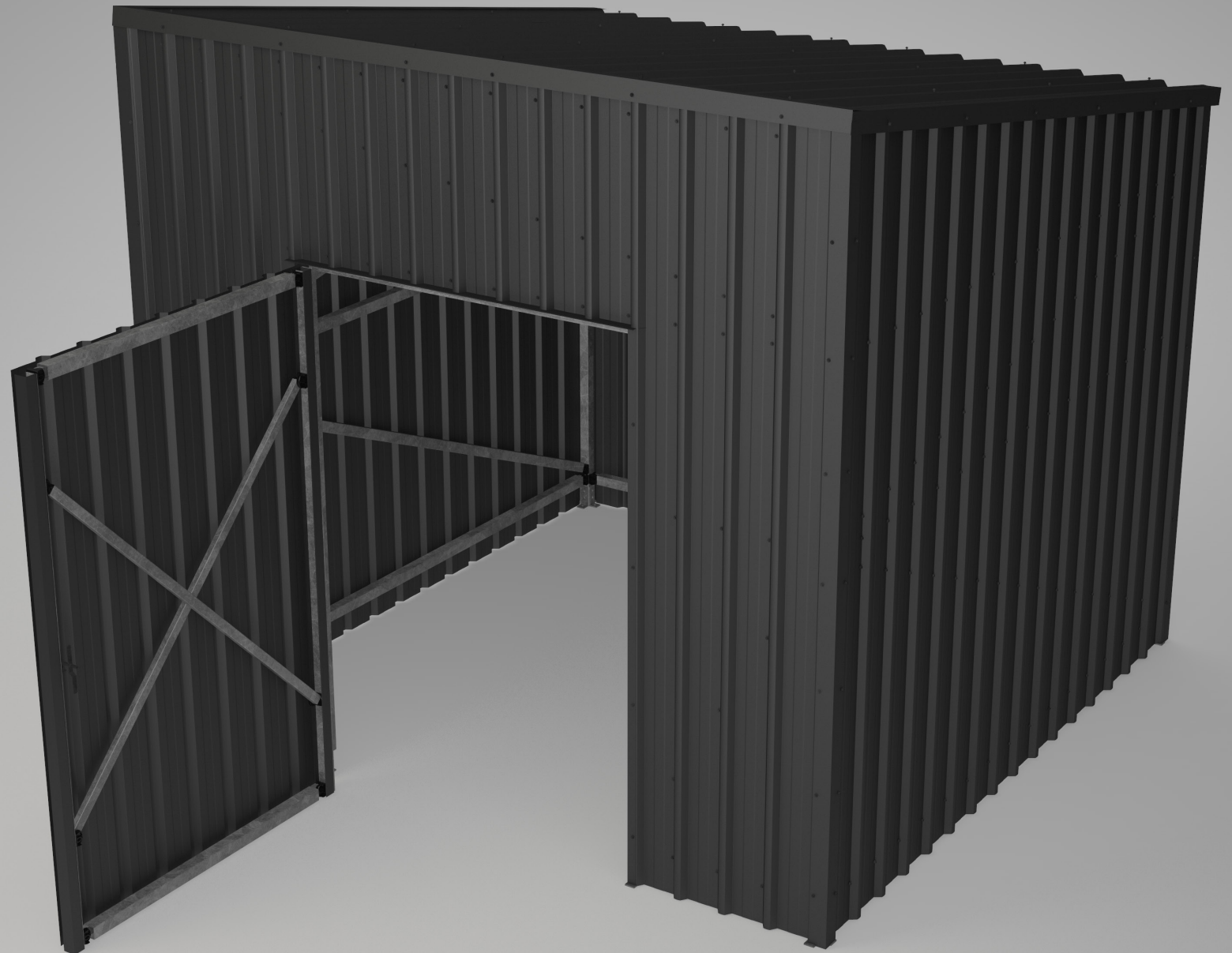
This Manual is the sole property of
Kwiktech Pty Ltd.
All rights are reserved.

This Manual is designed to be only
used with Kwiktech
produced products.

No part of this Manual or the
Kwiktech product design may be
copied or reproduced without the
consent of Kwiktech Pty Ltd.

Construction using Kwiktech
products may require planning
approval. Always contact your Local
Council for the most up-to-date
rules and regulations for your area.

All dimensions are in millimeters
(mm)



'The Darwin'

**3m x 3m x 3m Shed
Region C**

User Manual

Read in conjunction with
Kwiktech Build Guide and
Kwiktech Tips & Tricks

Designed by

kwiktech.

Engineered by

sbec. SCHMIDT
BENTLEY
ENGINEERING
CONSULTING

Rating: Region C

Rev 3.9

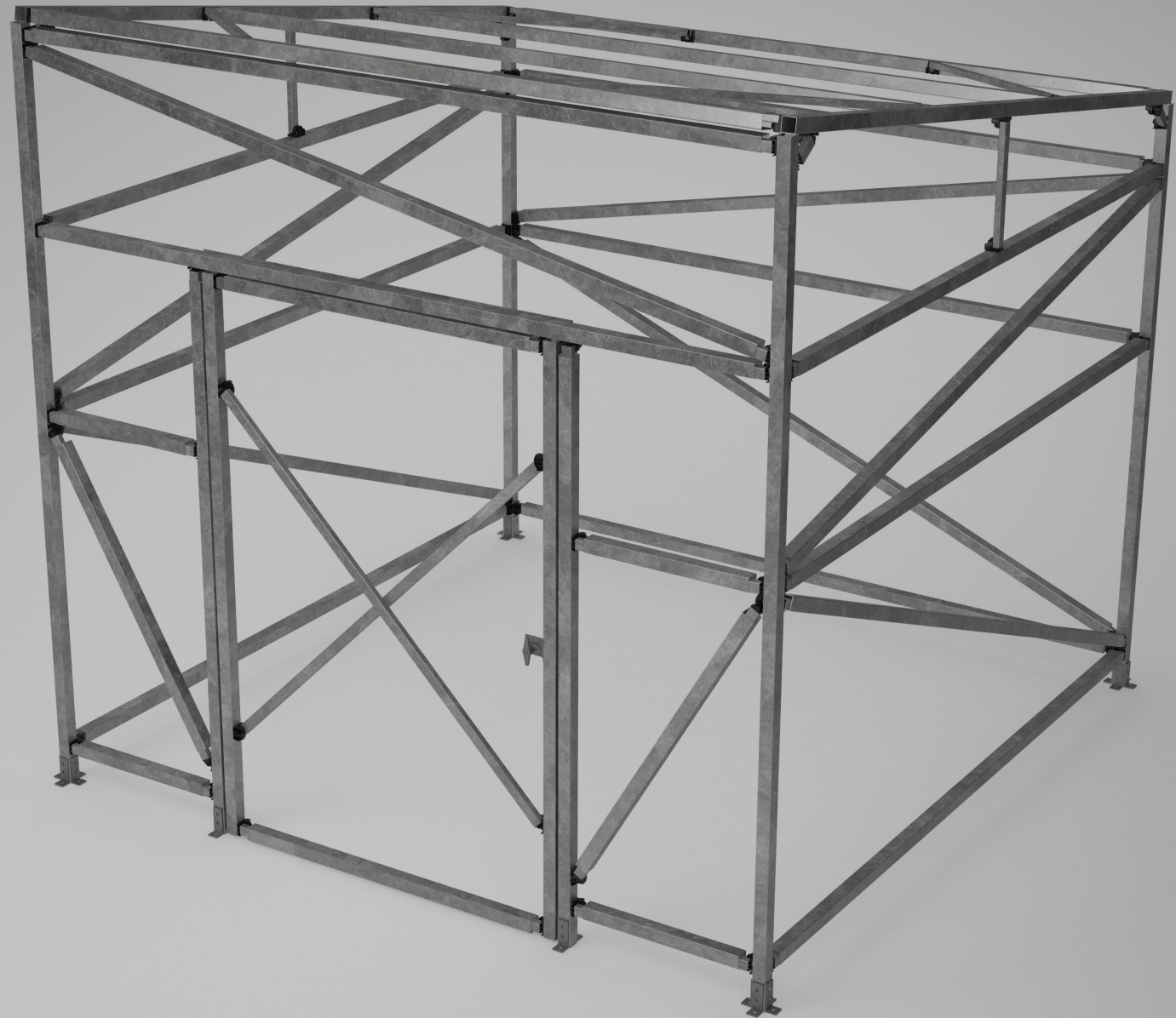
This Manual is the sole property of
Kwiktech Pty Ltd.
All rights are reserved.

This Manual is designed to be only
used with Kwiktech
produced products.

No part of this Manual or the
Kwiktech product design may be
copied or reproduced without the
consent of Kwiktech Pty Ltd.

Construction using Kwiktech
products may require planning
approval. Always contact your Local
Council for the most up-to-date
rules and regulations for your area.

All dimensions are in millimeters
(mm)



General Arrangement

'The Darwin'

3m x 3m x 3m Shed

Region C

User Manual

Read in conjunction with
Kwiktech Build Guide and
Kwiktech Tips & Tricks

Designed by

kwiktech.

Engineered by

sbec. SCHMIDT
BENTLEY
ENGINEERING
CONSULTING

Rating: Region C

Rev 3.9

This Manual is the sole property of
Kwiktech Pty Ltd.
All rights are reserved.

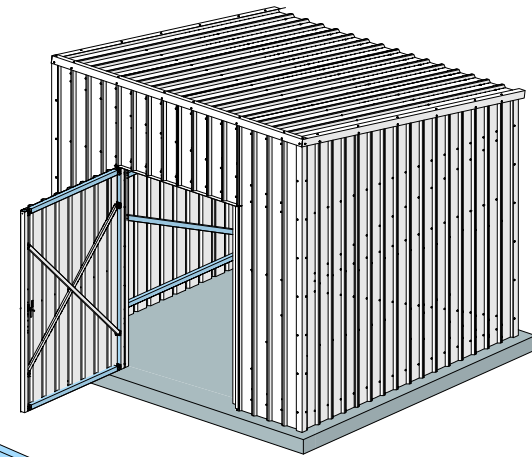
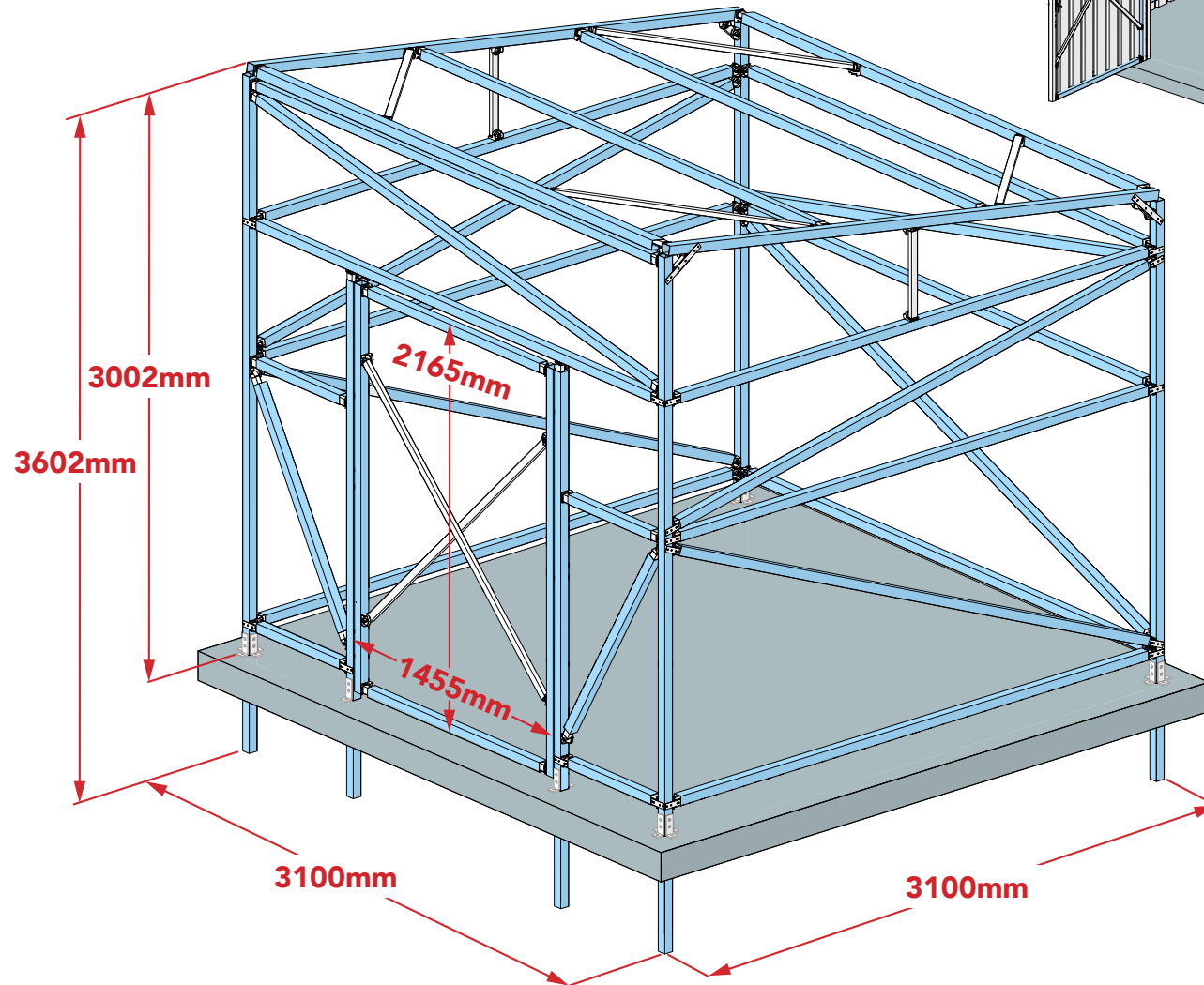
This Manual is designed to be only
used with Kwiktech
produced products.

No part of this Manual or the
Kwiktech product design may be
copied or reproduced without the
consent of Kwiktech Pty Ltd.

Construction using Kwiktech
products may require planning
approval. Always contact your Local
Council for the most up-to-date
rules and regulations for your area.

All dimensions are in millimeters
(mm)

www.kwiktech.com.au
© Kwiktech Pty Ltd 2022



Materials List

'The Darwin'
3m x 3m x 3m Shed
Region C

User Manual

Read in conjunction with
Kwiktech Build Guide and
Kwiktech Tips & Tricks

Designed by



Engineered by



Rating: Region C

Rev 3.9

This Manual is the sole property of
Kwiktech Pty Ltd.
All rights are reserved.

This Manual is designed to be only
used with Kwiktech
produced products.

No part of this Manual or the
Kwiktech product design may be
copied or reproduced without the
consent of Kwiktech Pty Ltd.

Construction using Kwiktech
products may require planning
approval. Always contact your Local
Council for the most up-to-date
rules and regulations for your area.

All dimensions are in millimeters
(mm)

KWIKTECH KITS

ITEM	QUANTITY	RESELLER PRICE
Kwiktech DIY Rated Shed Kit (NOTE: Some items will not be used)	2	

NON KWIKTECH ITEMS

ITEM	ITEM ID #	ASSEMBLY ID #	LENGTH	COLOUR	QUANTITY	RESELLER PRICE
RHS 75x50x2.0mm	1	A	2900	Galv	2	
SHS 50x50x1.5mm or 1.6mm	2 3		3548*	Galv	2	
SHS 50x50x1.5mm or 1.6mm	4	B	3147	Galv	3	
SHS 50x50x1.5mm or 1.6mm	5 6		3084	Galv	2	
SHS 50x50x1.5mm or 1.6mm	7 8		3055*	Galv	2	
SHS 50x50x1.5mm or 1.6mm	9	C	2959	Galv	4	
SHS 50x50x1.5mm or 1.6mm	10	D	2900	Galv	4	
SHS 50x50x1.5mm or 1.6mm (Displacement plates both ends)	11	E	2896	Galv	9	
SHS 50x50x1.5mm or 1.6mm	12	F	2733*	Galv	2	
SHS 50x50x1.5mm or 1.6mm	13		2163	Galv	2	
SHS 50x50x1.5mm or 1.6mm	14	H	1255	Galv	2	
SHS 50x50x1.5mm or 1.6mm	15	I	1241	Galv	2	
SHS 50x50x1.5mm or 1.6mm	16	J	613	Galv	2	
SHS 50x50x1.5mm or 1.6mm	17	G	609	Galv	2	
RHS 38x25x1.2mm or 1.6mm	18	B	3217	Galv	3	
RHS 38x25x1.2mm or 1.6mm	19	C	3029	Galv	4	
RHS 38x25x1.2mm or 1.6mm	20	A D	2970	Galv	6	
RHS 38x25x1.2mm or 1.6mm (Displacement plates both ends)	21	E	2966	Galv	9	
RHS 38x25x1.2mm or 1.6mm	22		2023	Galv	2	
RHS 38x25x1.2mm or 1.6mm	23		1852	Galv	2	
RHS 38x25x1.2mm or 1.6mm	24	H	1325	Galv	2	
RHS 38x25x1.2mm or 1.6mm	25	I	1311	Galv	2	
RHS 38x25x1.2mm or 1.6mm	26		1278	Galv	4	
RHS 38x25x1.2mm or 1.6mm	27	F	1000	Galv	2	
RHS 38x25x1.2mm or 1.6mm	28	J	683	Galv	2	
RHS 38x25x1.2mm or 1.6mm (Displacement plates both ends)	29	G	679	Galv	2	
RHS 38x25x1.2mm or 1.6mm (x4 used for temporary corner braces)	30		442	Galv	6	
RHS 38x25x1.2mm or 1.6mm	31		80	Galv	2	
RHS 38x25x1.2mm or 1.6mm	32		68	Galv	3	

*NOTE: If fixing the shed on existing concrete, reduce these member lengths by 600mm.

Materials List

'The Darwin'
3m x 3m x 3m Shed
Region C

User Manual

Read in conjunction with
Kwiktech Build Guide and
Kwiktech Tips & Tricks

Designed by



Engineered by



Rating: Region C

Rev 3.9

This Manual is the sole property of
Kwiktech Pty Ltd.
All rights are reserved.

This Manual is designed to be only
used with Kwiktech
produced products.

No part of this Manual or the
Kwiktech product design may be
copied or reproduced without the
consent of Kwiktech Pty Ltd.

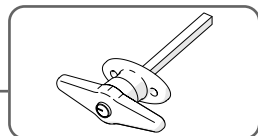
Construction using Kwiktech
products may require planning
approval. Always contact your Local
Council for the most up-to-date
rules and regulations for your area.

All dimensions are in millimeters
(mm)

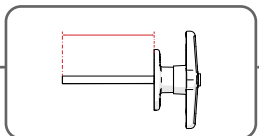
NON KWIKTECH ITEMS

ITEM	ID #	LENGTH	COLOUR	QUANTITY	RESELLER PRICE
TrimDek Cladding 762x29x0.42mm or 0.48mm - Roof	RF 1	3275		4	
TrimDek Cladding 762x29x0.42mm or 0.48mm - Front Outers	CL 1	3000		2	
TrimDek Cladding 762x29x0.42mm or 0.48mm - Side 1	CL 2	3000		2	
TrimDek Cladding 762x29x0.42mm or 0.48mm - Side 2	CL 3	2875		2	
TrimDek Cladding 762x29x0.42mm or 0.48mm - Side 3	CL 4	2750		2	
TrimDek Cladding 762x29x0.42mm or 0.48mm - Side 4	CL 5	2625		2	
TrimDek Cladding 762x29x0.42mm or 0.48mm - Back	CL 6	2500		4	
TrimDek Cladding 762x29x0.42mm or 0.48mm - Door	CL 7	2165		2	
TrimDek Cladding 762x29x0.42mm or 0.48mm - Front above Door	CL 8	825		2	
Roof Sides Flashing	FL 1	3310		2	
Peak Flashing	FL 2	3170		1	
Front Corners Flashing	FL 3	3000		2	
Back Flashing	FL 4	3100		1	
Back Corners Flashing	FL 5	2510		2	
Door Frame Housing Flashing	FL 6	2172		2	
Door Side Flashing	FL 7	2165		2	
Above Door Flashing	FL 8	1590		1	
Door Lock Flashing	FL 9.1 FL 9.2	40	Galv	1	
Internal Door Frame Flashing	FL 10	1518	Customers Choice	1	
100x100x2.5 Zinc Plated Butt Hinge		100	Galv	3	
Tee Handle Kit & Inside Latch		-	-	1	
Tek Screw 16mmx10g Coloured		16	Customers Choice	400	
Tek Screw 53mmx12g Coloured - Neo		53		200	
M12x75 4.6 Hex head Galv Bolt & Nut	Only required if fixing to existing concrete.	75	Galv	10	
P1326H Ninety Degree Fitting HG		105	Galv	20	
Dynabolt DP12100 M10 12x100 Galv		100	Galv	20	
38x25 Black Plastic Post Cap		38	Black	2	
				Sub-Total	
				GST	
				Shipping	
				Total Cost	

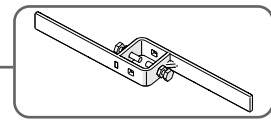
Refer to page 28 for details



Tee Handle



Minimum Tee Handle Length 75mm



Recommend using a heavy duty inner lock, such as the one pictured above.

Materials List

'The Darwin'
3m x 3m x 3m Shed
Region C

User Manual

Read in conjunction with
Kwiktech Build Guide and
Kwiktech Tips & Tricks

Designed by



Engineered by



Rating: Region C

Rev 3.9

This Manual is the sole property of
Kwiktech Pty Ltd.
All rights are reserved.

This Manual is designed to be only
used with Kwiktech
produced products.

No part of this Manual or the
Kwiktech product design may be
copied or reproduced without the
consent of Kwiktech Pty Ltd.

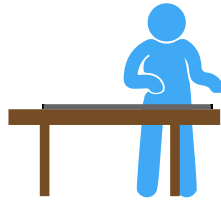
Construction using Kwiktech
products may require planning
approval. Always contact your Local
Council for the most up-to-date
rules and regulations for your area.

All dimensions are in millimeters
(mm)

www.kwiktech.com.au

© Kwiktech Pty Ltd 2022

Build Preparation



Rail Inserts



Extra Strong Rails



Universal
Connectors

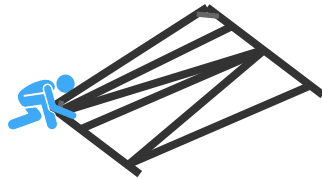


Door Stopper

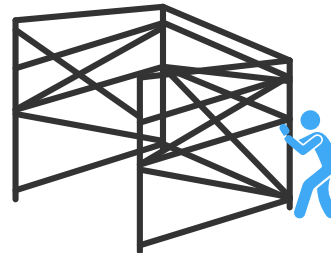


Footing
Preparation

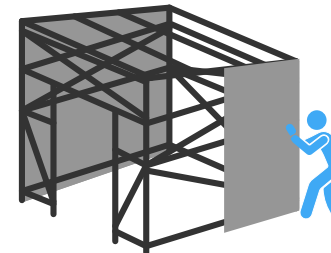
Assembly Sequence



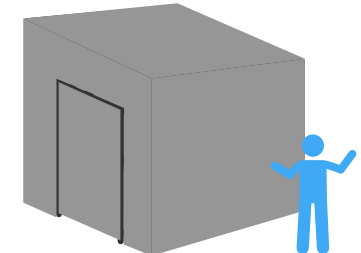
Fabricate



Erect & Fabricate
(Grab 2 mates for a hand)



Cladding & Flashings
(Grab a mate for a hand)



Finished Product

REQUIRED KWIKTECH ITEMS (INCLUDED IN KIT)

ITEM	QUANTITY	ITEM	QUANTITY
Post Connector (KT-P-001)	0	10G x 16 Self Drilling Wafer Head Screw	1200
Universal Connector (KT-P-002)	120	M6 x 40 Socket Head Cap Screw - Zinc	120
Rail Inserts (KT-P-003)	108	M6 x 20 Hex Head Bolt - Galv	0
60° Rail Inserts (KT-P-004)	12	M6 Nut - Galv	0
Star Picket Guide (KT-P-005)	0	Kwiktech 2mm Displacement Plate	24
Post Cap (KT-P-006)	0	Right Angle Bracket - Zinc	4
Tension Strapping 0.8 x 30 x 85mm	24	Assembly Wedge - Rubber	2
Tension Strapping 0.8 x 30 x 95mm	24	10G x 16 Self Drilling Small Head Flat Top Screw	260
Tension Strapping 0.8 x 30 x 135mm	8		
Tension Strapping 0.8 x 30 x 250mm	8		

HOLLOW METAL TOTAL

ITEM	TOTAL LENGTH
Duragal 75x50x2.0mm	6m
Duragal 50x50x1.5mm	96m
Duragal 38x25x1.2mm	93m

FOR
INFORMATION
ONLY

Member Locations

'The Darwin'
3m x 3m x 3m Shed
Region C

User Manual

Read in conjunction with
Kwiktech Build Guide and
Kwiktech Tips & Tricks

Designed by

kwiktech.

Engineered by

sbec. SCHMIDT
BENTLEY
ENGINEERING
CONSULTING

Rating: Region C

Rev 3.9

This Manual is the sole property of
Kwiktech Pty Ltd.
All rights are reserved.

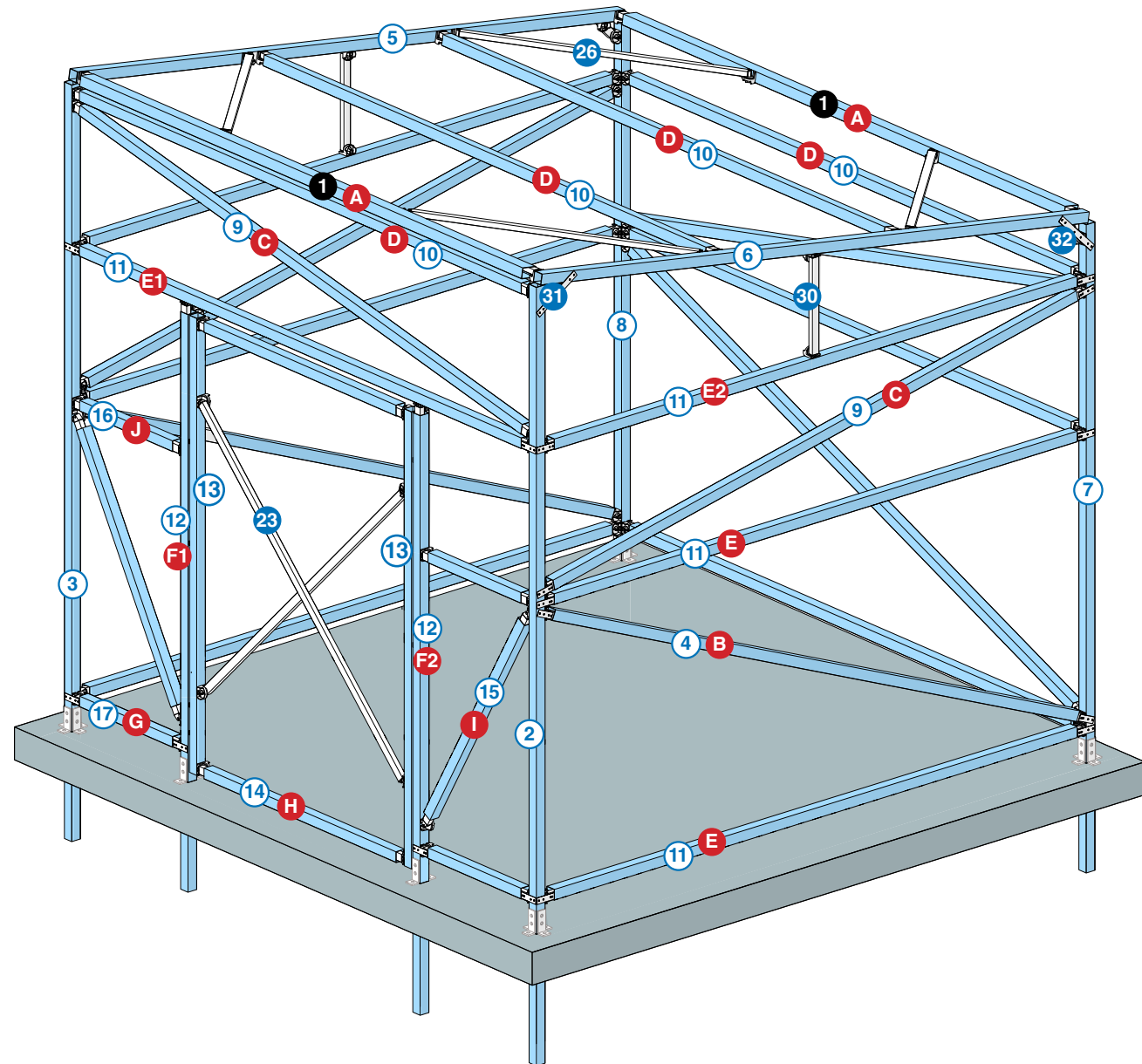
This Manual is designed to be only
used with Kwiktech
produced products.

No part of this Manual or the
Kwiktech product design may be
copied or reproduced without the
consent of Kwiktech Pty Ltd.

Construction using Kwiktech
products may require planning
approval. Always contact your Local
Council for the most up-to-date
rules and regulations for your area.

All dimensions are in millimeters
(mm)

www.kwiktech.com.au
© Kwiktech Pty Ltd 2022



NOTE: Some member ID's hidden for clarity.

Flashing Types

'The Darwin'
3m x 3m x 3m Shed
Region C

User Manual

Read in conjunction with
Kwiktech Build Guide and
Kwiktech Tips & Tricks

Designed by



Engineered by



Rating: Region C

Rev 3.9

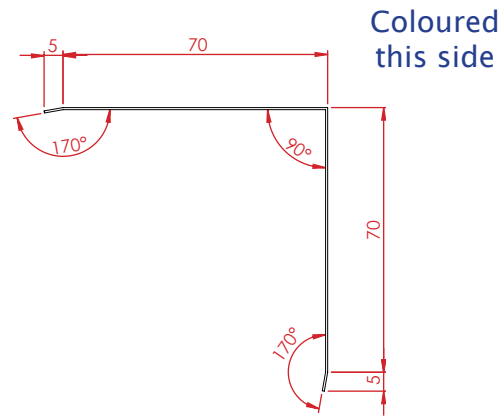
This Manual is the sole property of
Kwiktech Pty Ltd.
All rights are reserved.

This Manual is designed to be only
used with Kwiktech
produced products.

No part of this Manual or the
Kwiktech product design may be
copied or reproduced without the
consent of Kwiktech Pty Ltd.

Construction using Kwiktech
products may require planning
approval. Always contact your Local
Council for the most up-to-date
rules and regulations for your area.

All dimensions are in millimeters
(mm)



FL 1

KT-FLP-01
3310mm
0.42 BMT
QTY: 2

FL 2

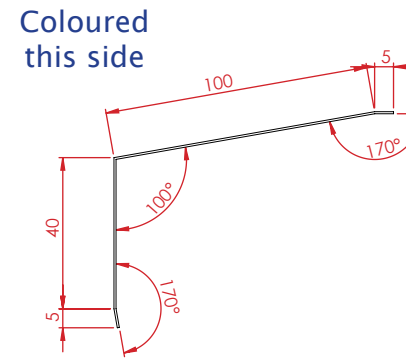
KT-FLP-01
3170mm
0.42 BMT
QTY: 1

FL 3

KT-FLP-01
2450mm
0.42 BMT
QTY: 2

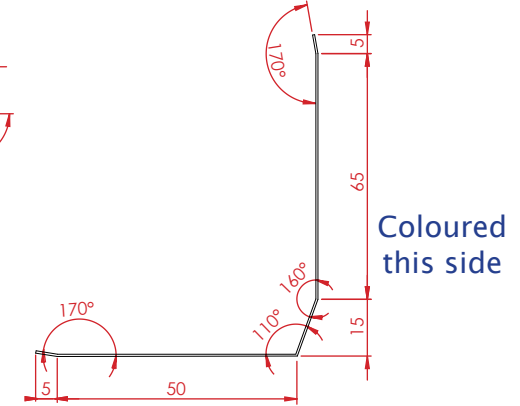
FL 5

KT-FLP-01
1940mm
0.42 BMT
QTY: 2



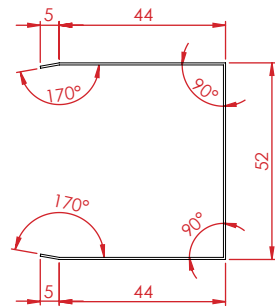
FL 4

KT-FLP-02
3150mm
0.42 BMT
QTY: 1



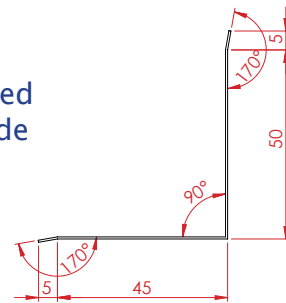
FL 6

KT-FLP-03
2172mm
0.42 BMT
QTY: 2



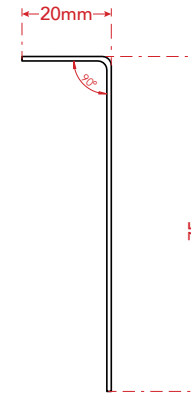
FL 7

KT-FLP-04
2165mm
0.42 BMT
QTY: 2



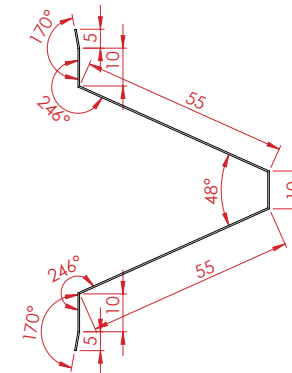
FL 8

KT-FLP-05
1590mm
0.42 BMT
QTY: 1



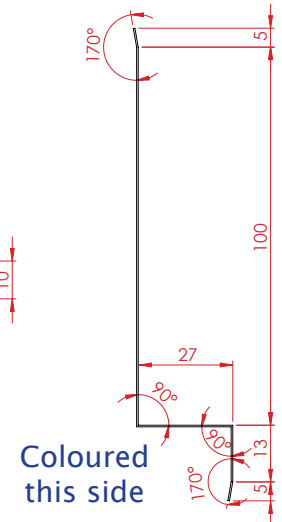
FL 9.1

KT-FLP-10
40mm
1.6 Galv
QTY: 1



FL 9.2

KT-FLP-06
40mm
1.2 Galv
QTY: 1



FL 10

KT-FLP-07
1518mm
0.42 BMT
QTY: 1

Potential Sheds

'The Darwin'
3m x 3m x 3m Shed
Region C

User Manual

Read in conjunction with
Kwiktech Build Guide and
Kwiktech Tips & Tricks

Designed by

kwiktech.

Engineered by

sbec. SCHMIDT
BENTLEY
ENGINEERING
CONSULTING

Rating: Region C

Rev 3.9

This Manual is the sole property of
Kwiktech Pty Ltd.
All rights are reserved.

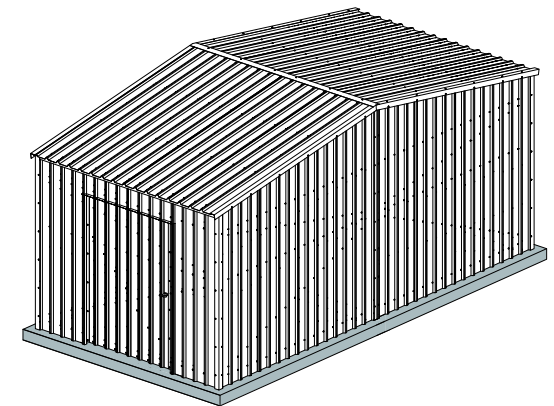
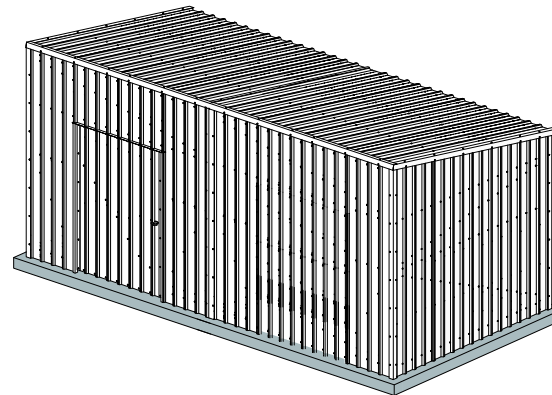
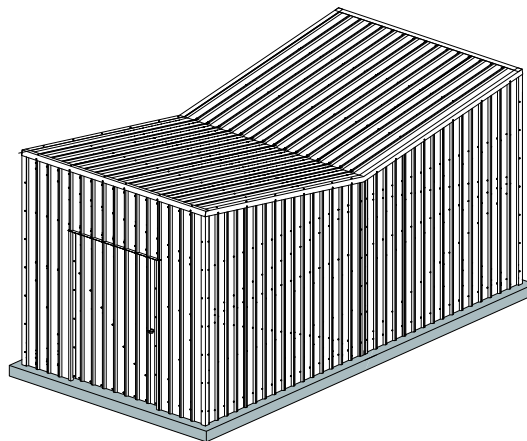
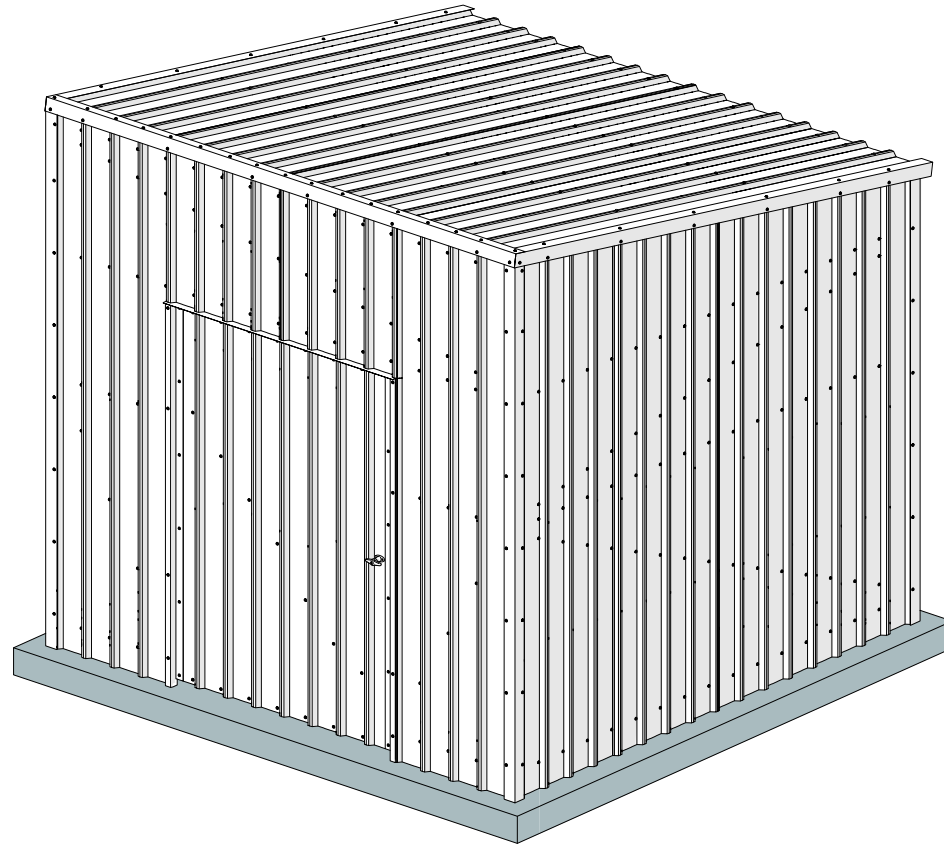
This Manual is designed to be only
used with Kwiktech
produced products.

No part of this Manual or the
Kwiktech product design may be
copied or reproduced without the
consent of Kwiktech Pty Ltd.

Construction using Kwiktech
products may require planning
approval. Always contact your Local
Council for the most up-to-date
rules and regulations for your area.

All dimensions are in millimeters
(mm)

www.kwiktech.com.au
© Kwiktech Pty Ltd 2022



*Shed extension images for example only.
Shed extension options require engineering to determine rating.*