

'The Darwin'

**3m x 3m x 3m Shed
Region C**

User Manual

Read in conjunction with
Kwiktech Build Guide and
Kwiktech Tips & Tricks

Designed by

kwiktech.

Engineered by

sbec. SCHMIDT
BENTLEY
ENGINEERING
CONSULTING

Rating: Region C

Rev 3.9

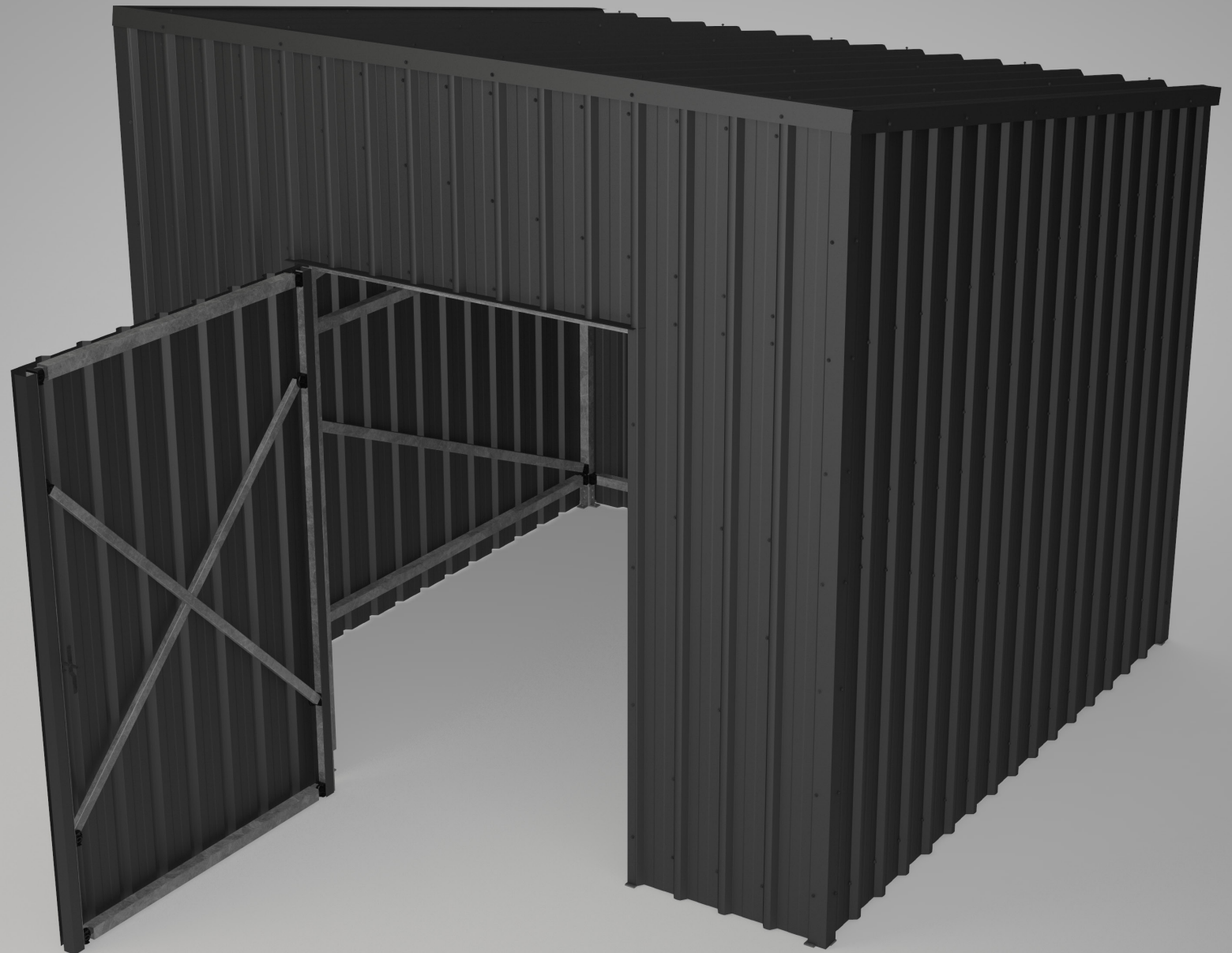
This Manual is the sole property of
Kwiktech Pty Ltd.
All rights are reserved.

This Manual is designed to be only
used with Kwiktech
produced products.

No part of this Manual or the
Kwiktech product design may be
copied or reproduced without the
consent of Kwiktech Pty Ltd.

Construction using Kwiktech
products may require planning
approval. Always contact your Local
Council for the most up-to-date
rules and regulations for your area.

All dimensions are in millimeters
(mm)



'The Darwin'

**3m x 3m x 3m Shed
Region C**

User Manual

Read in conjunction with
Kwiktech Build Guide and
Kwiktech Tips & Tricks

Designed by

kwiktech.

Engineered by

sbec. SCHMIDT
BENTLEY
ENGINEERING
CONSULTING

Rating: Region C

Rev 3.9

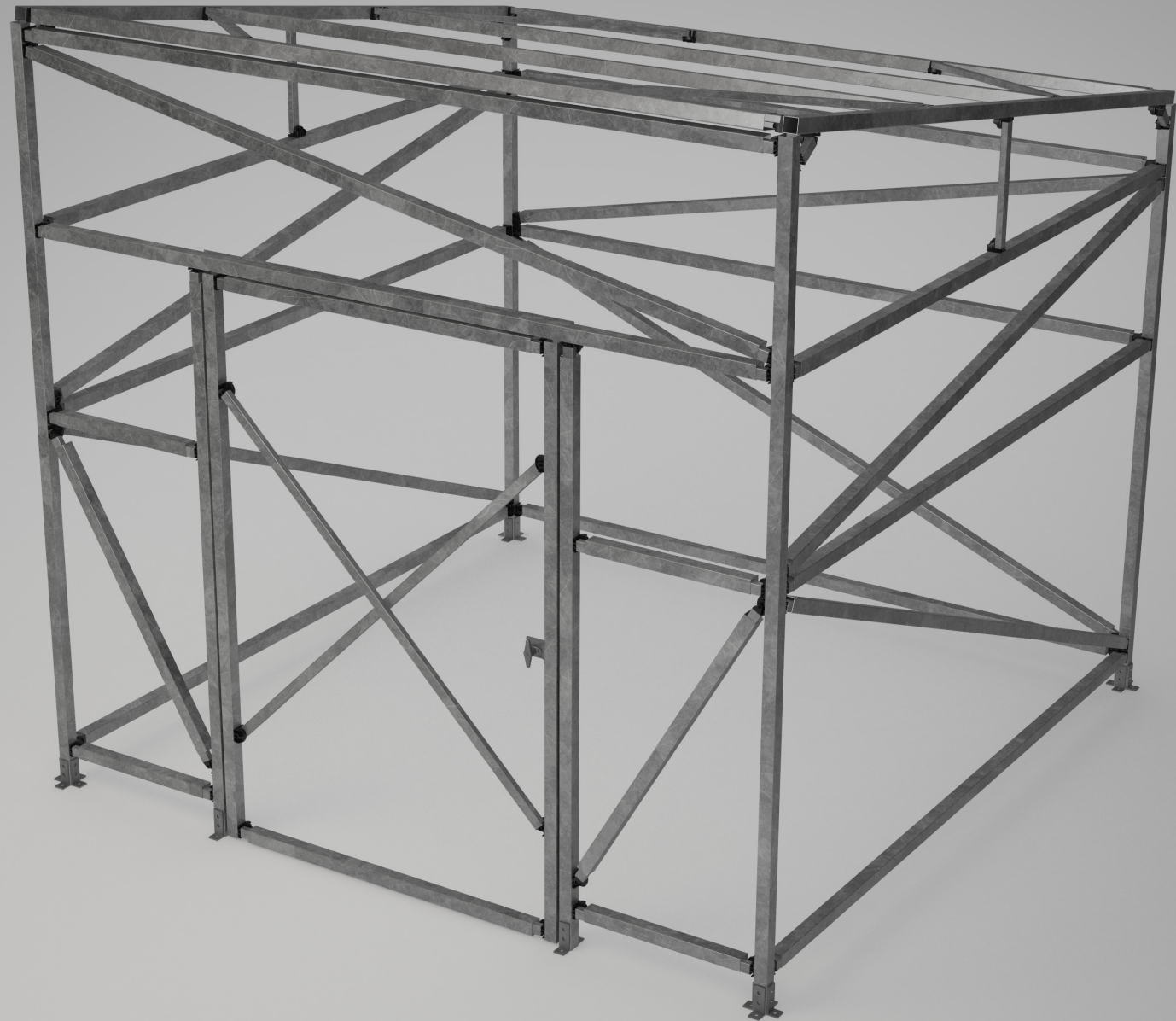
This Manual is the sole property of
Kwiktech Pty Ltd.
All rights are reserved.

This Manual is designed to be only
used with Kwiktech
produced products.

No part of this Manual or the
Kwiktech product design may be
copied or reproduced without the
consent of Kwiktech Pty Ltd.

Construction using Kwiktech
products may require planning
approval. Always contact your Local
Council for the most up-to-date
rules and regulations for your area.

All dimensions are in millimeters
(mm)



General Arrangement

'The Darwin'

3m x 3m x 3m Shed

Region C

User Manual

Read in conjunction with
Kwiktech Build Guide and
Kwiktech Tips & Tricks

Designed by

kwiktech.

Engineered by

sbec. SCHMIDT
BENTLEY
ENGINEERING
CONSULTING

Rating: Region C

Rev 3.9

This Manual is the sole property of
Kwiktech Pty Ltd.
All rights are reserved.

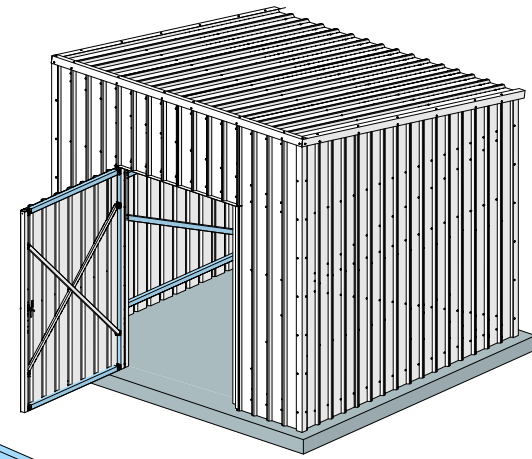
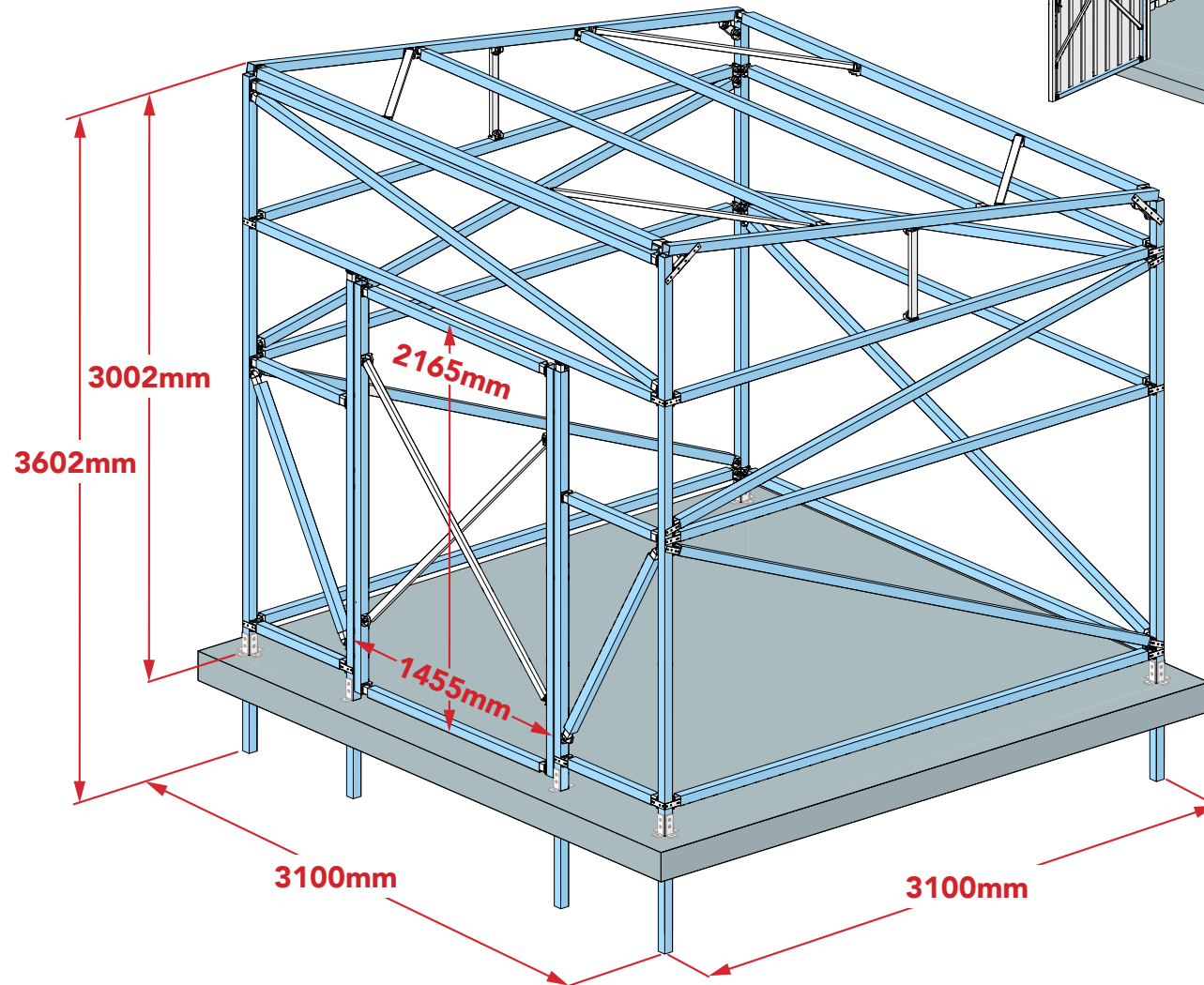
This Manual is designed to be only
used with Kwiktech
produced products.

No part of this Manual or the
Kwiktech product design may be
copied or reproduced without the
consent of Kwiktech Pty Ltd.

Construction using Kwiktech
products may require planning
approval. Always contact your Local
Council for the most up-to-date
rules and regulations for your area.

All dimensions are in millimeters
(mm)

www.kwiktech.com.au
© Kwiktech Pty Ltd 2022



Materials List

'The Darwin'
3m x 3m x 3m Shed
Region C

User Manual

Read in conjunction with
Kwiktech Build Guide and
Kwiktech Tips & Tricks

Designed by



Engineered by



Rating: Region C

Rev 3.9

This Manual is the sole property of
Kwiktech Pty Ltd.
All rights are reserved.

This Manual is designed to be only
used with Kwiktech
produced products.

No part of this Manual or the
Kwiktech product design may be
copied or reproduced without the
consent of Kwiktech Pty Ltd.

Construction using Kwiktech
products may require planning
approval. Always contact your Local
Council for the most up-to-date
rules and regulations for your area.

All dimensions are in millimeters
(mm)

KWIKTECH KITS

ITEM	QUANTITY	RESELLER PRICE
Kwiktech DIY Rated Shed Kit (NOTE: Some items will not be used)	2	

NON KWIKTECH ITEMS

ITEM	ITEM ID #	ASSEMBLY ID #	LENGTH	COLOUR	QUANTITY	RESELLER PRICE
RHS 75x50x2.0mm	1	A	2900	Galv	2	
SHS 50x50x1.5mm or 1.6mm	2 3		3548*	Galv	2	
SHS 50x50x1.5mm or 1.6mm	4	B	3147	Galv	3	
SHS 50x50x1.5mm or 1.6mm	5 6		3084	Galv	2	
SHS 50x50x1.5mm or 1.6mm	7 8		3055*	Galv	2	
SHS 50x50x1.5mm or 1.6mm	9	C	2959	Galv	4	
SHS 50x50x1.5mm or 1.6mm	10	D	2900	Galv	4	
SHS 50x50x1.5mm or 1.6mm (Displacement plates both ends)	11	E	2896	Galv	9	
SHS 50x50x1.5mm or 1.6mm	12	F	2733*	Galv	2	
SHS 50x50x1.5mm or 1.6mm	13		2163	Galv	2	
SHS 50x50x1.5mm or 1.6mm	14	H	1255	Galv	2	
SHS 50x50x1.5mm or 1.6mm	15	I	1241	Galv	2	
SHS 50x50x1.5mm or 1.6mm	16	J	613	Galv	2	
SHS 50x50x1.5mm or 1.6mm	17	G	609	Galv	2	
RHS 38x25x1.2mm or 1.6mm	18	B	3217	Galv	3	
RHS 38x25x1.2mm or 1.6mm	19	C	3029	Galv	4	
RHS 38x25x1.2mm or 1.6mm	20	A D	2970	Galv	6	
RHS 38x25x1.2mm or 1.6mm (Displacement plates both ends)	21	E	2966	Galv	9	
RHS 38x25x1.2mm or 1.6mm	22		2023	Galv	2	
RHS 38x25x1.2mm or 1.6mm	23		1852	Galv	2	
RHS 38x25x1.2mm or 1.6mm	24	H	1325	Galv	2	
RHS 38x25x1.2mm or 1.6mm	25	I	1311	Galv	2	
RHS 38x25x1.2mm or 1.6mm	26		1278	Galv	4	
RHS 38x25x1.2mm or 1.6mm	27	F	1000	Galv	2	
RHS 38x25x1.2mm or 1.6mm	28	J	683	Galv	2	
RHS 38x25x1.2mm or 1.6mm (Displacement plates both ends)	29	G	679	Galv	2	
RHS 38x25x1.2mm or 1.6mm (x4 used for temporary corner braces)	30		442	Galv	6	
RHS 38x25x1.2mm or 1.6mm	31		80	Galv	2	
RHS 38x25x1.2mm or 1.6mm	32		68	Galv	3	

*NOTE: If fixing the shed on existing concrete, reduce these member lengths by 600mm.

Materials List

'The Darwin'
3m x 3m x 3m Shed
Region C

User Manual

Read in conjunction with
Kwiktech Build Guide and
Kwiktech Tips & Tricks

Designed by



Engineered by



Rating: Region C

Rev 3.9

This Manual is the sole property of
Kwiktech Pty Ltd.
All rights are reserved.

This Manual is designed to be only
used with Kwiktech
produced products.

No part of this Manual or the
Kwiktech product design may be
copied or reproduced without the
consent of Kwiktech Pty Ltd.

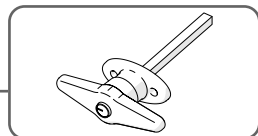
Construction using Kwiktech
products may require planning
approval. Always contact your Local
Council for the most up-to-date
rules and regulations for your area.

All dimensions are in millimeters
(mm)

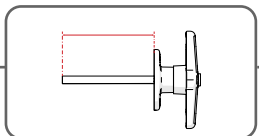
NON KWIKTECH ITEMS

ITEM	ID #	LENGTH	COLOUR	QUANTITY	RESELLER PRICE
TrimDek Cladding 762x29x0.42mm or 0.48mm - Roof	RF 1	3275		4	
TrimDek Cladding 762x29x0.42mm or 0.48mm - Front Outers	CL 1	3000		2	
TrimDek Cladding 762x29x0.42mm or 0.48mm - Side 1	CL 2	3000		2	
TrimDek Cladding 762x29x0.42mm or 0.48mm - Side 2	CL 3	2875		2	
TrimDek Cladding 762x29x0.42mm or 0.48mm - Side 3	CL 4	2750		2	
TrimDek Cladding 762x29x0.42mm or 0.48mm - Side 4	CL 5	2625		2	
TrimDek Cladding 762x29x0.42mm or 0.48mm - Back	CL 6	2500		4	
TrimDek Cladding 762x29x0.42mm or 0.48mm - Door	CL 7	2165		2	
TrimDek Cladding 762x29x0.42mm or 0.48mm - Front above Door	CL 8	825		2	
Roof Sides Flashing	FL 1	3310		2	
Peak Flashing	FL 2	3170		1	
Front Corners Flashing	FL 3	3000		2	
Back Flashing	FL 4	3100		1	
Back Corners Flashing	FL 5	2510		2	
Door Frame Housing Flashing	FL 6	2172		2	
Door Side Flashing	FL 7	2165		2	
Above Door Flashing	FL 8	1590		1	
Door Lock Flashing	FL 9.1 FL 9.2	40	Galv	1	
Internal Door Frame Flashing	FL 10	1518	Customers Choice	1	
100x100x2.5 Zinc Plated Butt Hinge		100	Galv	3	
Tee Handle Kit & Inside Latch		-	-	1	
Tek Screw 16mmx10g Coloured		16	Customers Choice	400	
Tek Screw 53mmx12g Coloured - Neo		53		200	
M12x75 4.6 Hex head Galv Bolt & Nut	Only required if fixing to existing concrete.	75	Galv	10	
P1326H Ninety Degree Fitting HG		105	Galv	20	
Dynabolt DP12100 M10 12x100 Galv		100	Galv	20	
38x25 Black Plastic Post Cap		38	Black	2	
				Sub-Total	
				GST	
				Shipping	
				Total Cost	

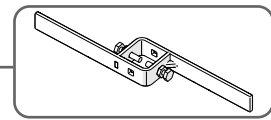
Refer to page 28 for details



Tee Handle



Minimum Tee Handle Length 75mm



Recommend using a heavy duty inner lock, such as the one pictured above.

Materials List

'The Darwin'
3m x 3m x 3m Shed
Region C

User Manual

Read in conjunction with
Kwiktech Build Guide and
Kwiktech Tips & Tricks

Designed by



Engineered by



Rating: Region C

Rev 3.9

This Manual is the sole property of
Kwiktech Pty Ltd.
All rights are reserved.

This Manual is designed to be only
used with Kwiktech
produced products.

No part of this Manual or the
Kwiktech product design may be
copied or reproduced without the
consent of Kwiktech Pty Ltd.

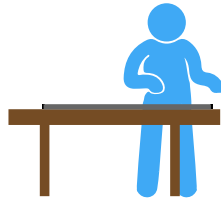
Construction using Kwiktech
products may require planning
approval. Always contact your Local
Council for the most up-to-date
rules and regulations for your area.

All dimensions are in millimeters
(mm)

www.kwiktech.com.au

© Kwiktech Pty Ltd 2022

Build Preparation



Rail Inserts



Extra Strong Rails



Universal
Connectors

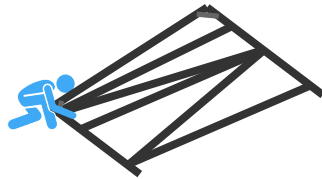


Door Stopper

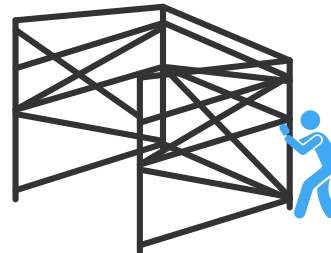


Footing
Preparation

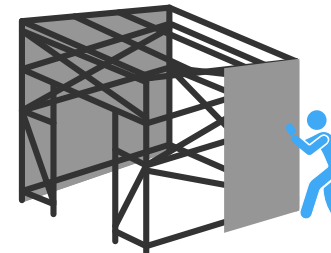
Assembly Sequence



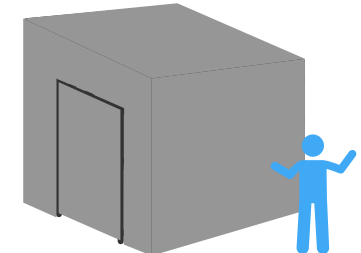
Fabricate



Erect & Fabricate
(Grab 2 mates for a hand)



Cladding & Flashings
(Grab a mate for a hand)



Finished Product

REQUIRED KWIKTECH ITEMS (INCLUDED IN KIT)

ITEM	QUANTITY	ITEM	QUANTITY
Post Connector (KT-P-001)	0	10G x 16 Self Drilling Wafer Head Screw	1200
Universal Connector (KT-P-002)	120	M6 x 40 Socket Head Cap Screw - Zinc	120
Rail Inserts (KT-P-003)	108	M6 x 20 Hex Head Bolt - Galv	0
60° Rail Inserts (KT-P-004)	12	M6 Nut - Galv	0
Star Picket Guide (KT-P-005)	0	Kwiktech 2mm Displacement Plate	24
Post Cap (KT-P-006)	0	Right Angle Bracket - Zinc	4
Tension Strapping 0.8 x 30 x 85mm	24	Assembly Wedge - Rubber	2
Tension Strapping 0.8 x 30 x 95mm	24	10G x 16 Self Drilling Small Head Flat Top Screw	260
Tension Strapping 0.8 x 30 x 135mm	8		
Tension Strapping 0.8 x 30 x 250mm	8		

HOLLOW METAL TOTAL

ITEM	TOTAL LENGTH
Duragal 75x50x2.0mm	6m
Duragal 50x50x1.5mm	96m
Duragal 38x25x1.2mm	93m

FOR
INFORMATION
ONLY

Member Locations

'The Darwin'
3m x 3m x 3m Shed
Region C

User Manual

Read in conjunction with
Kwiktech Build Guide and
Kwiktech Tips & Tricks

Designed by

kwiktech.

Engineered by

sbec. SCHMIDT
BENTLEY
ENGINEERING
CONSULTING

Rating: Region C

Rev 3.9

This Manual is the sole property of
Kwiktech Pty Ltd.
All rights are reserved.

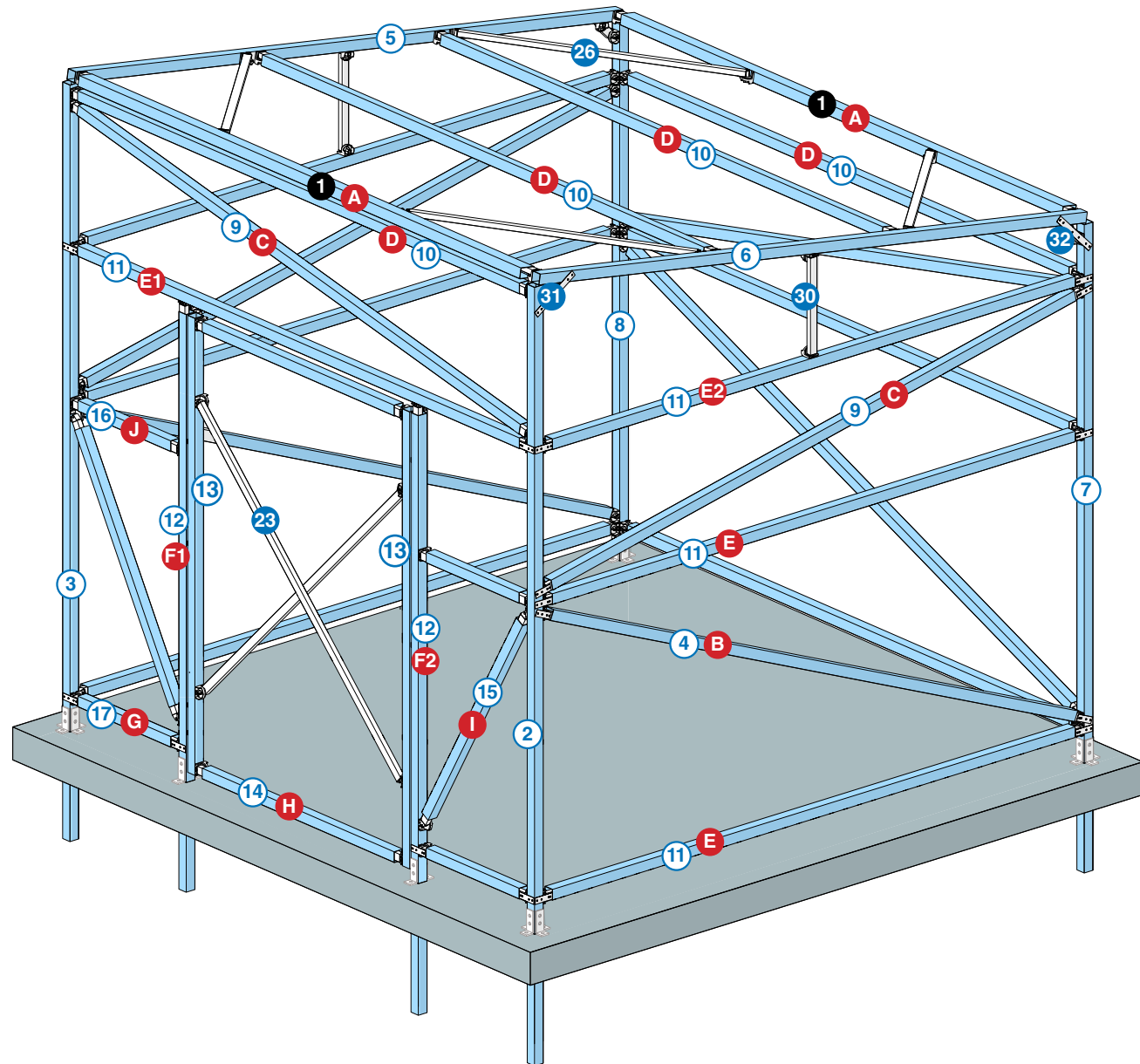
This Manual is designed to be only
used with Kwiktech
produced products.

No part of this Manual or the
Kwiktech product design may be
copied or reproduced without the
consent of Kwiktech Pty Ltd.

Construction using Kwiktech
products may require planning
approval. Always contact your Local
Council for the most up-to-date
rules and regulations for your area.

All dimensions are in millimeters
(mm)

www.kwiktech.com.au
© Kwiktech Pty Ltd 2022



NOTE: Some member ID's hidden for clarity.

Rail Assembly

'The Darwin'
3m x 3m x 3m Shed
Region C
User Manual

Read in conjunction with
Kwiktech Build Guide and
Kwiktech Tips & Tricks

Designed by



Engineered by



Rating: Region C

Rev 3.9

This Manual is the sole property of
Kwiktech Pty Ltd.
All rights are reserved.

This Manual is designed to be only
used with Kwiktech
produced products.

No part of this Manual or the
Kwiktech product design may be
copied or reproduced without the
consent of Kwiktech Pty Ltd.

Construction using Kwiktech
products may require planning
approval. Always contact your Local
Council for the most up-to-date
rules and regulations for your area.

All dimensions are in millimeters
(mm)

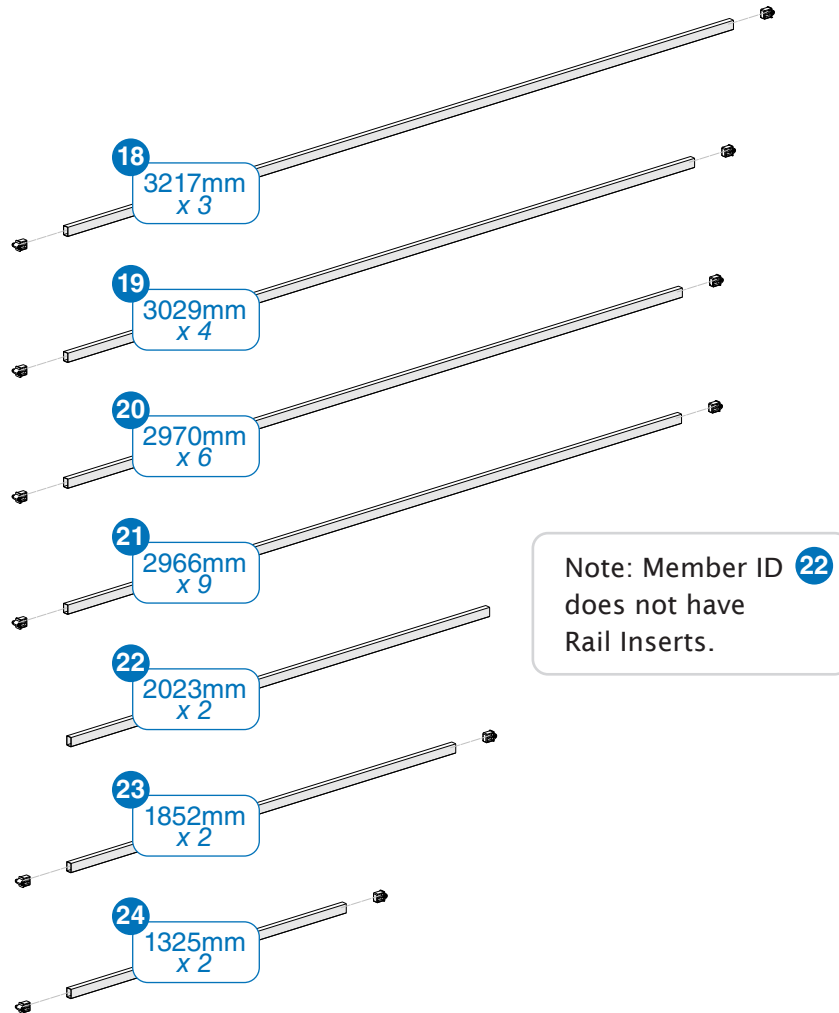
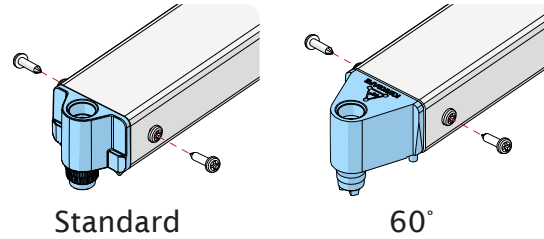
Rail Setup

Refer to build guide for
assembly details.

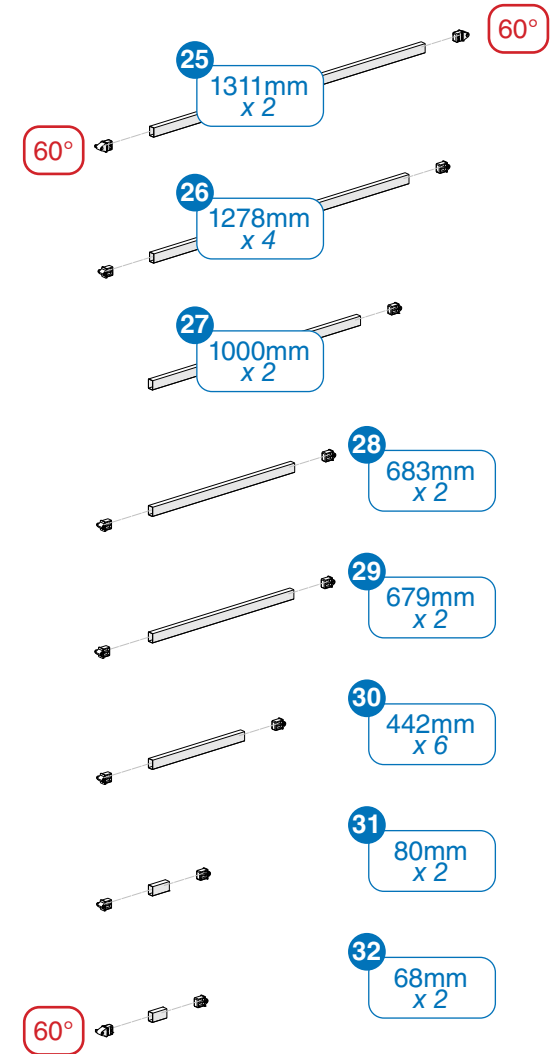
All members have a Standard
insert unless otherwise noted.

Mark item ID on each member.

RAIL INSERT TYPES



Note: Member ID 22
does not have
Rail Inserts.



Approximate time
required: 2 Hours

Extra Strong Rail Assembly

'The Darwin'

3m x 3m x 3m Shed

Region C

User Manual

Read in conjunction with
Kwiktech Build Guide and
Kwiktech Tips & Tricks

Designed by

kwiktech.

Engineered by

sbec. SCHMIDT
BENTLEY
ENGINEERING
CONSULTING

Rating: Region C

Rev 3.9

This Manual is the sole property of
Kwiktech Pty Ltd.
All rights are reserved.

This Manual is designed to be only
used with Kwiktech
produced products.

No part of this Manual or the
Kwiktech product design may be
copied or reproduced without the
consent of Kwiktech Pty Ltd.

Construction using Kwiktech
products may require planning
approval. Always contact your Local
Council for the most up-to-date
rules and regulations for your area.

All dimensions are in millimeters
(mm)

www.kwiktech.com.au
© Kwiktech Pty Ltd 2022

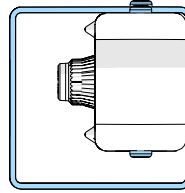
Rail Setup

Refer to build guide for
assembly details.

Mark assembly ID
on each member.

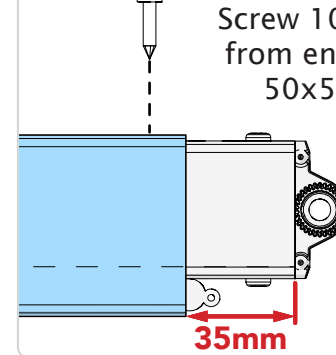
MEMBER ORIENTATION

38x25 in the
Top Left Corner



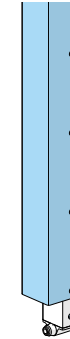
ENDS FIXING DETAIL

Screw 10mm
from end of
50x50

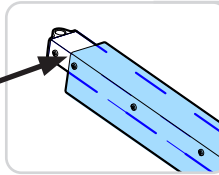


ENDS FIXING DETAIL

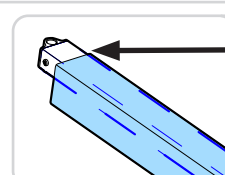
4 screws from
50x50 into 38x25.
100mm spacing,
both ends



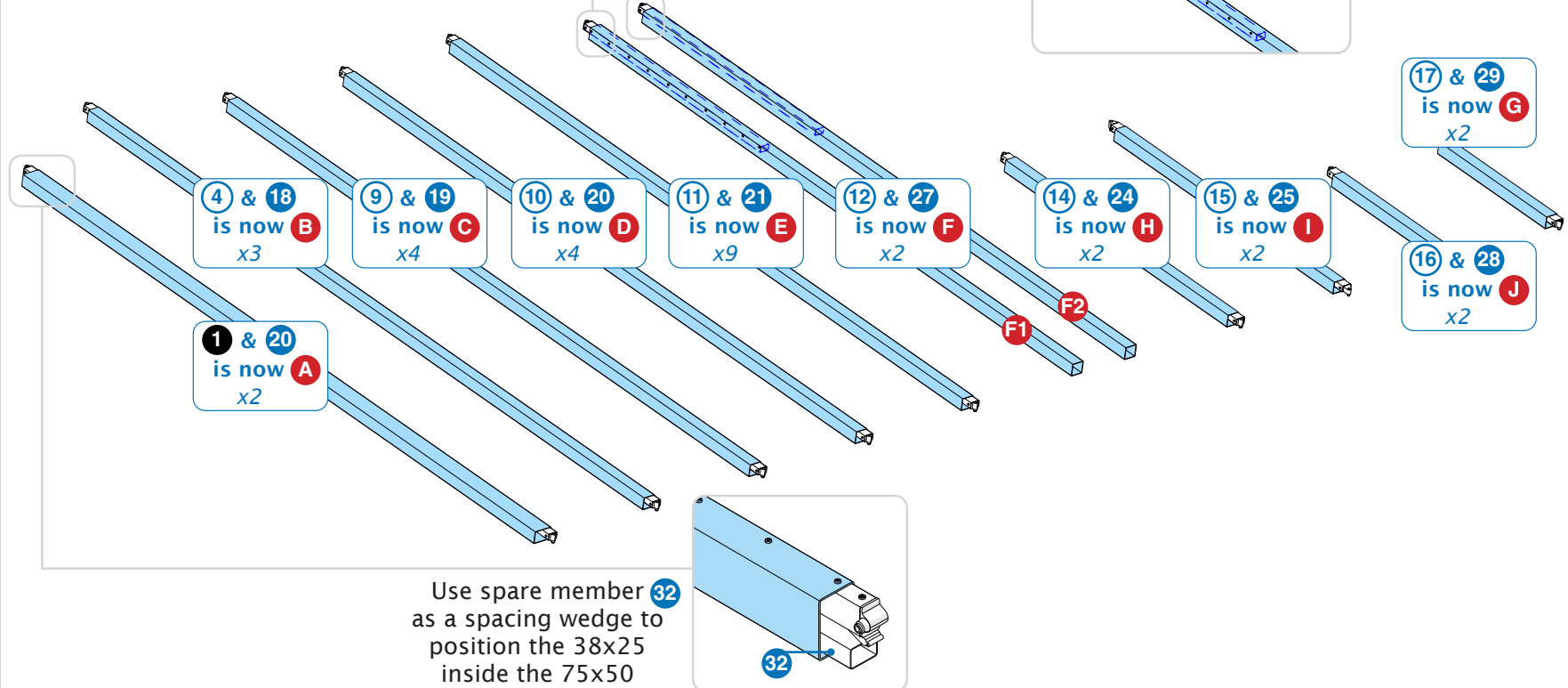
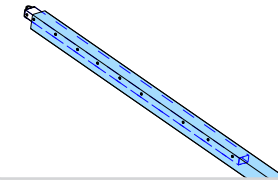
Align edge



Align edge



Typical number of
screws



Approximate time
required: 3 Hours

Universal Connector Locations

'The Darwin'

3m x 3m x 3m Shed

Region C

User Manual

Read in conjunction with Kwiktech Build Guide and Kwiktech Tips & Tricks

Designed by



Engineered by



Rating: Region C

Rev 3.9

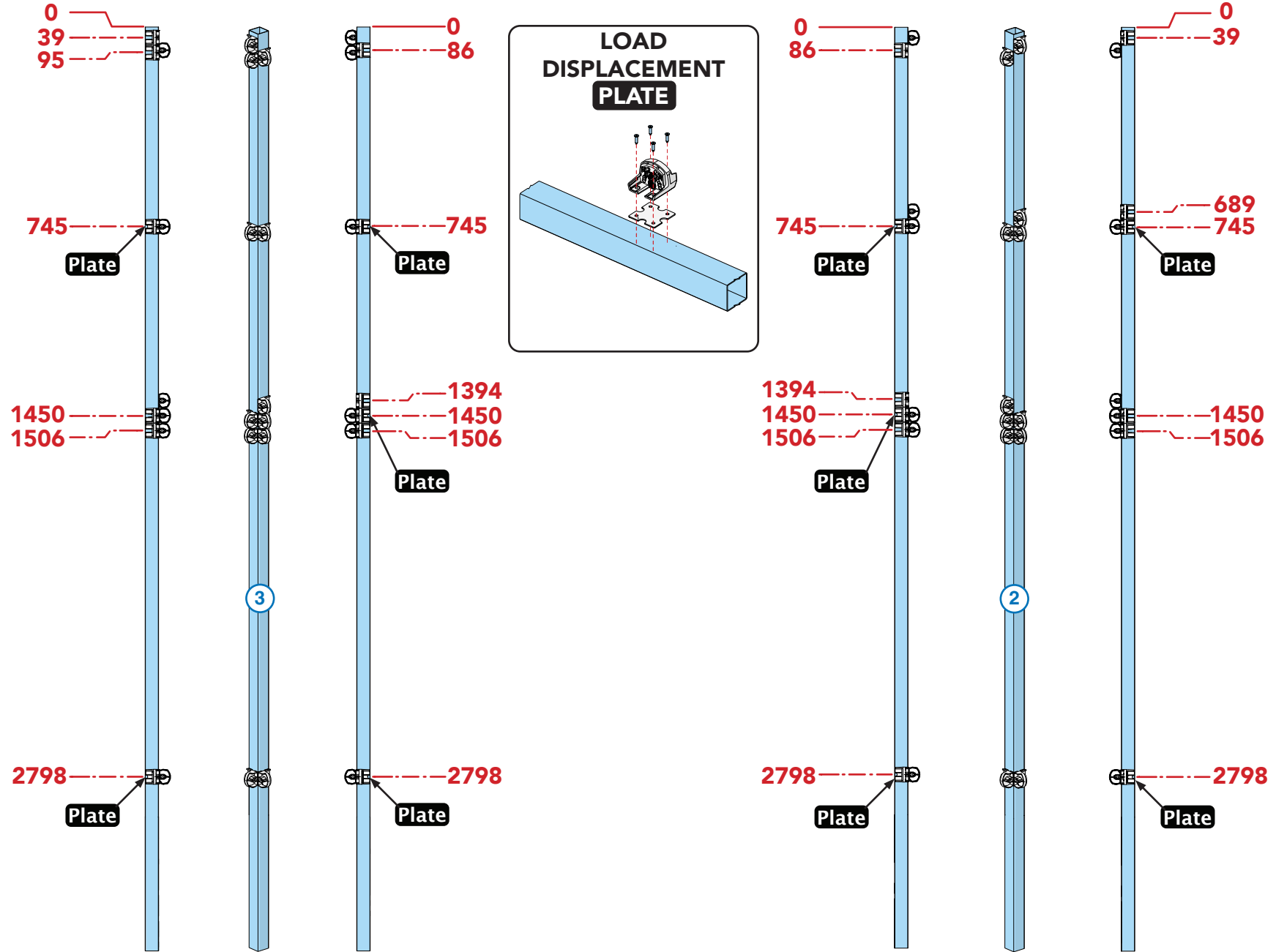
This Manual is the sole property of Kwiktech Pty Ltd. All rights are reserved.

This Manual is designed to be only used with Kwiktech produced products.

No part of this Manual or the Kwiktech product design may be copied or reproduced without the consent of Kwiktech Pty Ltd.

Construction using Kwiktech products may require planning approval. Always contact your Local Council for the most up-to-date rules and regulations for your area.

All dimensions are in millimeters (mm)



Front Left Post

Front Right Post

Approximate time required: 1 Hour

Universal Connector Locations

'The Darwin'

3m x 3m x 3m Shed

Region C

User Manual

Read in conjunction with
Kwiktech Build Guide and
Kwiktech Tips & Tricks

Designed by

kwiktech.

Engineered by

sbec. SCHMIDT
BENTLEY
ENGINEERING
CONSULTING

Rating: Region C

Rev 3.9

This Manual is the sole property of
Kwiktech Pty Ltd.
All rights are reserved.

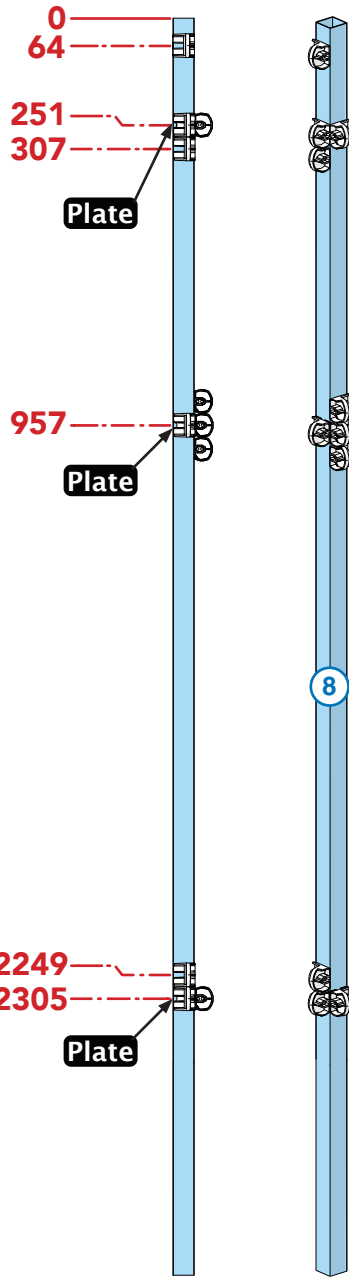
This Manual is designed to be only
used with Kwiktech
produced products.

No part of this Manual or the
Kwiktech product design may be
copied or reproduced without the
consent of Kwiktech Pty Ltd.

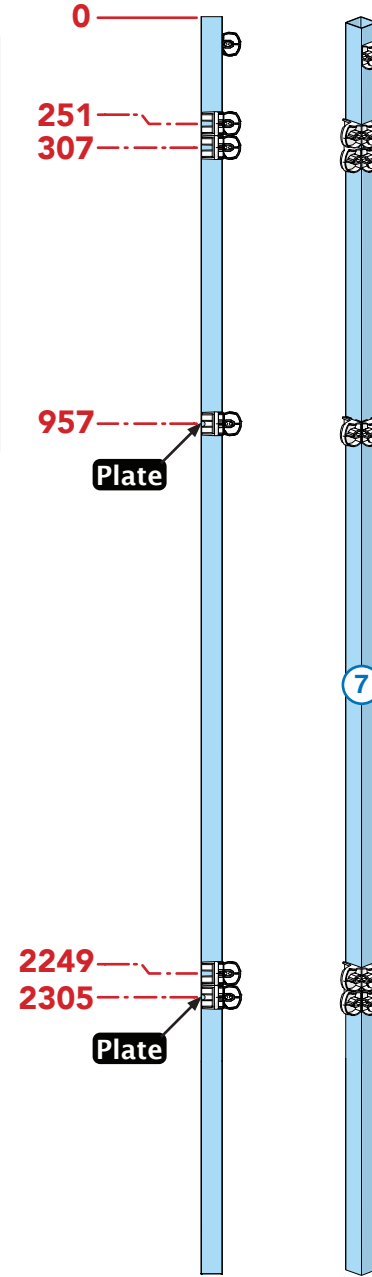
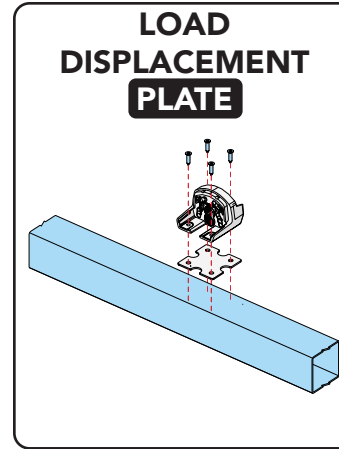
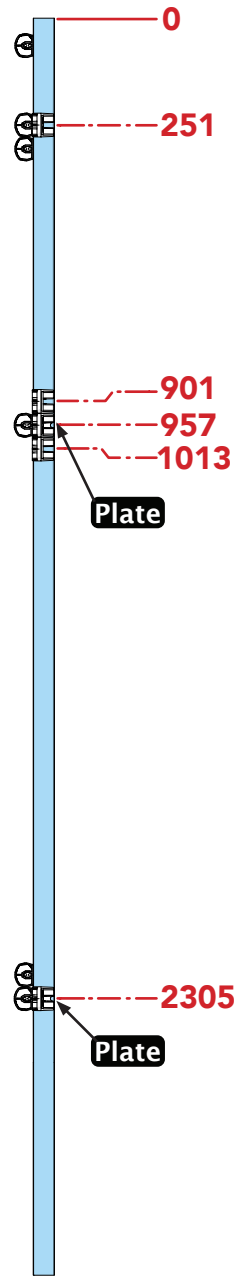
Construction using Kwiktech
products may require planning
approval. Always contact your Local
Council for the most up-to-date
rules and regulations for your area.

All dimensions are in millimeters
(mm)

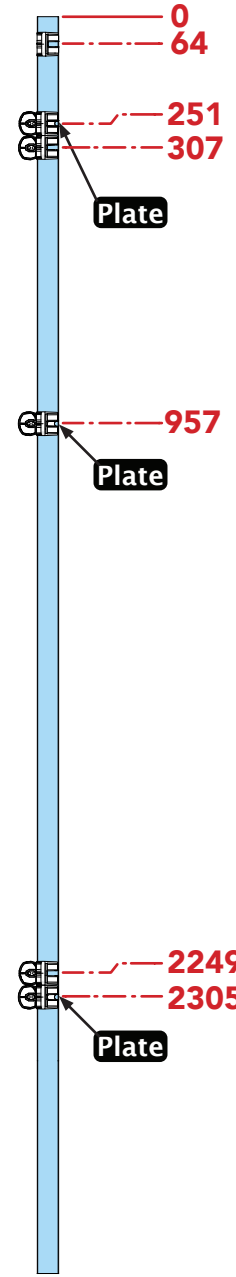
www.kwiktech.com.au
© Kwiktech Pty Ltd 2022



Back Left Post



Back Right Post



Approximate time
required: 1 Hour

Universal Connector Locations

'The Darwin'

3m x 3m x 3m Shed

Region C

User Manual

Read in conjunction with
Kwiktech Build Guide and
Kwiktech Tips & Tricks

Designed by

kwiktech.

Engineered by

sbec. SCHMIDT
BENTLEY
ENGINEERING
CONSULTING

Rating: Region C

Rev 3.9

This Manual is the sole property of
Kwiktech Pty Ltd.
All rights are reserved.

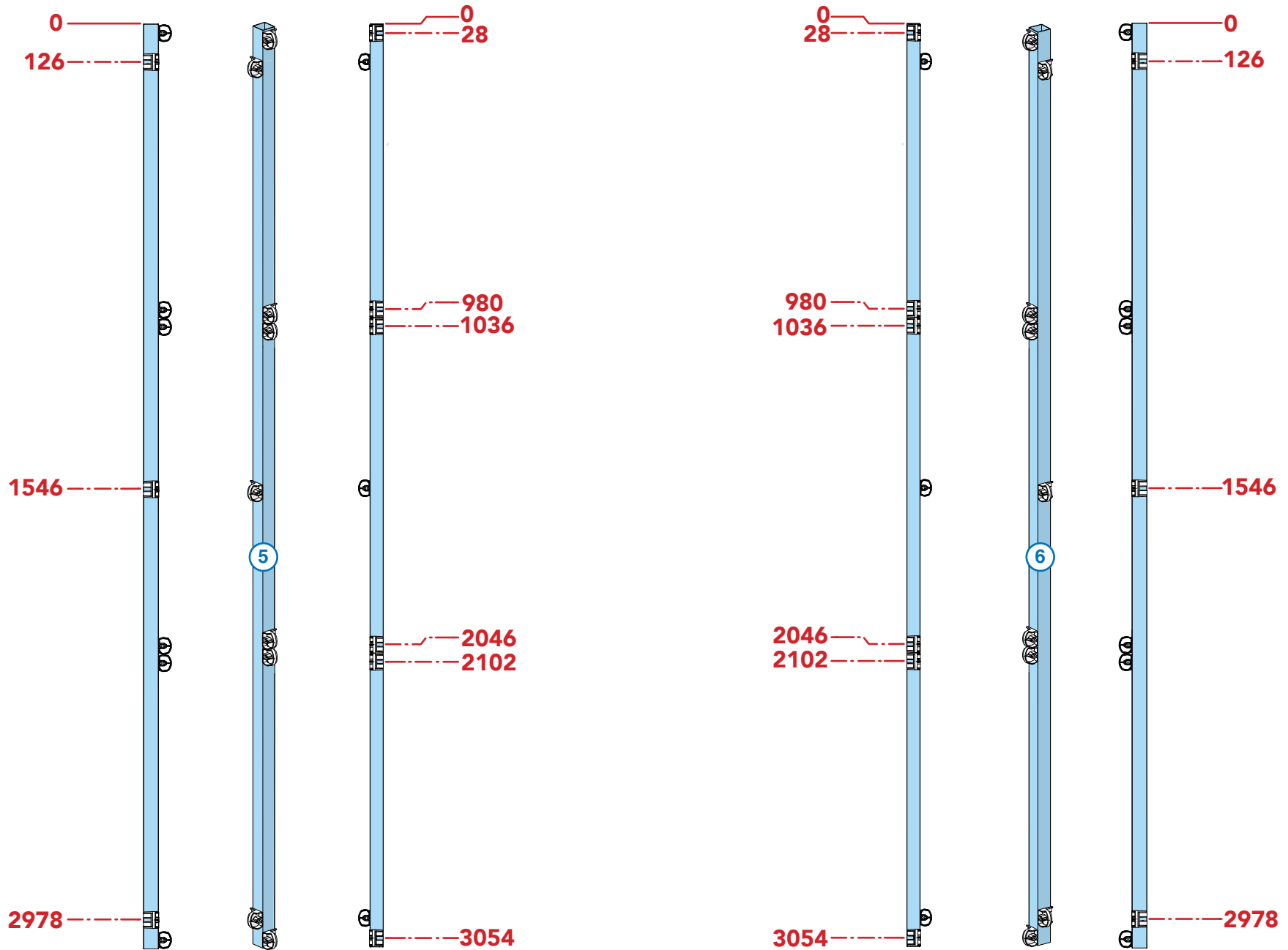
This Manual is designed to be only
used with Kwiktech
produced products.

No part of this Manual or the
Kwiktech product design may be
copied or reproduced without the
consent of Kwiktech Pty Ltd.

Construction using Kwiktech
products may require planning
approval. Always contact your Local
Council for the most up-to-date
rules and regulations for your area.

All dimensions are in millimeters
(mm)

www.kwiktech.com.au
© Kwiktech Pty Ltd 2022



Roof Left

Roof Right

Approximate time
required: 0.5 Hours

Universal Connector Locations

'The Darwin'

3m x 3m x 3m Shed

Region C

User Manual

Read in conjunction with
Kwiktech Build Guide and
Kwiktech Tips & Tricks

Designed by

kwiktech.

Engineered by

sbec. SCHMIDT
BENTLEY
ENGINEERING
CONSULTING

Rating: Region C

Rev 3.9

This Manual is the sole property of
Kwiktech Pty Ltd.
All rights are reserved.

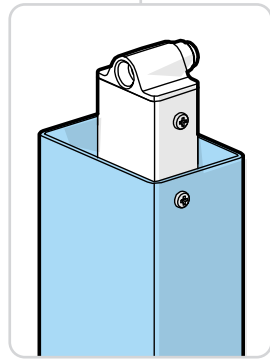
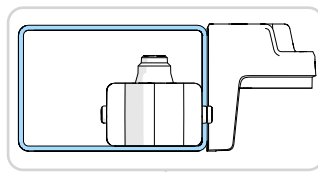
This Manual is designed to be only
used with Kwiktech
produced products.

No part of this Manual or the
Kwiktech product design may be
copied or reproduced without the
consent of Kwiktech Pty Ltd.

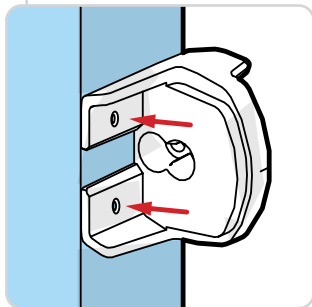
Construction using Kwiktech
products may require planning
approval. Always contact your Local
Council for the most up-to-date
rules and regulations for your area.

All dimensions are in millimeters
(mm)

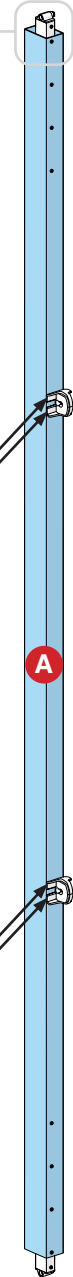
www.kwiktech.com.au
© Kwiktech Pty Ltd 2022



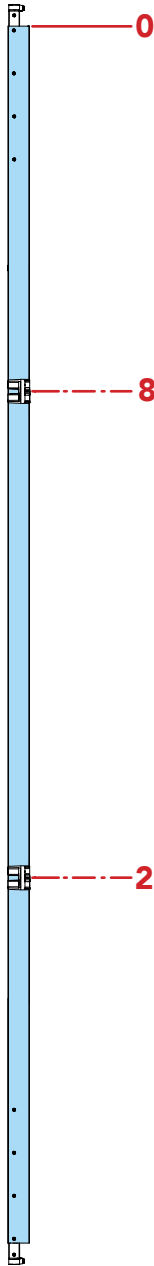
Predrill x2 Pilot
Holes 3.5mm \varnothing



Predrill x2 Pilot
Holes 3.5mm \varnothing



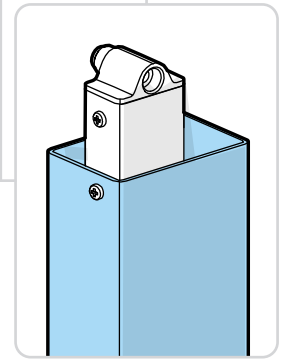
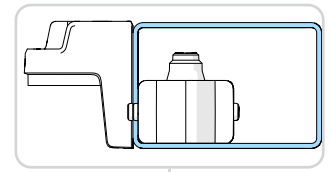
Roof Front



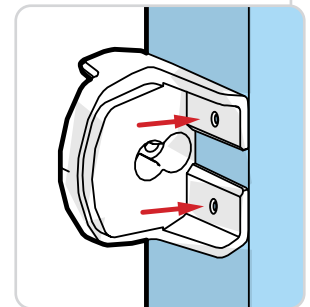
0

881

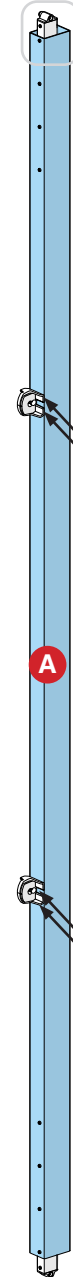
2019



Predrill x2 Pilot
Holes 3.5mm \varnothing



Predrill x2 Pilot
Holes 3.5mm \varnothing



Roof Back



0

881

2019

Approximate time
required: 0.25 Hours

Universal Connector Locations

'The Darwin'

3m x 3m x 3m Shed
Region C

User Manual

Read in conjunction with
Kwiktech Build Guide and
Kwiktech Tips & Tricks

Designed by

kwiktech.

Engineered by

sbec. SCHMIDT
BENTLEY
ENGINEERING
CONSULTING

Rating: Region C

Rev 3.9

This Manual is the sole property of
Kwiktech Pty Ltd.
All rights are reserved.

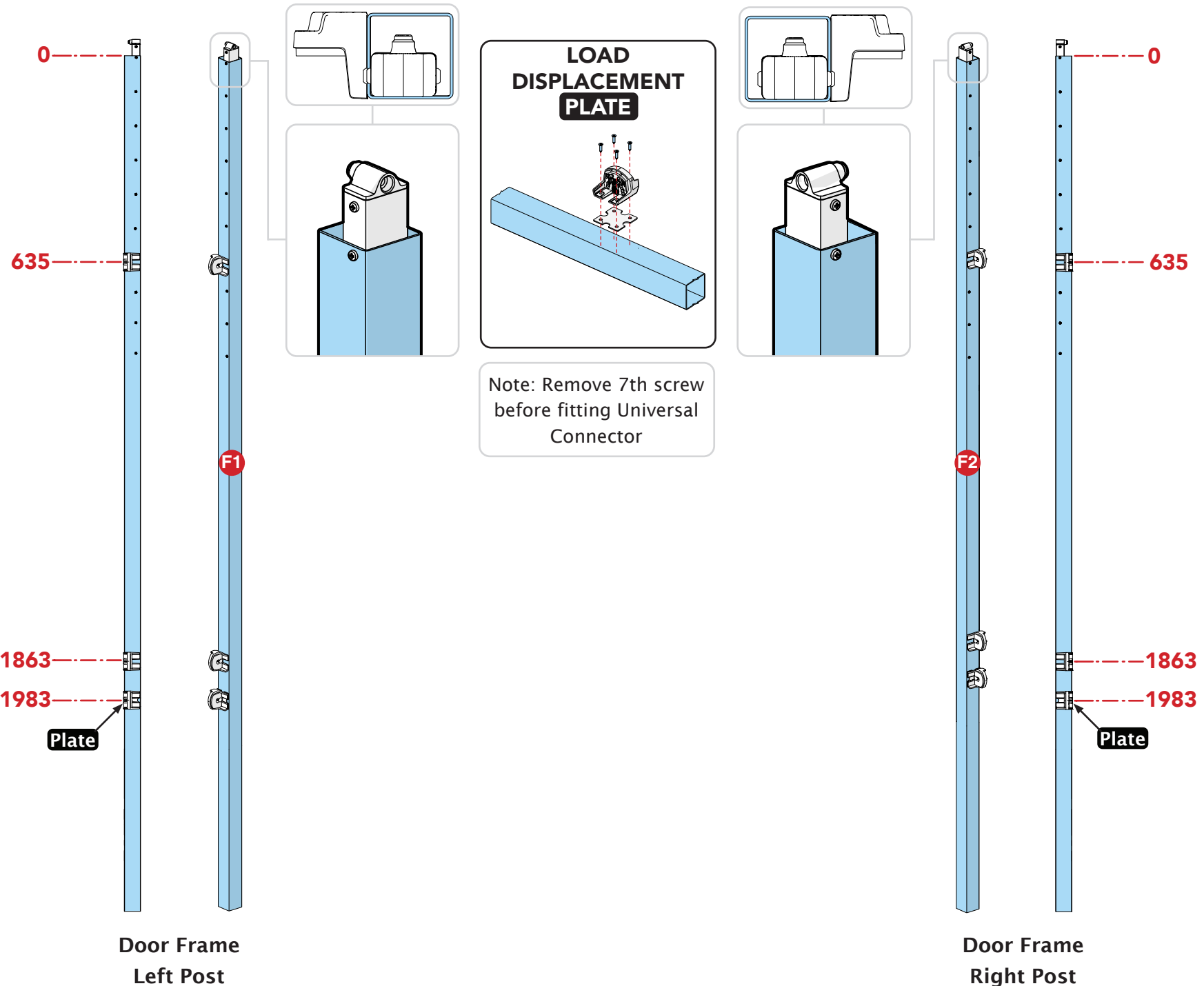
This Manual is designed to be only
used with Kwiktech
produced products.

No part of this Manual or the
Kwiktech product design may be
copied or reproduced without the
consent of Kwiktech Pty Ltd.

Construction using Kwiktech
products may require planning
approval. Always contact your Local
Council for the most up-to-date
rules and regulations for your area.

All dimensions are in millimeters
(mm)

www.kwiktech.com.au
© Kwiktech Pty Ltd 2022



Approximate time
required: 0.25 Hours

Door Frame Stopper

'The Darwin'
3m x 3m x 3m Shed
Region C

User Manual

Read in conjunction with
Kwiktech Build Guide and
Kwiktech Tips & Tricks

Designed by

kwiktech.

Engineered by

sbec. SCHMIDT
BENTLEY
ENGINEERING
CONSULTING

Rating: Region C

Rev 3.9

This Manual is the sole property of
Kwiktech Pty Ltd.
All rights are reserved.

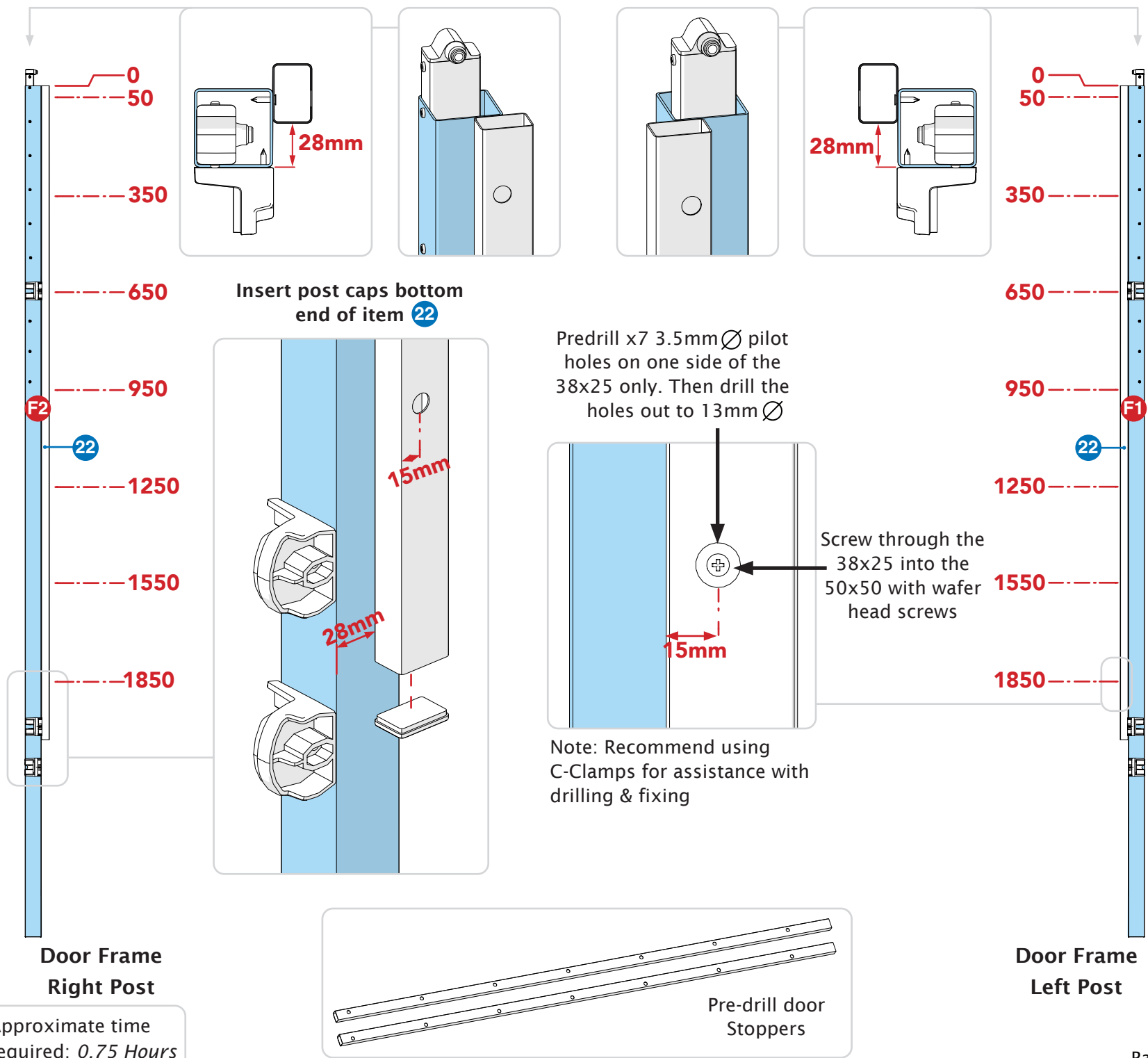
This Manual is designed to be only
used with Kwiktech
produced products.

No part of this Manual or the
Kwiktech product design may be
copied or reproduced without the
consent of Kwiktech Pty Ltd.

Construction using Kwiktech
products may require planning
approval. Always contact your Local
Council for the most up-to-date
rules and regulations for your area.

All dimensions are in millimeters
(mm)

www.kwiktech.com.au
© Kwiktech Pty Ltd 2022



Door Frame
Right Post

Door Frame
Left Post

Approximate time
required: 0.75 Hours

Pre-drill door
Stoppers

Universal Connector Locations

'The Darwin'

3m x 3m x 3m Shed

Region C

User Manual

Read in conjunction with
Kwiktech Build Guide and
Kwiktech Tips & Tricks

Designed by

kwiktech.

Engineered by

sbec. SCHMIDT
BENTLEY
ENGINEERING
CONSULTING

Rating: Region C

Rev 3.9

This Manual is the sole property of
Kwiktech Pty Ltd.
All rights are reserved.

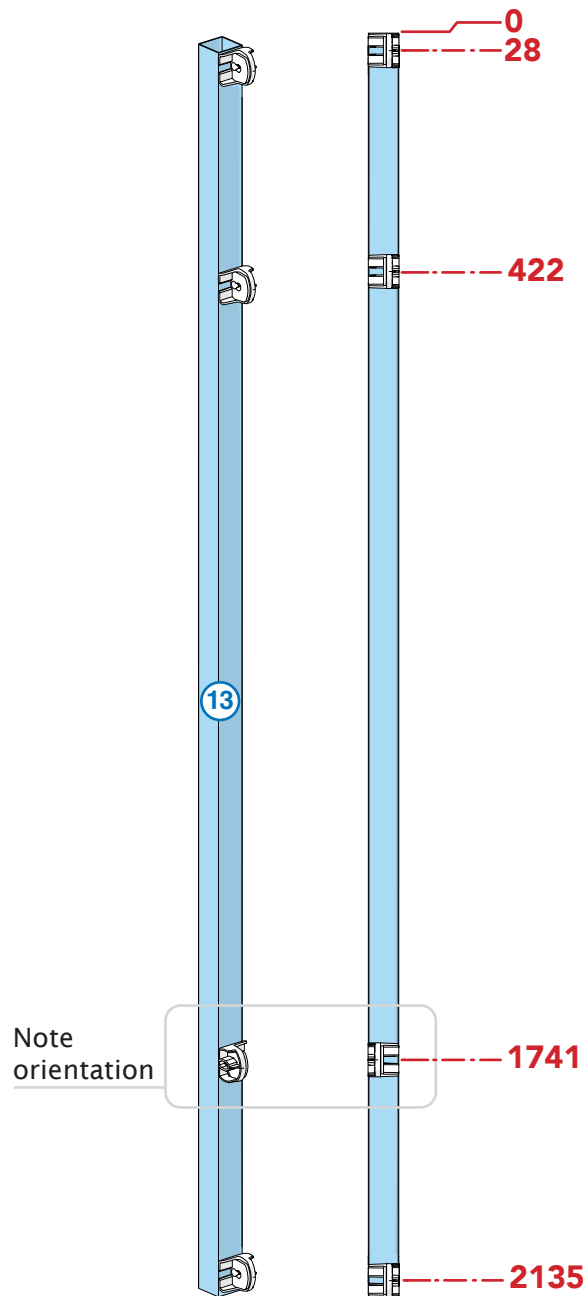
This Manual is designed to be only
used with Kwiktech
produced products.

No part of this Manual or the
Kwiktech product design may be
copied or reproduced without the
consent of Kwiktech Pty Ltd.

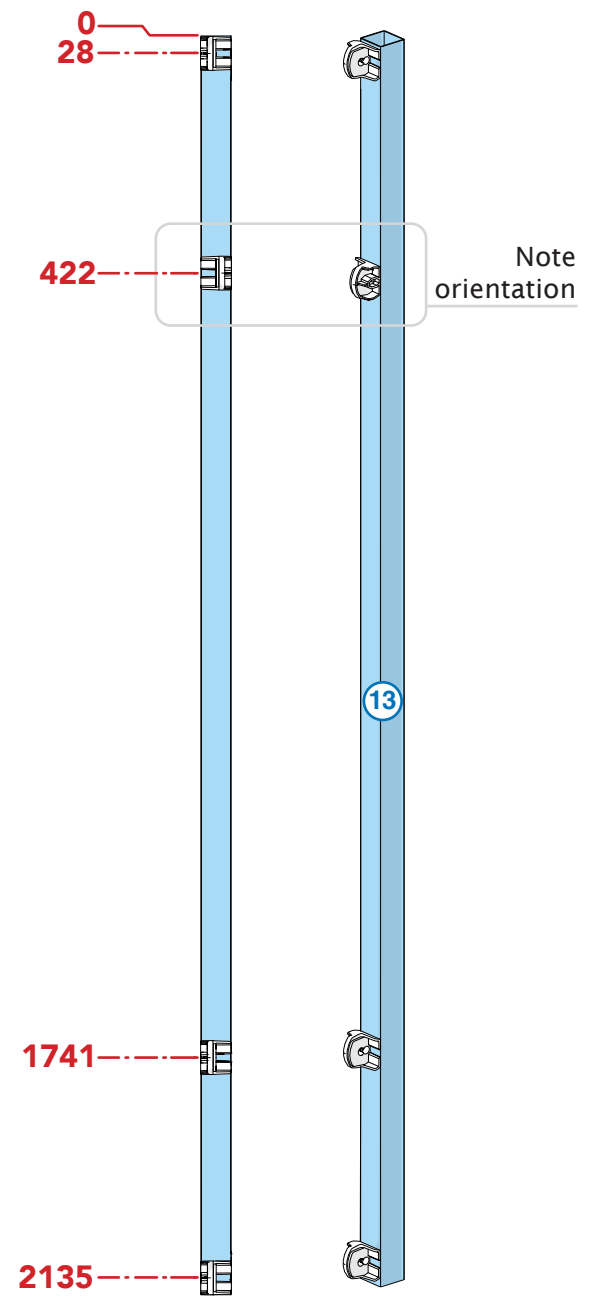
Construction using Kwiktech
products may require planning
approval. Always contact your Local
Council for the most up-to-date
rules and regulations for your area.

All dimensions are in millimeters
(mm)

www.kwiktech.com.au
© Kwiktech Pty Ltd 2022



Door Left Post



Door Right Post

Approximate time
required: 0.25 Hours

Universal Connector Locations

'The Darwin'

3m x 3m x 3m Shed

Region C

User Manual

Read in conjunction with
Kwiktech Build Guide and
Kwiktech Tips & Tricks

Designed by

kwiktech.

Engineered by

sbec. SCHMIDT
BENTLEY
ENGINEERING
CONSULTING

Rating: Region C

Rev 3.9

This Manual is the sole property of
Kwiktech Pty Ltd.
All rights are reserved.

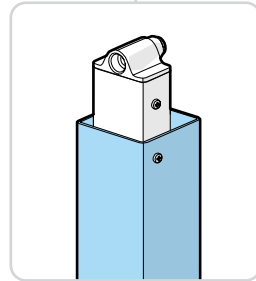
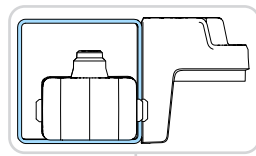
This Manual is designed to be only
used with Kwiktech
produced products.

No part of this Manual or the
Kwiktech product design may be
copied or reproduced without the
consent of Kwiktech Pty Ltd.

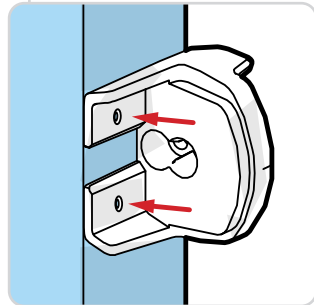
Construction using Kwiktech
products may require planning
approval. Always contact your Local
Council for the most up-to-date
rules and regulations for your area.

All dimensions are in millimeters
(mm)

www.kwiktech.com.au
© Kwiktech Pty Ltd 2022



Predrill x2 Pilot
Holes 3.5mm



Predrill x2 Pilot
Holes 3.5mm

E1

Use **E** members

0

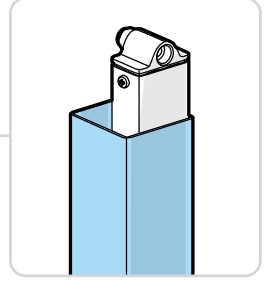
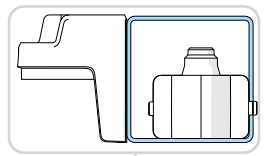
682

2214

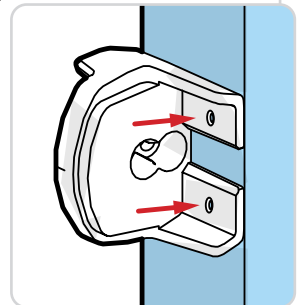
**Front Mounting Member
x 1 (Now Label **E1**)**

0

1448



Predrill x2 Pilot
Holes 3.5mm



E2

**Side Bracing Member
x 2 (Now labeled **E2**)**

Approximate time
required: 0.25 Hours

Ground Fixing Details

'The Darwin'

3m x 3m x 3m Shed

Region C

User Manual

Read in conjunction with
Kwiktech Build Guide and
Kwiktech Tips & Tricks

Designed by

kwiktech.

Engineered by

sbec. SCHMIDT
BENTLEY
ENGINEERING
CONSULTING

Rating: Region C

Rev 3.9

This Manual is the sole property of
Kwiktech Pty Ltd.
All rights are reserved.

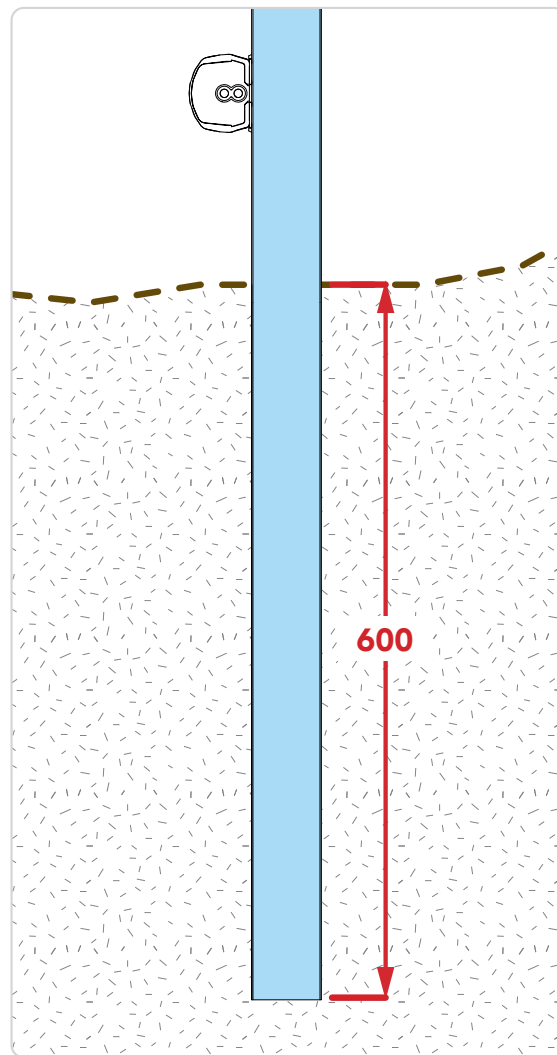
This Manual is designed to be only
used with Kwiktech
produced products.

No part of this Manual or the
Kwiktech product design may be
copied or reproduced without the
consent of Kwiktech Pty Ltd.

Construction using Kwiktech
products may require planning
approval. Always contact your Local
Council for the most up-to-date
rules and regulations for your area.

All dimensions are in millimeters
(mm)

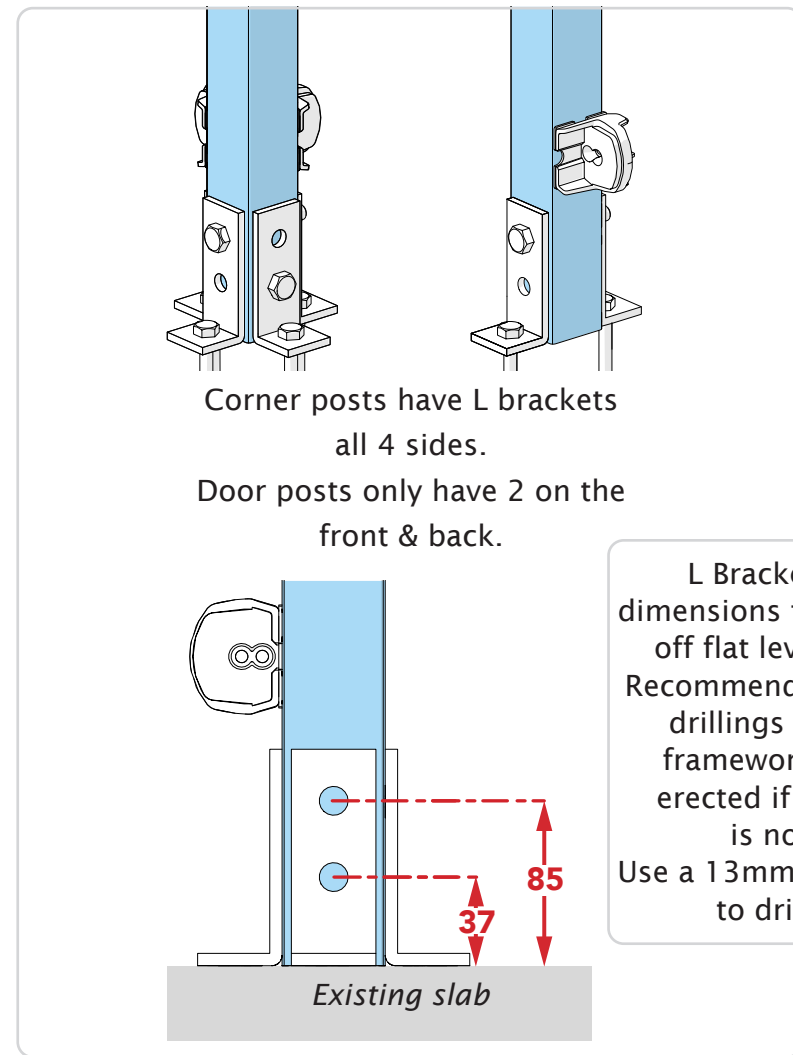
www.kwiktech.com.au
© Kwiktech Pty Ltd 2022



Primary Post Fixing Method

600mm embedment into ground x
either 450mm diameter OR 400mm
square hole.

Concrete minimum compressive
strength of 15 MPa.
(Applies to both fixing scenarios)



Secondary Post Fixing Method

Assumed existing slab to be minimum 100mm thick &
in sound structural condition.

L Bracket fixed to posts via m12x75 4.6 Hex Head Galv
Bolt/Nut. Use a 13mm metal drill bit to drill hole.

Fixed into concrete with 4 x Dynabolt DP12100GH
M10 12x100mm Galv Hex Nut, 70mm min edge
distance. Use a 12mm masonry drill bit to drill hole.

L Bracket drilling
dimensions for post based
off flat level surfaces.
Recommend marking and
drillings holes after
framework has been
erected if the surface
is not level.
Use a 13mm metal drill bit
to drill hole.

Ground Fixing Details

'The Darwin'
 3m x 3m x 3m Shed
 Region C
 User Manual

Read in conjunction with
 Kwiktech Build Guide and
 Kwiktech Tips & Tricks

Designed by



Engineered by



Rating: Region C

Rev 3.9

This Manual is the sole property of
 Kwiktech Pty Ltd.
 All rights are reserved.

This Manual is designed to be only
 used with Kwiktech
 produced products.

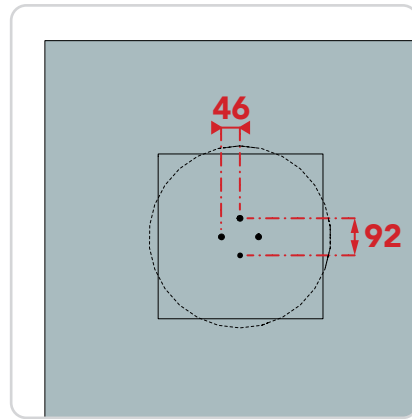
No part of this Manual or the
 Kwiktech product design may be
 copied or reproduced without the
 consent of Kwiktech Pty Ltd.

Construction using Kwiktech
 products may require planning
 approval. Always contact your Local
 Council for the most up-to-date
 rules and regulations for your area.

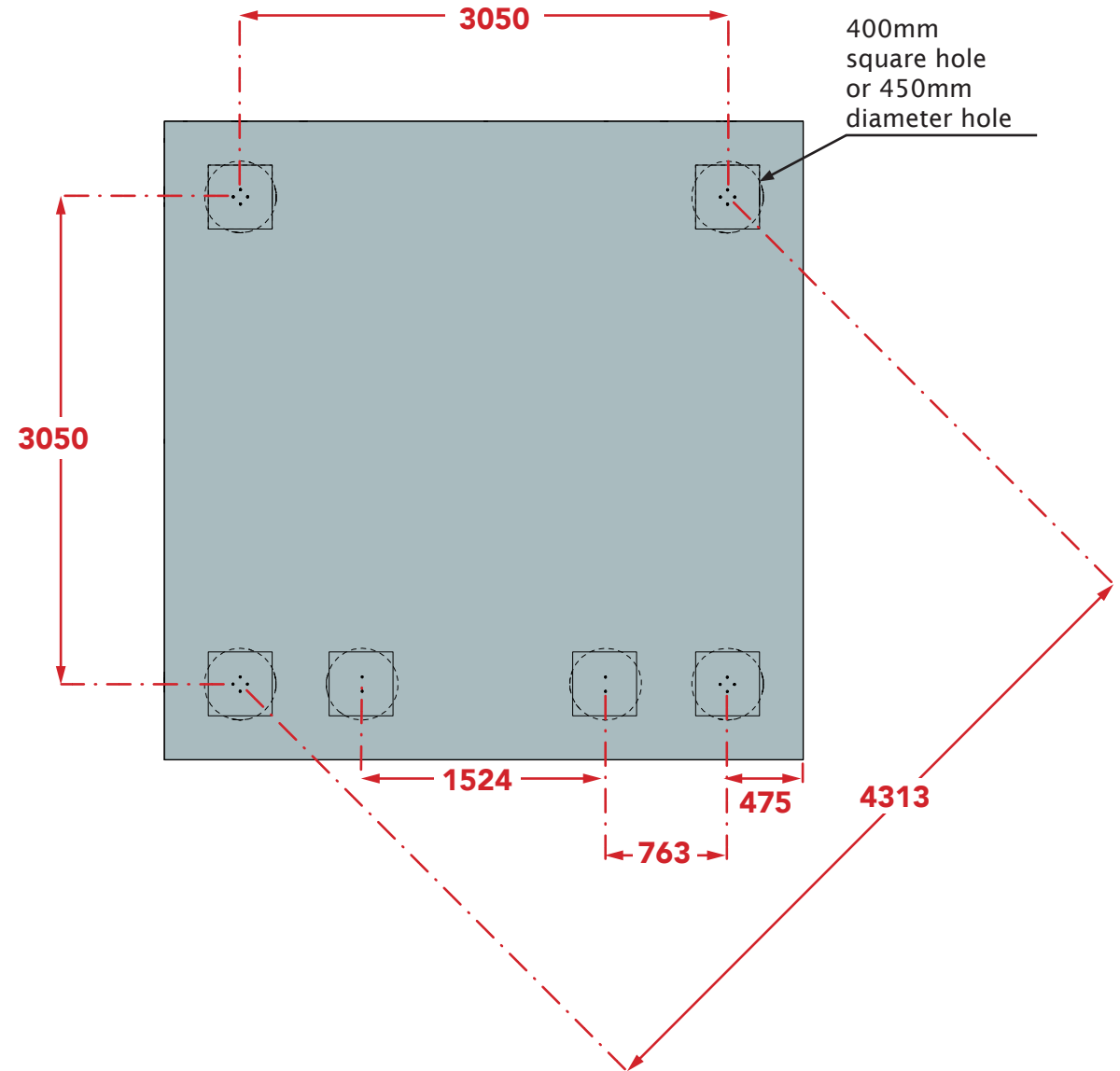
All dimensions are in millimeters
 (mm)

Hole measurements

All measurements from center of hole



Right Angle Bracket Holes
 Measurements from center
 of hole to center of right
 angle bracket holes



Assembly Sequence

'The Darwin'
3m x 3m x 3m Shed
Region C

User Manual

Read in conjunction with
Kwiktech Build Guide and
Kwiktech Tips & Tricks

Designed by

kwiktech.

Engineered by

sbec. SCHMIDT
BENTLEY
ENGINEERING
CONSULTING

Rating: Region C

Rev 3.9

This Manual is the sole property of
Kwiktech Pty Ltd.
All rights are reserved.

This Manual is designed to be only
used with Kwiktech
produced products.

No part of this Manual or the
Kwiktech product design may be
copied or reproduced without the
consent of Kwiktech Pty Ltd.

Construction using Kwiktech
products may require planning
approval. Always contact your Local
Council for the most up-to-date
rules and regulations for your area.

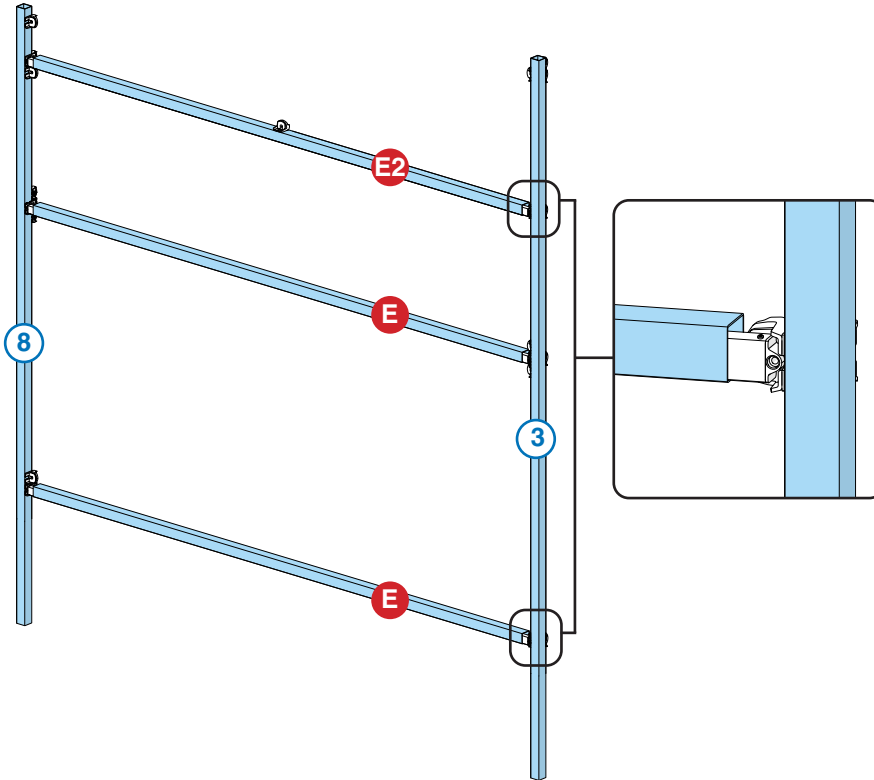
All dimensions are in millimeters
(mm)

www.kwiktech.com.au
© Kwiktech Pty Ltd 2022

Build Left Wall Construct on the ground. (Images show frames upright for clarity)

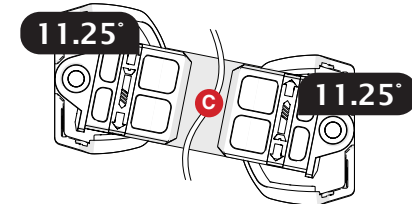
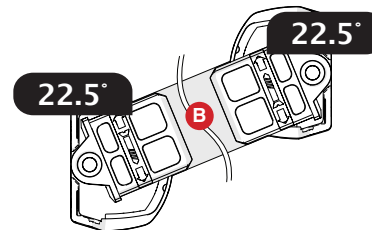
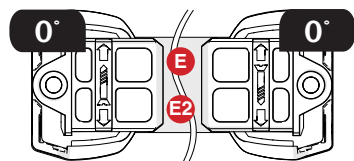
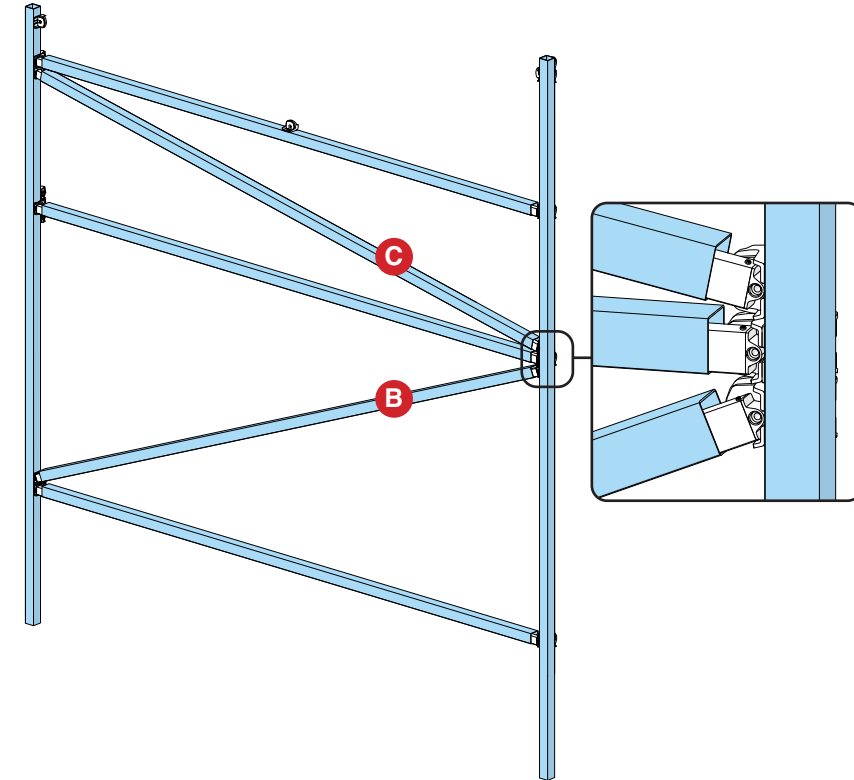
Step 1

Attach 3 rail items below



Step 2

Attach 2 rail items below



Approximate time
required: 0.25 Hours

Assembly Sequence

'The Darwin'
3m x 3m x 3m Shed
Region C

User Manual

Read in conjunction with
Kwiktech Build Guide and
Kwiktech Tips & Tricks

Designed by



Engineered by



Rating: Region C

Rev 3.9

This Manual is the sole property of
Kwiktech Pty Ltd.
All rights are reserved.

This Manual is designed to be only
used with Kwiktech
produced products.

No part of this Manual or the
Kwiktech product design may be
copied or reproduced without the
consent of Kwiktech Pty Ltd.

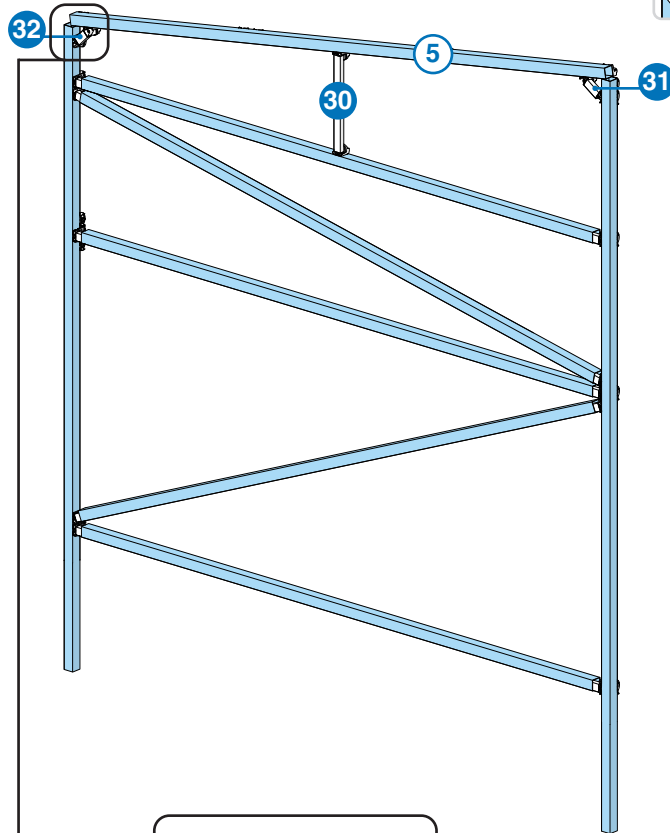
Construction using Kwiktech
products may require planning
approval. Always contact your Local
Council for the most up-to-date
rules and regulations for your area.

All dimensions are in millimeters
(mm)

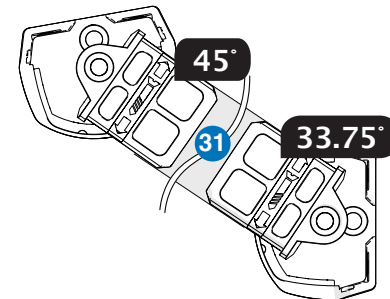
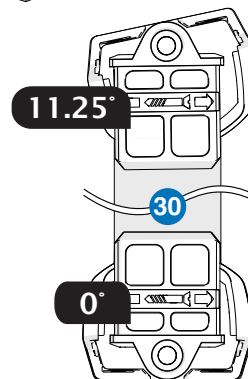
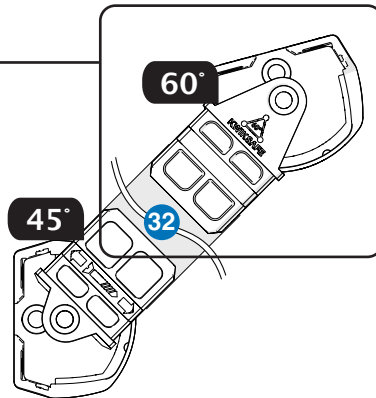
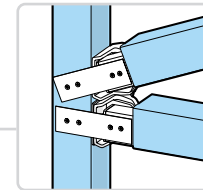
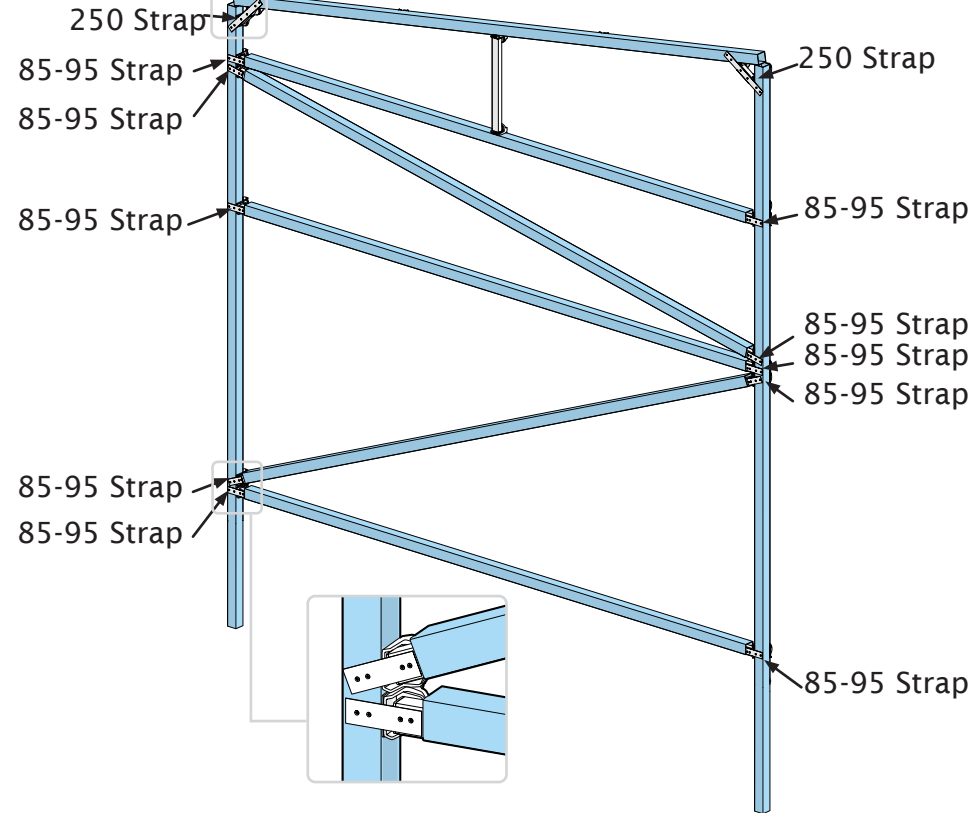
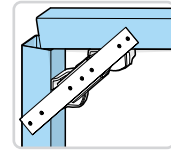
Build Left Wall

Construct on the ground.
(Images show frames upright for clarity)

Step 3
Attach 4 rail items below



Step 4
Fix tension strapping to framing



Approximate time
required: 0.5 Hours

Assembly Sequence

'The Darwin'

3m x 3m x 3m Shed

Region C

User Manual

Read in conjunction with
Kwiktech Build Guide and
Kwiktech Tips & Tricks

Designed by

kwiktech.

Engineered by

sbec. SCHMIDT
BENTLEY
ENGINEERING
CONSULTING

Rating: Region C

Rev 3.9

This Manual is the sole property of
Kwiktech Pty Ltd.
All rights are reserved.

This Manual is designed to be only
used with Kwiktech
produced products.

No part of this Manual or the
Kwiktech product design may be
copied or reproduced without the
consent of Kwiktech Pty Ltd.

Construction using Kwiktech
products may require planning
approval. Always contact your Local
Council for the most up-to-date
rules and regulations for your area.

All dimensions are in millimeters
(mm)

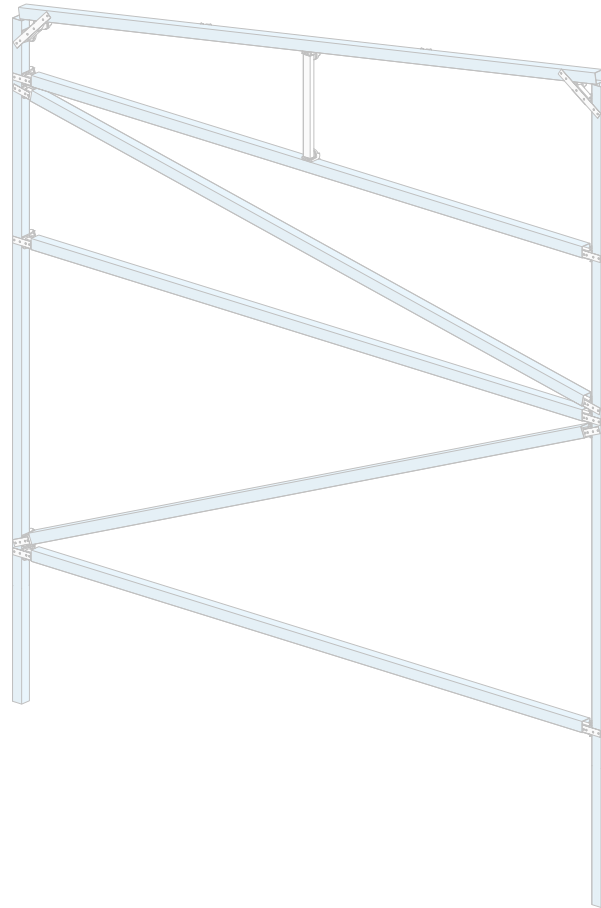
www.kwiktech.com.au
© Kwiktech Pty Ltd 2022

Build Right Wall

Right side assembly steps the
same as the left but mirrored.

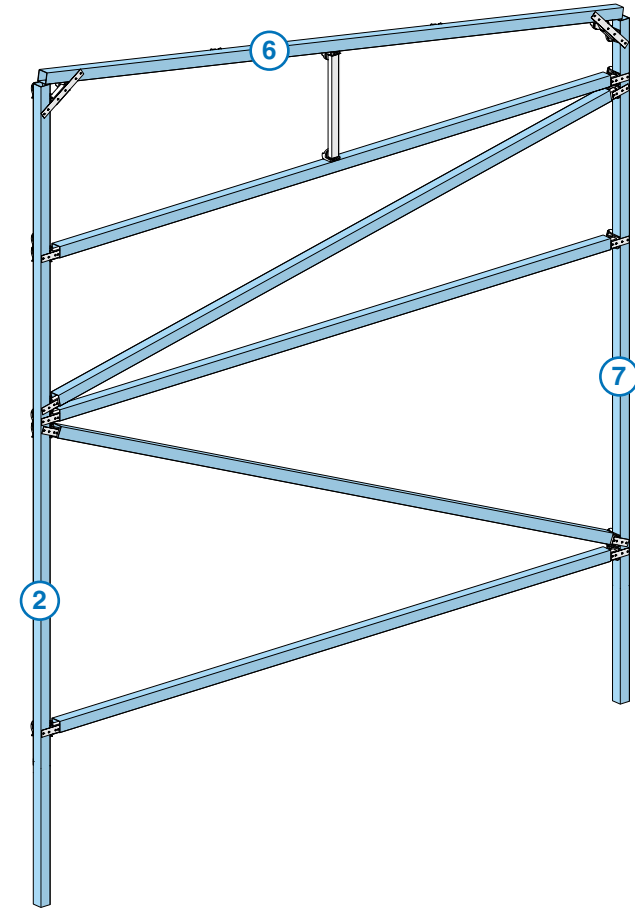
Step 5

Left wall finished



Step 6

Repeat previous steps for right wall



Finished Sides

Assembly Sequence

'The Darwin'
3m x 3m x 3m Shed
Region C

User Manual

Read in conjunction with
Kwiktech Build Guide and
Kwiktech Tips & Tricks

Designed by



Engineered by



Rating: Region C

Rev 3.9

This Manual is the sole property of
Kwiktech Pty Ltd.
All rights are reserved.

This Manual is designed to be only
used with Kwiktech
produced products.

No part of this Manual or the
Kwiktech product design may be
copied or reproduced without the
consent of Kwiktech Pty Ltd.

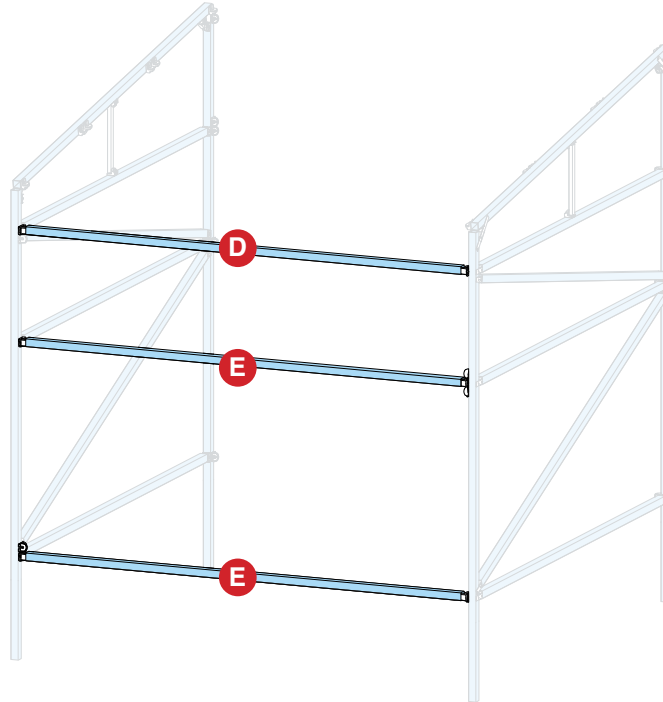
Construction using Kwiktech
products may require planning
approval. Always contact your Local
Council for the most up-to-date
rules and regulations for your area.

All dimensions are in millimeters
(mm)

Fix Walls Together with back members

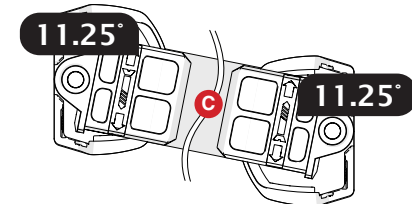
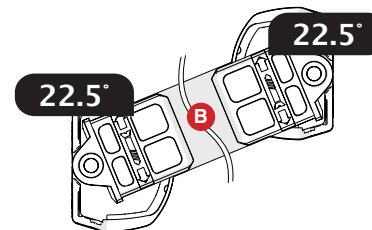
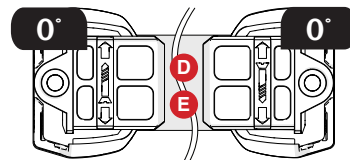
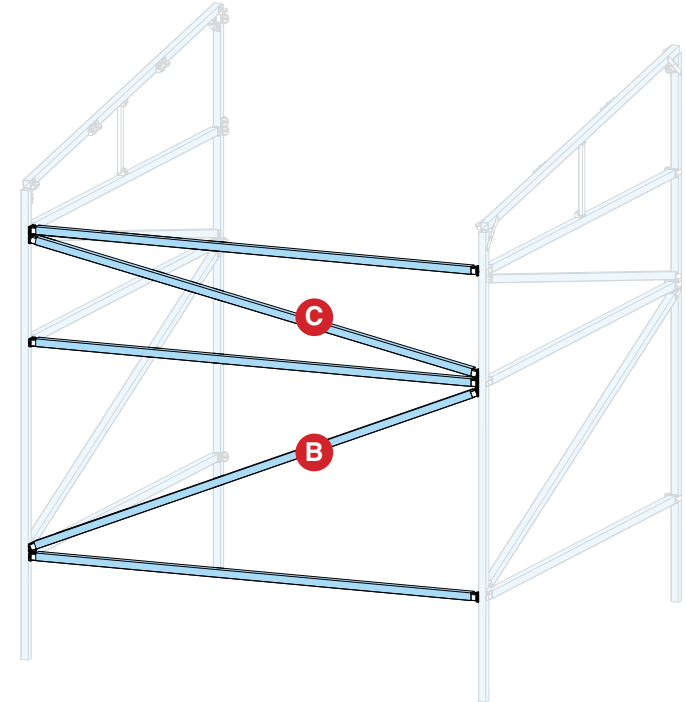
Step 1

Attach 3 rail items below



Step 2

Attach 2 rail items below



Approximate time
required: 0.25 Hours

Assembly Sequence

'The Darwin'

3m x 3m x 3m Shed
Region C

User Manual

Read in conjunction with
Kwiktech Build Guide and
Kwiktech Tips & Tricks

Designed by

kwiktech.

Engineered by

sbec. SCHMIDT
BENTLEY
ENGINEERING
CONSULTING

Rating: Region C

Rev 3.9

This Manual is the sole property of
Kwiktech Pty Ltd.
All rights are reserved.

This Manual is designed to be only
used with Kwiktech
produced products.

No part of this Manual or the
Kwiktech product design may be
copied or reproduced without the
consent of Kwiktech Pty Ltd.

Construction using Kwiktech
products may require planning
approval. Always contact your Local
Council for the most up-to-date
rules and regulations for your area.

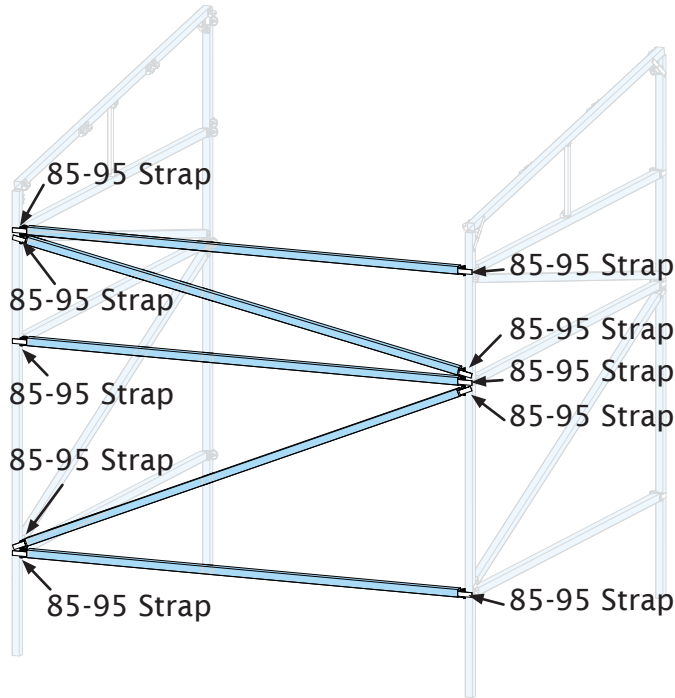
All dimensions are in millimeters
(mm)

www.kwiktech.com.au
© Kwiktech Pty Ltd 2022

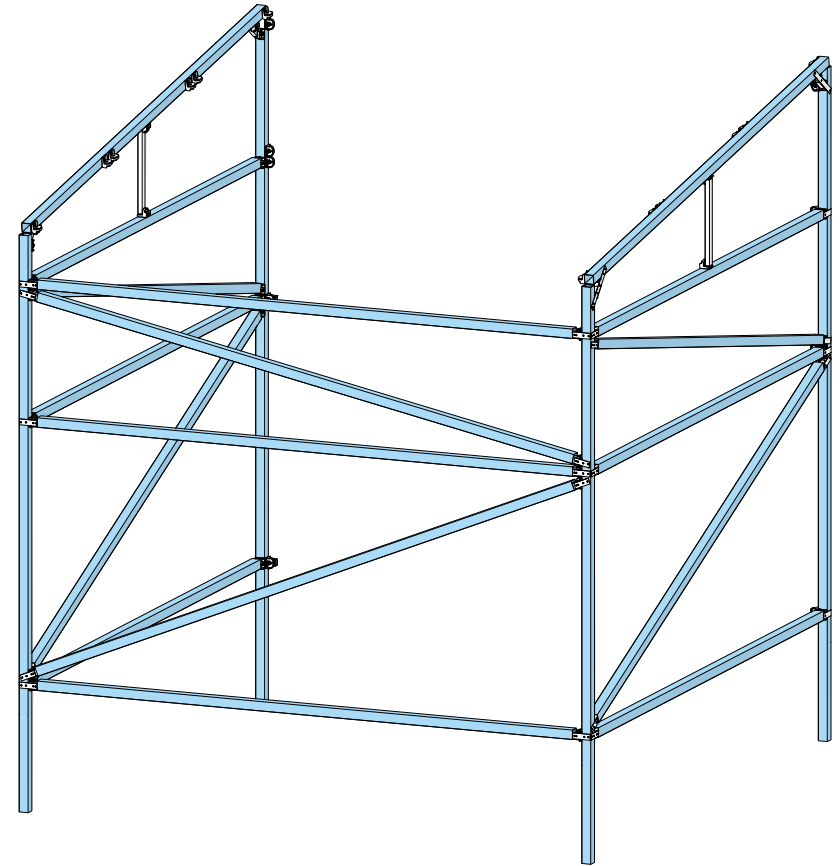
Fix Walls Together

Step 3

Fix tension strapping to framing



Finished Back & Sides



Approximate time
required: 0.5 Hours

Assembly Sequence

'The Darwin'
3m x 3m x 3m Shed
Region C
User Manual

Read in conjunction with
Kwiktech Build Guide and
Kwiktech Tips & Tricks

Designed by

kwiktech.

Engineered by

sbec. SCHMIDT
BENTLEY
ENGINEERING
CONSULTING

Rating: Region C

Rev 3.9

This Manual is the sole property of
Kwiktech Pty Ltd.
All rights are reserved.

This Manual is designed to be only
used with Kwiktech
produced products.

No part of this Manual or the
Kwiktech product design may be
copied or reproduced without the
consent of Kwiktech Pty Ltd.

Construction using Kwiktech
products may require planning
approval. Always contact your Local
Council for the most up-to-date
rules and regulations for your area.

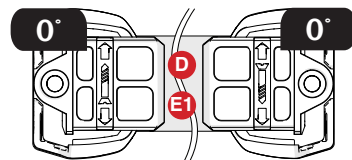
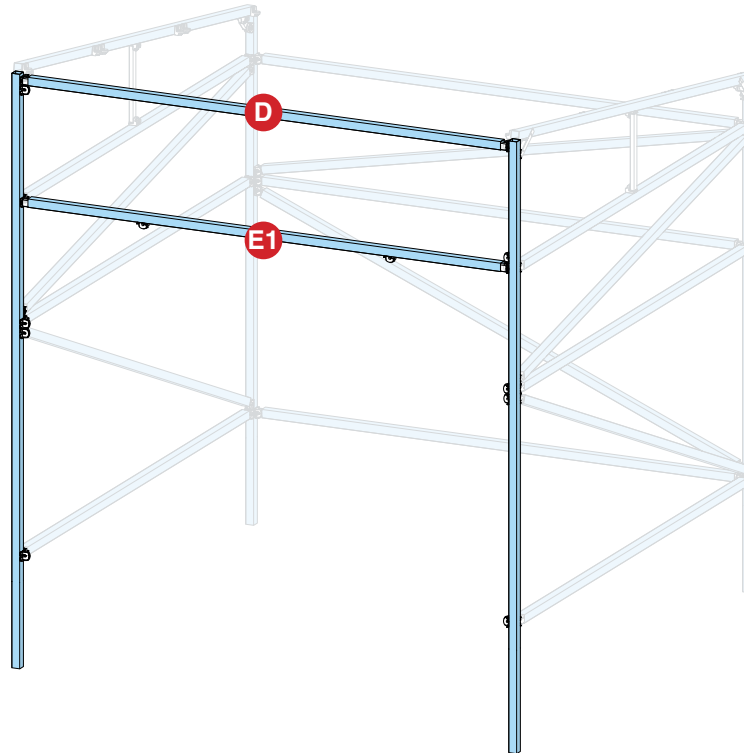
All dimensions are in millimeters
(mm)

www.kwiktech.com.au
© Kwiktech Pty Ltd 2022

Fix together with Front

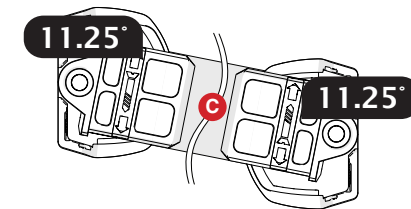
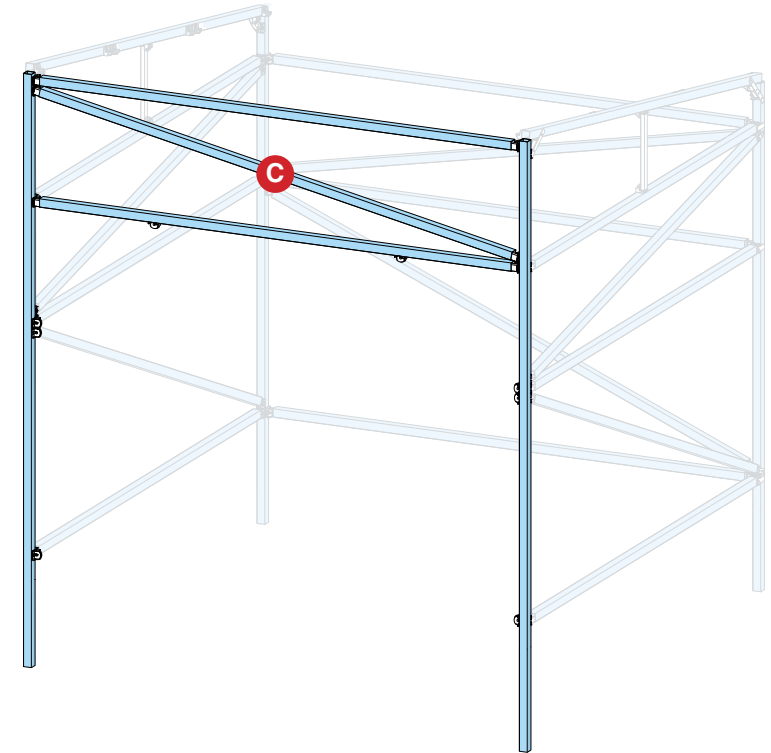
Step 1

Attach 2 rail items below



Step 2

Attach the 1 rail item below



Approximate time
required: 0.25 Hours

Assembly Sequence

'The Darwin'
3m x 3m x 3m Shed
Region C

User Manual

Read in conjunction with
Kwiktech Build Guide and
Kwiktech Tips & Tricks

Designed by



Engineered by



Rating: Region C

Rev 3.9

This Manual is the sole property of
Kwiktech Pty Ltd.
All rights are reserved.

This Manual is designed to be only
used with Kwiktech
produced products.

No part of this Manual or the
Kwiktech product design may be
copied or reproduced without the
consent of Kwiktech Pty Ltd.

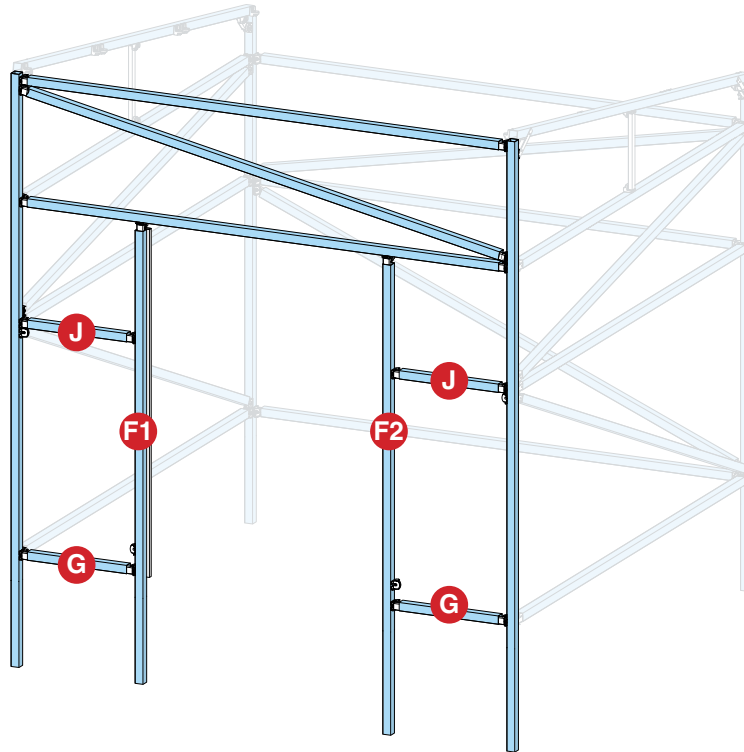
Construction using Kwiktech
products may require planning
approval. Always contact your Local
Council for the most up-to-date
rules and regulations for your area.

All dimensions are in millimeters
(mm)

Fix together with Front

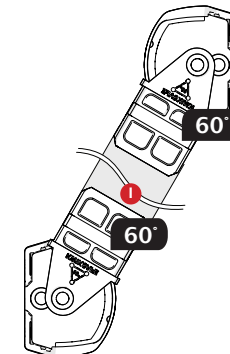
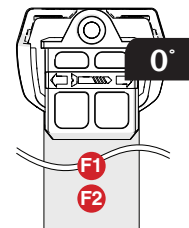
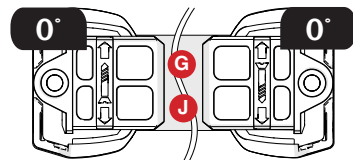
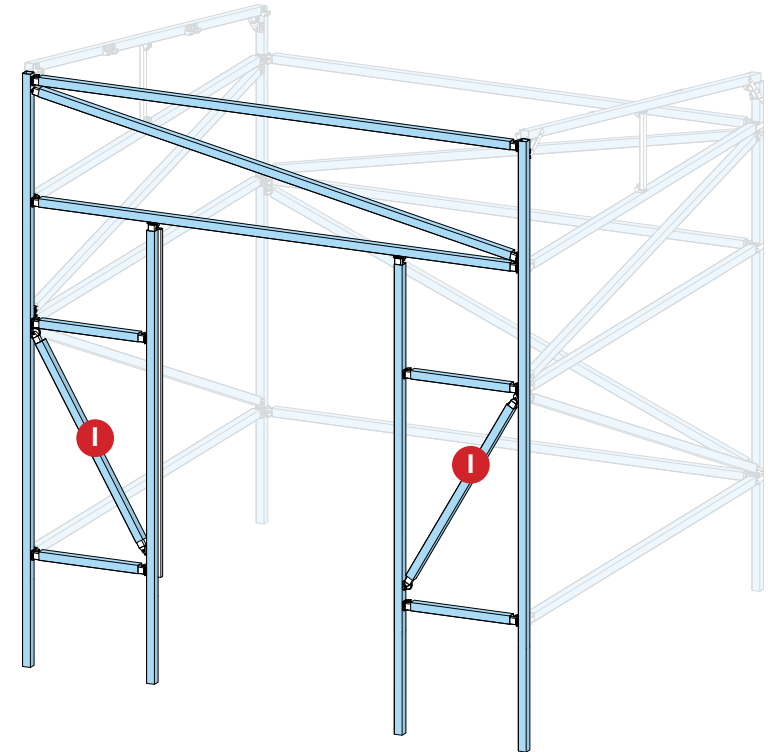
Step 3

Attach 6 rail items below



Step 4

Attach 2 rail items below



Approximate time
required: 0.25 Hours

Assembly Sequence

'The Darwin'
3m x 3m x 3m Shed
Region C

User Manual

Read in conjunction with
Kwiktech Build Guide and
Kwiktech Tips & Tricks

Designed by

kwiktech.

Engineered by

sbec. SCHMIDT
BENTLEY
ENGINEERING
CONSULTING

Rating: Region C

Rev 3.9

This Manual is the sole property of
Kwiktech Pty Ltd.
All rights are reserved.

This Manual is designed to be only
used with Kwiktech
produced products.

No part of this Manual or the
Kwiktech product design may be
copied or reproduced without the
consent of Kwiktech Pty Ltd.

Construction using Kwiktech
products may require planning
approval. Always contact your Local
Council for the most up-to-date
rules and regulations for your area.

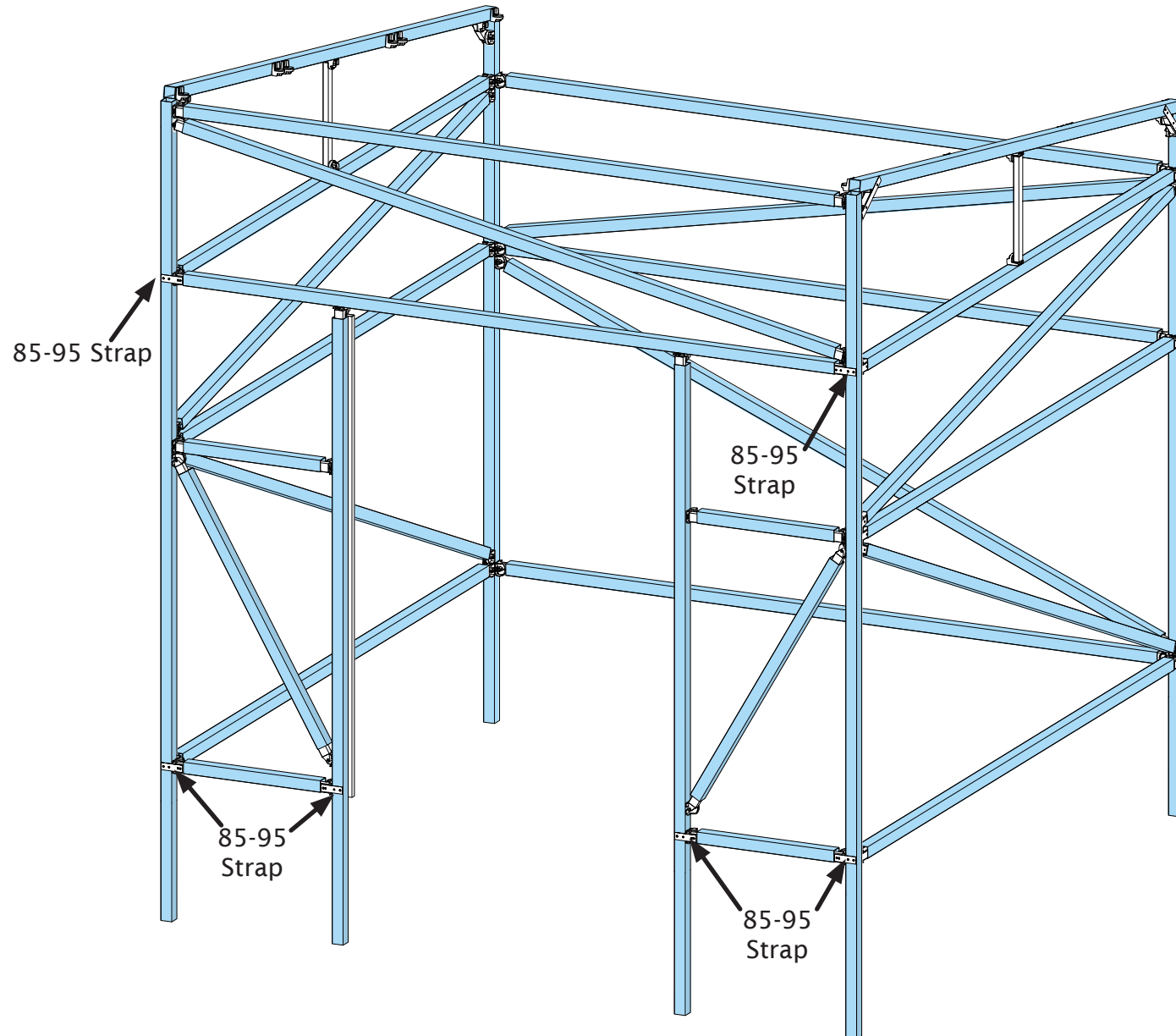
All dimensions are in millimeters
(mm)

www.kwiktech.com.au
© Kwiktech Pty Ltd 2022

Tie square with Front

Step 5

Fix tension strapping into framing



Approximate time
required: 0.5 Hours

Temporary Corner Stiffners

'The Darwin'

3m x 3m x 3m Shed
Region C

User Manual

Read in conjunction with
Kwiktech Build Guide and
Kwiktech Tips & Tricks

Designed by



Engineered by



Rating: Region C

Rev 3.9

This Manual is the sole property of
Kwiktech Pty Ltd.
All rights are reserved.

This Manual is designed to be only
used with Kwiktech
produced products.

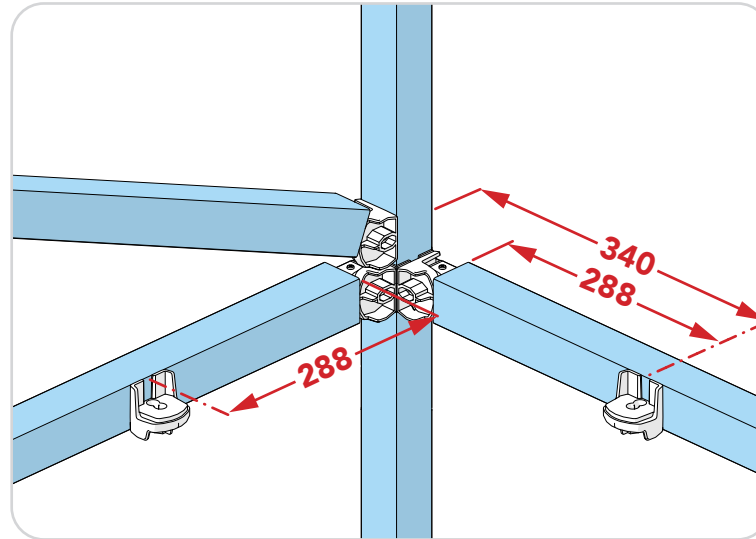
No part of this Manual or the
Kwiktech product design may be
copied or reproduced without the
consent of Kwiktech Pty Ltd.

Construction using Kwiktech
products may require planning
approval. Always contact your Local
Council for the most up-to-date
rules and regulations for your area.

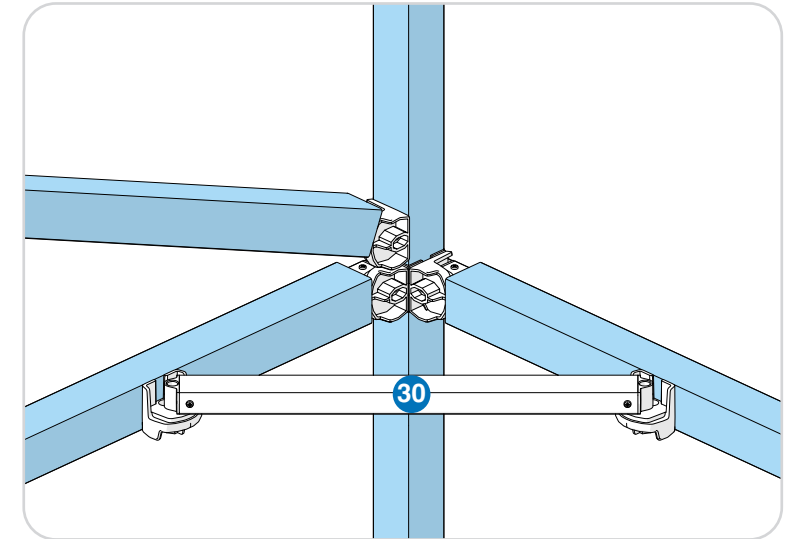
All dimensions are in millimeters
(mm)

www.kwiktech.com.au
© Kwiktech Pty Ltd 2022

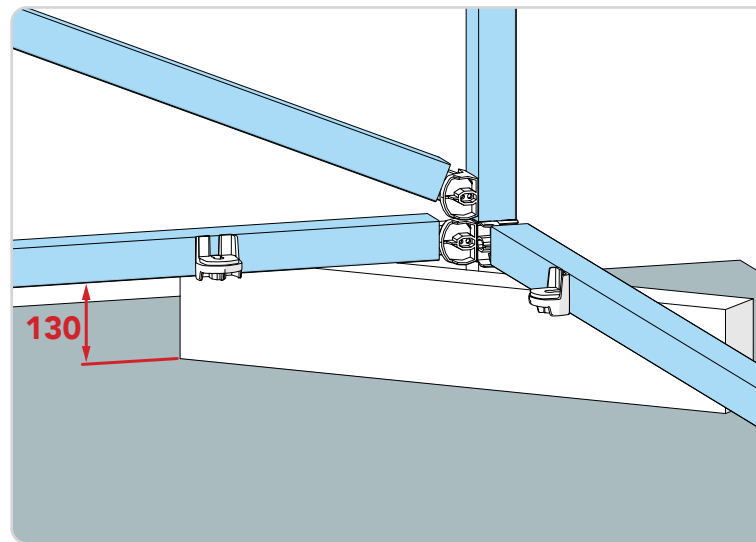
Optional temporary base corner stiffners



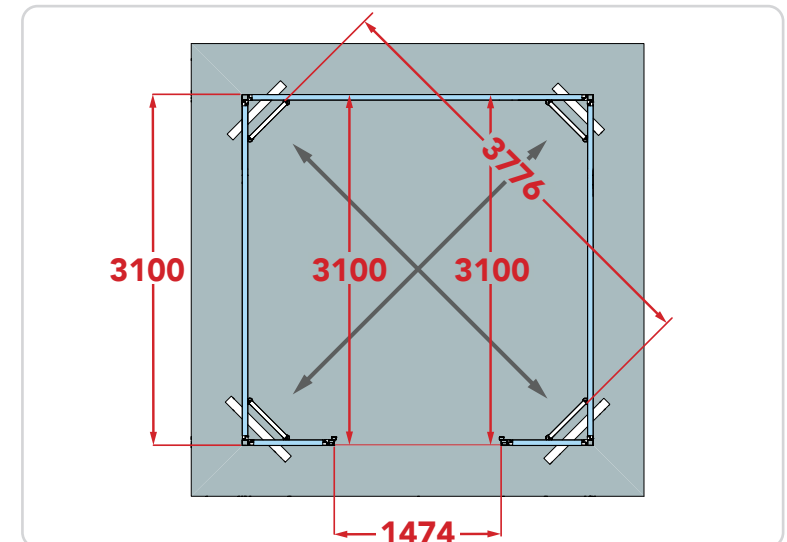
Fix 2 universal connectors in the positions shown in all 4 corners.



Fit item 30 into the corners to tie shed square before ground fixing. Once secured to ground, remove these bases & the universal connectors.



Pack approximately 130mm and shim as required to achieve a level shed. Use a spirit level to check horizontal and vertical members.



Push or pull shed corners as required to assist in fitting the corner bracing. Ensure dimensions match the ones stated above before fixing. Additional supports maybe required before ground fixing.

Approximate time
required: 0.5 Hours

Assembly Sequence

'The Darwin'
3m x 3m x 3m Shed
Region C

User Manual

Read in conjunction with
Kwiktech Build Guide and
Kwiktech Tips & Tricks

Designed by

kwiktech.

Engineered by

sbec. SCHMIDT
BENTLEY
ENGINEERING
CONSULTING

Rating: Region C

Rev 3.9

This Manual is the sole property of
Kwiktech Pty Ltd.
All rights are reserved.

This Manual is designed to be only
used with Kwiktech
produced products.

No part of this Manual or the
Kwiktech product design may be
copied or reproduced without the
consent of Kwiktech Pty Ltd.

Construction using Kwiktech
products may require planning
approval. Always contact your Local
Council for the most up-to-date
rules and regulations for your area.

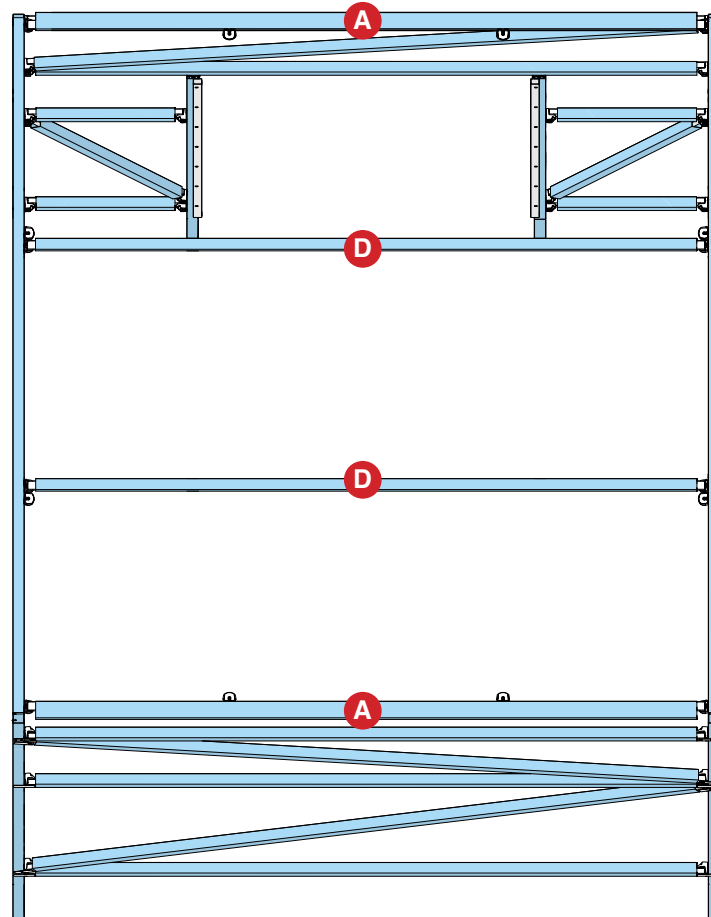
All dimensions are in millimeters
(mm)

www.kwiktech.com.au
© Kwiktech Pty Ltd 2022

Roof members & corner bracing

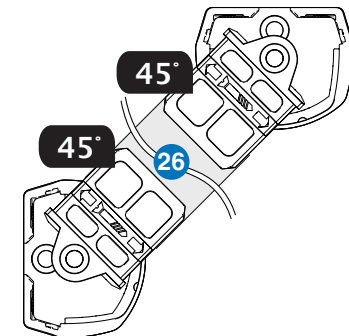
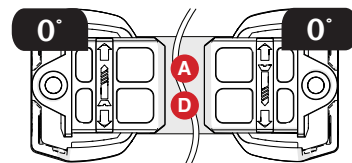
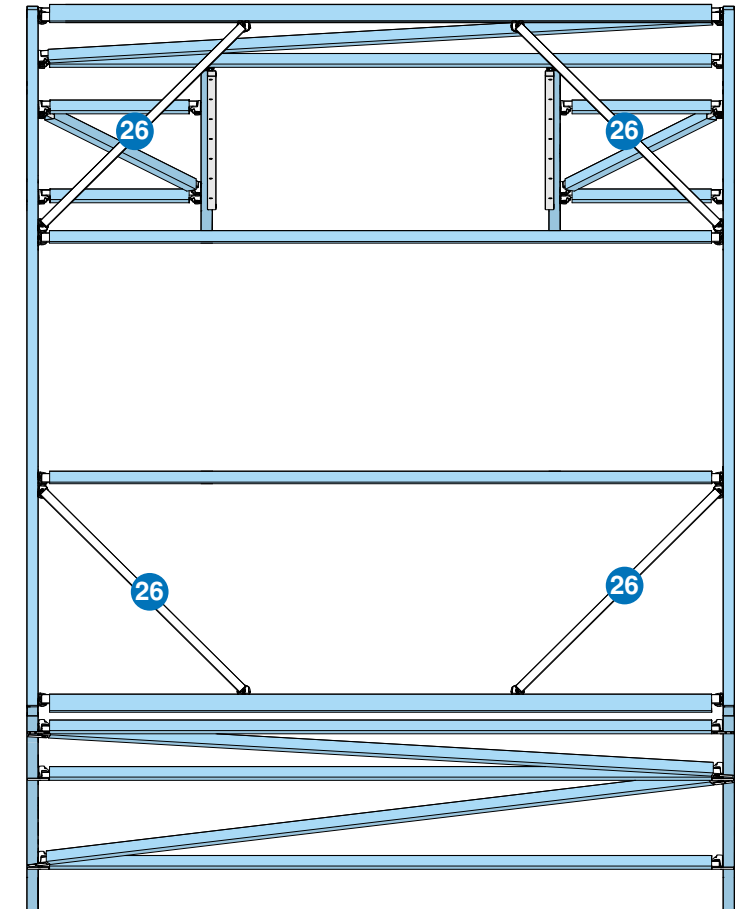
Step 1

Attach 4 rail items below



Step 2

Attach 4 rail items below



Approximate time
required: 0.25 Hours

Flashing Types

'The Darwin'
3m x 3m x 3m Shed
Region C

User Manual

Read in conjunction with
Kwiktech Build Guide and
Kwiktech Tips & Tricks

Designed by



Engineered by



Rating: Region C

Rev 3.9

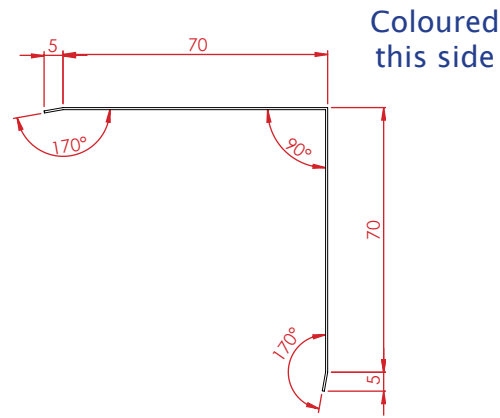
This Manual is the sole property of
Kwiktech Pty Ltd.
All rights are reserved.

This Manual is designed to be only
used with Kwiktech
produced products.

No part of this Manual or the
Kwiktech product design may be
copied or reproduced without the
consent of Kwiktech Pty Ltd.

Construction using Kwiktech
products may require planning
approval. Always contact your Local
Council for the most up-to-date
rules and regulations for your area.

All dimensions are in millimeters
(mm)



FL 1

KT-FLP-01
3310mm
0.42 BMT
QTY: 2

FL 2

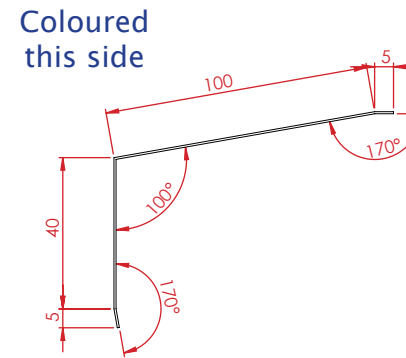
KT-FLP-01
3170mm
0.42 BMT
QTY: 1

FL 3

KT-FLP-01
2450mm
0.42 BMT
QTY: 2

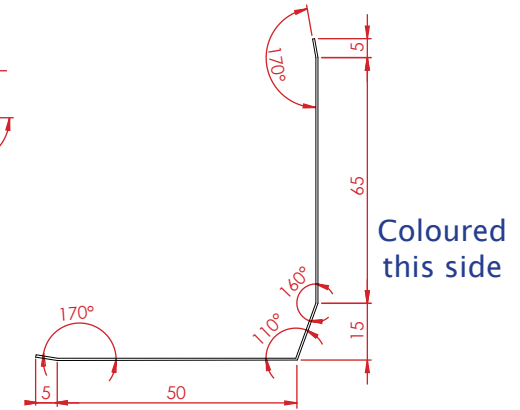
FL 5

KT-FLP-01
1940mm
0.42 BMT
QTY: 2



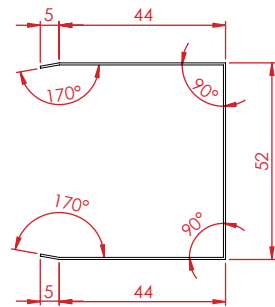
FL 4

KT-FLP-02
3150mm
0.42 BMT
QTY: 1



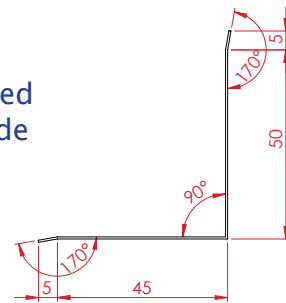
FL 6

KT-FLP-03
2172mm
0.42 BMT
QTY: 2



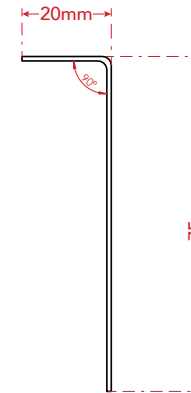
FL 7

KT-FLP-04
2165mm
0.42 BMT
QTY: 2



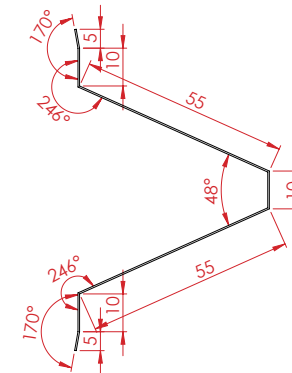
FL 8

KT-FLP-05
1590mm
0.42 BMT
QTY: 1



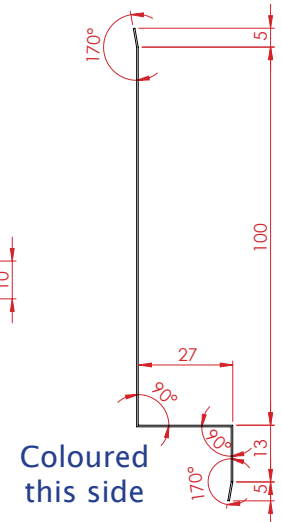
FL 9.1

KT-FLP-10
40mm
1.6 Galv
QTY: 1



FL 9.2

KT-FLP-06
40mm
1.2 Galv
QTY: 1



FL 10

KT-FLP-07
1518mm
0.42 BMT
QTY: 1

Door Assembly

'The Darwin'

3m x 3m x 3m Shed
Region C

User Manual

Read in conjunction with
Kwiktech Build Guide and
Kwiktech Tips & Tricks

Designed by

kwiktech.

Engineered by

sbec. SCHMIDT
BENTLEY
ENGINEERING
CONSULTING

Rating: Region C

Rev 3.9

This Manual is the sole property of
Kwiktech Pty Ltd.
All rights are reserved.

This Manual is designed to be only
used with Kwiktech
produced products.

No part of this Manual or the
Kwiktech product design may be
copied or reproduced without the
consent of Kwiktech Pty Ltd.

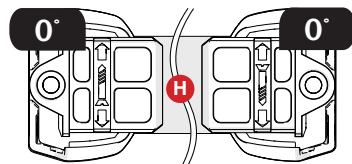
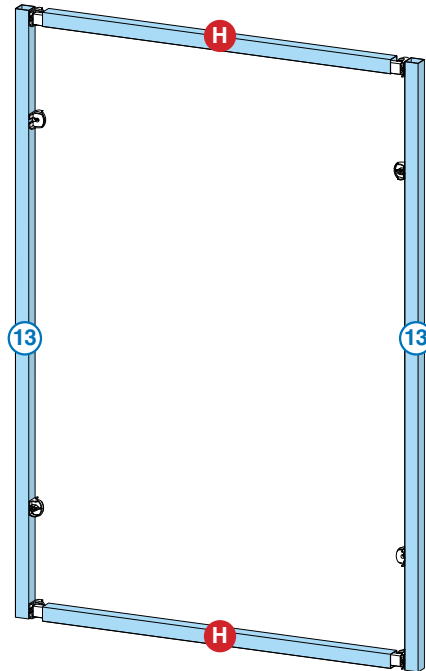
Construction using Kwiktech
products may require planning
approval. Always contact your Local
Council for the most up-to-date
rules and regulations for your area.

All dimensions are in millimeters
(mm)

www.kwiktech.com.au
© Kwiktech Pty Ltd 2022

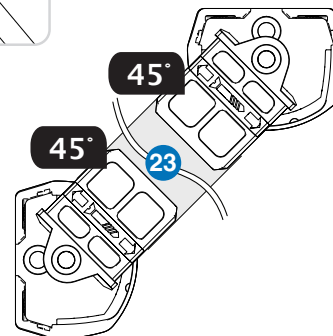
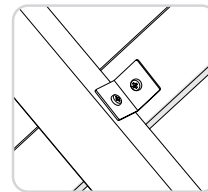
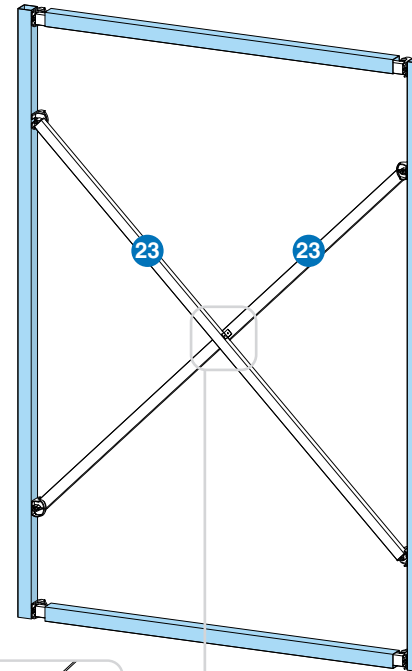
Step 1

Attach 2 rail items below



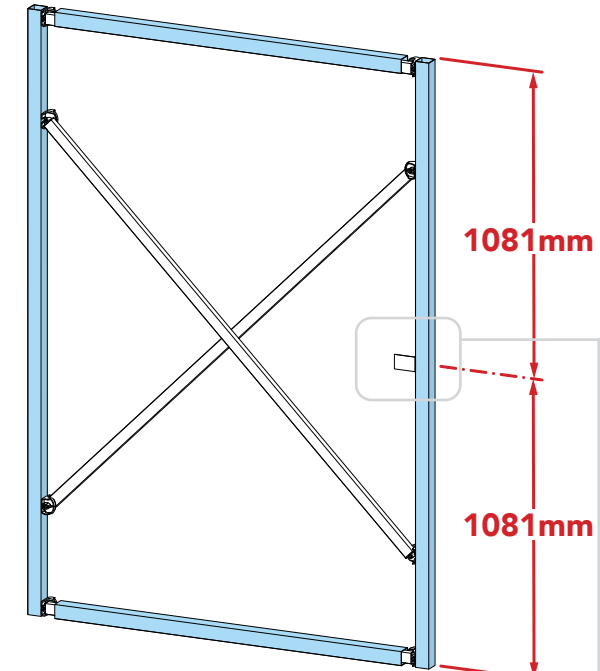
Step 2

Attach 2 rail items below
and fix right angle brackets
at intersection

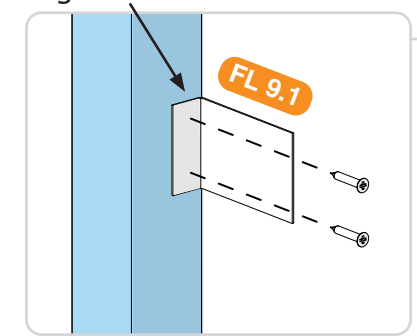


Step 3

Fix handle plate to center of
the post



Front faces flush. Fix with 2 x
wafer head screws. Recommend
pre-drilling and using clamp
when fixing bracket to frame



View from back of door

Approximate time
required: 0.5 Hours

Door Assembly

'The Darwin'

3m x 3m x 3m Shed

Region C

User Manual

Read in conjunction with
Kwiktech Build Guide and
Kwiktech Tips & Tricks

Designed by

kwiktech.

Engineered by

sbec. SCHMIDT
BENTLEY
ENGINEERING
CONSULTING

Rating: Region C

Rev 3.9

This Manual is the sole property of
Kwiktech Pty Ltd.
All rights are reserved.

This Manual is designed to be only
used with Kwiktech
produced products.

No part of this Manual or the
Kwiktech product design may be
copied or reproduced without the
consent of Kwiktech Pty Ltd.

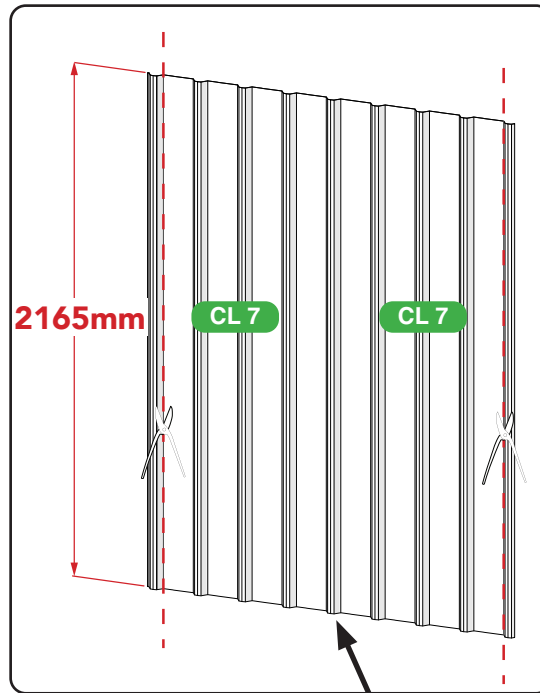
Construction using Kwiktech
products may require planning
approval. Always contact your Local
Council for the most up-to-date
rules and regulations for your area.

All dimensions are in millimeters
(mm)

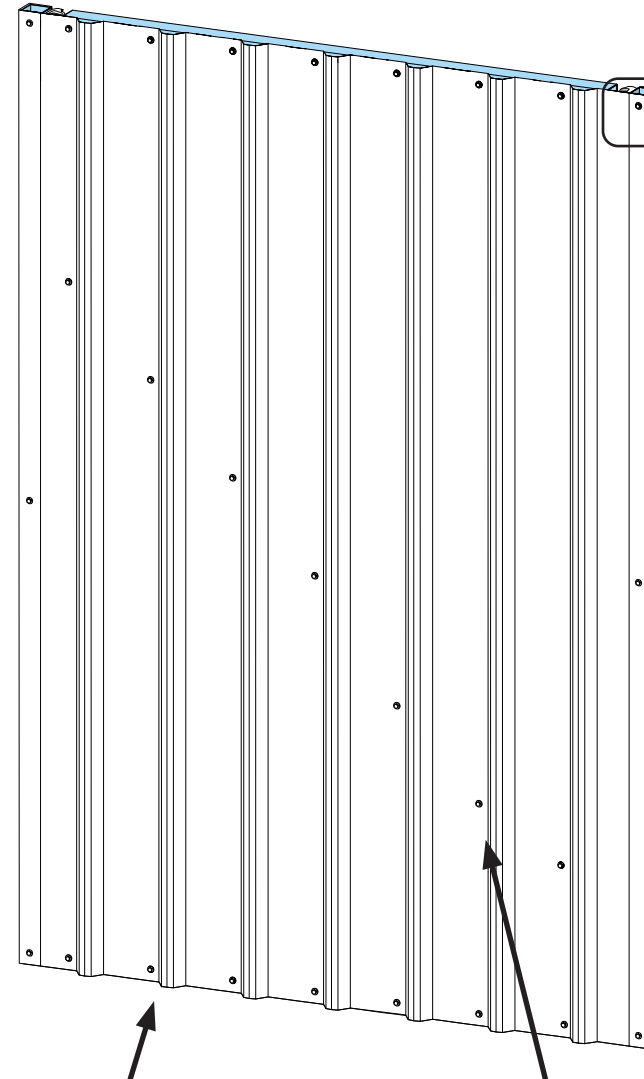
www.kwiktech.com.au
© Kwiktech Pty Ltd 2022

Step 4

Attach cladding & flashings

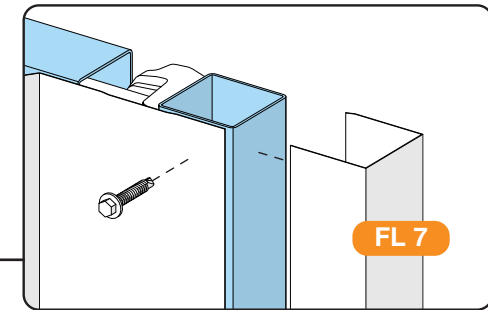


Door cladding to be overlapped in
the middle & the outer peak on both
sides to be trimmed off before fixing
onto the SHS door frame.



Fix cladding to steel
horizontally top & bottom
with 10gx16mm Tek screws
before every peak

Fix cladding to
diagonal brace with
10gx16mm Tek screws
before every peak



Cladding & flashing fixed to
SHS frame vertically via
6 x 10gx16mm Tek screws.

Approximate time
required: 0.5 Hours

Door Assembly

'The Darwin'
3m x 3m x 3m Shed
Region C

User Manual

Read in conjunction with
Kwiktech Build Guide and
Kwiktech Tips & Tricks

Designed by

kwiktech.

Engineered by

sbec. SCHMIDT
BENTLEY
ENGINEERING
CONSULTING

Rating: Region C

Rev 3.9

This Manual is the sole property of
Kwiktech Pty Ltd.
All rights are reserved.

This Manual is designed to be only
used with Kwiktech
produced products.

No part of this Manual or the
Kwiktech product design may be
copied or reproduced without the
consent of Kwiktech Pty Ltd.

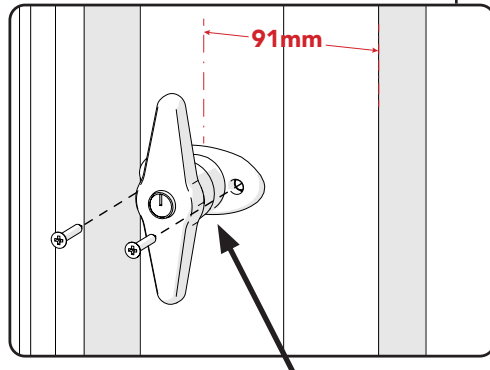
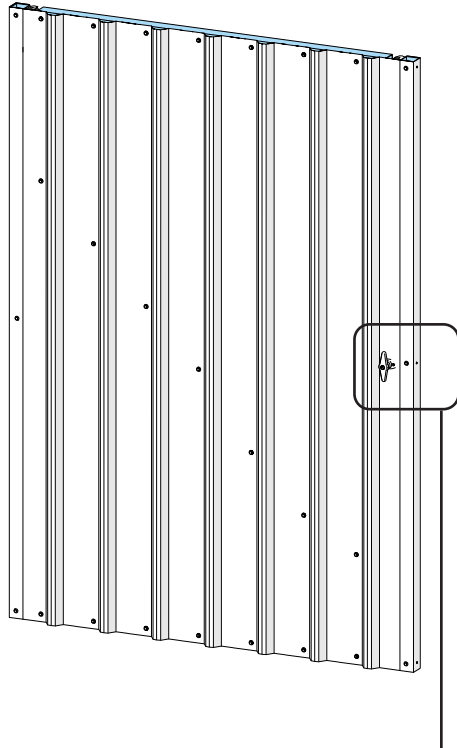
Construction using Kwiktech
products may require planning
approval. Always contact your Local
Council for the most up-to-date
rules and regulations for your area.

All dimensions are in millimeters
(mm)

www.kwiktech.com.au
© Kwiktech Pty Ltd 2022

Step 5

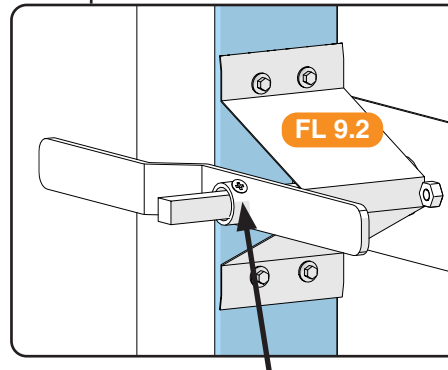
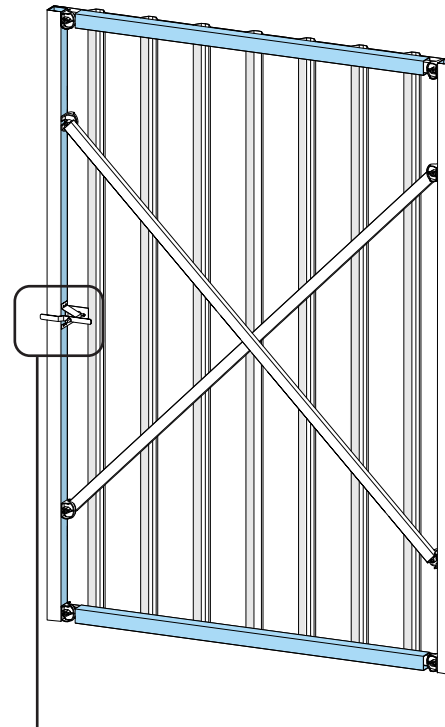
Fix handle through cladding
to plate



Fix as per manufactures
instructions

Step 6

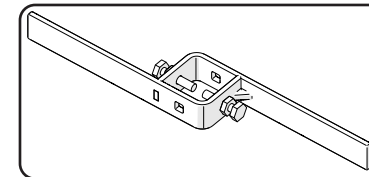
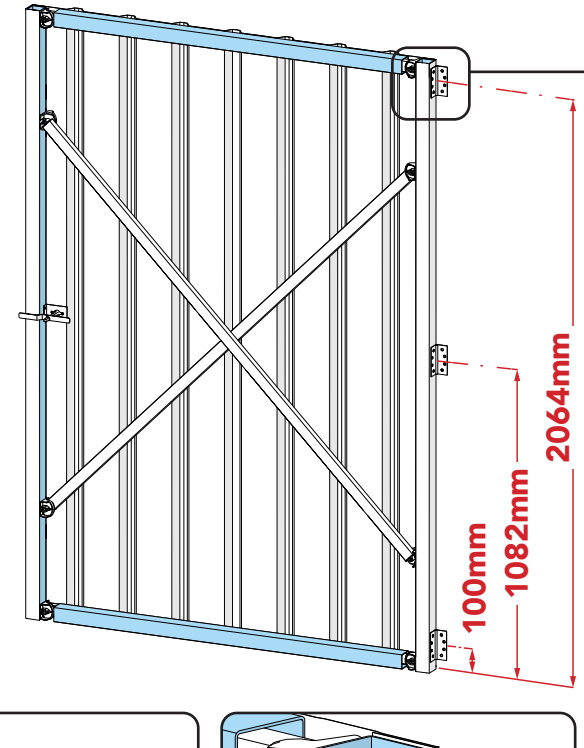
Loosely attach door latch & fit
FL 9.2 in place.



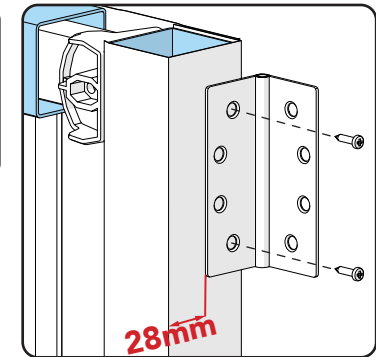
Tighten screw after door is
fitted to frame. Refer to page
38. Fix **FL 9.2** in place with 2
10gx16mm tek screws top &
bottom.

Step 7

Attach hinges to door post



Recommend using a
heavy duty inner lock,
such as the one
pictured above.



Fix hinges in place
with 2 x wafer
head screws

Approximate time
required: 0.75 Hours

Cladding

'The Darwin'
3m x 3m x 3m Shed
Region C

User Manual

Read in conjunction with
Kwiktech Build Guide and
Kwiktech Tips & Tricks

Designed by

kwiktech.

Engineered by

sbec. SCHMIDT
BENTLEY
ENGINEERING
CONSULTING

Rating: Region C

Rev 3.9

This Manual is the sole property of
Kwiktech Pty Ltd.
All rights are reserved.

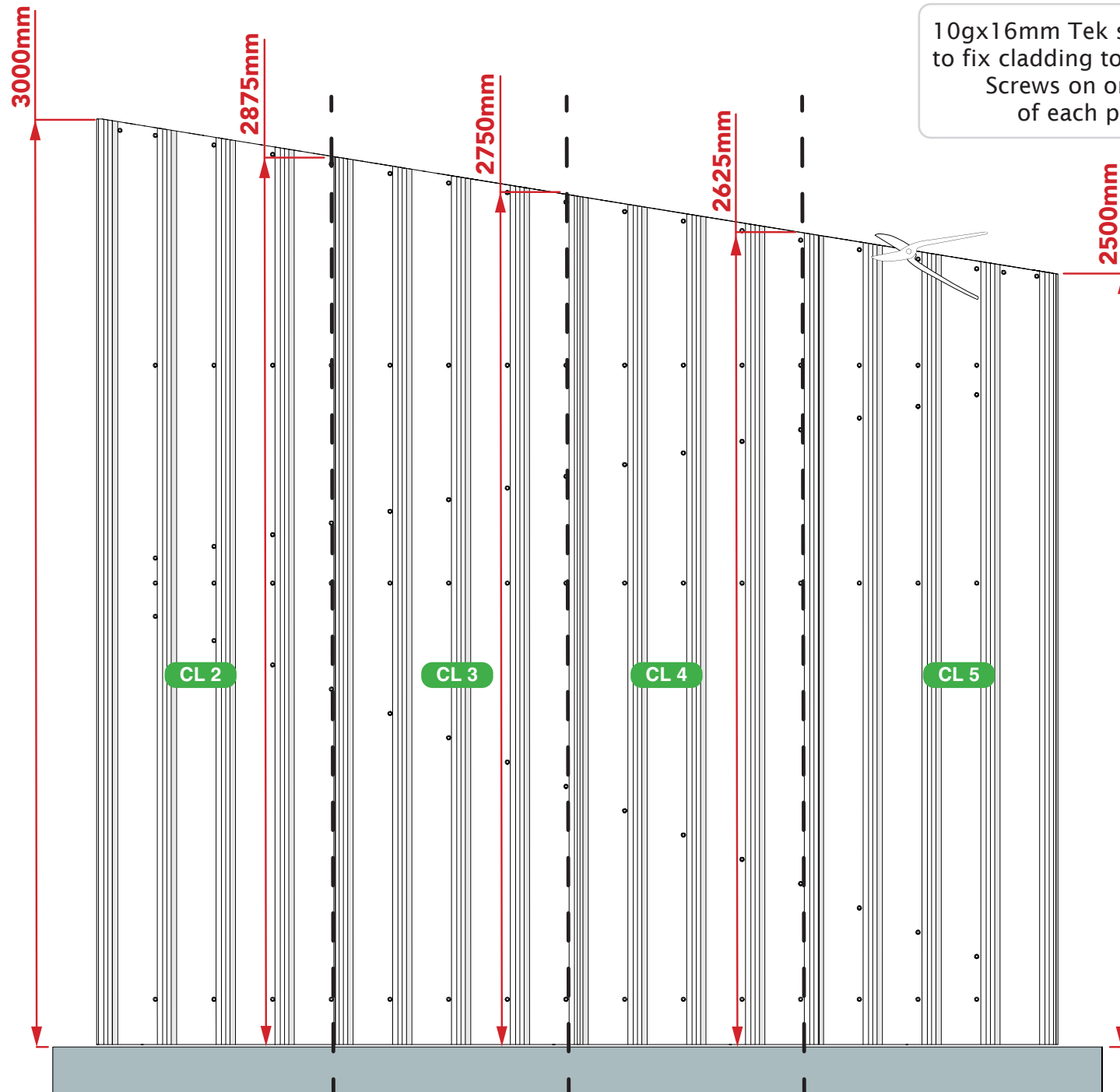
This Manual is designed to be only
used with Kwiktech
produced products.

No part of this Manual or the
Kwiktech product design may be
copied or reproduced without the
consent of Kwiktech Pty Ltd.

Construction using Kwiktech
products may require planning
approval. Always contact your Local
Council for the most up-to-date
rules and regulations for your area.

All dimensions are in millimeters
(mm)

www.kwiktech.com.au
© Kwiktech Pty Ltd 2022



10gx16mm Tek screws used
to fix cladding to SHS frame.
Screws on one side
of each peak.



Under peak
always on the **left**
side of each sheet
when fixing to
framework.



Over peak
always on the **right**
side of each sheet
when fixing to
framework.



Peak Connection

Approximate time
required: 2 Hours

Left & Right Walls
Note: CLD2 - CLD5 need to be trimmed to suit slope of roof

Cladding

'The Darwin'
3m x 3m x 3m Shed
Region C

User Manual

Read in conjunction with
Kwiktech Build Guide and
Kwiktech Tips & Tricks

Designed by

kwiktech.

Engineered by

sbec. SCHMIDT
BENTLEY
ENGINEERING
CONSULTING

Rating: Region C

Rev 3.9

This Manual is the sole property of
Kwiktech Pty Ltd.
All rights are reserved.

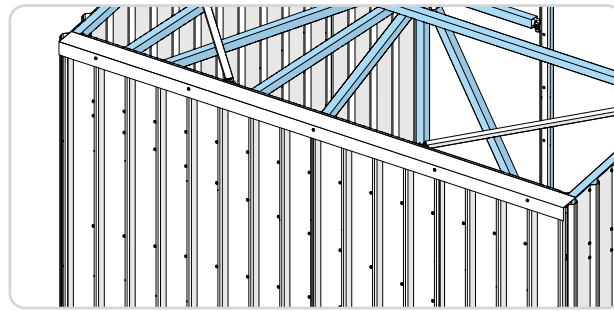
This Manual is designed to be only
used with Kwiktech
produced products.

No part of this Manual or the
Kwiktech product design may be
copied or reproduced without the
consent of Kwiktech Pty Ltd.

Construction using Kwiktech
products may require planning
approval. Always contact your Local
Council for the most up-to-date
rules and regulations for your area.

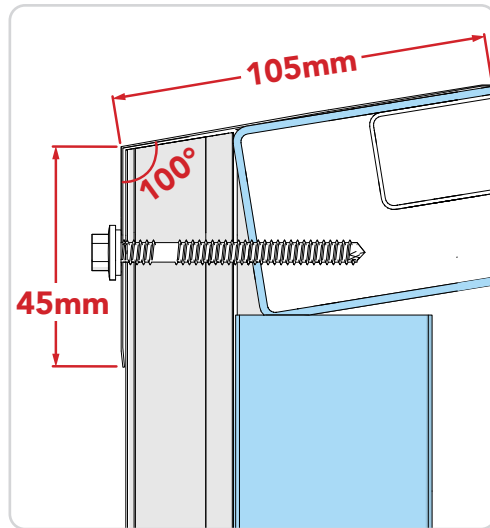
All dimensions are in millimeters
(mm)

www.kwiktech.com.au
© Kwiktech Pty Ltd 2022

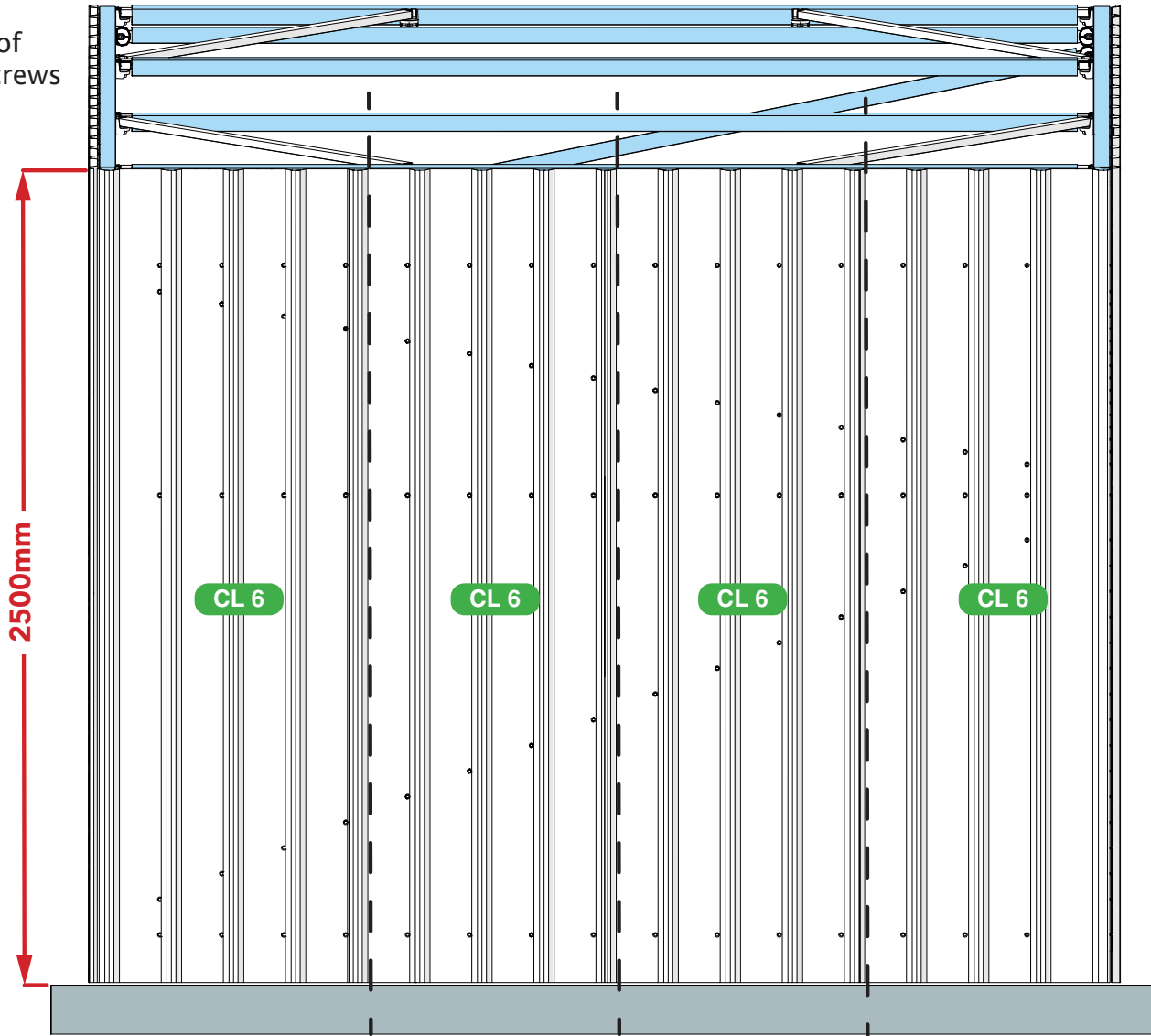


After installing CL6,
install **FL 4** into the peaks of
cladding with 6 x 12gx53mm screws

10gx16mm Tek screws used
to fix cladding to SHS frame.
Screws on one side
of each peak.



Flashing dimensions



Note: Gutter attachments and
Gutter can be added at this point
if desired as an additional option.

Approximate time
required: 1 Hours

Back

Cladding

'The Darwin'
3m x 3m x 3m Shed
Region C

User Manual

Read in conjunction with
Kwiktech Build Guide and
Kwiktech Tips & Tricks

Designed by

kwiktech.

Engineered by

sbec. SCHMIDT
BENTLEY
ENGINEERING
CONSULTING

Rating: Region C

Rev 3.9

This Manual is the sole property of
Kwiktech Pty Ltd.
All rights are reserved.

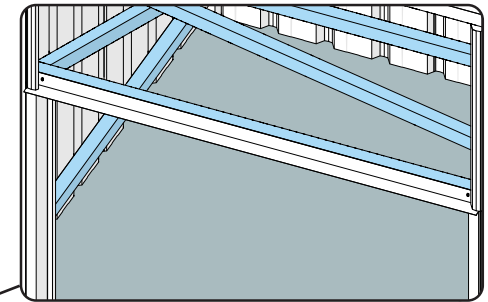
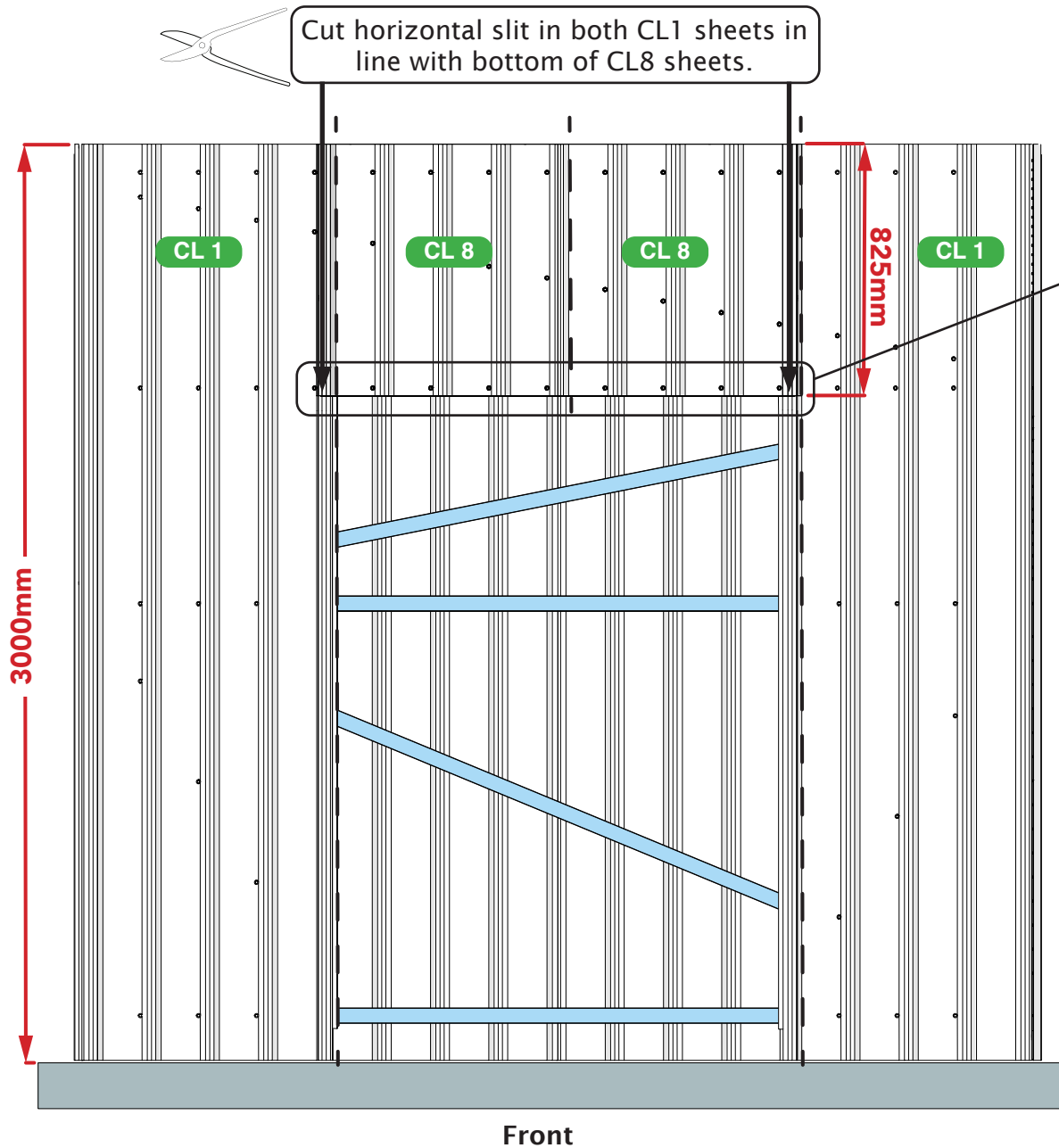
This Manual is designed to be only
used with Kwiktech
produced products.

No part of this Manual or the
Kwiktech product design may be
copied or reproduced without the
consent of Kwiktech Pty Ltd.

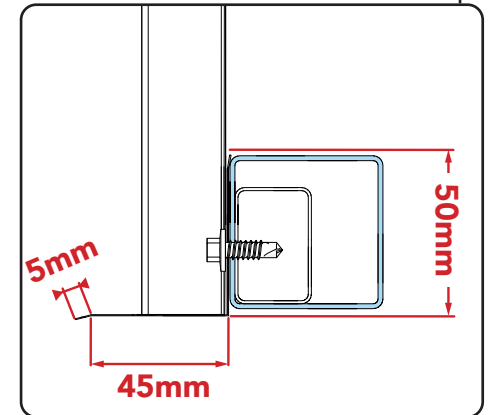
Construction using Kwiktech
products may require planning
approval. Always contact your Local
Council for the most up-to-date
rules and regulations for your area.

All dimensions are in millimeters
(mm)

www.kwiktech.com.au
© Kwiktech Pty Ltd 2022



Before installing CL8,
install **FL 8** with 1 x flat
top screw each end



Flashing dimensions

10gx16mm Tek screws used
to fix cladding to SHS frame.
Screws on one side
of each peak.

Approximate time
required: 1 Hour

Cladding

'The Darwin'
3m x 3m x 3m Shed
Region C

User Manual

Read in conjunction with
Kwiktech Build Guide and
Kwiktech Tips & Tricks

Designed by

kwiktech.

Engineered by

sbec. SCHMIDT
BENTLEY
ENGINEERING
CONSULTING

Rating: Region C

Rev 3.9

This Manual is the sole property of
Kwiktech Pty Ltd.
All rights are reserved.

This Manual is designed to be only
used with Kwiktech
produced products.

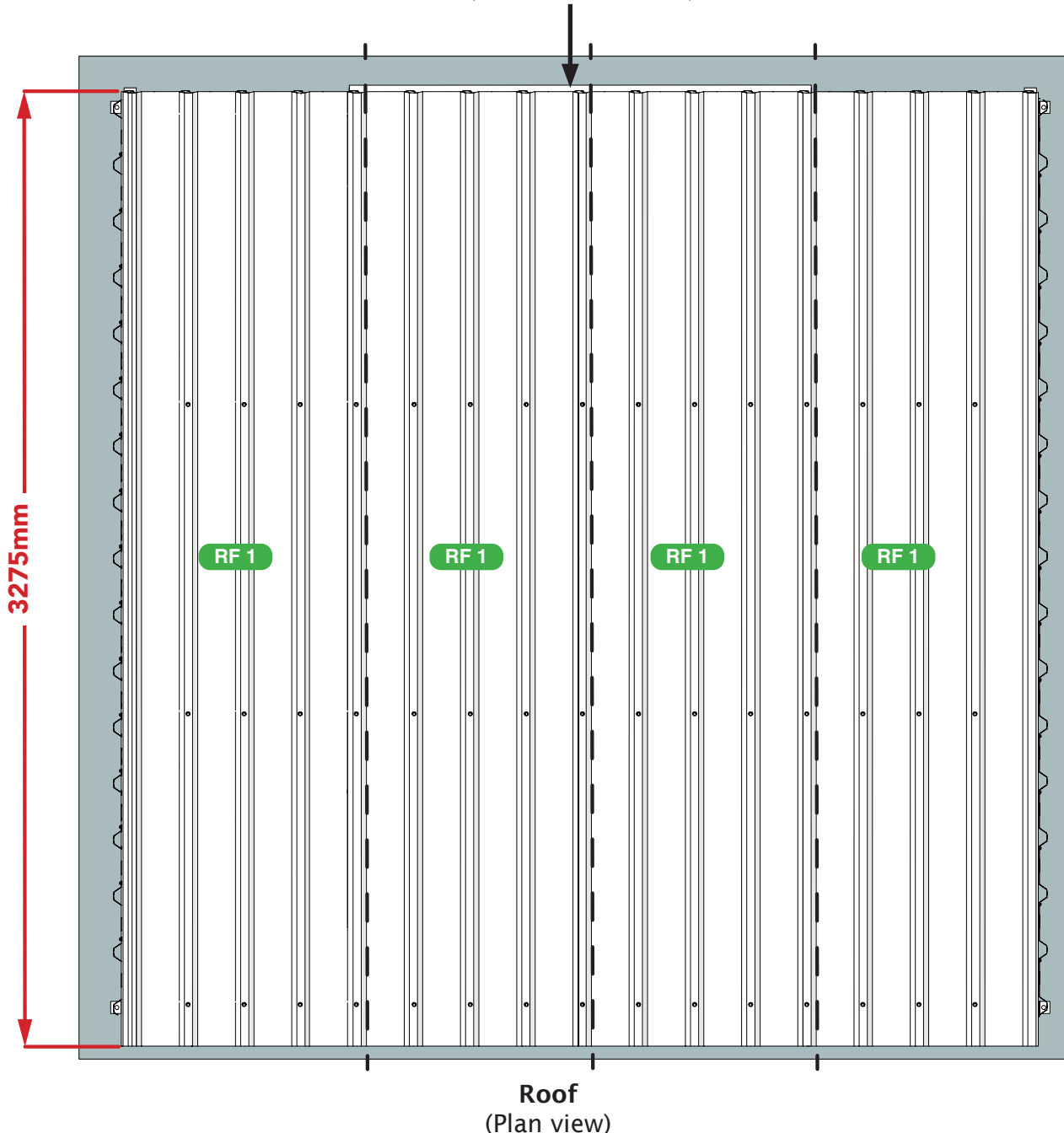
No part of this Manual or the
Kwiktech product design may be
copied or reproduced without the
consent of Kwiktech Pty Ltd.

Construction using Kwiktech
products may require planning
approval. Always contact your Local
Council for the most up-to-date
rules and regulations for your area.

All dimensions are in millimeters
(mm)

www.kwiktech.com.au
© Kwiktech Pty Ltd 2022

Front (Door side of shed)



12gx53mm tek screws
used to fix cladding
to SHS frame. Screw
through the peaks.

Approximate time
required: 1 Hour

Internal Above Door Flashing

'The Darwin'

3m x 3m x 3m Shed

Region C

User Manual

Read in conjunction with
Kwiktech Build Guide and
Kwiktech Tips & Tricks

Designed by

kwiktech.

Engineered by

sbec. SCHMIDT
BENTLEY
ENGINEERING
CONSULTING

Rating: Region C

Rev 3.9

This Manual is the sole property of
Kwiktech Pty Ltd.
All rights are reserved.

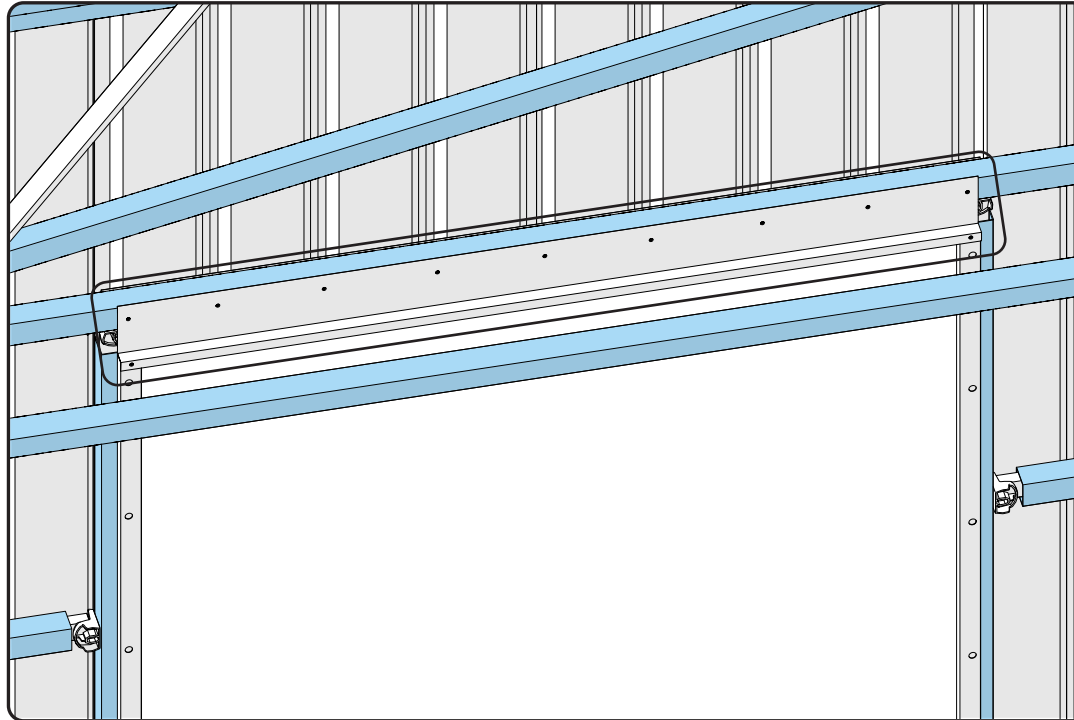
This Manual is designed to be only
used with Kwiktech
produced products.

No part of this Manual or the
Kwiktech product design may be
copied or reproduced without the
consent of Kwiktech Pty Ltd.

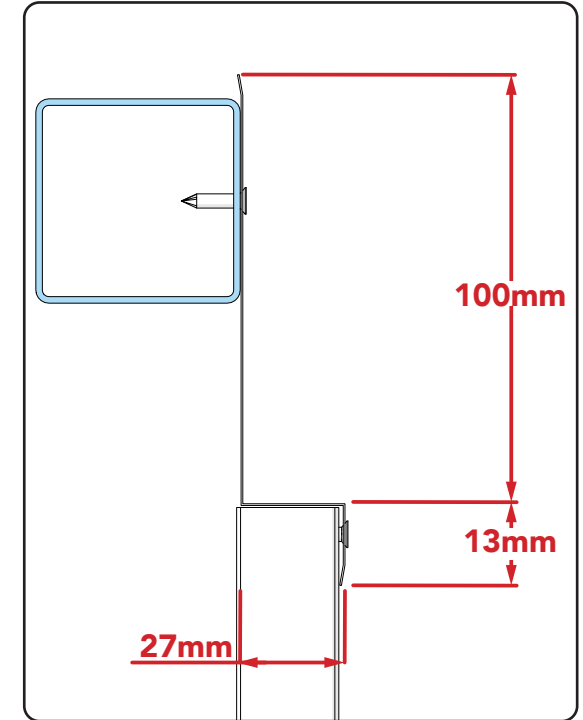
Construction using Kwiktech
products may require planning
approval. Always contact your Local
Council for the most up-to-date
rules and regulations for your area.

All dimensions are in millimeters
(mm)

www.kwiktech.com.au
© Kwiktech Pty Ltd 2022



9 x 10gx16mm Self-Drilling flat top screws used to fix **FL 10** to SHS frame. Screws inline with center of each peak. Ends of **FL 10** to be flush with outer face of door stoppers. Then fix to the door stoppers with 1 Self-Drilling flat top screw each end.



Flashing dimensions

Approximate time
required: 0.25 Hours

Cladding

'The Darwin'
3m x 3m x 3m Shed
Region C

User Manual

Read in conjunction with
Kwiktech Build Guide and
Kwiktech Tips & Tricks

Designed by

kwiktech.

Engineered by

sbec. SCHMIDT
BENTLEY
ENGINEERING
CONSULTING

Rating: Region C

Rev 3.9

This Manual is the sole property of
Kwiktech Pty Ltd.
All rights are reserved.

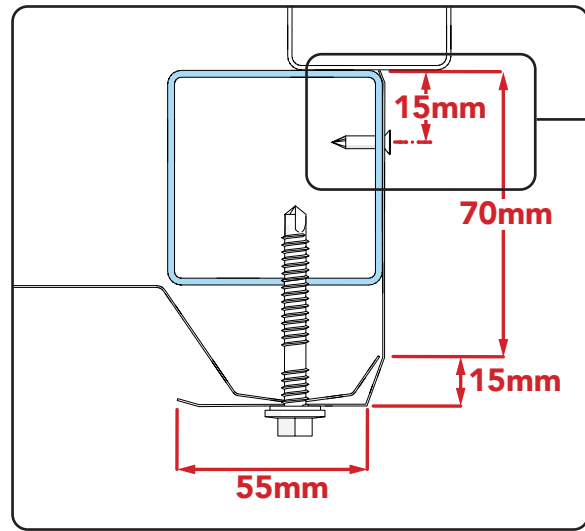
This Manual is designed to be only
used with Kwiktech
produced products.

No part of this Manual or the
Kwiktech product design may be
copied or reproduced without the
consent of Kwiktech Pty Ltd.

Construction using Kwiktech
products may require planning
approval. Always contact your Local
Council for the most up-to-date
rules and regulations for your area.

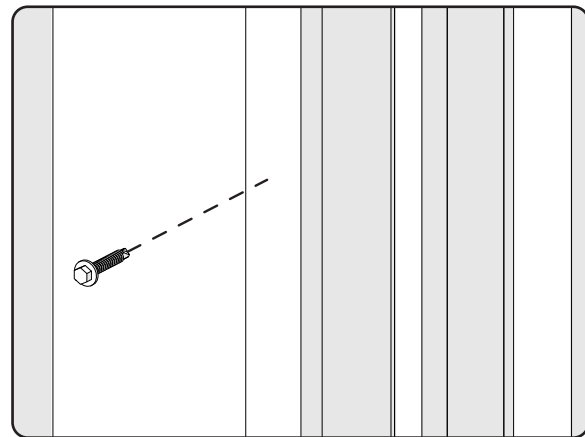
All dimensions are in millimeters
(mm)

www.kwiktech.com.au
© Kwiktech Pty Ltd 2022

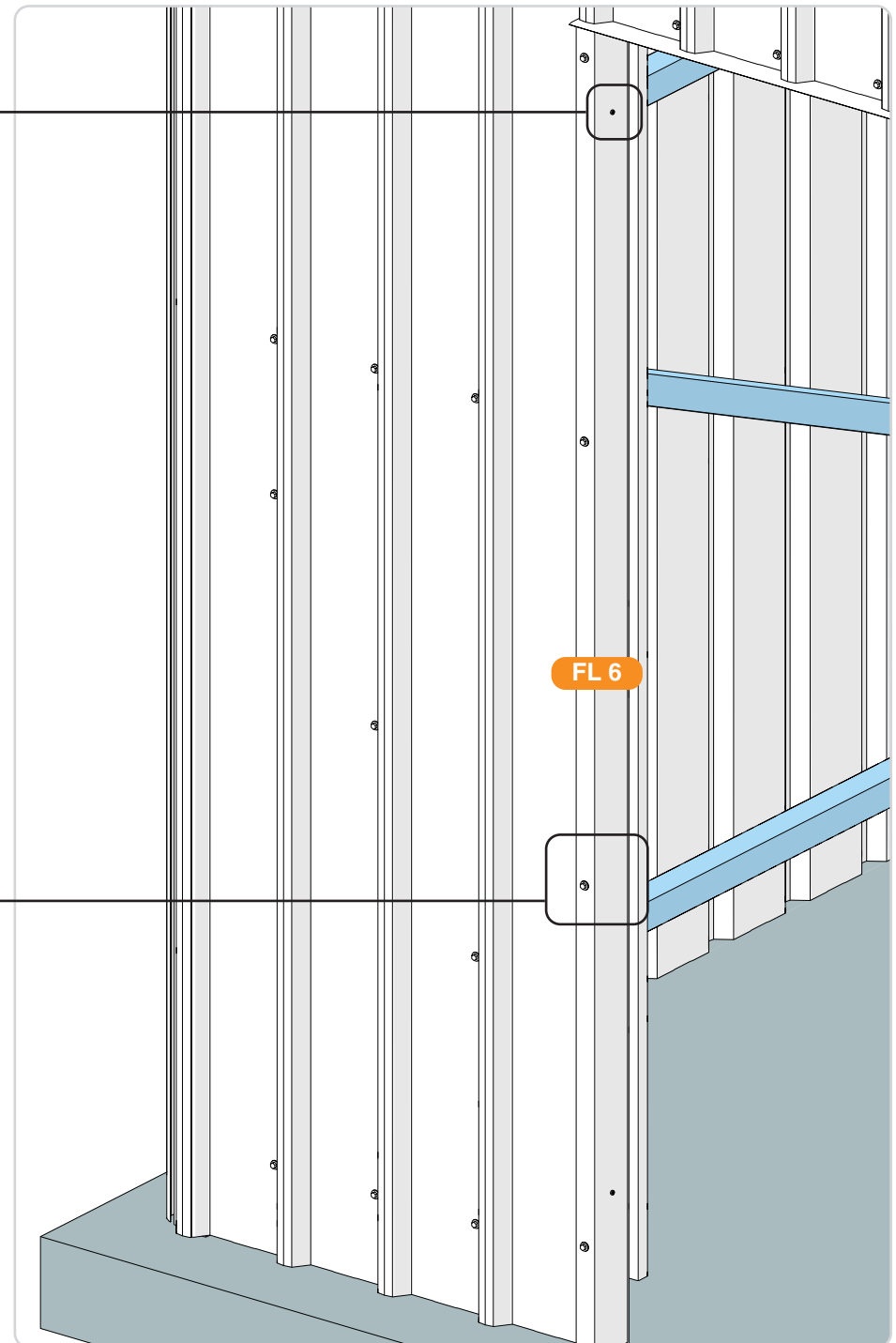


Flashing dimensions

Fix flat top screws into side of flashing
first. 300mm from both ends to miss
the hinges.



12x53mm tek screws used to
fix flashing & cladding to SHS frame.
**Fix only after Door & Hinges have
been fixed.** Flashing installed both
sides of the door frame.



Approximate time
required: 0.25 Hours

Door Install

'The Darwin'
3m x 3m x 3m Shed
Region C
User Manual

Read in conjunction with
Kwiktech Build Guide and
Kwiktech Tips & Tricks

Designed by

kwiktech.

Engineered by

sbec. SCHMIDT
BENTLEY
ENGINEERING
CONSULTING

Rating: Region C

Rev 3.9

This Manual is the sole property of
Kwiktech Pty Ltd.
All rights are reserved.

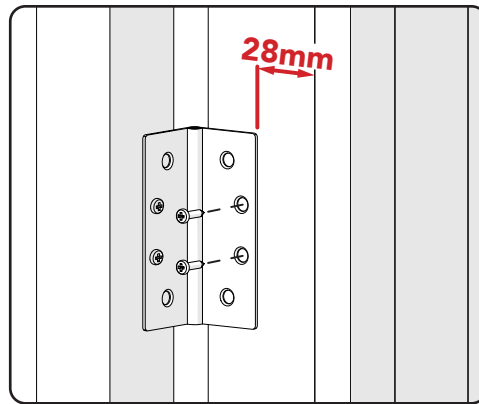
This Manual is designed to be only
used with Kwiktech
produced products.

No part of this Manual or the
Kwiktech product design may be
copied or reproduced without the
consent of Kwiktech Pty Ltd.

Construction using Kwiktech
products may require planning
approval. Always contact your Local
Council for the most up-to-date
rules and regulations for your area.

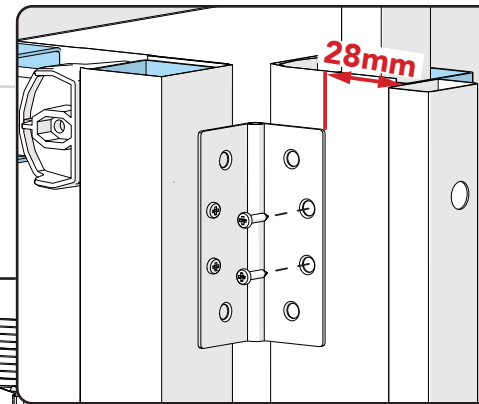
All dimensions are in millimeters
(mm)

www.kwiktech.com.au
© Kwiktech Pty Ltd 2022

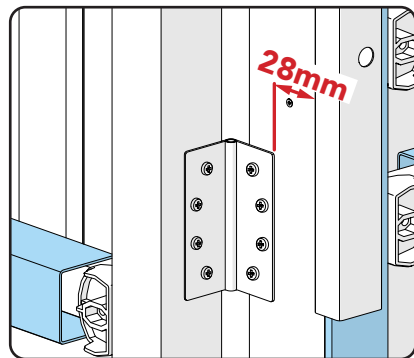


Fix to left door frame post via 2
wafer head screws.

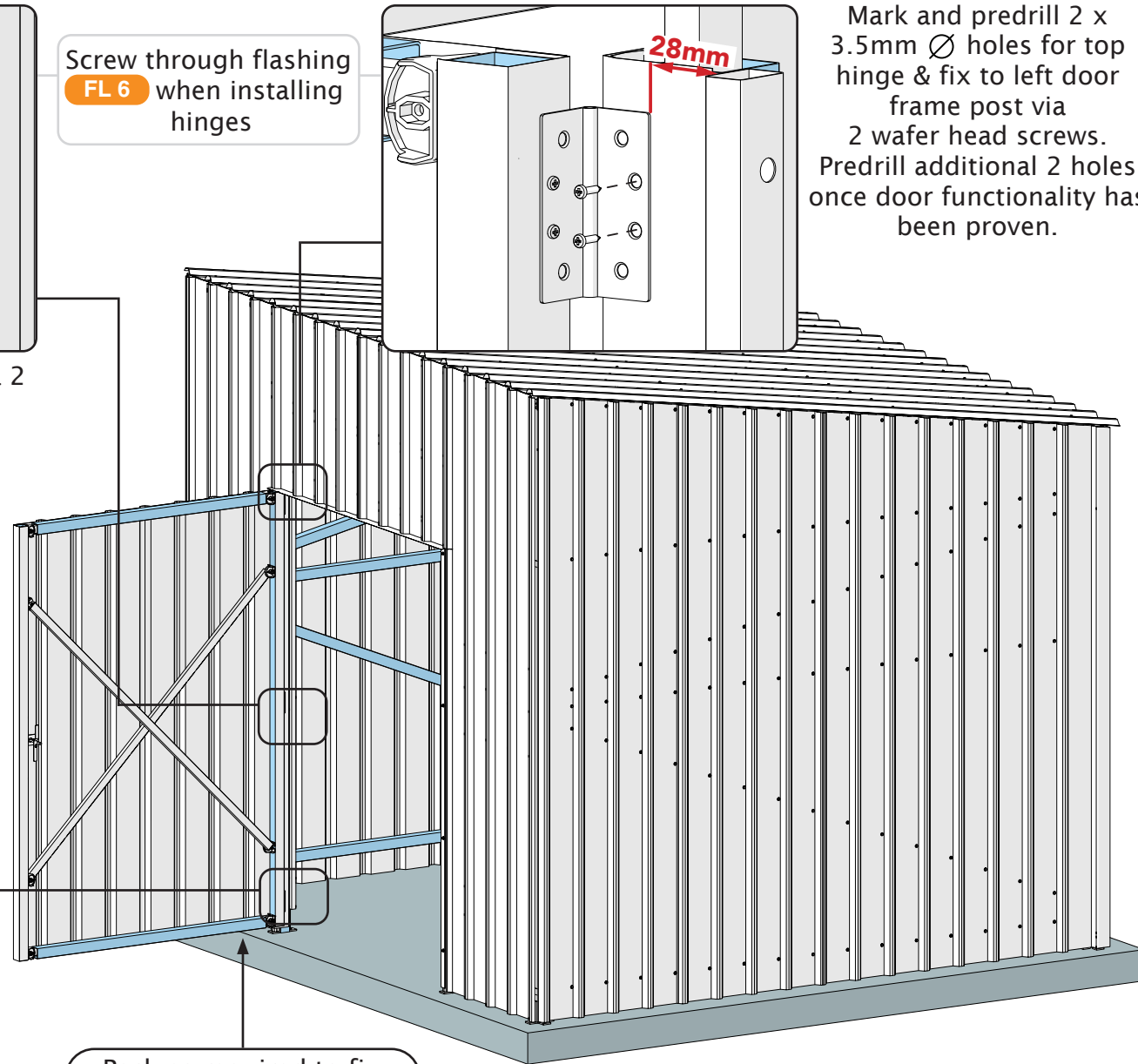
Screw through flashing
FL 6 when installing
hinges



Mark and predrill 2 x
3.5mm \varnothing holes for top
hinge & fix to left door
frame post via
2 wafer head screws.
Predrill additional 2 holes
once door functionality has
been proven.



Check door for functionality
(fully opens & closes). Fix all
remaining holes with wafer
head screws.



Pack as required to fix
door in correct position.

Approximate time
required: 0.5 Hours

Flashings

'The Darwin'
3m x 3m x 3m Shed
Region C

User Manual

Read in conjunction with
Kwiktech Build Guide and
Kwiktech Tips & Tricks

Designed by

kwiktech.

Engineered by

sbec. SCHMIDT
BENTLEY
ENGINEERING
CONSULTING

Rating: Region C

Rev 3.9

This Manual is the sole property of
Kwiktech Pty Ltd.
All rights are reserved.

This Manual is designed to be only
used with Kwiktech
produced products.

No part of this Manual or the
Kwiktech product design may be
copied or reproduced without the
consent of Kwiktech Pty Ltd.

Construction using Kwiktech
products may require planning
approval. Always contact your Local
Council for the most up-to-date
rules and regulations for your area.

All dimensions are in millimeters
(mm)

www.kwiktech.com.au
© Kwiktech Pty Ltd 2022

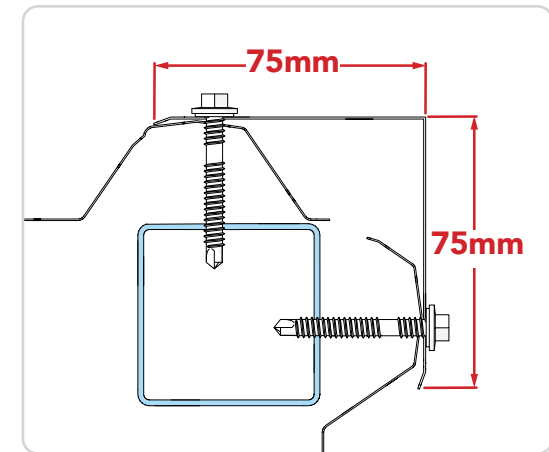
Step 1 Install front & back corner flashings



FL 3
Bottom fixing in line with cladding
fixings. 14 x 12gx53mm screws @
400mm vertical centers to secure the
flashing to the cladding & SHS frame.

FL 5
Bottom fixing in line with cladding
fixings. 12 x 12gx53mm screws @
400mm vertical centers to secure the
flashing to the cladding & SHS frame.

Back left **FL 5** hidden due to view.
Install in the same way.



Flashing dimensions

Approximate time
required: 1 Hour

Flashings

'The Darwin'
3m x 3m x 3m Shed
Region C

User Manual

Read in conjunction with
Kwiktech Build Guide and
Kwiktech Tips & Tricks

Designed by

kwiktech.

Engineered by

sbec. SCHMIDT
BENTLEY
ENGINEERING
CONSULTING

Rating: Region C

Rev 3.9

This Manual is the sole property of
Kwiktech Pty Ltd.
All rights are reserved.

This Manual is designed to be only
used with Kwiktech
produced products.

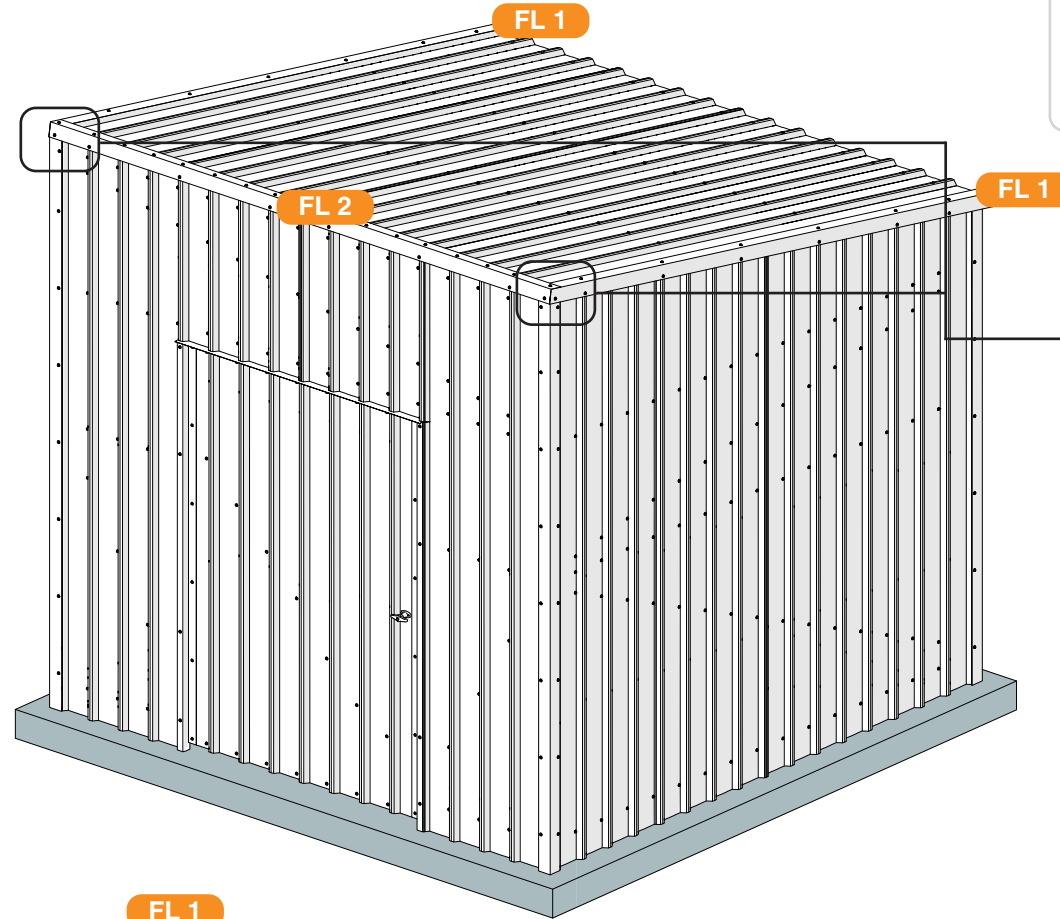
No part of this Manual or the
Kwiktech product design may be
copied or reproduced without the
consent of Kwiktech Pty Ltd.

Construction using Kwiktech
products may require planning
approval. Always contact your Local
Council for the most up-to-date
rules and regulations for your area.

All dimensions are in millimeters
(mm)

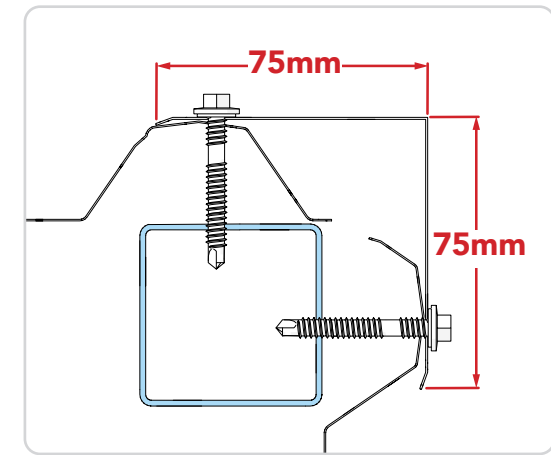
www.kwiktech.com.au
© Kwiktech Pty Ltd 2022

Step 2
Install top side flashings &
then peak flashing

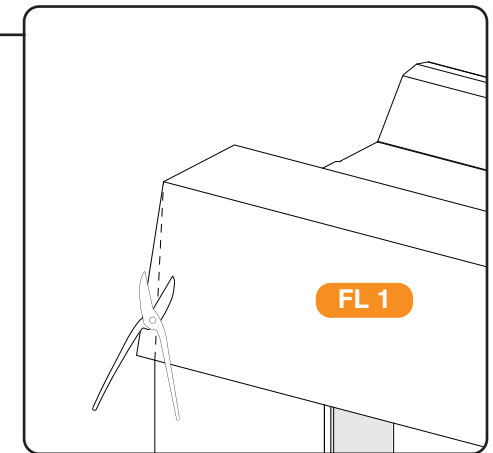


FL 1
12 x 12gx53mm screws every third
peak to secure the flashing to the
cladding & SHS frame. Secure on the
sides & roof.

FL 2
12 x 12gx53mm screws every third
peak to secure the flashing to the
cladding & RHS frame. Secure on the
front & roof.



Flashing dimensions



Trim **FL 1** before installing
FL 2 to achieve a flush corner
both sides.

Fix flashing to flashing at
corners using 10gx16mm
tek screws.

Approximate time
required: 1 Hour

Potential Sheds

'The Darwin'
3m x 3m x 3m Shed
Region C

User Manual

Read in conjunction with
Kwiktech Build Guide and
Kwiktech Tips & Tricks

Designed by

kwiktech.

Engineered by

sbec. SCHMIDT
BENTLEY
ENGINEERING
CONSULTING

Rating: Region C

Rev 3.9

This Manual is the sole property of
Kwiktech Pty Ltd.
All rights are reserved.

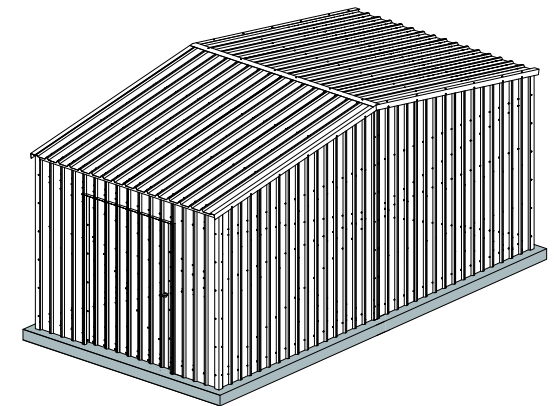
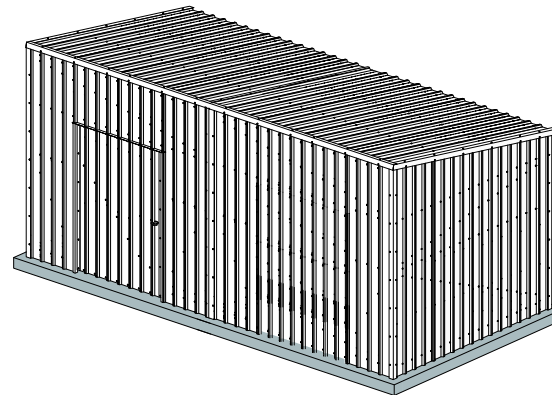
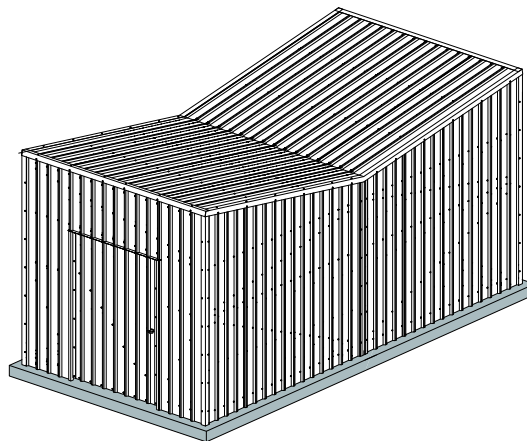
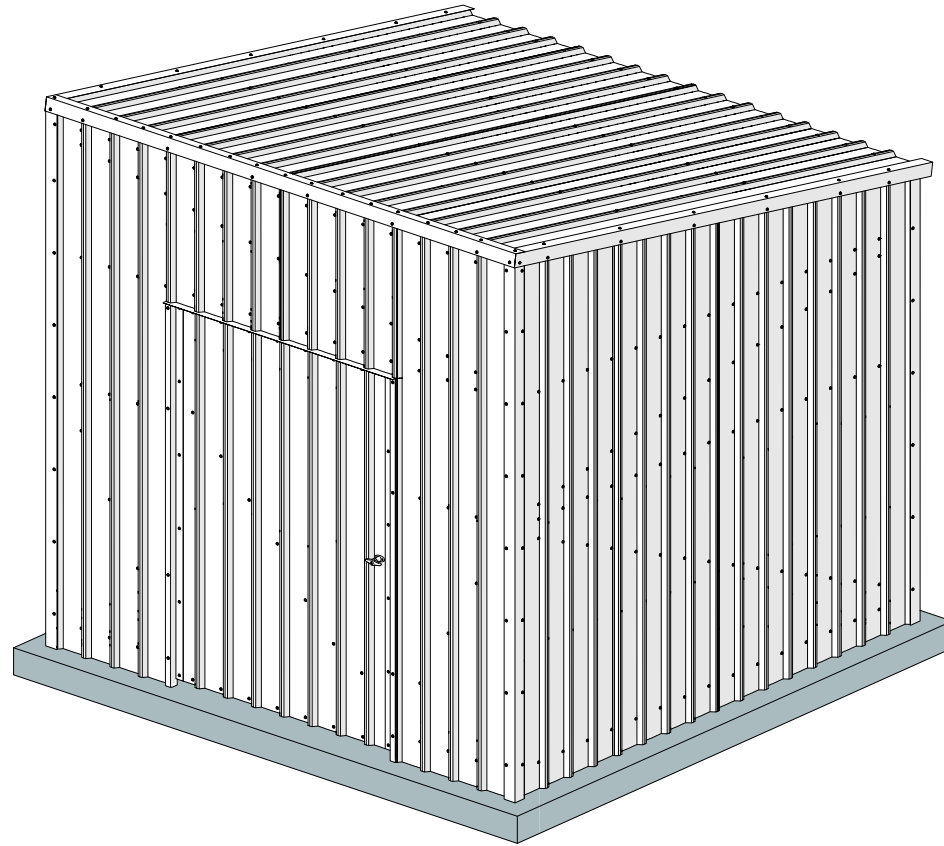
This Manual is designed to be only
used with Kwiktech
produced products.

No part of this Manual or the
Kwiktech product design may be
copied or reproduced without the
consent of Kwiktech Pty Ltd.

Construction using Kwiktech
products may require planning
approval. Always contact your Local
Council for the most up-to-date
rules and regulations for your area.

All dimensions are in millimeters
(mm)

www.kwiktech.com.au
© Kwiktech Pty Ltd 2022



*Shed extension images for example only.
Shed extension options require engineering to determine rating.*

Shed Frame Blueprint Front

'The Darwin'

3m x 3m x 3m Shed
Region C

User Manual

Read in conjunction with
Kwiktech Build Guide and
Kwiktech Tips & Tricks

Designed by

kwiktech.

Engineered by

sbec. SCHMIDT
BENTLEY
ENGINEERING
CONSULTING

Rating: Region C

Rev 3.9

This Manual is the sole property of
Kwiktech Pty Ltd.
All rights are reserved.

This Manual is designed to be only
used with Kwiktech
produced products.

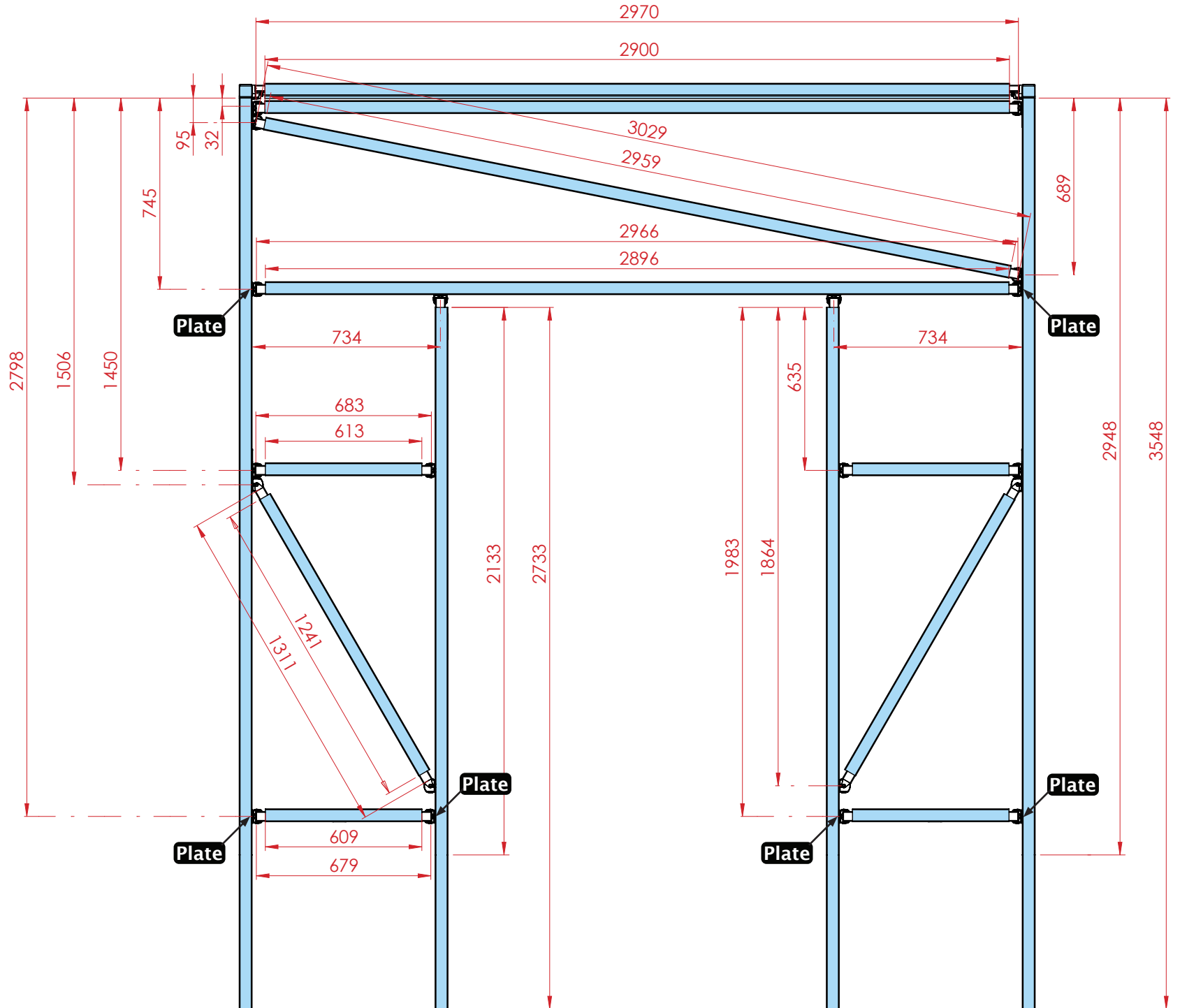
No part of this Manual or the
Kwiktech product design may be
copied or reproduced without the
consent of Kwiktech Pty Ltd.

Construction using Kwiktech
products may require planning
approval. Always contact your Local
Council for the most up-to-date
rules and regulations for your area.

All dimensions are in millimeters
(mm)

www.kwiktech.com.au

© Kwiktech Pty Ltd 2022



Shed Frame Blueprint Front

'The Darwin'

3m x 3m x 3m Shed
Region C

User Manual

Read in conjunction with
Kwiktech Build Guide and
Kwiktech Tips & Tricks

Designed by

kwiktech.

Engineered by

sbec. SCHMIDT
BENTLEY
ENGINEERING
CONSULTING

Rating: Region C

Rev 3.9

This Manual is the sole property of
Kwiktech Pty Ltd.
All rights are reserved.

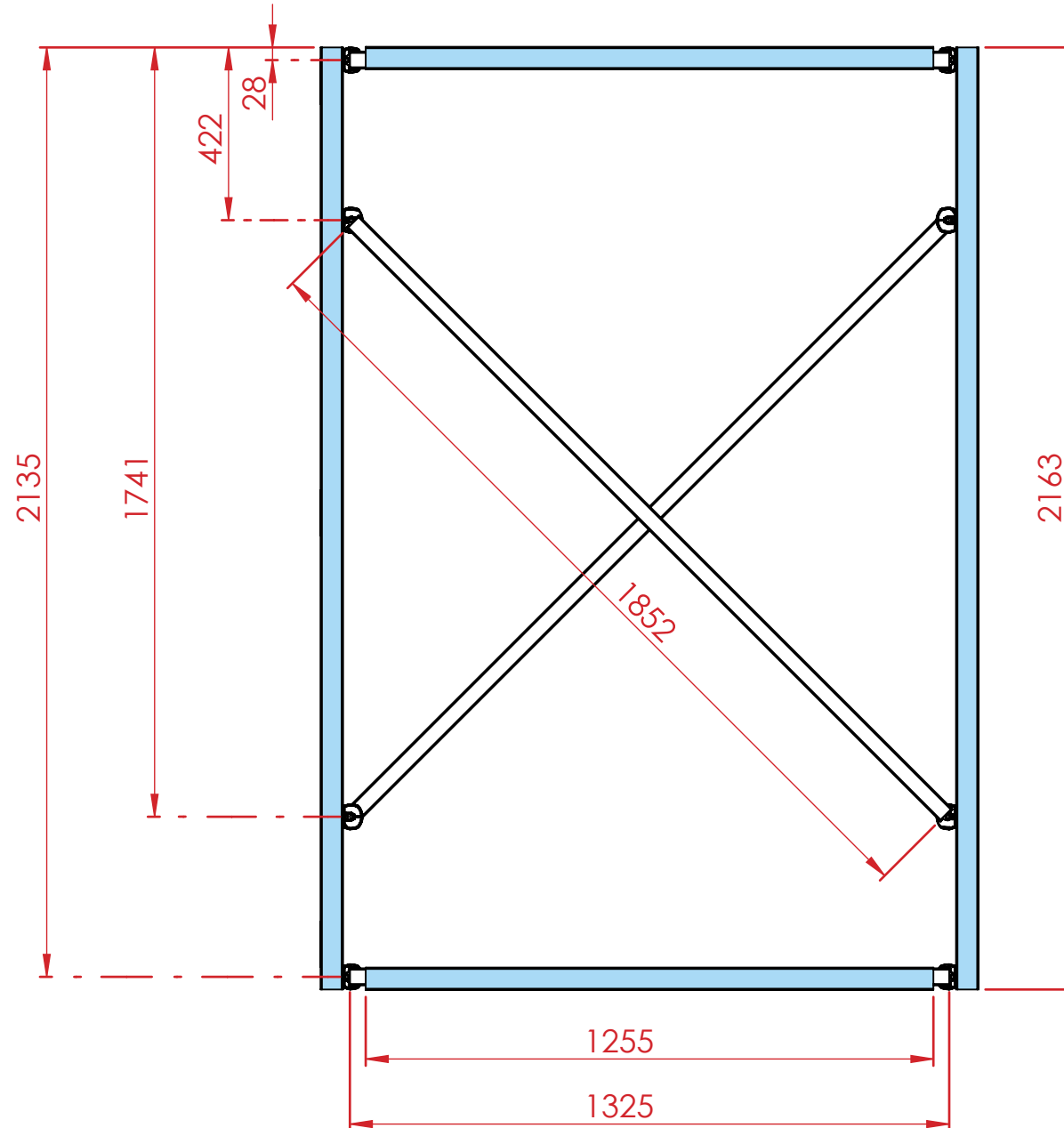
This Manual is designed to be only
used with Kwiktech
produced products.

No part of this Manual or the
Kwiktech product design may be
copied or reproduced without the
consent of Kwiktech Pty Ltd.

Construction using Kwiktech
products may require planning
approval. Always contact your Local
Council for the most up-to-date
rules and regulations for your area.

All dimensions are in millimeters
(mm)

www.kwiktech.com.au
© Kwiktech Pty Ltd 2022



Shed Frame Blueprint Front

'The Darwin'
3m x 3m x 3m Shed
Region C

User Manual

Read in conjunction with
Kwiktech Build Guide and
Kwiktech Tips & Tricks

Designed by



Engineered by



Rating: Region C

Rev 3.9

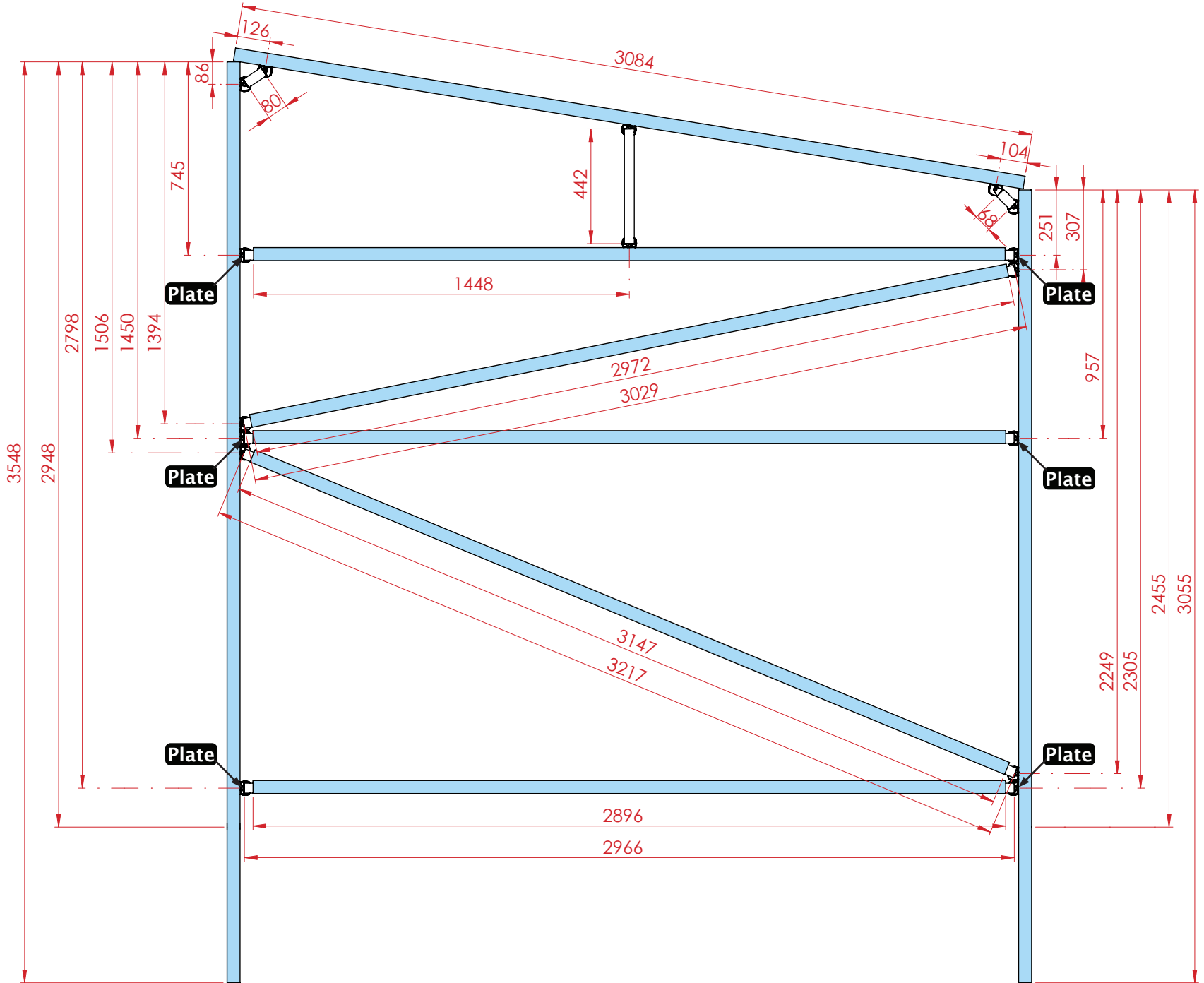
This Manual is the sole property of
Kwiktech Pty Ltd.
All rights are reserved.

This Manual is designed to be only
used with Kwiktech
produced products.

No part of this Manual or the
Kwiktech product design may be
copied or reproduced without the
consent of Kwiktech Pty Ltd.

Construction using Kwiktech
products may require planning
approval. Always contact your Local
Council for the most up-to-date
rules and regulations for your area.

All dimensions are in millimeters
(mm)



Shed Frame Blueprint Front

'The Darwin'
3m x 3m x 3m Shed
Region C

User Manual

Read in conjunction with
Kwiktech Build Guide and
Kwiktech Tips & Tricks

Designed by

kwiktech.

Engineered by

sbec. SCHMIDT
BENTLEY
ENGINEERING
CONSULTING

Rating: Region C

Rev 3.9

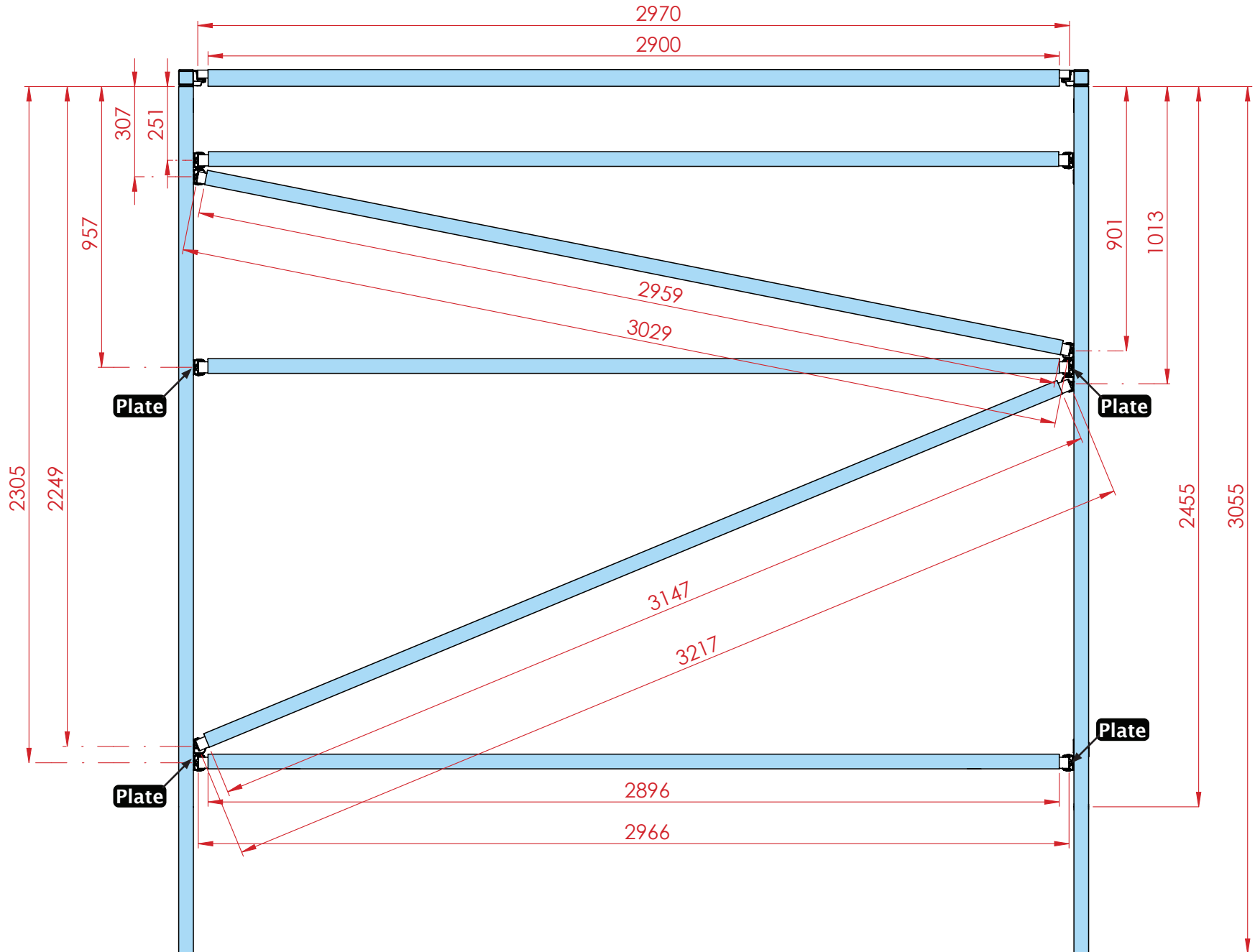
This Manual is the sole property of
Kwiktech Pty Ltd.
All rights are reserved.

This Manual is designed to be only
used with Kwiktech
produced products.

No part of this Manual or the
Kwiktech product design may be
copied or reproduced without the
consent of Kwiktech Pty Ltd.

Construction using Kwiktech
products may require planning
approval. Always contact your Local
Council for the most up-to-date
rules and regulations for your area.

All dimensions are in millimeters
(mm)



Shed Frame Blueprint Front

'The Darwin'
3m x 3m x 3m Shed
Region C

User Manual

Read in conjunction with
Kwiktech Build Guide and
Kwiktech Tips & Tricks

Designed by

kwiktech.

Engineered by

sbec. SCHMIDT
BENTLEY
ENGINEERING
CONSULTING

Rating: Region C

Rev 3.9

This Manual is the sole property of
Kwiktech Pty Ltd.
All rights are reserved.

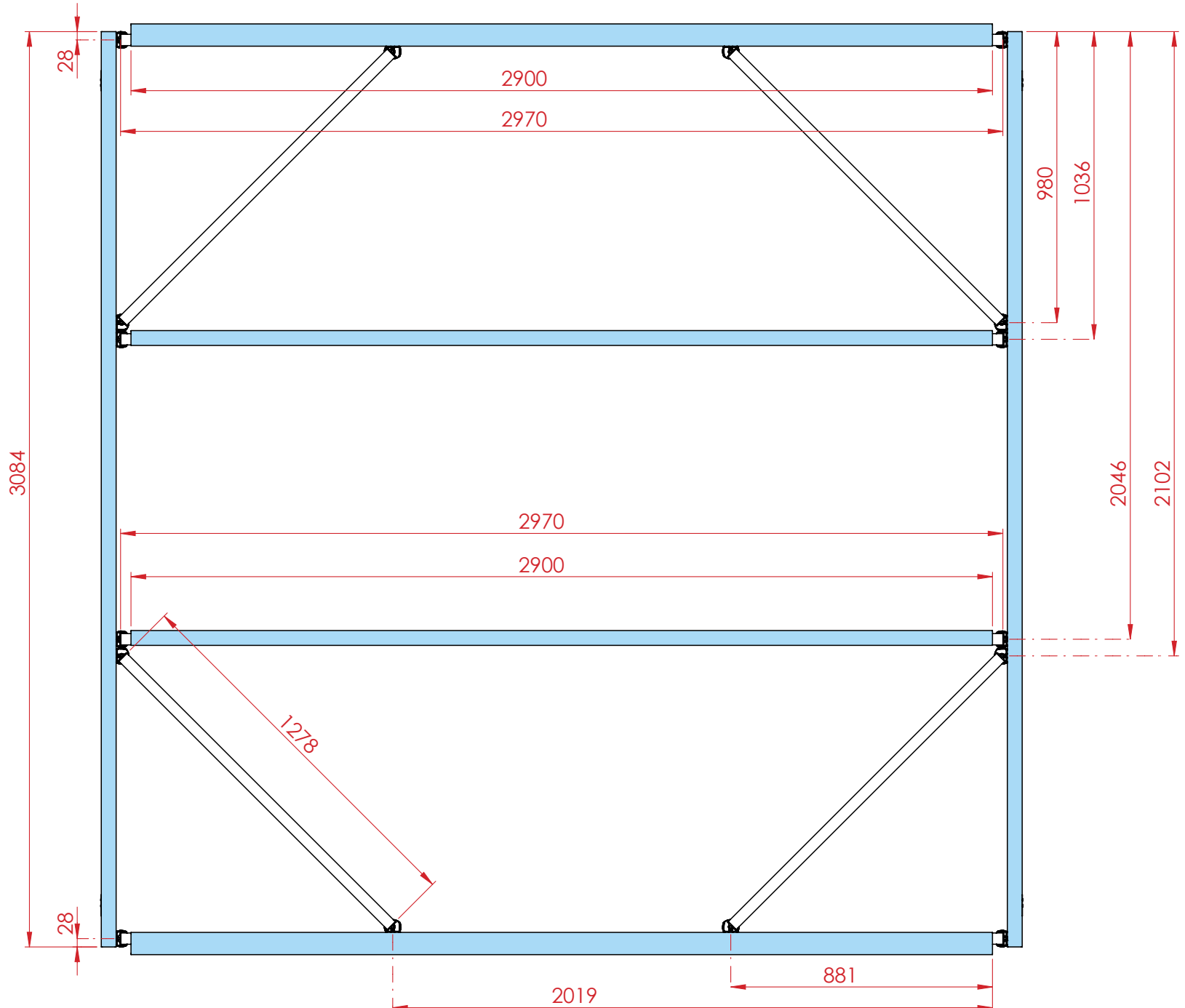
This Manual is designed to be only
used with Kwiktech
produced products.

No part of this Manual or the
Kwiktech product design may be
copied or reproduced without the
consent of Kwiktech Pty Ltd.

Construction using Kwiktech
products may require planning
approval. Always contact your Local
Council for the most up-to-date
rules and regulations for your area.

All dimensions are in millimeters
(mm)

www.kwiktech.com.au
© Kwiktech Pty Ltd 2022



Engineering Calculations

'The Darwin'

3m x 3m x 3m Shed
Region C

User Manual

Read in conjunction with
Kwiktech Build Guide and
Kwiktech Tips & Tricks

Designed by

kwik tech.

Engineered by

sbec. SCHMIDT
BENTLEY
ENGINEERING
CONSULTING

Rating: Region C

Rev 3.9

This Manual is the sole property of
Kwiktech Pty Ltd.
All rights are reserved.

This Manual is designed to be only
used with Kwiktech
produced products.

No part of this Manual or the
Kwiktech product design may be
copied or reproduced without the
consent of Kwiktech Pty Ltd.

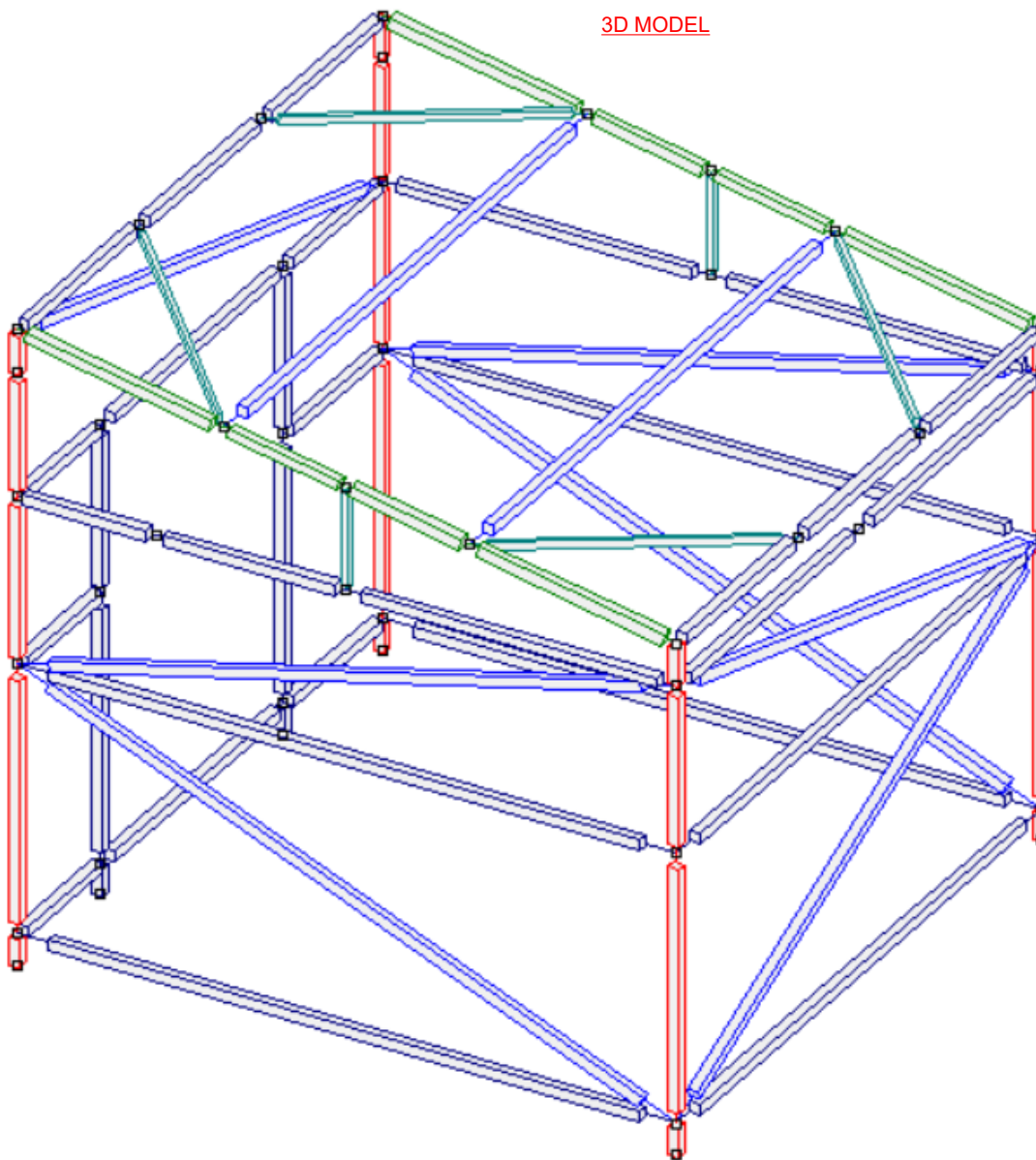
Construction using Kwiktech
products may require planning
approval. Always contact your Local
Council for the most up-to-date
rules and regulations for your area.

All dimensions are in millimeters
(mm)

www.kwiktech.com.au
© Kwiktech Pty Ltd 2022

3.1m SKILLION
REGION C
DATE: 27/09/20

3D MODEL



Engineering Calculations

'The Darwin'

3m x 3m x 3m Shed

Region C

User Manual

Read in conjunction with
Kwiktech Build Guide and
Kwiktech Tips & Tricks

Designed by

kwiktech.

Engineered by

sbec. SCHMIDT
BENTLEY
ENGINEERING
CONSULTING

Rating: Region C

Rev 3.9

This Manual is the sole property of
Kwiktech Pty Ltd.
All rights are reserved.

This Manual is designed to be only
used with Kwiktech
produced products.

No part of this Manual or the
Kwiktech product design may be
copied or reproduced without the
consent of Kwiktech Pty Ltd.

Construction using Kwiktech
products may require planning
approval. Always contact your Local
Council for the most up-to-date
rules and regulations for your area.

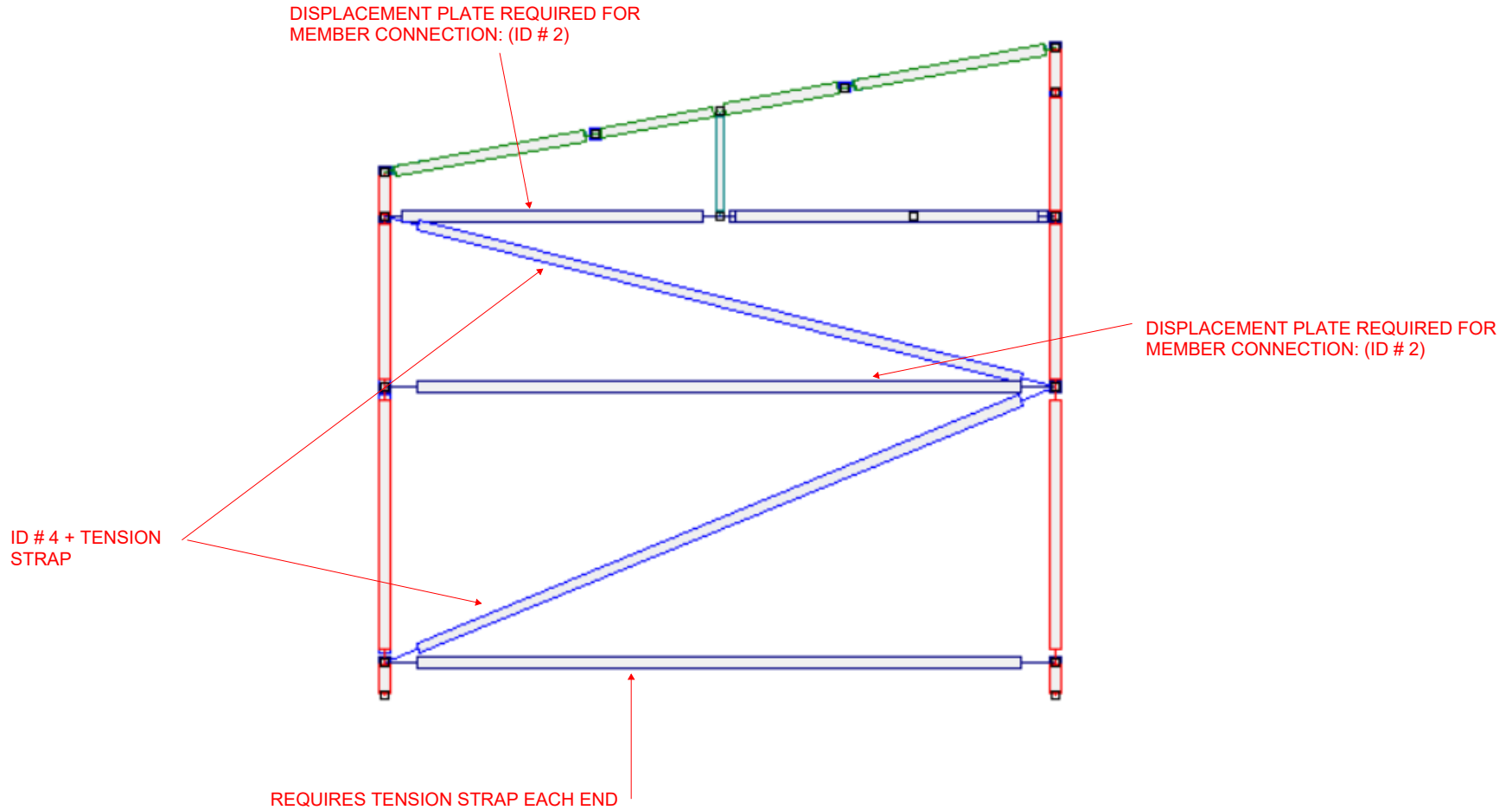
All dimensions are in millimeters
(mm)

www.kwiktech.com.au

© Kwiktech Pty Ltd 2022

3.1m SKILLION
REGION C
DATE: 27/09/20

SIDE ELEVATION (OPPOSITE ELEVATION SIMILAR)



Engineering Calculations

'The Darwin'

3m x 3m x 3m Shed
Region C

User Manual

Read in conjunction with
Kwiktech Build Guide and
Kwiktech Tips & Tricks

Designed by

kwik tech.

Engineered by

sbec. SCHMIDT
BENTLEY
ENGINEERING
CONSULTING

Rating: Region C

Rev 3.9

This Manual is the sole property of
Kwiktech Pty Ltd.
All rights are reserved.

This Manual is designed to be only
used with Kwiktech
produced products.

No part of this Manual or the
Kwiktech product design may be
copied or reproduced without the
consent of Kwiktech Pty Ltd.

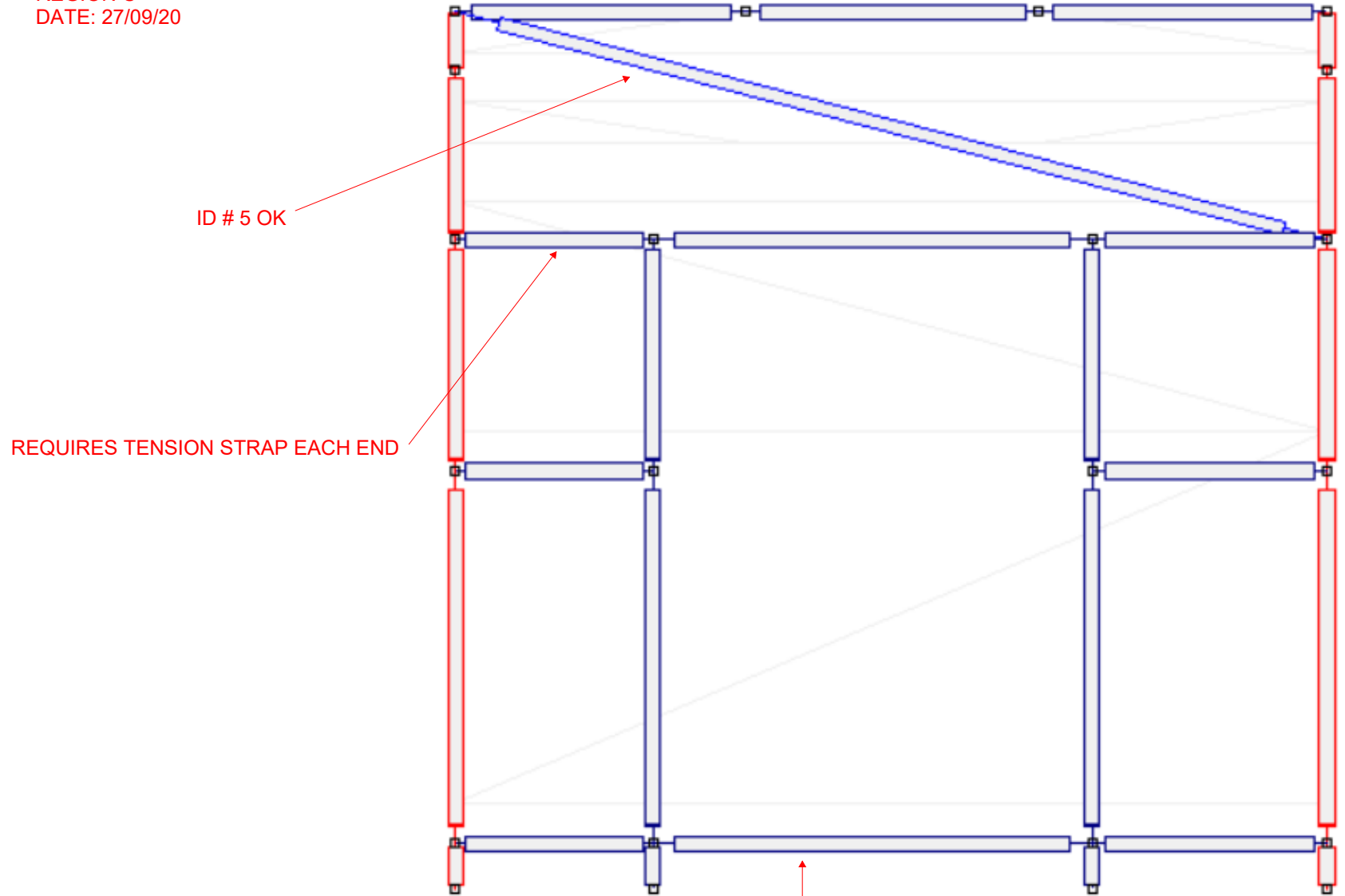
Construction using Kwiktech
products may require planning
approval. Always contact your Local
Council for the most up-to-date
rules and regulations for your area.

All dimensions are in millimeters
(mm)

www.kwiktech.com.au
© Kwiktech Pty Ltd 2022

3.1m SKILLION
REGION C
DATE: 27/09/20

FRONT ELEVATION



ID # 5 OK

REQUIRES TENSION STRAP EACH END

DISPLACEMENT PLATE REQUIRED FOR
MEMBER CONNECTION: (ID # 2) +
TENSION STRAP

Engineering Calculations

'The Darwin'

3m x 3m x 3m Shed

Region C

User Manual

Read in conjunction with
Kwiktech Build Guide and
Kwiktech Tips & Tricks

Designed by

kwiktech.

Engineered by

sbec. SCHMIDT
BENTLEY
ENGINEERING
CONSULTING

Rating: Region C

Rev 3.9

This Manual is the sole property of
Kwiktech Pty Ltd.
All rights are reserved.

This Manual is designed to be only
used with Kwiktech
produced products.

No part of this Manual or the
Kwiktech product design may be
copied or reproduced without the
consent of Kwiktech Pty Ltd.

Construction using Kwiktech
products may require planning
approval. Always contact your Local
Council for the most up-to-date
rules and regulations for your area.

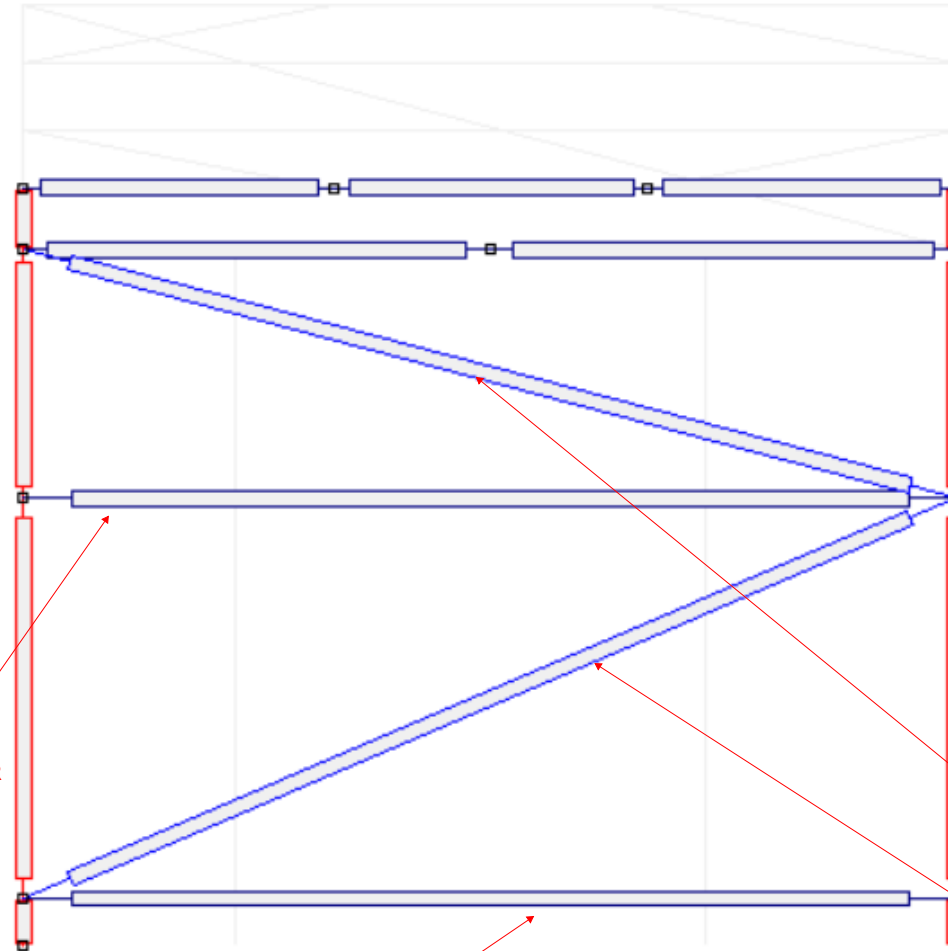
All dimensions are in millimeters
(mm)

www.kwiktech.com.au

© Kwiktech Pty Ltd 2022

3.1m SKILLION
REGION C
DATE: 27/09/20

REAR ELEVATION



DISPLACEMENT PLATE REQUIRED FOR
MEMBER CONNECTION: (ID # 2) +
TENSION STRAP

DISPLACEMENT PLATE REQUIRED FOR
MEMBER CONNECTION: (ID # 2) +
TENSION STRAP

ID # 4 + TENSION
STRAP

ID # 4 + 2x
TENSION STRAP