

Truss Inspiration

Build Guide

Read in conjunction with
Kwiktech Build Guide and
Kwiktech Tips & Tricks

Designed by



Rating: Refer to Kwiktech Test
Specification

Rev 0

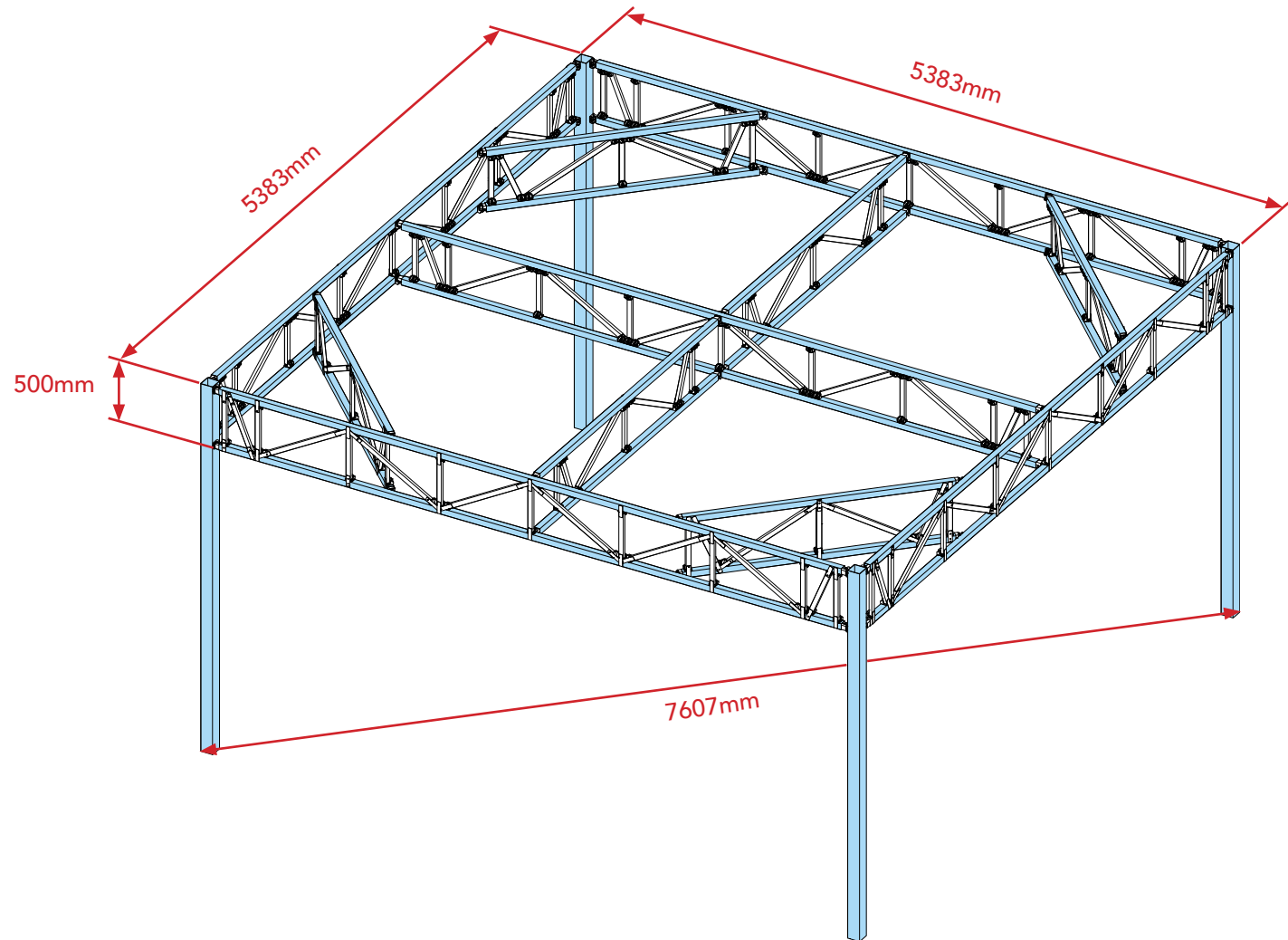
This Manual is the sole property of
Kwiktech Pty Ltd.
All rights are reserved.

This Manual is designed to be only
used with Kwiktech
produced products.

No part of this Manual or the
Kwiktech product design may be
copied or reproduced without the
consent of Kwiktech Pty Ltd.

Construction using Kwiktech
products may require planning
approval. Always contact your Local
Council for the most up-to-date
rules and regulations for your area.

All dimensions are in millimeters
(mm)



Universal Connector Locations

Truss Inspiration

Build Guide

Read in conjunction with Kwiktech Build Guide and Kwiktech Tips & Tricks

Designed by



Rating: Refer to Kwiktech Test Specification

Rev 0

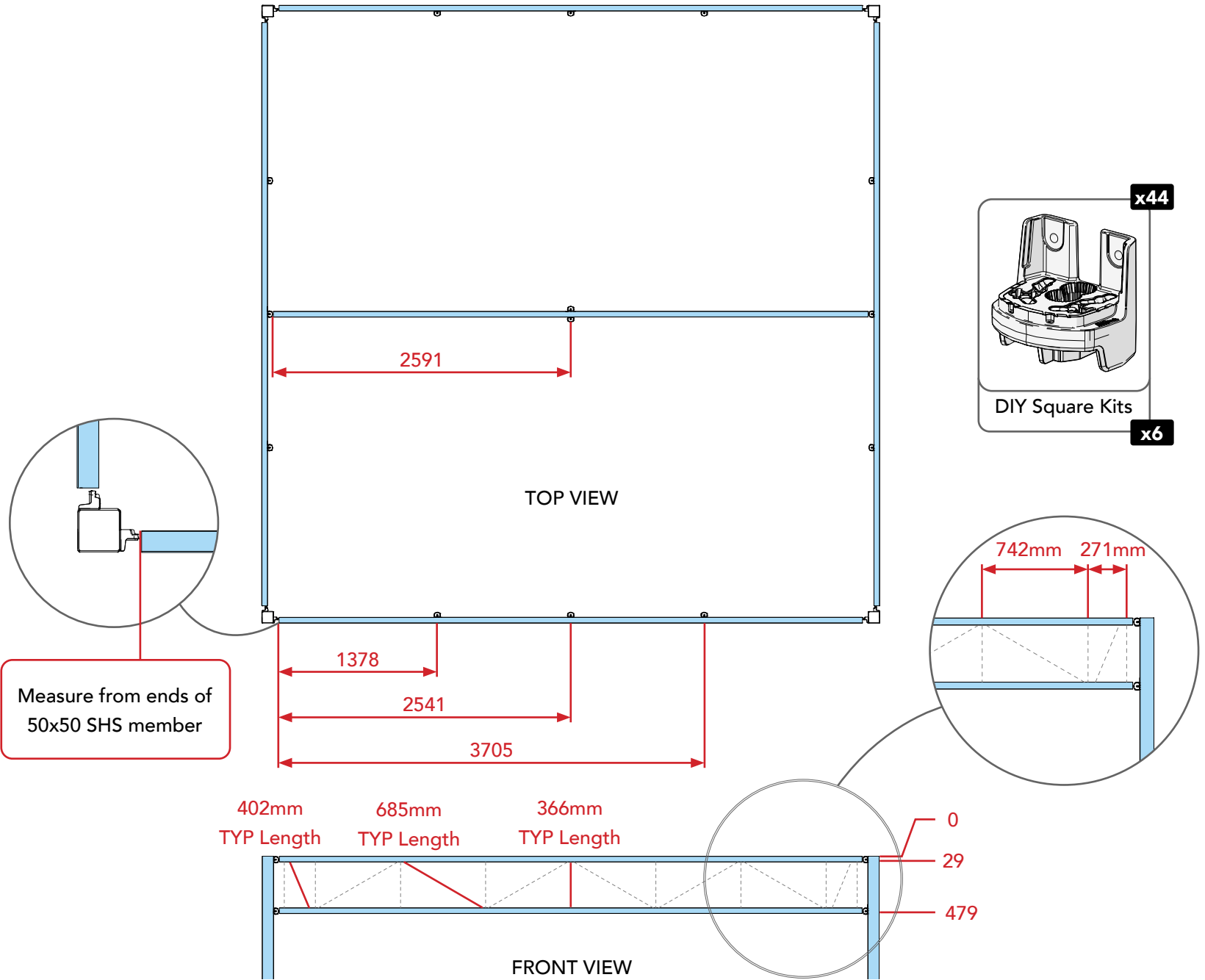
This Manual is the sole property of Kwiktech Pty Ltd. All rights are reserved.

This Manual is designed to be only used with Kwiktech produced products.

No part of this Manual or the Kwiktech product design may be copied or reproduced without the consent of Kwiktech Pty Ltd.

Construction using Kwiktech products may require planning approval. Always contact your Local Council for the most up-to-date rules and regulations for your area.

All dimensions are in millimeters (mm)



Note: Refer to the 5.1m and 2.0m Truss Manuals

ASSEMBLY

Truss Inspiration

Build Guide

Read in conjunction with
Kwiktech Build Guide and
Kwiktech Tips & Tricks

Designed by



Rating: Refer to Kwiktech Test
Specification

Rev 0

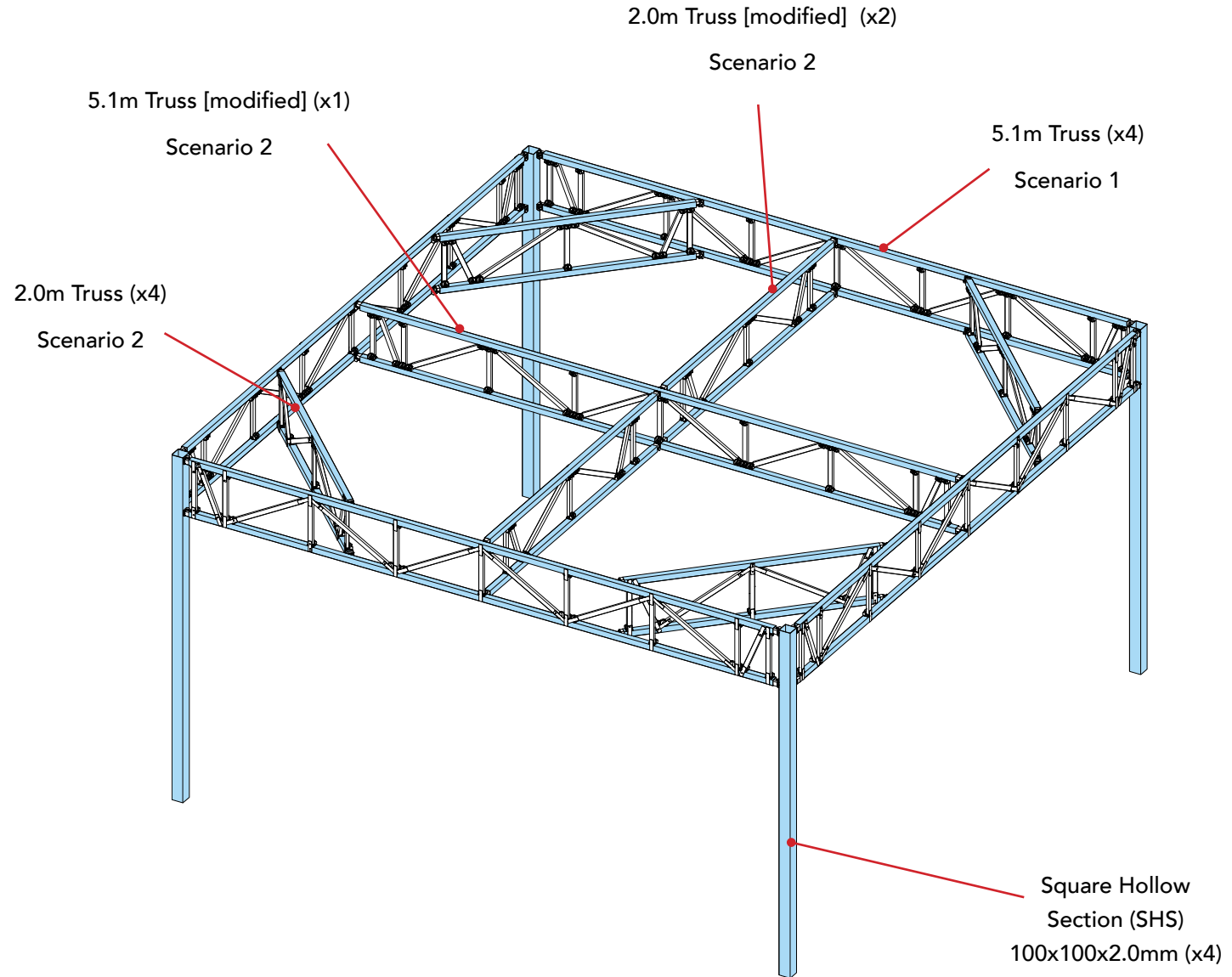
This Manual is the sole property of
Kwiktech Pty Ltd.
All rights are reserved.

This Manual is designed to be only
used with Kwiktech
produced products.

No part of this Manual or the
Kwiktech product design may be
copied or reproduced without the
consent of Kwiktech Pty Ltd.

Construction using Kwiktech
products may require planning
approval. Always contact your Local
Council for the most up-to-date
rules and regulations for your area.

All dimensions are in millimeters
(mm)



Strapping

Tension

Truss Inspiration

Build Guide

Read in conjunction with Kwiktech Build Guide and Kwiktech Tips & Tricks

Designed by



Rating: Refer to Kwiktech Test Specification

Rev 0

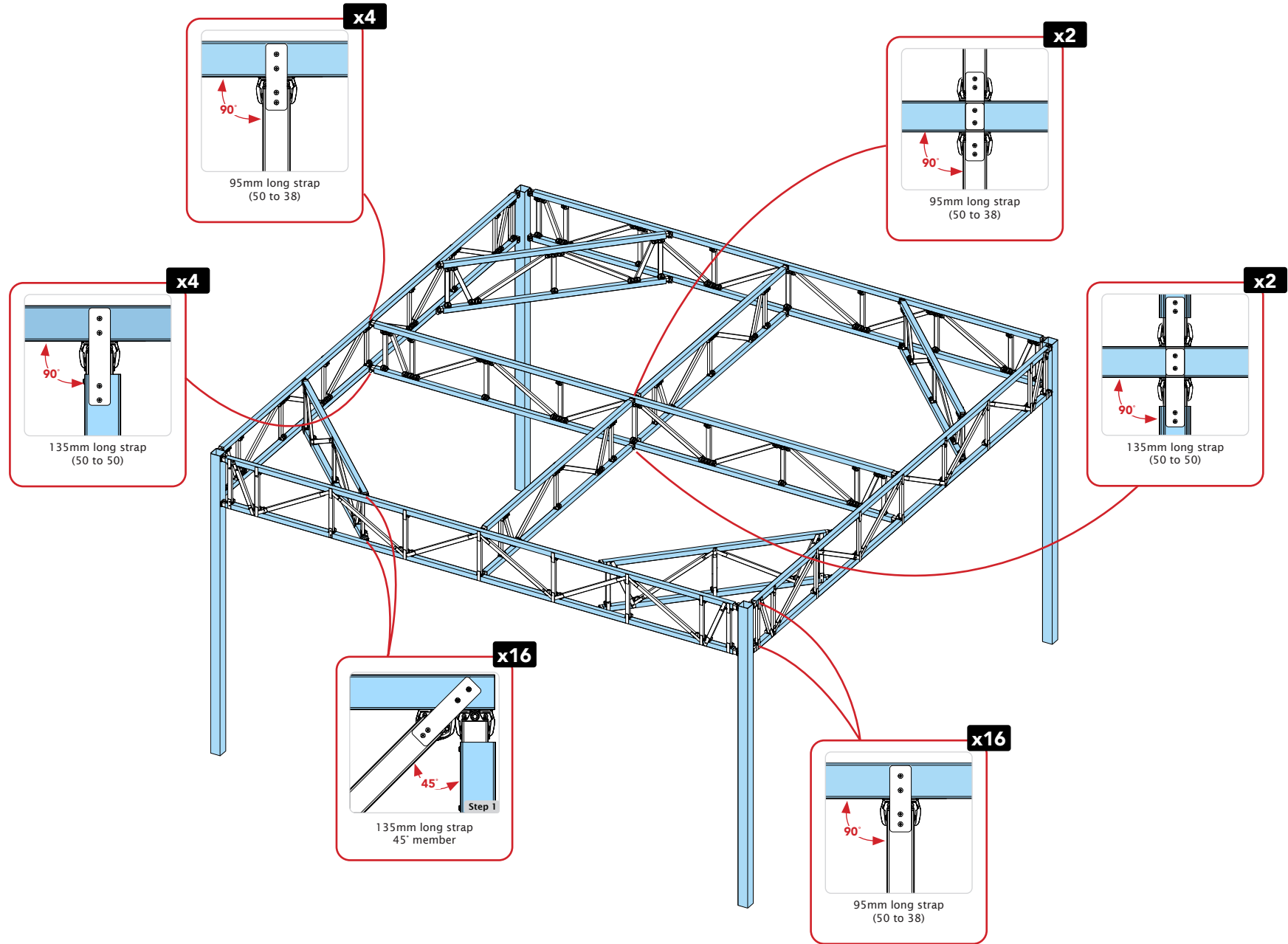
This Manual is the sole property of Kwiktech Pty Ltd. All rights are reserved.

This Manual is designed to be only used with Kwiktech produced products.

No part of this Manual or the Kwiktech product design may be copied or reproduced without the consent of Kwiktech Pty Ltd.

Construction using Kwiktech products may require planning approval. Always contact your Local Council for the most up-to-date rules and regulations for your area.

All dimensions are in millimeters (mm)



Modified Truss

Truss Inspiration

Build Guide

Read in conjunction with
Kwiktech Build Guide and
Kwiktech Tips & Tricks

Designed by



Rating: Refer to Kwiktech Test
Specification

Rev 0

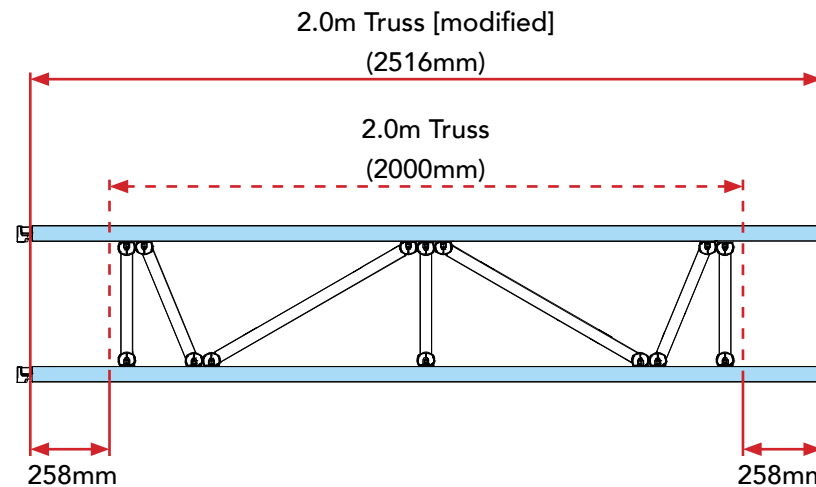
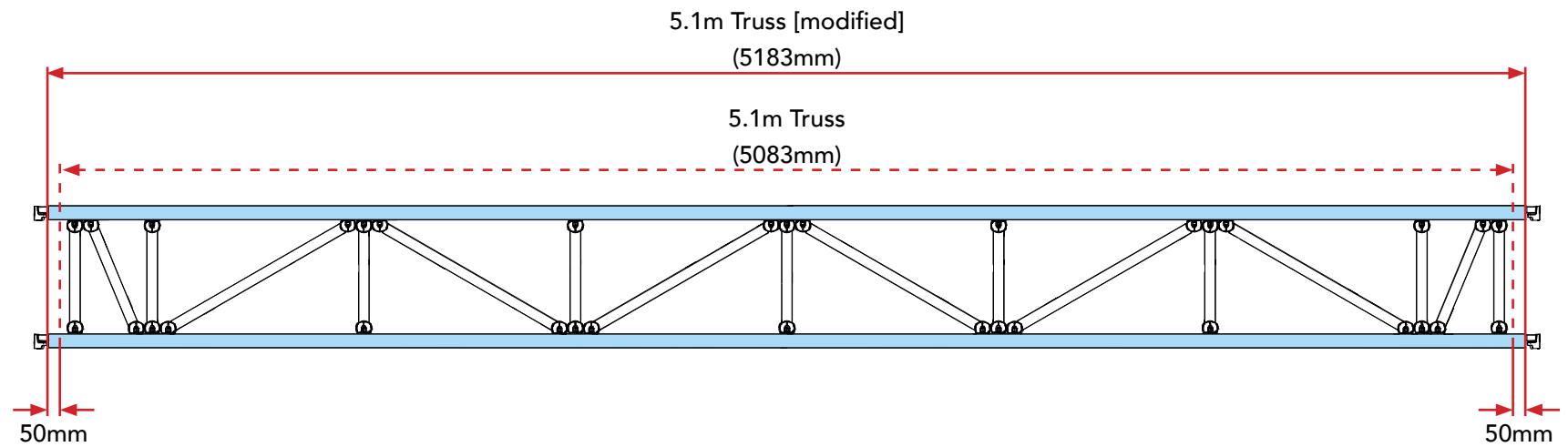
This Manual is the sole property of
Kwiktech Pty Ltd.
All rights are reserved.

This Manual is designed to be only
used with Kwiktech
produced products.

No part of this Manual or the
Kwiktech product design may be
copied or reproduced without the
consent of Kwiktech Pty Ltd.

Construction using Kwiktech
products may require planning
approval. Always contact your Local
Council for the most up-to-date
rules and regulations for your area.

All dimensions are in millimeters
(mm)



Note: Refer to original 5.1m and 2.0m Truss Manuals

Potential Outcomes

Truss Inspiration

Build Guide

Read in conjunction with Kwiktech Build Guide and Kwiktech Tips & Tricks

Designed by



Rating: Refer to Kwiktech Test Specification

Rev 0

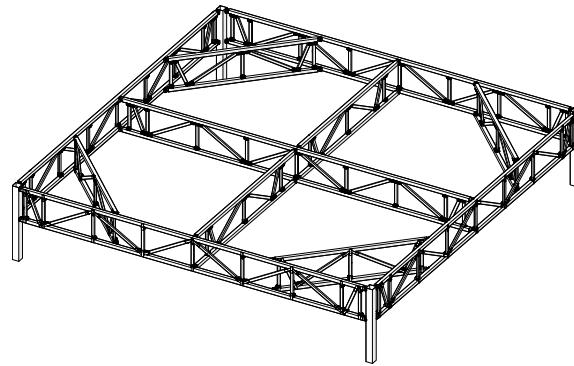
This Manual is the sole property of Kwiktech Pty Ltd. All rights are reserved.

This Manual is designed to be only used with Kwiktech produced products.

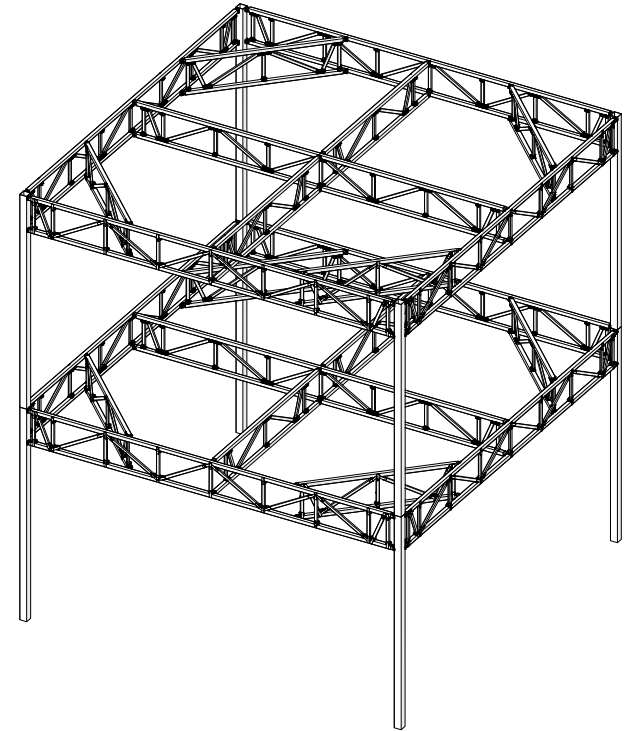
No part of this Manual or the Kwiktech product design may be copied or reproduced without the consent of Kwiktech Pty Ltd.

Construction using Kwiktech products may require planning approval. Always contact your Local Council for the most up-to-date rules and regulations for your area.

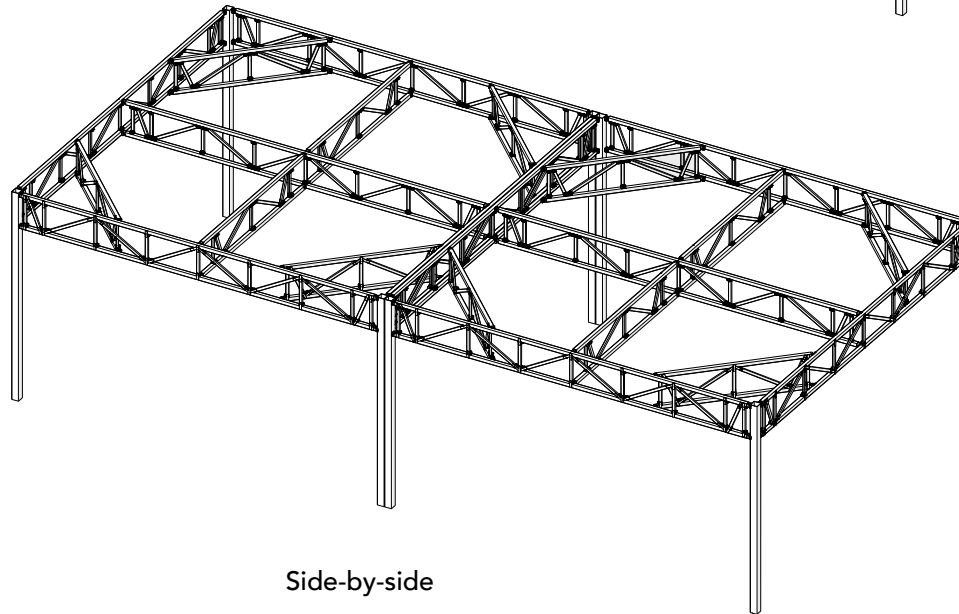
All dimensions are in millimeters (mm)



Stage



Double Level



Side-by-side

Potential Outcome images for example only.

Potential Box Truss

Truss Inspiration

Build Guide

Read in conjunction with
Kwiktech Build Guide and
Kwiktech Tips & Tricks

Designed by



Rating: Refer to Kwiktech Test
Specification

Rev 0

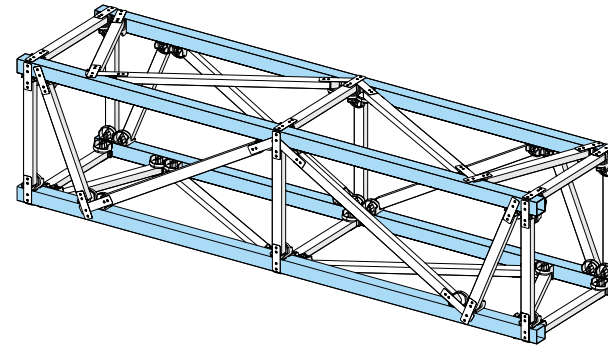
This Manual is the sole property of
Kwiktech Pty Ltd.
All rights are reserved.

This Manual is designed to be only
used with Kwiktech
produced products.

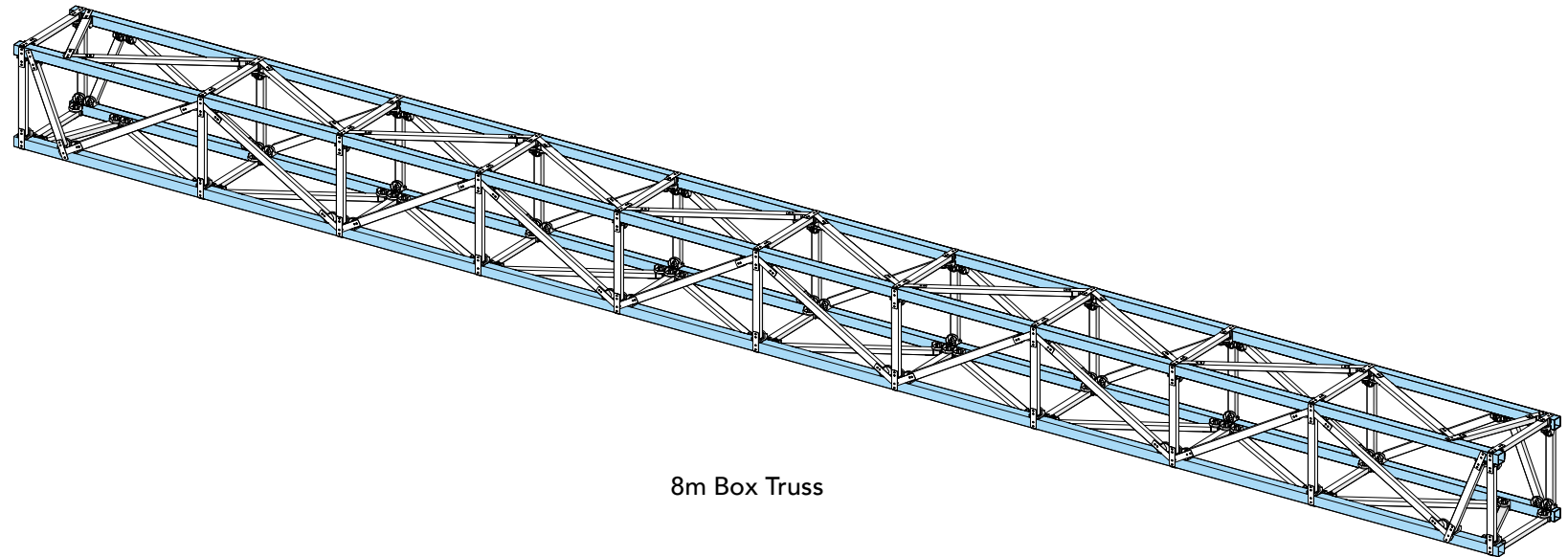
No part of this Manual or the
Kwiktech product design may be
copied or reproduced without the
consent of Kwiktech Pty Ltd.

Construction using Kwiktech
products may require planning
approval. Always contact your Local
Council for the most up-to-date
rules and regulations for your area.

All dimensions are in millimeters
(mm)



2m Box Truss



8m Box Truss