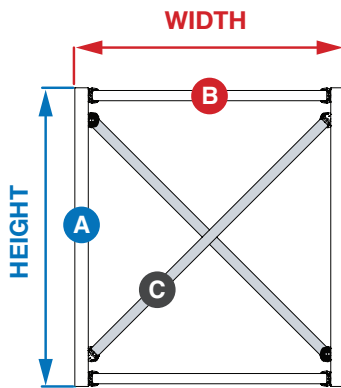


EASY FRAME DIY

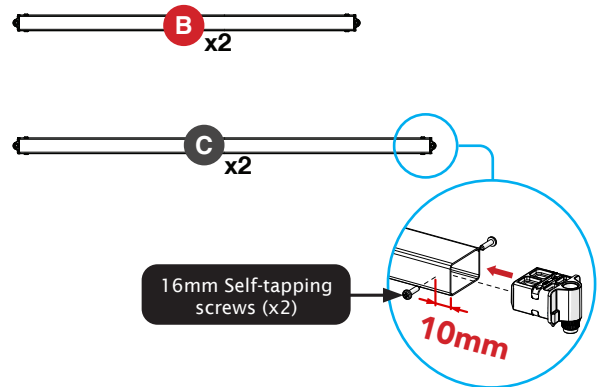
Build your own custom made frame using only a tape measure & standard power tools.

STEP 1



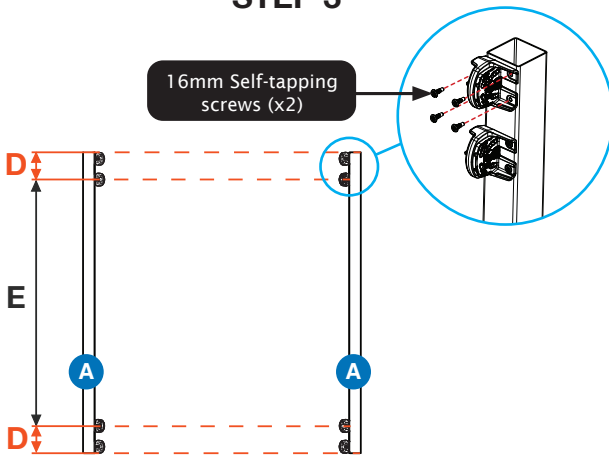
Measure the overall dimensions of your desired frame and find the cut-lengths for the hollow sections in the **Cut list Table** on Page 1.

STEP 2



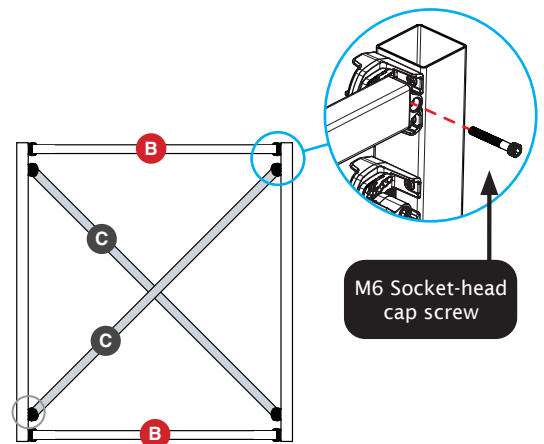
Insert the rail connectors into each end of the **RHS (38x25)** then fix with the Self-tapping screws provided.

STEP 3



Find the required positioning for the Universal connectors from the **Connector Positioning Table** on Page 2 and fix with the provided Self tapping screws

STEP 4



Connect your framework together as shown and secure each connection with the provided M6 Socket-head Cap Locking Screw.

Visit www.kwiktech.com.au to watch the EasyFrame Tutorial Videos

STEP 1

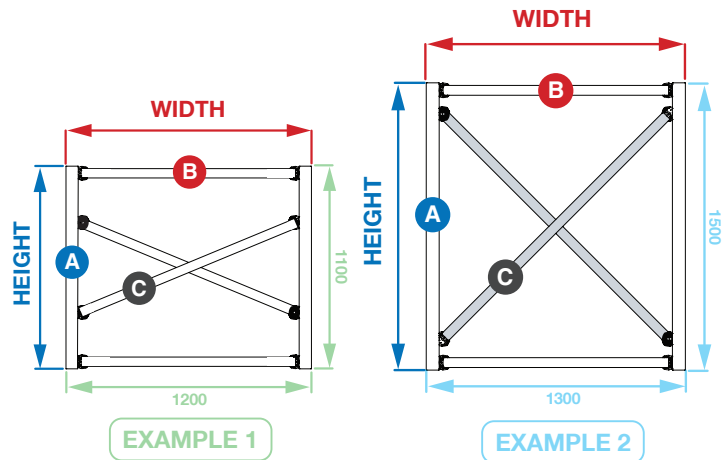
Simply purchase your Kwiktech 'DIY Square Kit' at www.kwiktech.com.au, select your size framework (**HEIGHT & WIDTH**) and refer to the **CUT LIST TABLE** below for member lengths.

Purchase your steel or aluminium members; **A**, **B** & **C** from your local metal supplier and refer to the **CONNECTOR POSITIONING TABLE** on page 2 for connector positions.

HARDWARE TABLE

Qty	#	Steel	Aluminium
2x	A	50x50x1.5mm or 1.6mm SHS	OR 50x50x2.5mm SHS 38x25x1.5mm RHS 38x25x1.5mm RHS
2x	B	38x25x1.2mm or 1.6mm RHS	
2x	C	38x25x1.2mm or 1.6mm RHS	

Kwiktech Kits
KT-P-012

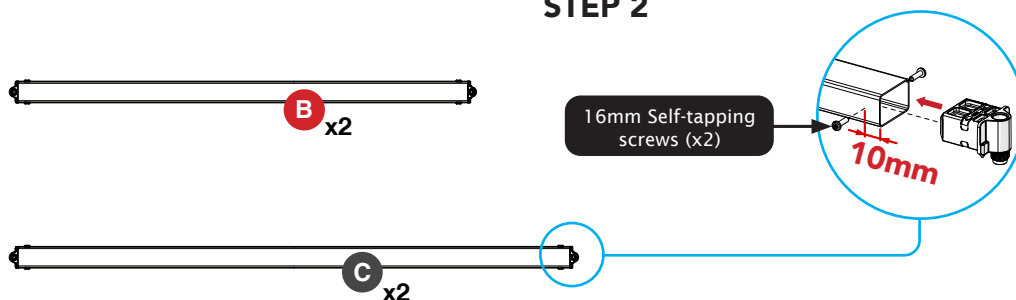


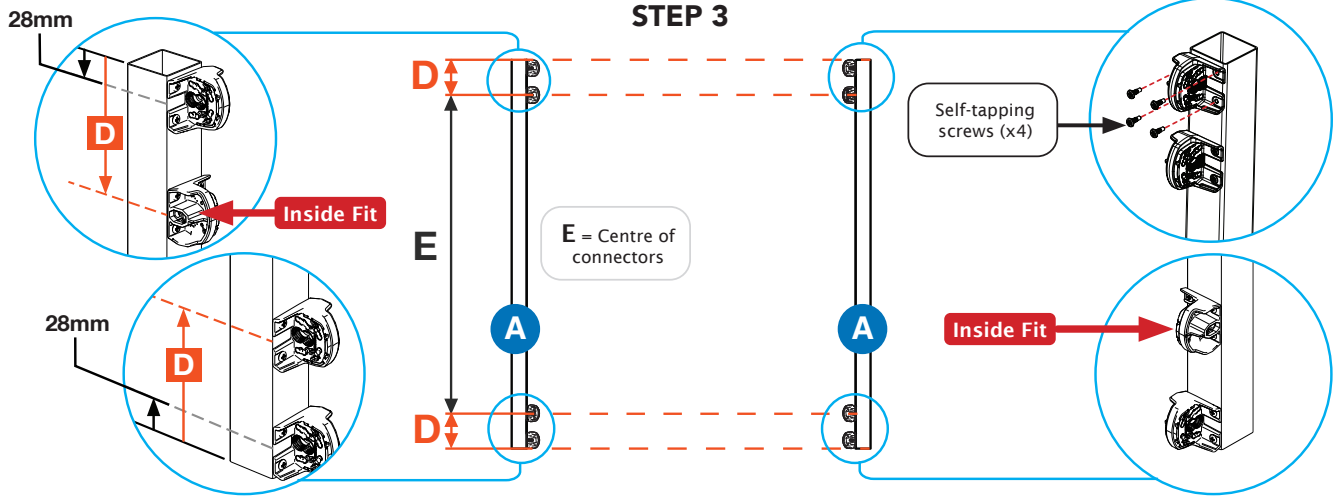
CUT LIST TABLE

Intersect table to determine your member lengths.

		WIDTH														
		1000	1100	1200	1300	1400	1500	1600	1700	1800	1900	2000	2100	2200	2300	2400
HEIGHT	1000	B - 870 C - 943	B - 970 C - 1051	B - 1070 C - 1160	B - 1170 C - 1268	B - 1270 C - 1376	B - 1370 C - 1484	B - 1470 C - 1593	B - 1570 C - 1701	B - 1670 C - 1809	B - 1770 C - 1917	B - 1870 C - 2026	B - 1970 C - 2134	N/A	N/A	N/A
	1100	B - 870 C - 943	B - 970 C - 1051	B - 1070 C - 1160	B - 1170 C - 1268	B - 1270 C - 1376	B - 1370 C - 1484	B - 1470 C - 1593	B - 1570 C - 1701	B - 1670 C - 1809	B - 1770 C - 1917	B - 1870 C - 2026	B - 1970 C - 2134	B - 2070 C - 2242	B - 2170 C - 2350	N/A
	1200	B - 870 C - 1208	B - 970 C - 1051	B - 1070 C - 1160	B - 1170 C - 1268	B - 1270 C - 1376	B - 1370 C - 1484	B - 1470 C - 1593	B - 1570 C - 1701	B - 1670 C - 1809	B - 1770 C - 1917	B - 1870 C - 2026	B - 1970 C - 2134	B - 2070 C - 2242	B - 2170 C - 2350	B - 2270 C - 2459
	1300	B - 870 C - 1208	B - 970 C - 1350	B - 1070 C - 1160	B - 1170 C - 1268	B - 1270 C - 1376	B - 1370 C - 1484	B - 1470 C - 1593	B - 1570 C - 1701	B - 1670 C - 1809	B - 1770 C - 1917	B - 1870 C - 2026	B - 1970 C - 2134	B - 2070 C - 2242	B - 2170 C - 2350	B - 2270 C - 2459
	1400	B - 870 C - 1208	B - 970 C - 1350	B - 1070 C - 1491	B - 1170 C - 1268	B - 1270 C - 1376	B - 1370 C - 1484	B - 1470 C - 1593	B - 1570 C - 1701	B - 1670 C - 1809	B - 1770 C - 1917	B - 1870 C - 2026	B - 1970 C - 2134	B - 2070 C - 2242	B - 2170 C - 2350	B - 2270 C - 2459
	1500	B - 870 C - 1208	B - 970 C - 1350	B - 1070 C - 1491	B - 1170 C - 1632	B - 1270 C - 1376	B - 1370 C - 1484	B - 1470 C - 1593	B - 1570 C - 1701	B - 1670 C - 1809	B - 1770 C - 1917	B - 1870 C - 2026	B - 1970 C - 2134	B - 2070 C - 2242	B - 2170 C - 2350	B - 2270 C - 2459
	1600	B - 870 C - 1208	B - 970 C - 1350	B - 1070 C - 1491	B - 1170 C - 1632	B - 1270 C - 1774	B - 1370 C - 1484	B - 1470 C - 1593	B - 1570 C - 1701	B - 1670 C - 1809	B - 1770 C - 1917	B - 1870 C - 2026	B - 1970 C - 2134	B - 2070 C - 2242	B - 2170 C - 2350	B - 2270 C - 2459
	1700	B - 870 C - 1208	B - 970 C - 1350	B - 1070 C - 1491	B - 1170 C - 1632	B - 1270 C - 1774	B - 1370 C - 1915	B - 1470 C - 1593	B - 1570 C - 1701	B - 1670 C - 1809	B - 1770 C - 1917	B - 1870 C - 2026	B - 1970 C - 2134	B - 2070 C - 2242	B - 2170 C - 2350	B - 2270 C - 2459
	1800	B - 870 C - 1208	B - 970 C - 1350	B - 1070 C - 1491	B - 1170 C - 1632	B - 1270 C - 1774	B - 1370 C - 1915	B - 1470 C - 2057	B - 1570 C - 1701	B - 1670 C - 1809	B - 1770 C - 1917	B - 1870 C - 2026	B - 1970 C - 2134	B - 2070 C - 2242	B - 2170 C - 2350	B - 2270 C - 2459
	1900	B - 870 C - 1208	B - 970 C - 1350	B - 1070 C - 1491	B - 1170 C - 1632	B - 1270 C - 1774	B - 1370 C - 1915	B - 1470 C - 2057	B - 1570 C - 2198	B - 1670 C - 1809	B - 1770 C - 1917	B - 1870 C - 2026	B - 1970 C - 2134	B - 2070 C - 2242	B - 2170 C - 2350	B - 2270 C - 2459
	2000	B - 870 C - 1208	B - 970 C - 1350	B - 1070 C - 1491	B - 1170 C - 1632	B - 1270 C - 1774	B - 1370 C - 1915	B - 1470 C - 2057	B - 1570 C - 2198	B - 1670 C - 2340	B - 1770 C - 1917	B - 1870 C - 2026	B - 1970 C - 2134	B - 2070 C - 2242	B - 2170 C - 2350	B - 2270 C - 2459
	2100	B - 870 C - 1208	B - 970 C - 1350	B - 1070 C - 1491	B - 1170 C - 1632	B - 1270 C - 1774	B - 1370 C - 1915	B - 1470 C - 2057	B - 1570 C - 2198	B - 1670 C - 2340	B - 1770 C - 2481	B - 1870 C - 2026	B - 1970 C - 2134	B - 2070 C - 2242	B - 2170 C - 2350	B - 2270 C - 2459
	2200	B - 870 C - 1208	B - 970 C - 1350	B - 1070 C - 1491	B - 1170 C - 1632	B - 1270 C - 1774	B - 1370 C - 1915	B - 1470 C - 2057	B - 1570 C - 2198	B - 1670 C - 2340	B - 1770 C - 2481	B - 1870 C - 2622	B - 1970 C - 2134	B - 2070 C - 2242	B - 2170 C - 2350	B - 2270 C - 2459
	2300	B - 870 C - 1208	B - 970 C - 1350	B - 1070 C - 1491	B - 1170 C - 1632	B - 1270 C - 1774	B - 1370 C - 1915	B - 1470 C - 2057	B - 1570 C - 2198	B - 1670 C - 2340	B - 1770 C - 2481	B - 1870 C - 2622	B - 1970 C - 2764	B - 2070 C - 2242	B - 2170 C - 2350	B - 2270 C - 2459
	2400	B - 870 C - 1208	B - 970 C - 1350	B - 1070 C - 1491	B - 1170 C - 1632	B - 1270 C - 1774	B - 1370 C - 1915	B - 1470 C - 2057	B - 1570 C - 2198	B - 1670 C - 2340	B - 1770 C - 2481	B - 1870 C - 2622	B - 1970 C - 2764	B - 2070 C - 2905	B - 2170 C - 2350	B - 2270 C - 2459

STEP 2





CONNECTOR POSITIONING TABLE

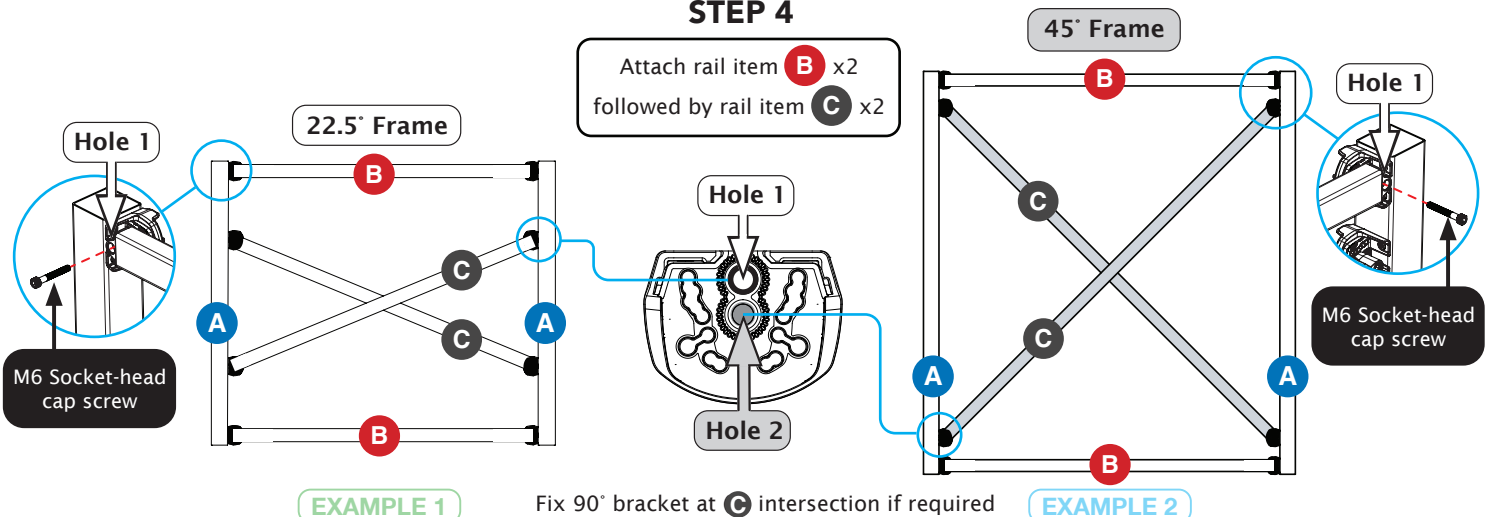
Intersect table to determine your measurements.

WIDTH

(mm)	1000	1100	1200	1300	1400	1500	1600	1700	1800	1900	2000	2100	2200	2300	2400
1000	D - 317 E - 366	D - 296 E - 408	D - 275 E - 449	D - 255 E - 490	D - 234 E - 532	D - 213 E - 573	D - 193 E - 615	D - 172 E - 656	D - 151 E - 698	D - 131 E - 739	D - 110 E - 780	D - 89 E - 822	N/A	N/A	N/A
1100	D - 367 E - 366	D - 346 E - 408	D - 325 E - 449	D - 305 E - 490	D - 284 E - 532	D - 263 E - 573	D - 243 E - 615	D - 222 E - 656	D - 201 E - 698	D - 181 E - 739	D - 160 E - 780	D - 139 E - 822	D - 118 E - 863	D - 98 E - 905	N/A
1200	D - 168 E - 864	D - 396 E - 408	D - 375 E - 449	D - 355 E - 490	D - 334 E - 532	D - 313 E - 573	D - 293 E - 615	D - 272 E - 656	D - 251 E - 698	D - 231 E - 739	D - 210 E - 780	D - 189 E - 822	D - 168 E - 863	D - 148 E - 905	D - 127 E - 946
1300	D - 218 E - 864	D - 168 E - 964	D - 425 E - 449	D - 405 E - 490	D - 384 E - 532	D - 363 E - 573	D - 343 E - 615	D - 322 E - 656	D - 301 E - 698	D - 281 E - 739	D - 260 E - 780	D - 239 E - 822	D - 218 E - 863	D - 198 E - 905	D - 177 E - 946
1400	D - 268 E - 864	D - 218 E - 964	D - 168 E - 1064	D - 455 E - 409	D - 434 E - 532	D - 413 E - 573	D - 393 E - 615	D - 372 E - 656	D - 351 E - 698	D - 331 E - 739	D - 310 E - 780	D - 289 E - 822	D - 268 E - 863	D - 248 E - 905	D - 227 E - 946
1500	D - 318 E - 864	D - 268 E - 964	D - 218 E - 1064	D - 168 E - 1164	D - 484 E - 532	D - 463 E - 573	D - 443 E - 615	D - 422 E - 656	D - 401 E - 698	D - 381 E - 739	D - 360 E - 780	D - 339 E - 822	D - 318 E - 863	D - 298 E - 905	D - 277 E - 946
1600	D - 368 E - 864	D - 318 E - 964	D - 268 E - 1064	D - 218 E - 1164	D - 168 E - 1264	D - 513 E - 573	D - 493 E - 615	D - 472 E - 656	D - 451 E - 698	D - 431 E - 739	D - 410 E - 780	D - 389 E - 822	D - 368 E - 863	D - 348 E - 905	D - 327 E - 946
1700	D - 418 E - 864	D - 368 E - 964	D - 318 E - 1064	D - 268 E - 1164	D - 218 E - 1264	D - 168 E - 1364	D - 543 E - 615	D - 522 E - 656	D - 501 E - 698	D - 481 E - 739	D - 460 E - 780	D - 439 E - 822	D - 418 E - 863	D - 398 E - 905	D - 377 E - 946
1800	D - 468 E - 864	D - 418 E - 964	D - 368 E - 1064	D - 318 E - 1164	D - 268 E - 1264	D - 218 E - 1364	D - 168 E - 1464	D - 572 E - 656	D - 551 E - 698	D - 531 E - 739	D - 510 E - 780	D - 489 E - 822	D - 468 E - 863	D - 448 E - 905	D - 427 E - 946
1900	D - 518 E - 864	D - 468 E - 964	D - 418 E - 1064	D - 368 E - 1164	D - 318 E - 1264	D - 268 E - 1364	D - 218 E - 1464	D - 168 E - 1564	D - 601 E - 698	D - 581 E - 739	D - 560 E - 780	D - 539 E - 822	D - 518 E - 863	D - 498 E - 905	D - 477 E - 946
2000	D - 568 E - 864	D - 518 E - 964	D - 468 E - 1064	D - 418 E - 1164	D - 368 E - 1264	D - 318 E - 1364	D - 268 E - 1464	D - 218 E - 1564	D - 168 E - 1664	D - 631 E - 739	D - 610 E - 780	D - 589 E - 822	D - 568 E - 863	D - 548 E - 905	D - 527 E - 946
2100	D - 618 E - 864	D - 568 E - 964	D - 518 E - 1064	D - 468 E - 1164	D - 418 E - 1264	D - 368 E - 1364	D - 318 E - 1464	D - 268 E - 1564	D - 218 E - 1664	D - 168 E - 1764	D - 660 E - 780	D - 639 E - 822	D - 618 E - 863	D - 598 E - 905	D - 577 E - 946
2200	D - 668 E - 864	D - 618 E - 964	D - 568 E - 1064	D - 518 E - 1164	D - 468 E - 1264	D - 418 E - 1364	D - 368 E - 1464	D - 318 E - 1564	D - 268 E - 1664	D - 218 E - 1764	D - 168 E - 1864	D - 689 E - 822	D - 668 E - 863	D - 648 E - 905	D - 627 E - 946
2300	D - 718 E - 864	D - 668 E - 964	D - 618 E - 1064	D - 568 E - 1164	D - 518 E - 1264	D - 468 E - 1364	D - 418 E - 1464	D - 368 E - 1564	D - 318 E - 1664	D - 268 E - 1764	D - 218 E - 1864	D - 168 E - 1964	D - 718 E - 863	D - 698 E - 905	D - 677 E - 946
2400	D - 768 E - 864	D - 718 E - 964	D - 668 E - 1064	D - 618 E - 1164	D - 568 E - 1264	D - 518 E - 1364	D - 468 E - 1464	D - 418 E - 1564	D - 368 E - 1664	D - 318 E - 1764	D - 268 E - 1864	D - 218 E - 1964	D - 168 E - 2064	D - 748 E - 905	D - 727 E - 946

HEIGHT

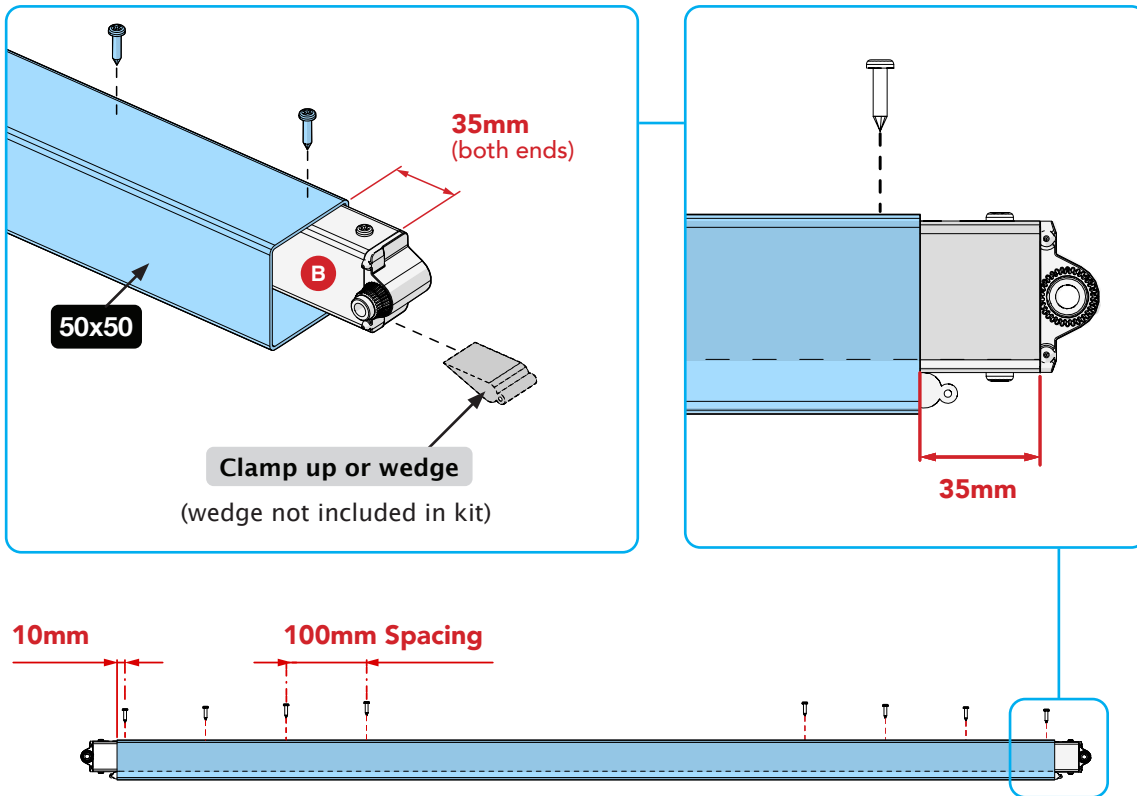
STEP 4



Extra Strong Rail Assembly

Telescopic member for strength

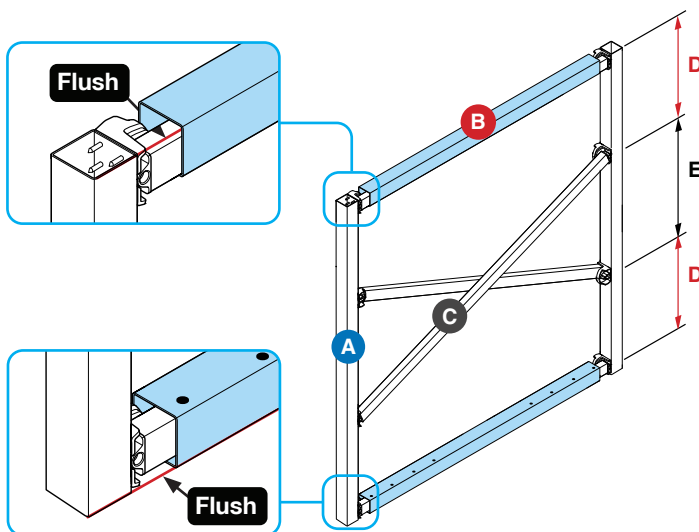
- Cut 50x50 length 70mm shorter than member **B**
- x8 Extra screws required per member



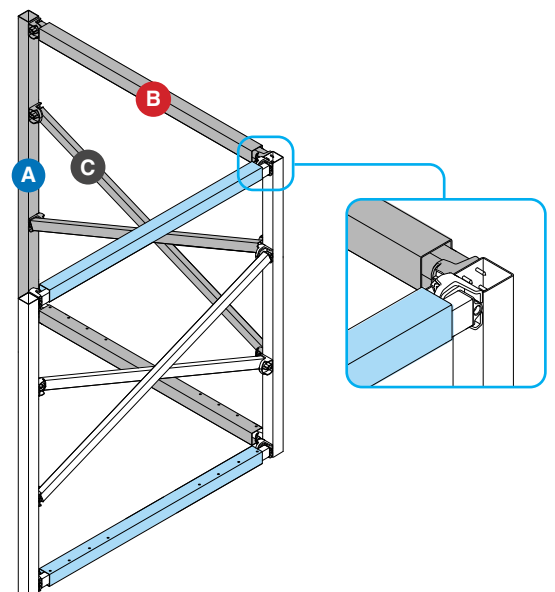
Start fixing screws from the end closest to the Rail Insert.
Temporary clamp or wedge to assist securing members together.

Easy Frame - Expandability

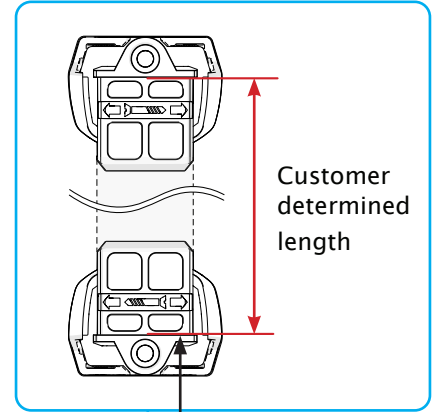
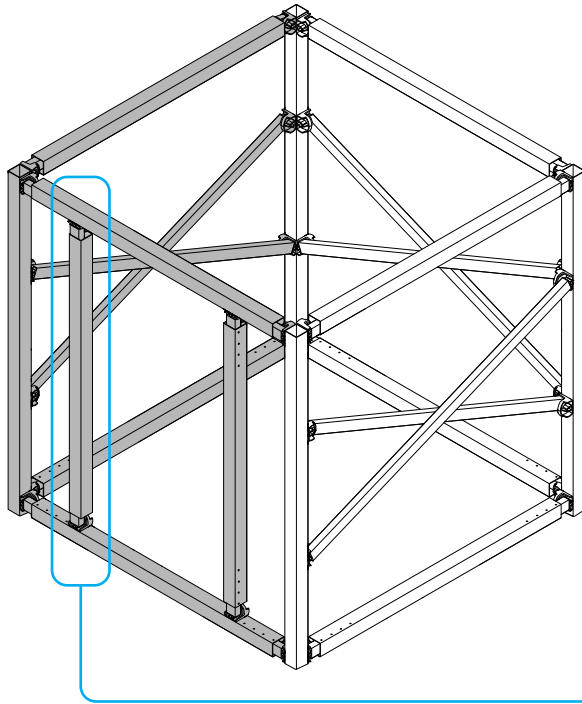
1. Extra Strong



2. Privacy Screen

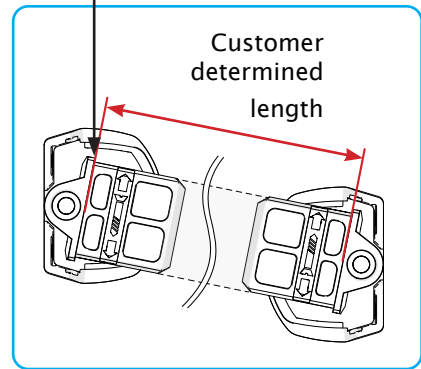
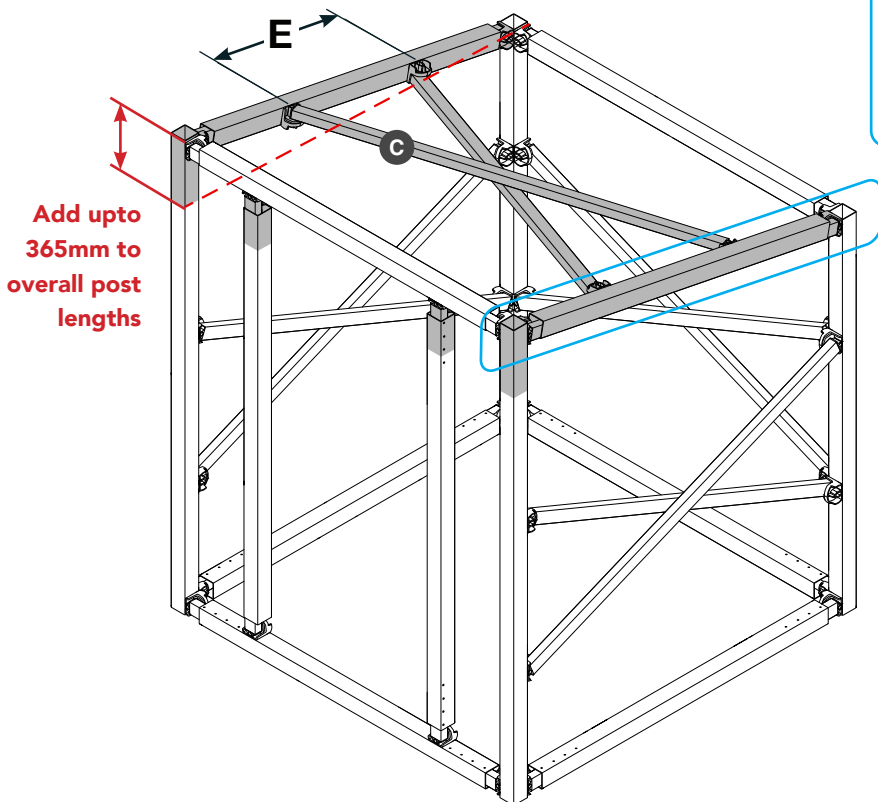


3. Enclosure with Door Frame

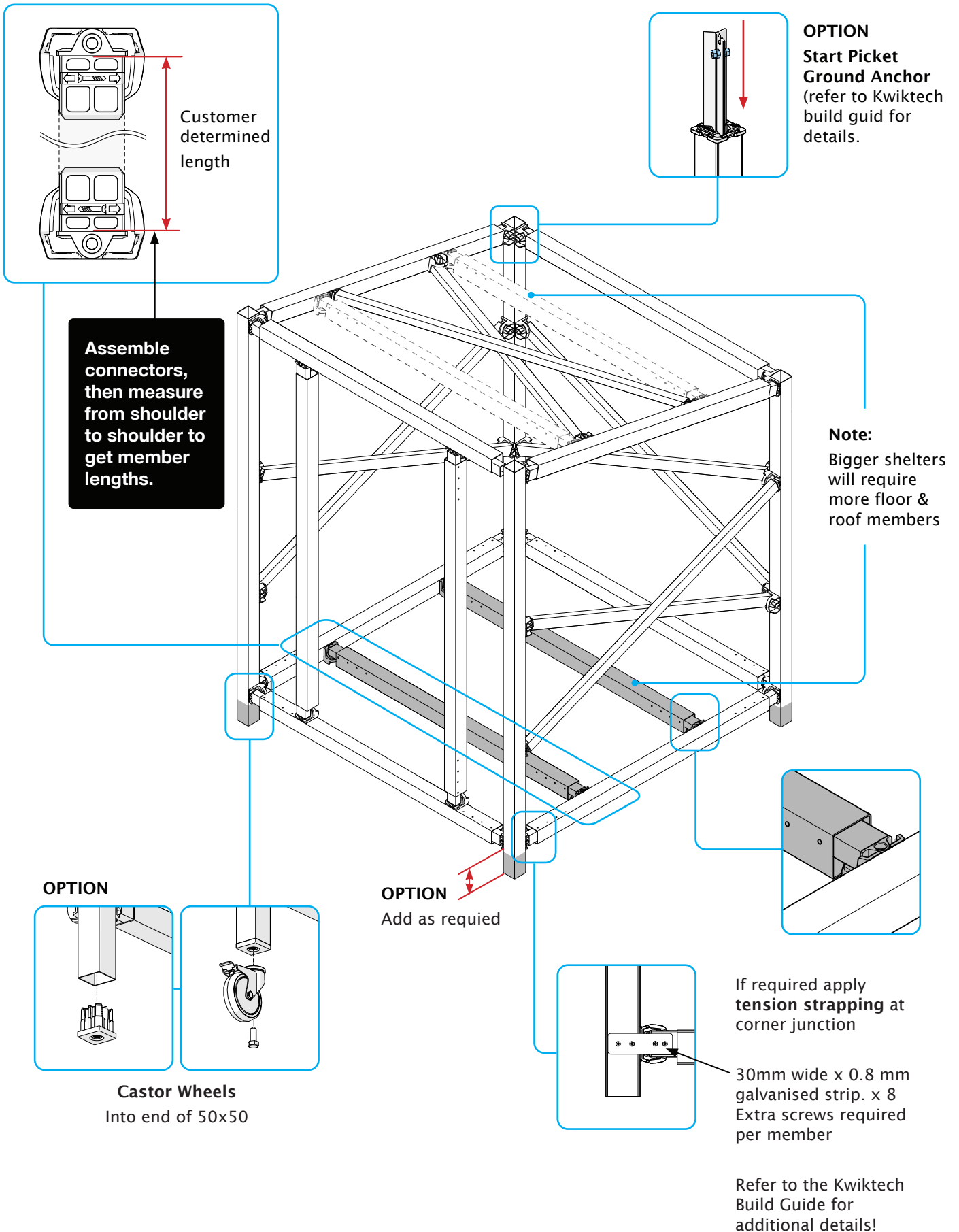


Assemble connectors, then measure from shoulder to shoulder to get member lengths.

4a. Pitched Roof Shelter



4b. Shelter with Floor & Feet



Customer determined length

Assemble connectors, then measure from shoulder to shoulder to get member lengths.

OPTION
Start Picket Ground Anchor (refer to Kwiktech build guid for details).

Note:
Bigger shelters will require more floor & roof members

OPTION

Castor Wheels
Into end of 50x50

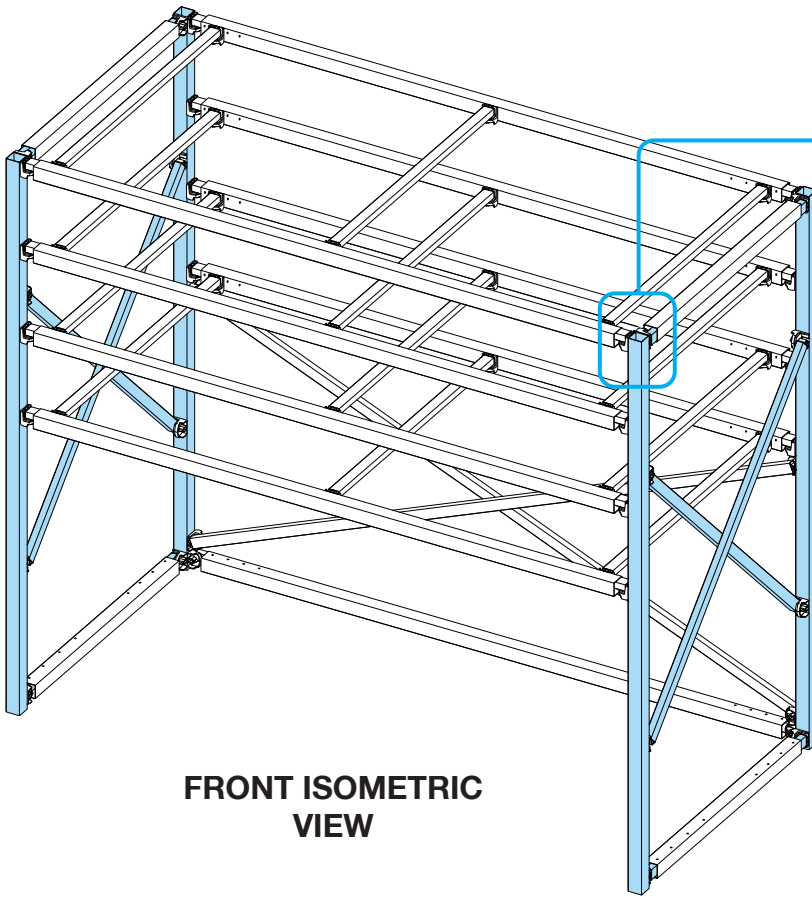
OPTION
Add as required

If required apply **tension strapping** at corner junction

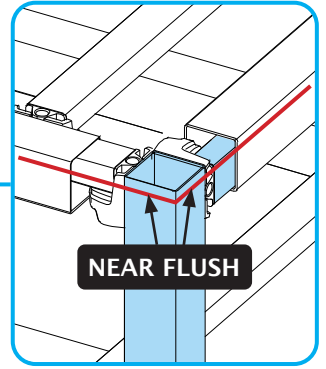
30mm wide x 0.8 mm galvanised strip. x 8
Extra screws required per member

Refer to the Kwiktech Build Guide for additional details!

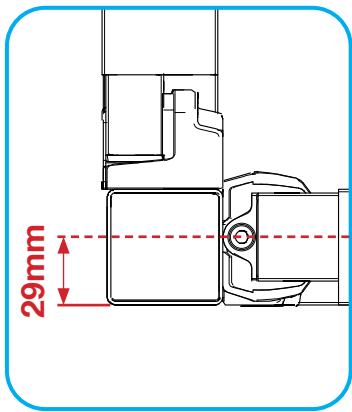
EASY FRAME SHELF



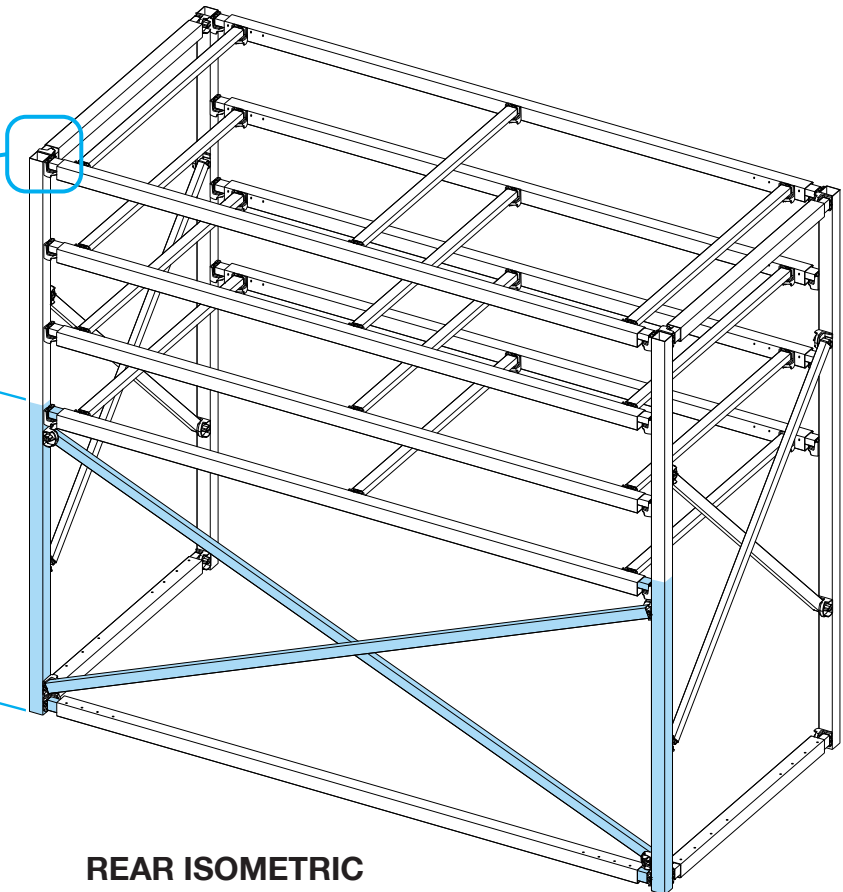
FRONT ISOMETRIC VIEW



EASY FRAME DIY
(SIZE EXAMPLE)
HEIGHT: 2000mm
WIDTH: 1100mm



EASY FRAME DIY
(SIZE EXAMPLE)
HEIGHT: 1100mm
WIDTH: 2300mm



REAR ISOMETRIC VIEW