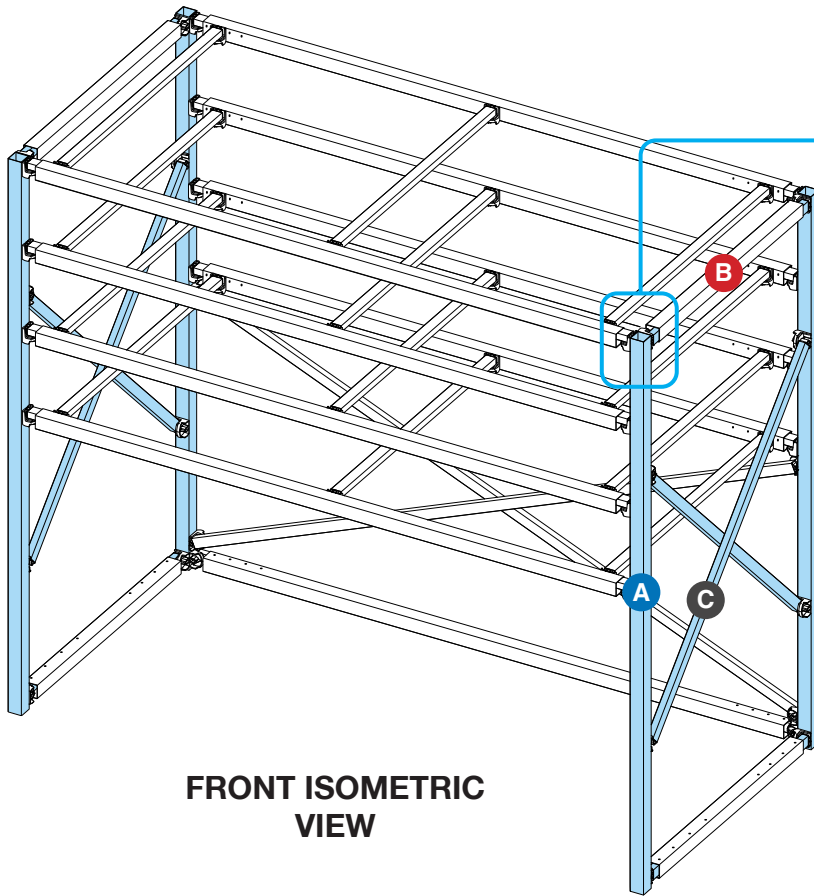
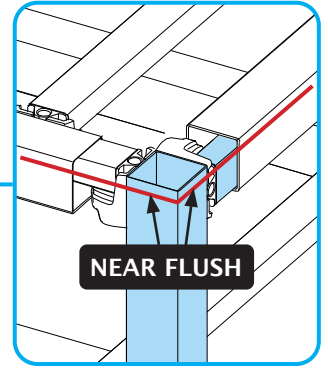


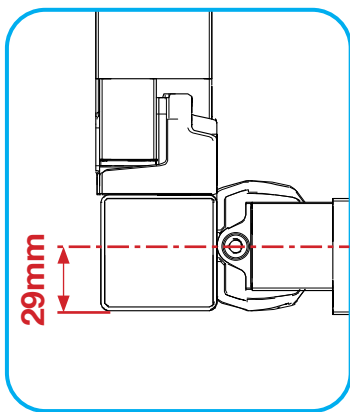
EASY FRAME SHELF



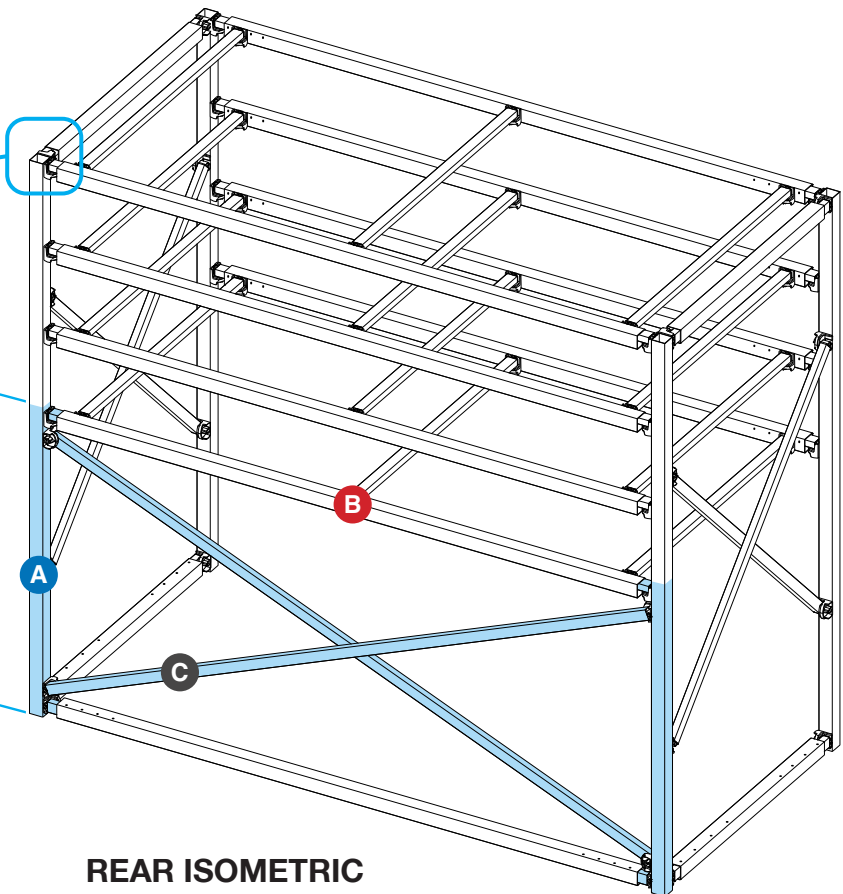
FRONT ISOMETRIC VIEW



EASY FRAME DIY
(SIZE EXAMPLE)
HEIGHT: 2000mm
WIDTH: 1100mm



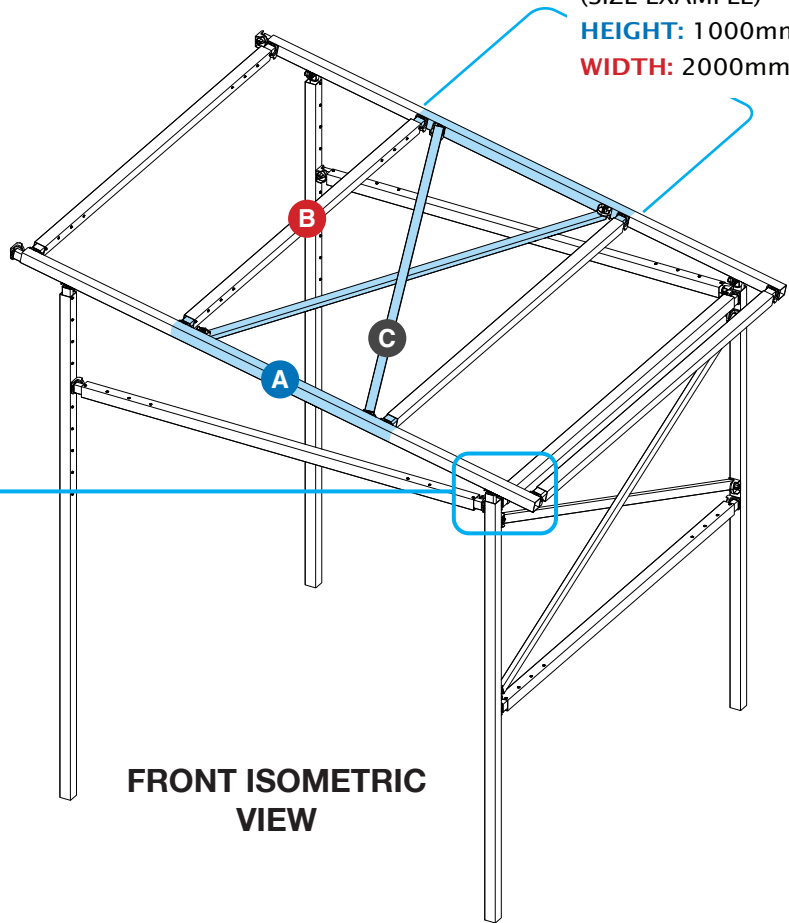
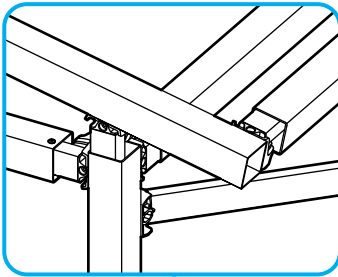
EASY FRAME DIY
(SIZE EXAMPLE)
HEIGHT: 1100mm
WIDTH: 2300mm



REAR ISOMETRIC VIEW

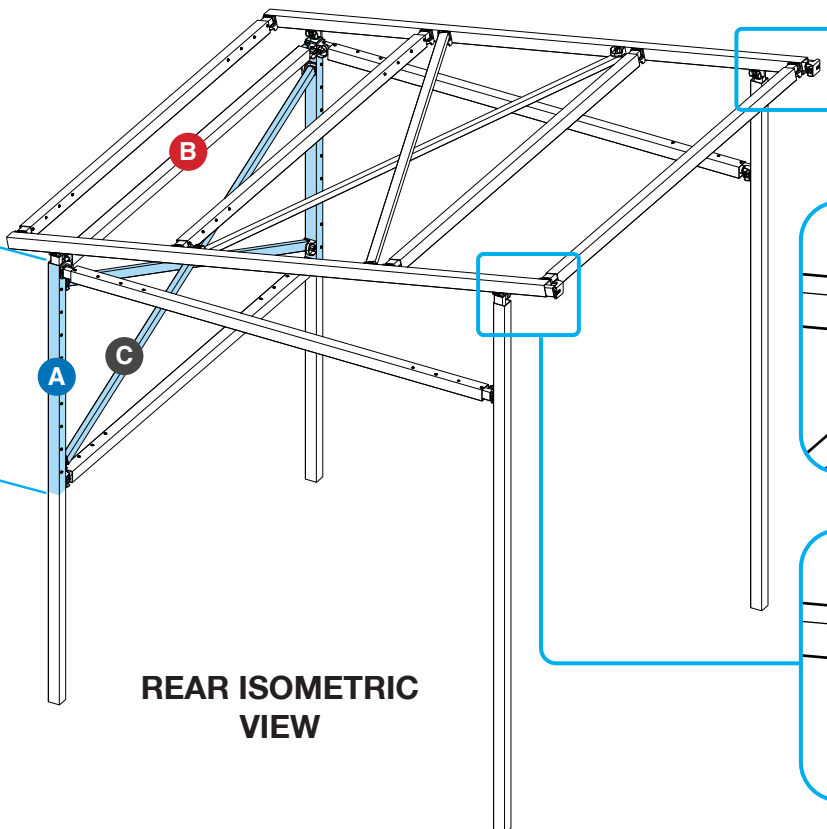
EASY FRAME LEAN-TO

EASY FRAME DIY
(SIZE EXAMPLE)
HEIGHT: 1000mm
WIDTH: 2000mm



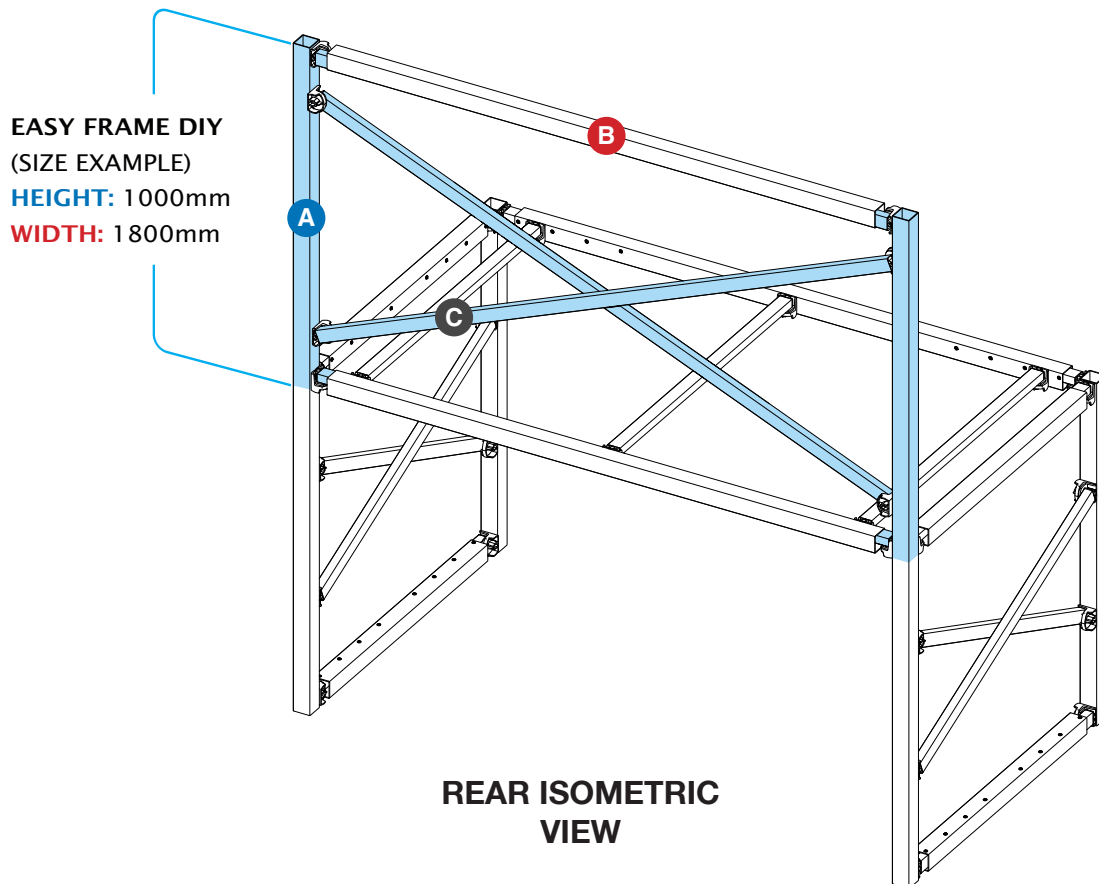
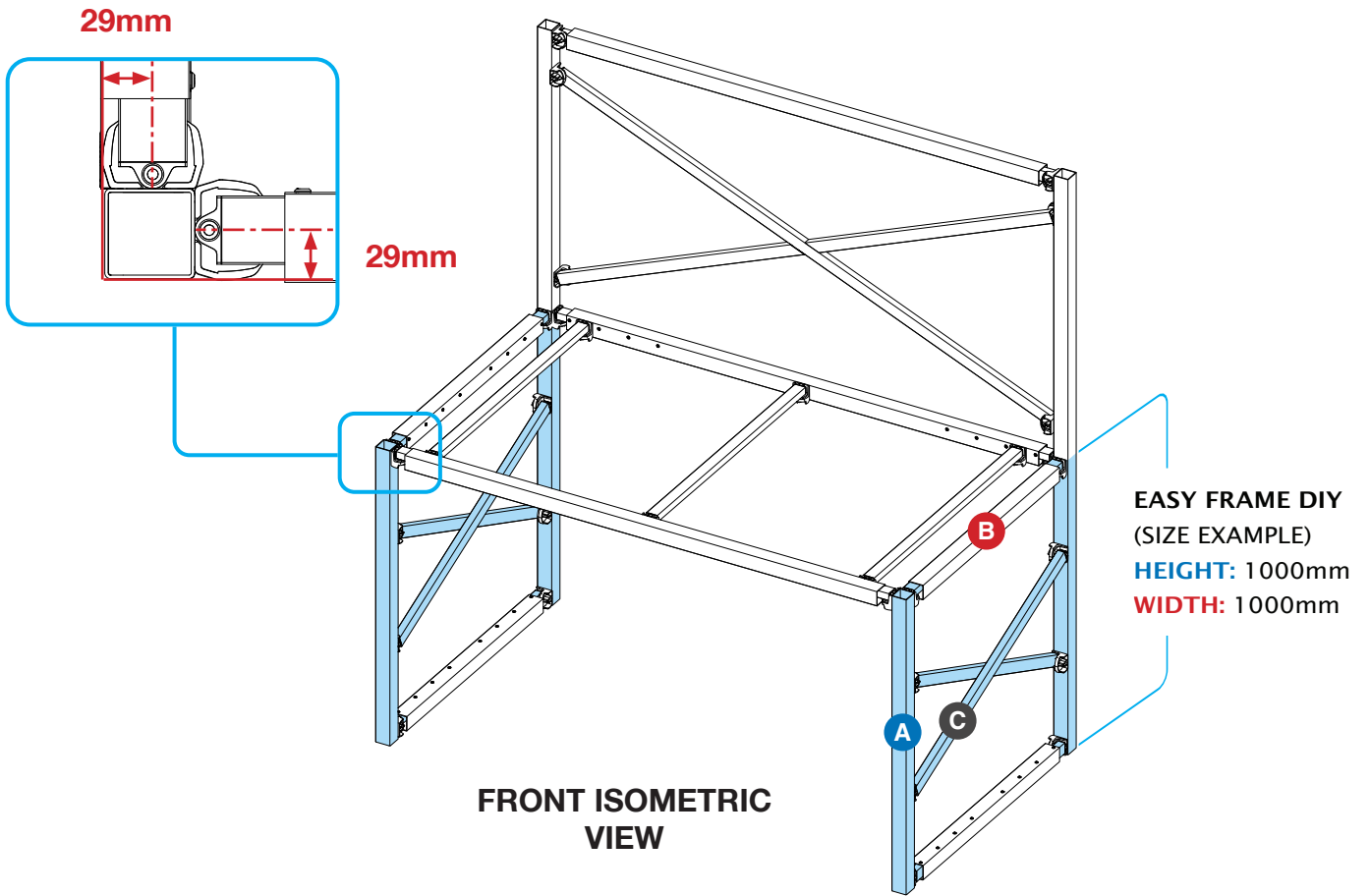
FRONT ISOMETRIC VIEW

EASY FRAME DIY
(SIZE EXAMPLE)
HEIGHT: 1000mm
WIDTH: 2000mm

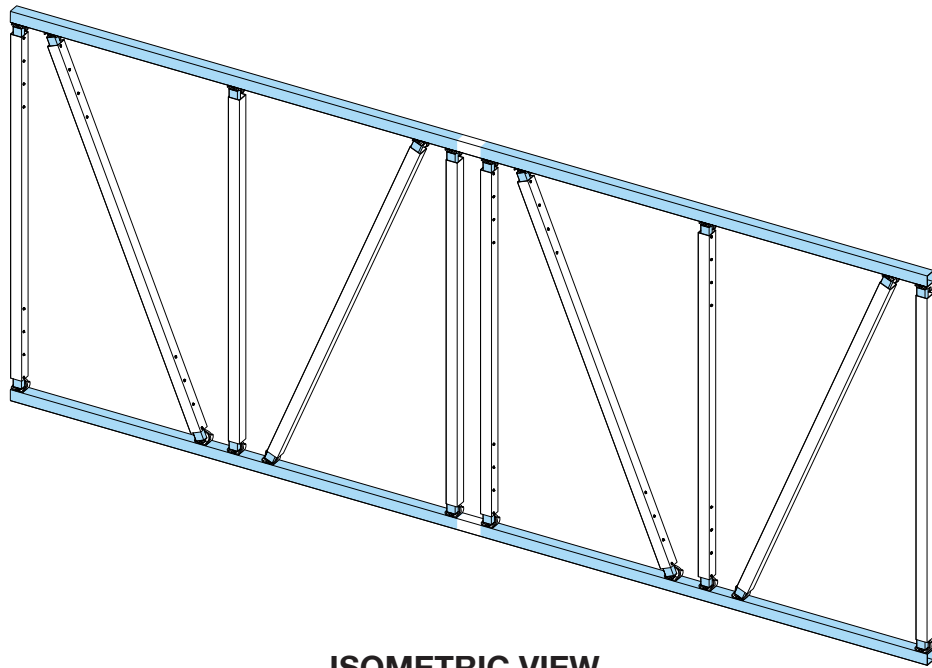


REAR ISOMETRIC VIEW

EASY FRAME WORKBENCH

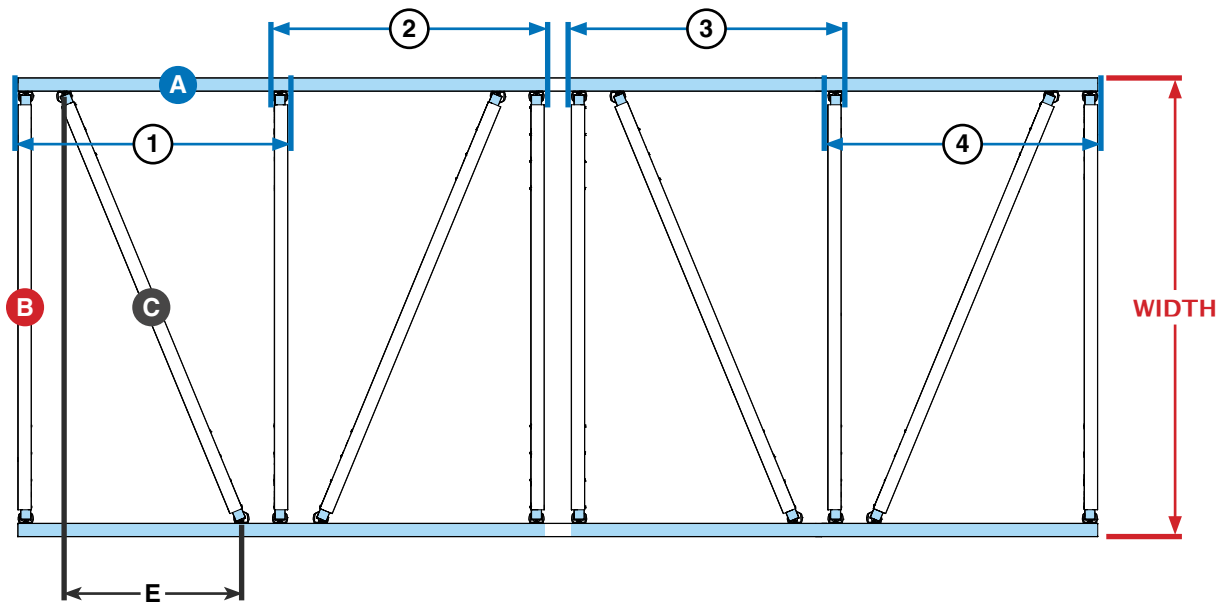


EASY FRAME SLIDING GATE



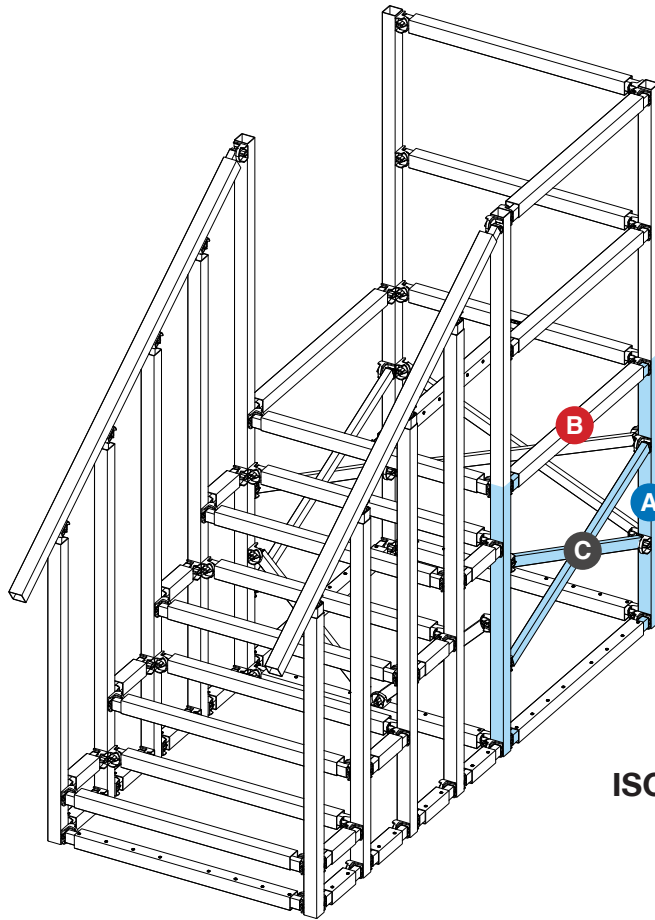
ISOMETRIC VIEW

EASY FRAME DIY
(SIZE EXAMPLE)
HEIGHT: 1000mm ①, ②, ③, ④
WIDTH: 1700mm



FRONT VIEW

EASY FRAME STAIRCASE



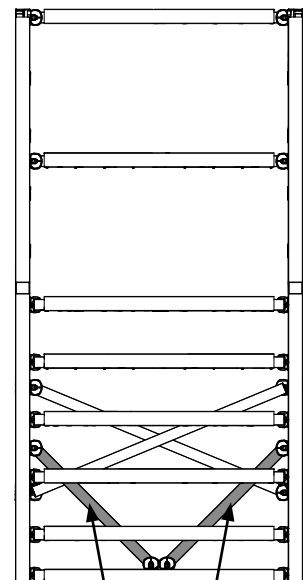
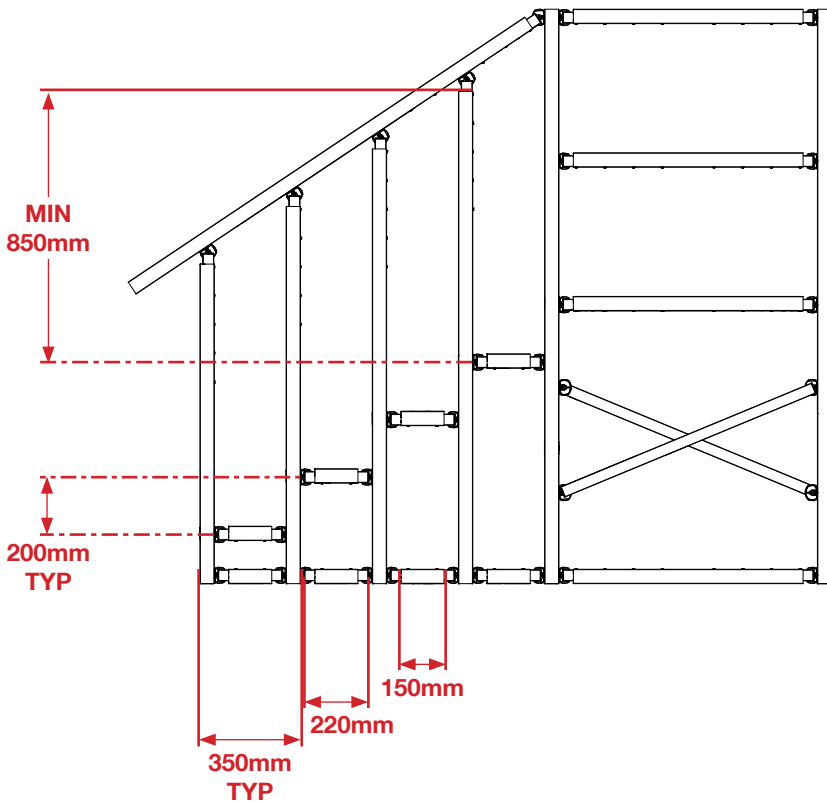
EASY FRAME DIY
(SIZE EXAMPLE)

HEIGHT: 1000mm

WIDTH: 1000mm

x3

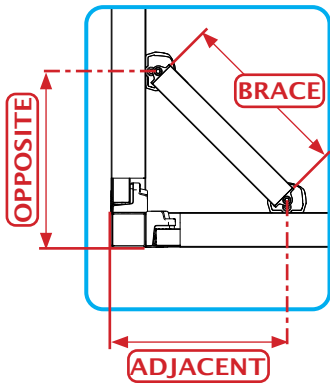
ISOMETRIC VIEW



Mid Braces

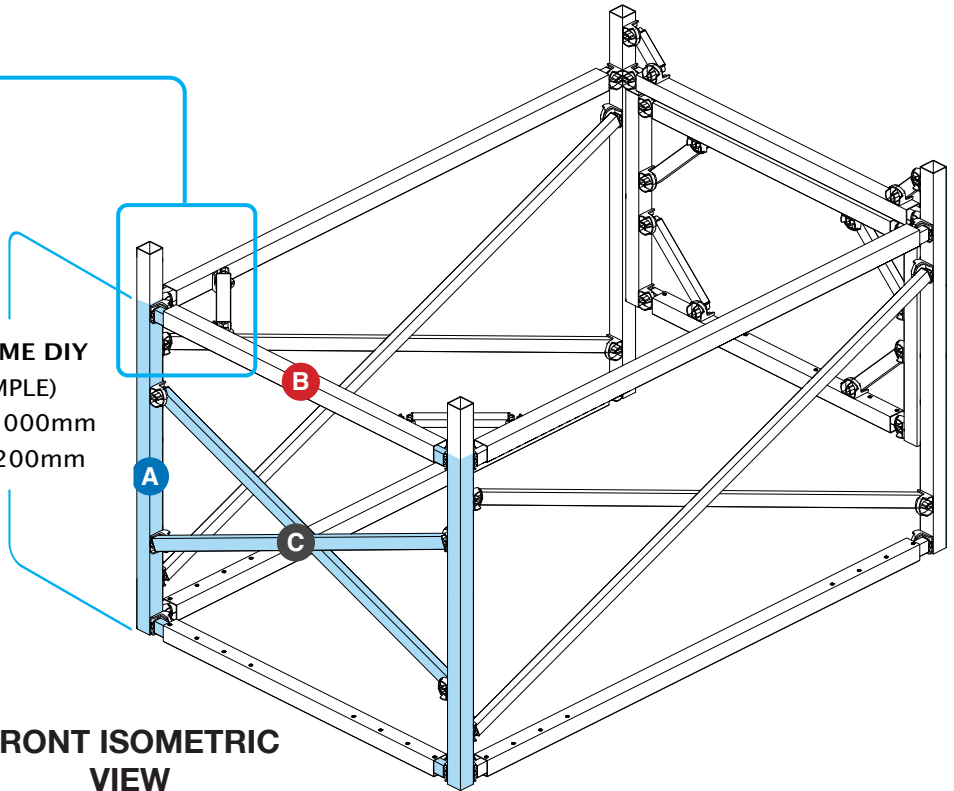
EASY FRAME TRAILER HURDLES

OPPOSITE & **ADJACENT** ARE THE SAME MEASUREMENT. **BRACE** LENGTH MEASUREMENT DETERMINED WHEN CORNER IS SQUARE.

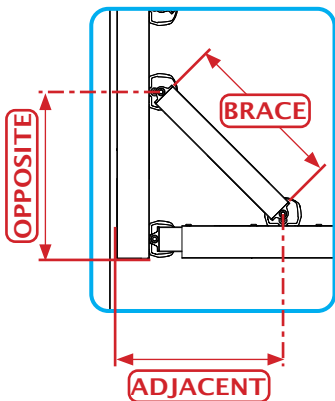
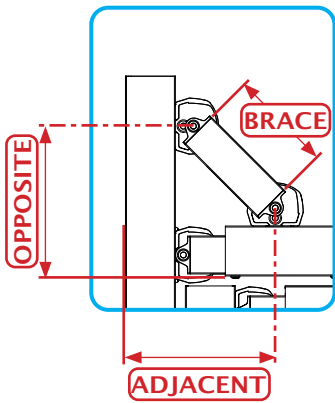


EASY FRAME DIY
(SIZE EXAMPLE)
HEIGHT: 1000mm
WIDTH: 1200mm

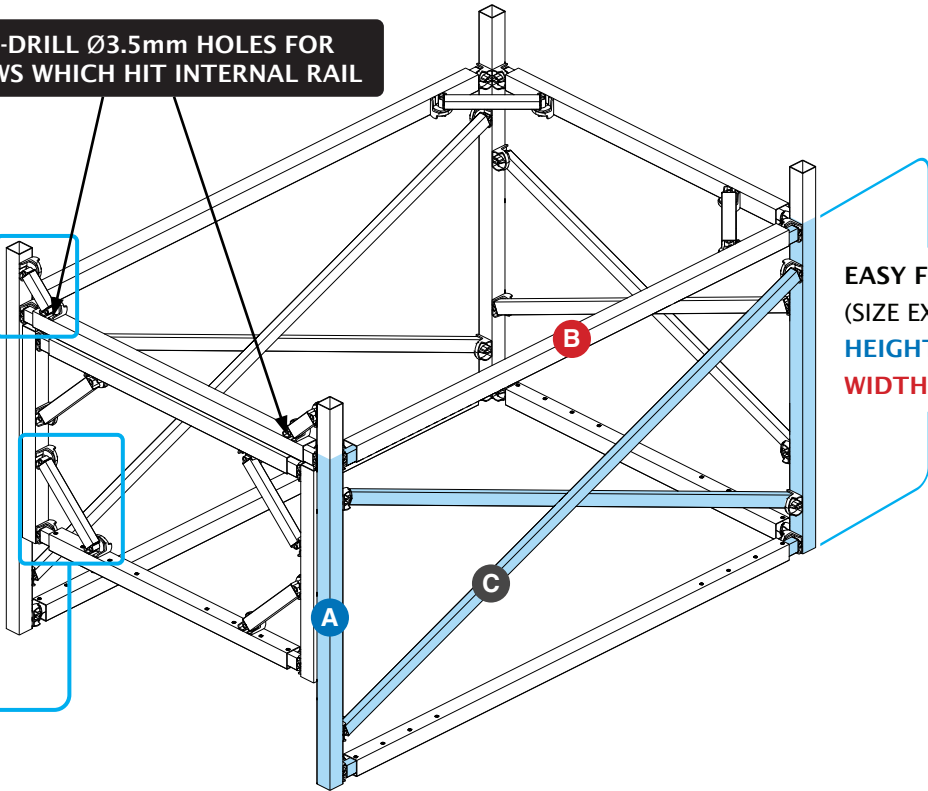
FRONT ISOMETRIC VIEW



PRE-DRILL Ø3.5mm HOLES FOR SCREWS WHICH HIT INTERNAL RAIL

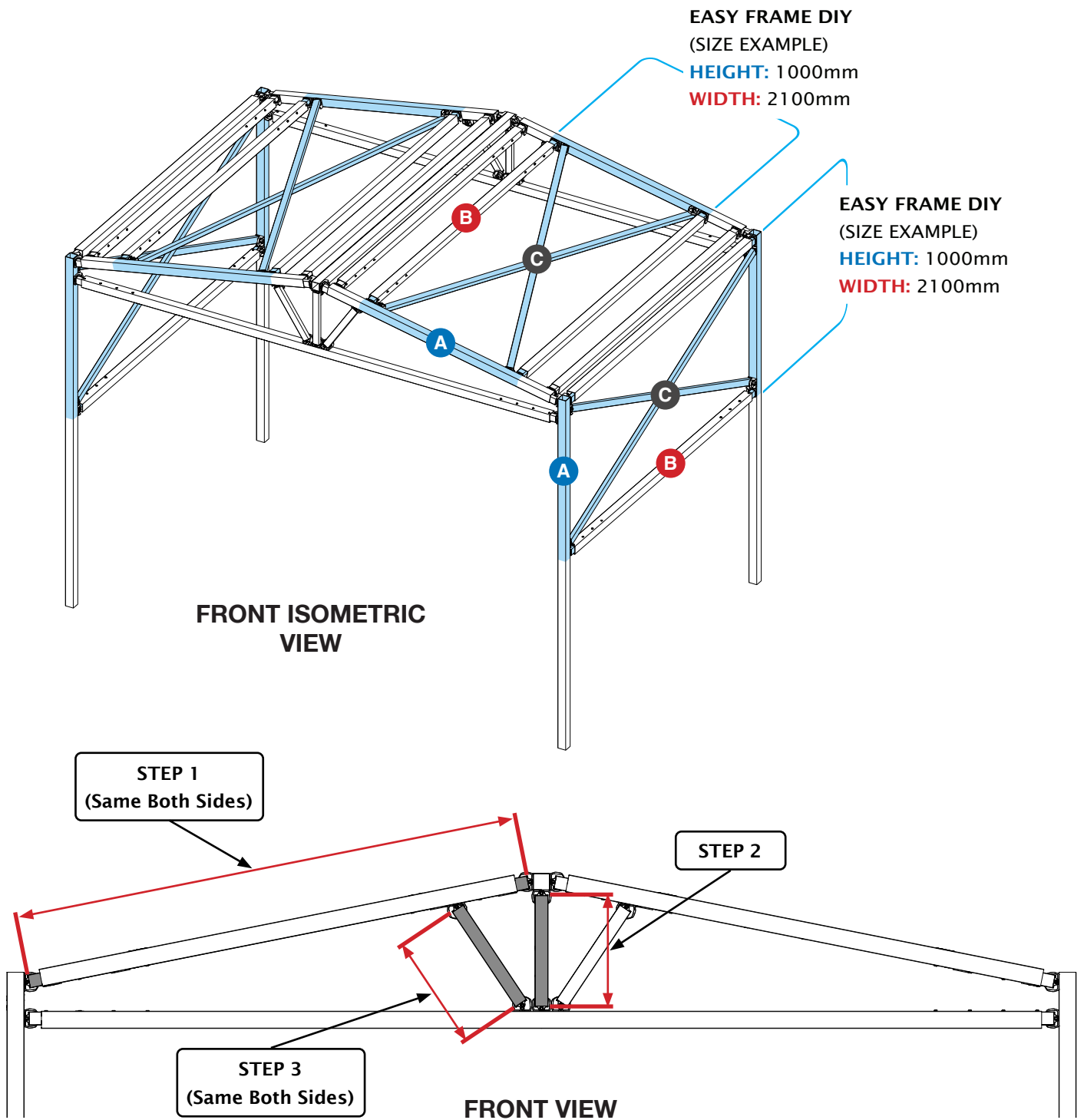


REAR ISOMETRIC VIEW



EASY FRAME DIY
(SIZE EXAMPLE)
HEIGHT: 1000mm
WIDTH: 1800mm

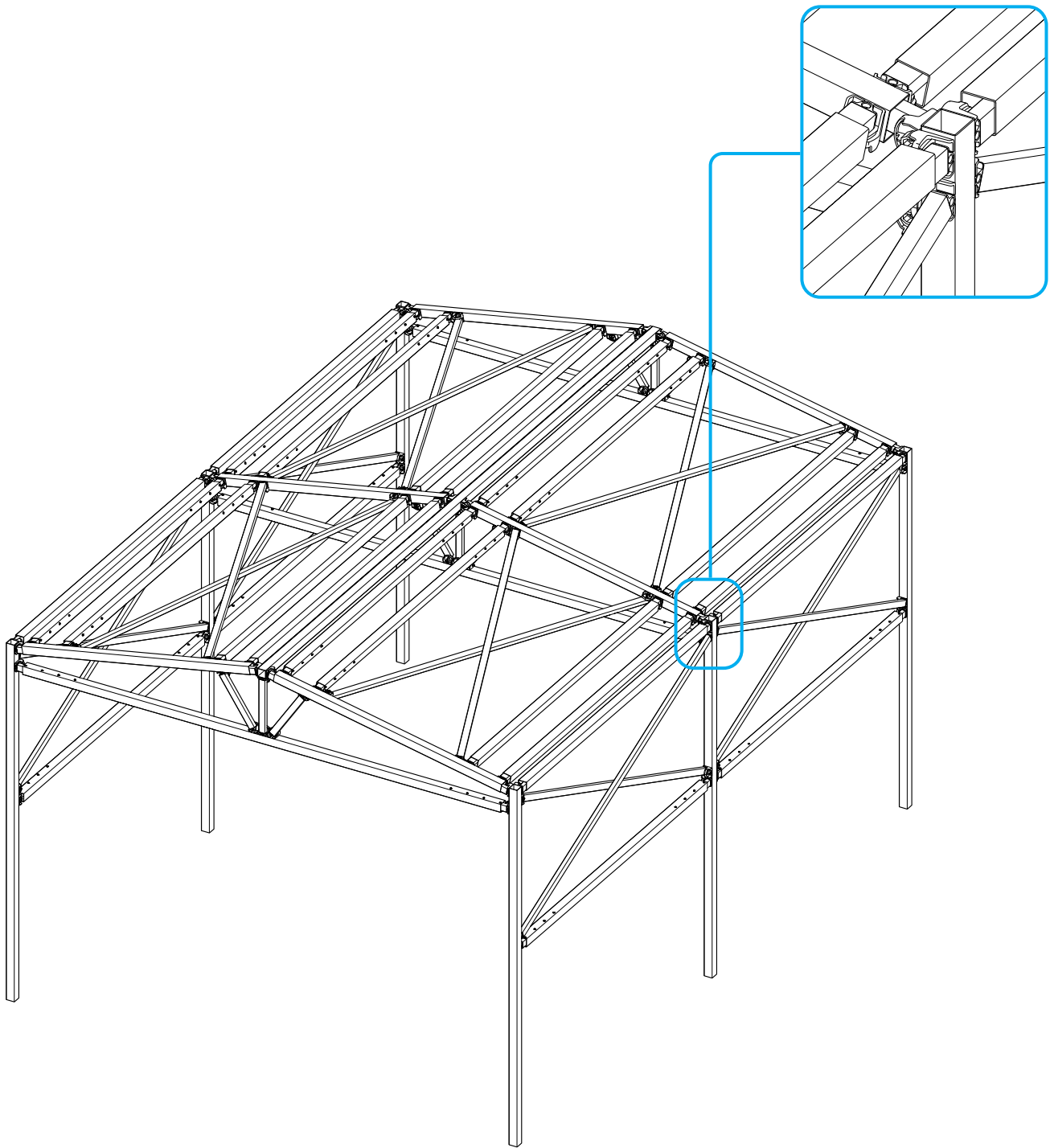
EASY FRAME GABLE ROOF



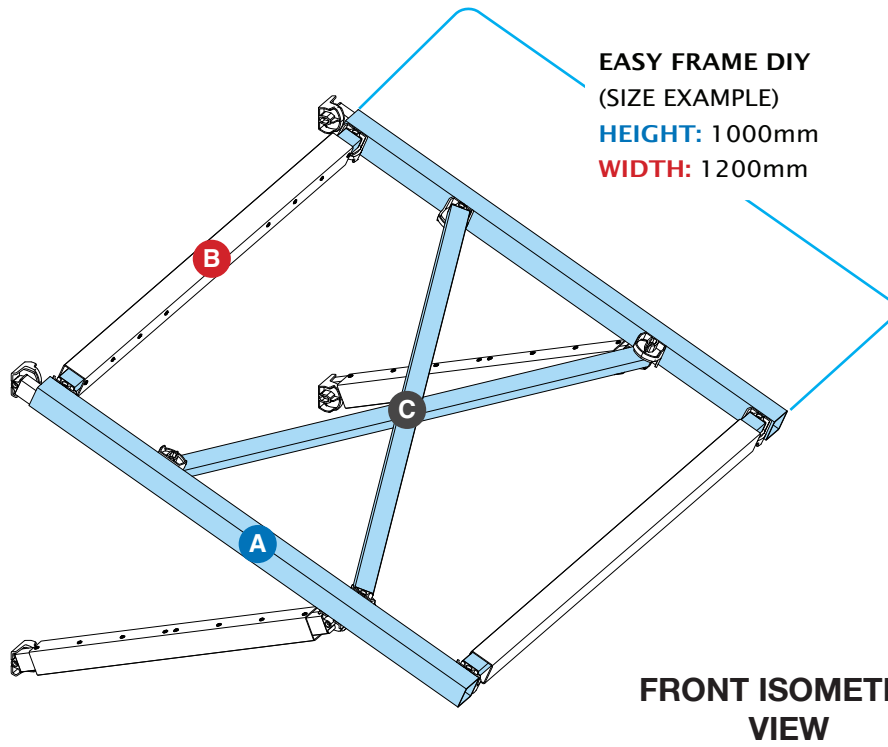
- STEP 1:** Layout gable section on ground first to determine roof member lengths from your selected width.
- STEP 2:** Determine centre member length.
- STEP 3:** Determine brace lengths and Universal Connector placement from connection angles.

Ensure Brace lengths and Universal Connector placements are the same both sides for a symmetrical build.

EASY FRAME GABLE ROOF EXTENSION

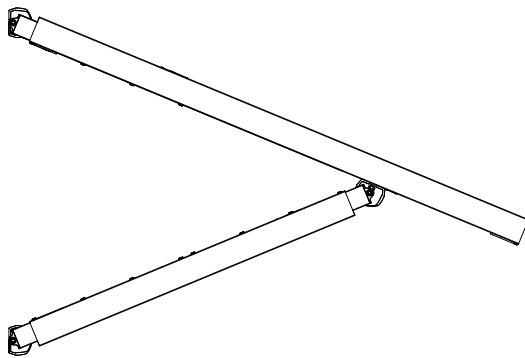


EASY FRAME WINDOW AWNING

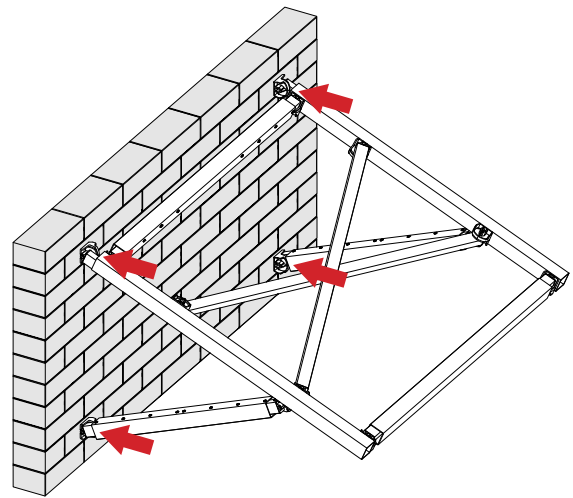


EASY FRAME DIY
(SIZE EXAMPLE)
HEIGHT: 1000mm
WIDTH: 1200mm

FRONT ISOMETRIC
VIEW



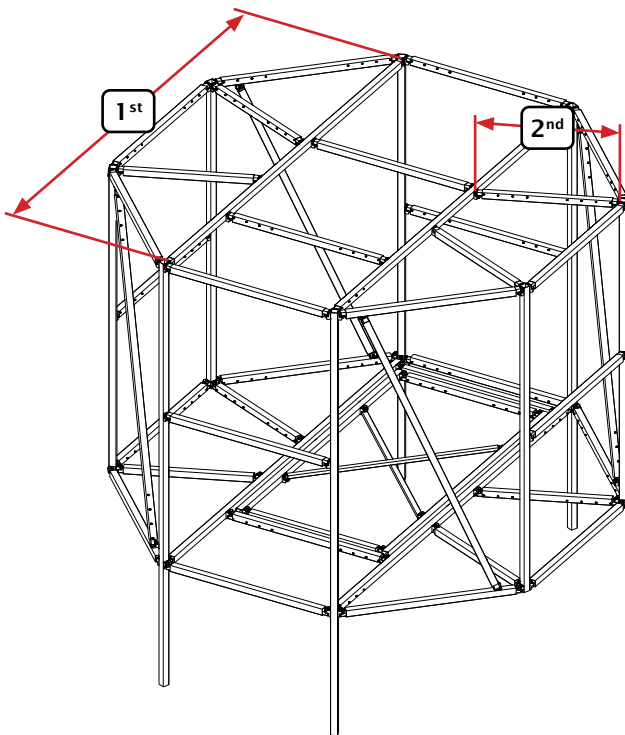
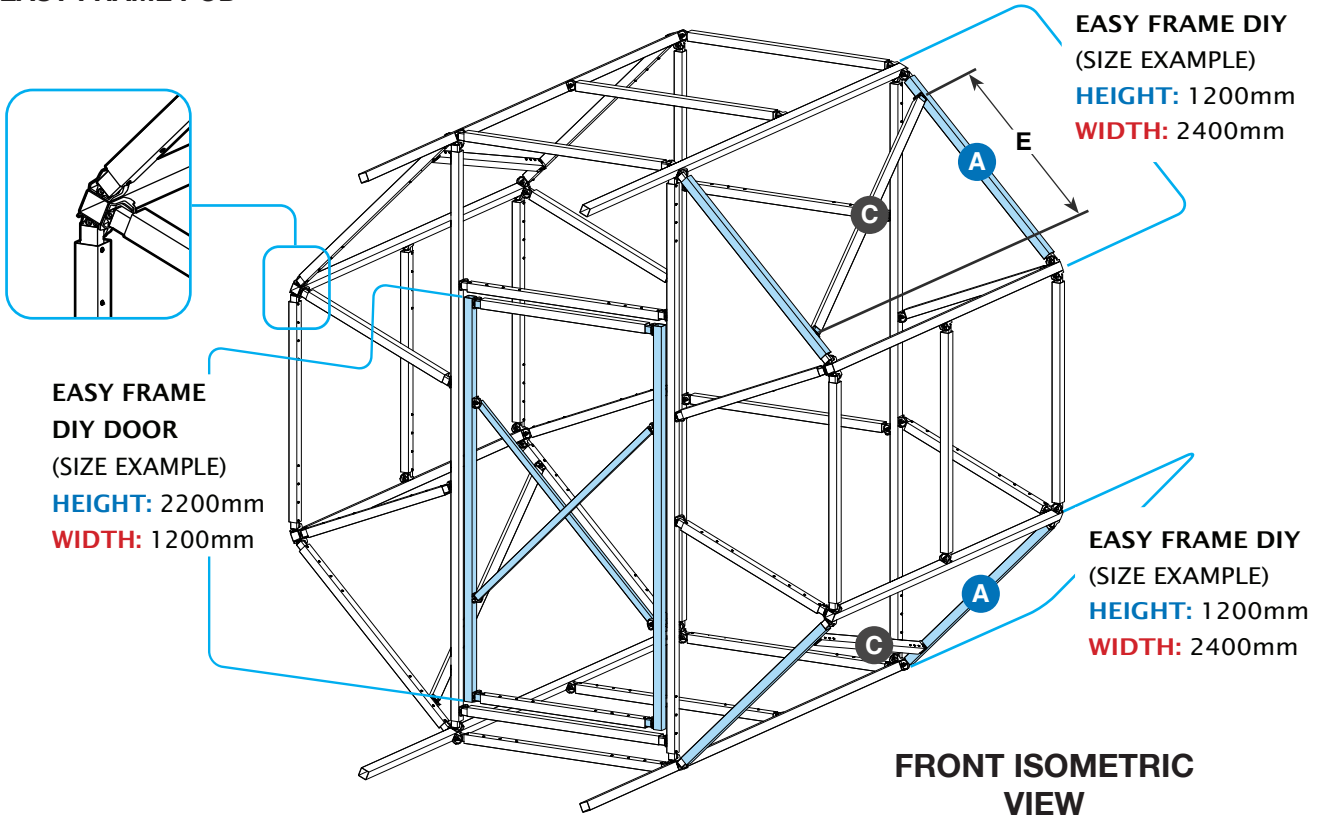
Determine brace lengths and Universal Connector placement from connection angles.



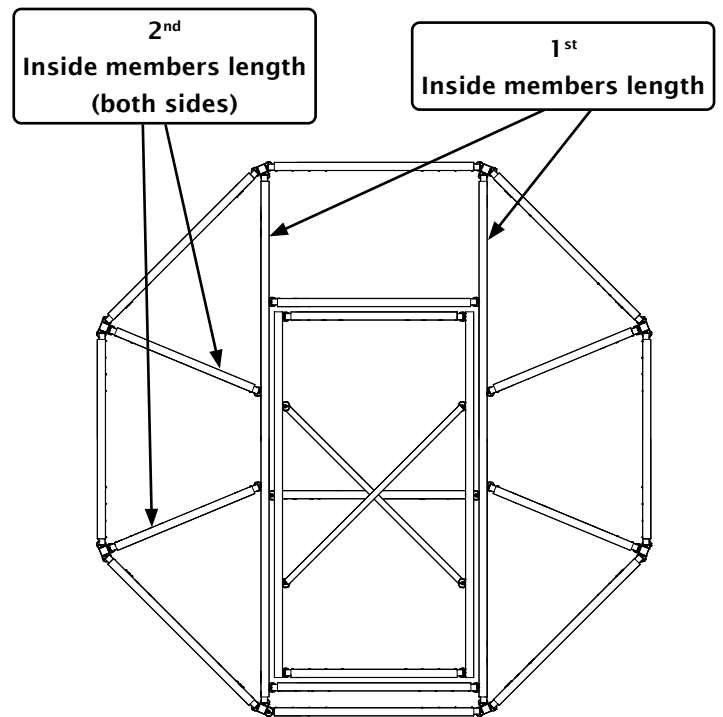
Fix to any surface using screws best suited for the surface.

Ensure Brace lengths and Universal Connector placements are the same both sides for a symmetrical build.

EASY FRAME POD



STEP 1: Build perimeter first on end and then determine inside member lengths



STEP 2: Only turn over the Pod once all inside members are installed

Ensure Brace lengths and Universal Connector placements are the same both sides for a symmetrical build.