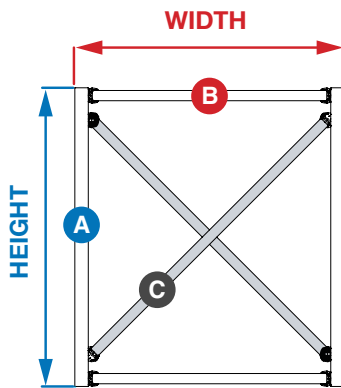


EASY FRAME DIY



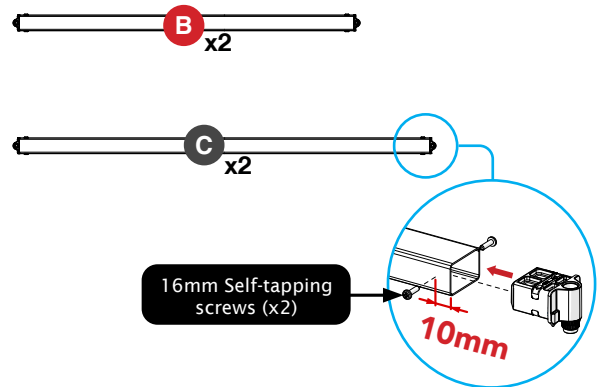
Build your own custom made frame using only a tape measure & standard power tools.

STEP 1



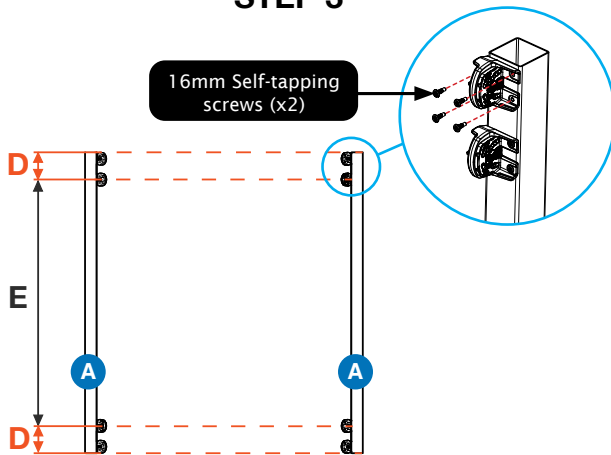
Measure the overall dimensions of your desired frame and find the cut-lengths for the hollow sections in the **CUT LIST TABLE** on Page 1.

STEP 2



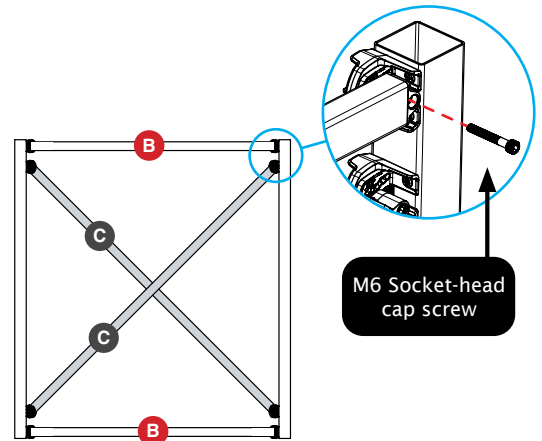
Insert the rail connectors into each end of the **RHS (38x25)** then fix with the Self-tapping screws provided.

STEP 3



Find the required positioning for the Universal connectors from the **CONNECTOR POSITIONING TABLE** on Page 2 and fix with the provided Self tapping screws

STEP 4



Connect your framework together as shown and secure each connection with the provided **M6 Socket-head Cap Locking Screw**.



100% Australian Owned & Made



Clad on Both Sides



No Experience Required



3 x Faster than Welding



NATA / ISO Load Ratings



11 Available Locking Angles



Standard Power Tools



Build Square Every Time



Easy DIY Framework



High Temp. Working Range



Nylon 6 Thermoplastic



Ultra Violet Protection

kwiktech

STEP 1

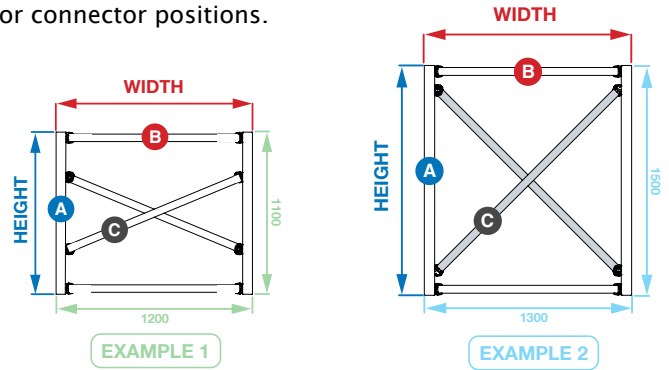
Simply purchase your Kwiktech 'DIY Square Kit' from [Kwiktech's website](#) or your [local stockist](#), select your size framework (**HEIGHT & WIDTH**) and refer to the **CUT LIST TABLE** below for member lengths.



Purchase your steel or aluminium members; **A**, **B** & **C** from your local metal supplier and refer to the **CONNECTOR POSITIONING TABLE** on page 2 for connector positions.

HARDWARE TABLE

Qty		Either Aluminium or DuraGal (Steel)
2x	A	50x50x1.5mm to 2.5mm THK SHS
2x	B	38x25x1.2mm to 1.6mm THK RHS
2x	C	38x25x1.2mm to 1.6mm THK RHS



CUT LIST TABLE

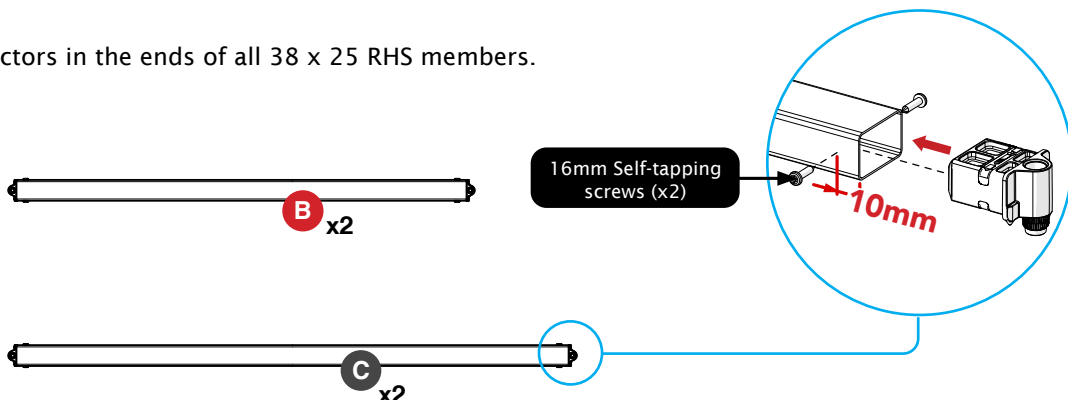
Intersect table to determine your member lengths.

(mm)	WIDTH														
	1000	1100	1200 EXAMPLE 1	1300 EXAMPLE 2	1400	1500	1600	1700	1800	1900	2000	2100	2200	2300	2400
1000	B - 870 C - 943	B - 970 C - 1051	B - 1070 C - 1160	B - 1170 C - 1268	B - 1270 C - 1376	B - 1370 C - 1484	B - 1470 C - 1593	B - 1570 C - 1701	B - 1670 C - 1809	B - 1770 C - 1917	B - 1870 C - 2026	B - 1970 C - 2134	N/A	N/A	N/A
1100 EXAMPLE 1	B - 870 C - 943	B - 970 C - 1051	B - 1070 C - 1160	B - 1170 C - 1268	B - 1270 C - 1376	B - 1370 C - 1484	B - 1470 C - 1593	B - 1570 C - 1701	B - 1670 C - 1809	B - 1770 C - 1917	B - 1870 C - 2026	B - 1970 C - 2134	B - 2070 C - 2242	B - 2170 C - 2350	N/A
1200	B - 870 C - 1208	B - 970 C - 1051	B - 1070 C - 1160	B - 1170 C - 1268	B - 1270 C - 1376	B - 1370 C - 1484	B - 1470 C - 1593	B - 1570 C - 1701	B - 1670 C - 1809	B - 1770 C - 1917	B - 1870 C - 2026	B - 1970 C - 2134	B - 2070 C - 2242	B - 2170 C - 2350	B - 2270 C - 2459
1300	B - 870 C - 1208	B - 970 C - 1350	B - 1070 C - 1160	B - 1170 C - 1268	B - 1270 C - 1376	B - 1370 C - 1484	B - 1470 C - 1593	B - 1570 C - 1701	B - 1670 C - 1809	B - 1770 C - 1917	B - 1870 C - 2026	B - 1970 C - 2134	B - 2070 C - 2242	B - 2170 C - 2350	B - 2270 C - 2459
1400	B - 870 C - 1208	B - 970 C - 1350	B - 1070 C - 1491	B - 1170 C - 1268	B - 1270 C - 1376	B - 1370 C - 1484	B - 1470 C - 1593	B - 1570 C - 1701	B - 1670 C - 1809	B - 1770 C - 1917	B - 1870 C - 2026	B - 1970 C - 2134	B - 2070 C - 2242	B - 2170 C - 2350	B - 2270 C - 2459
1500 EXAMPLE 2	B - 870 C - 1208	B - 970 C - 1350	B - 1070 C - 1491	B - 1170 C - 1632	B - 1270 C - 1376	B - 1370 C - 1484	B - 1470 C - 1593	B - 1570 C - 1701	B - 1670 C - 1809	B - 1770 C - 1917	B - 1870 C - 2026	B - 1970 C - 2134	B - 2070 C - 2242	B - 2170 C - 2350	B - 2270 C - 2459
1600	B - 870 C - 1208	B - 970 C - 1350	B - 1070 C - 1491	B - 1170 C - 1632	B - 1270 C - 1774	B - 1370 C - 1484	B - 1470 C - 1593	B - 1570 C - 1701	B - 1670 C - 1809	B - 1770 C - 1917	B - 1870 C - 2026	B - 1970 C - 2134	B - 2070 C - 2242	B - 2170 C - 2350	B - 2270 C - 2459
1700	B - 870 C - 1208	B - 970 C - 1350	B - 1070 C - 1491	B - 1170 C - 1632	B - 1270 C - 1774	B - 1370 C - 1915	B - 1470 C - 1593	B - 1570 C - 1701	B - 1670 C - 1809	B - 1770 C - 1917	B - 1870 C - 2026	B - 1970 C - 2134	B - 2070 C - 2242	B - 2170 C - 2350	B - 2270 C - 2459
1800	B - 870 C - 1208	B - 970 C - 1350	B - 1070 C - 1491	B - 1170 C - 1632	B - 1270 C - 1774	B - 1370 C - 1915	B - 1470 C - 2057	B - 1570 C - 1701	B - 1670 C - 1809	B - 1770 C - 1917	B - 1870 C - 2026	B - 1970 C - 2134	B - 2070 C - 2242	B - 2170 C - 2350	B - 2270 C - 2459
1900	B - 870 C - 1208	B - 970 C - 1350	B - 1070 C - 1491	B - 1170 C - 1632	B - 1270 C - 1774	B - 1370 C - 1915	B - 1470 C - 2057	B - 1570 C - 2198	B - 1670 C - 1809	B - 1770 C - 1917	B - 1870 C - 2026	B - 1970 C - 2134	B - 2070 C - 2242	B - 2170 C - 2350	B - 2270 C - 2459
2000	B - 870 C - 1208	B - 970 C - 1350	B - 1070 C - 1491	B - 1170 C - 1632	B - 1270 C - 1774	B - 1370 C - 1915	B - 1470 C - 2057	B - 1570 C - 2198	B - 1670 C - 2340	B - 1770 C - 1917	B - 1870 C - 2026	B - 1970 C - 2134	B - 2070 C - 2242	B - 2170 C - 2350	B - 2270 C - 2459
2100	B - 870 C - 1208	B - 970 C - 1350	B - 1070 C - 1491	B - 1170 C - 1632	B - 1270 C - 1774	B - 1370 C - 1915	B - 1470 C - 2057	B - 1570 C - 2198	B - 1670 C - 2340	B - 1770 C - 2481	B - 1870 C - 2026	B - 1970 C - 2134	B - 2070 C - 2242	B - 2170 C - 2350	B - 2270 C - 2459
2200	B - 870 C - 1208	B - 970 C - 1350	B - 1070 C - 1491	B - 1170 C - 1632	B - 1270 C - 1774	B - 1370 C - 1915	B - 1470 C - 2057	B - 1570 C - 2198	B - 1670 C - 2340	B - 1770 C - 2481	B - 1870 C - 2622	B - 1970 C - 2134	B - 2070 C - 2242	B - 2170 C - 2350	B - 2270 C - 2459
2300	B - 870 C - 1208	B - 970 C - 1350	B - 1070 C - 1491	B - 1170 C - 1632	B - 1270 C - 1774	B - 1370 C - 1915	B - 1470 C - 2057	B - 1570 C - 2198	B - 1670 C - 2340	B - 1770 C - 2481	B - 1870 C - 2622	B - 1970 C - 2764	B - 2070 C - 2242	B - 2170 C - 2350	B - 2270 C - 2459
2400	B - 870 C - 1208	B - 970 C - 1350	B - 1070 C - 1491	B - 1170 C - 1632	B - 1270 C - 1774	B - 1370 C - 1915	B - 1470 C - 2057	B - 1570 C - 2198	B - 1670 C - 2340	B - 1770 C - 2481	B - 1870 C - 2622	B - 1970 C - 2764	B - 2070 C - 2905	B - 2170 C - 2350	B - 2270 C - 2459

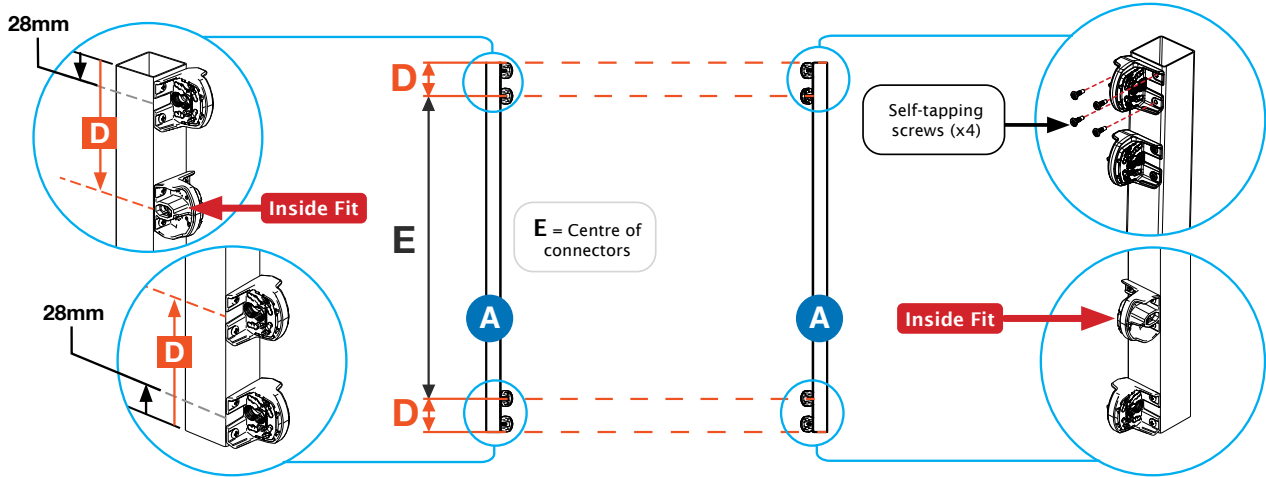
Member lengths tolerance ±2mm

STEP 2

Install Rail Connectors in the ends of all 38 x 25 RHS members.



STEP 3



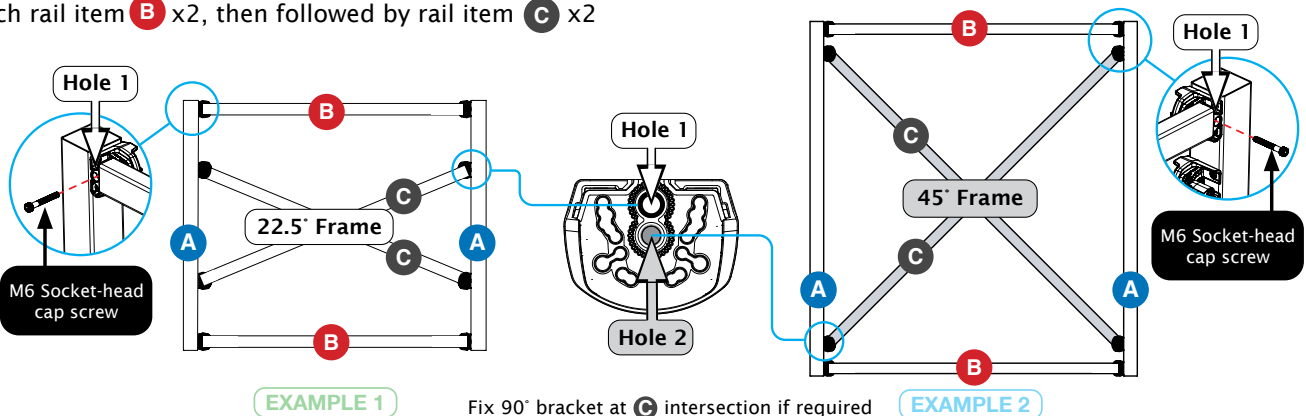
CONNECTOR POSITIONING TABLE

Intersect table to determine your measurements.

		WIDTH														
		1000	1100	1200 <small>EXAMPLE 1</small>	1300 <small>EXAMPLE 2</small>	1400	1500	1600	1700	1800	1900	2000	2100	2200	2300	2400
HEIGHT <small>A</small>	1000	D - 317 E - 366	D - 296 E - 408	D - 275 E - 449	D - 255 E - 490	D - 234 E - 532	D - 213 E - 573	D - 193 E - 615	D - 172 E - 656	D - 151 E - 698	D - 131 E - 739	D - 110 E - 780	D - 89 E - 822	N/A	N/A	N/A
	1100 <small>EXAMPLE 1</small>	D - 367 E - 366	D - 346 E - 408	D - 325 E - 449	D - 305 E - 490	D - 284 E - 532	D - 263 E - 573	D - 243 E - 615	D - 222 E - 656	D - 201 E - 698	D - 181 E - 739	D - 160 E - 780	D - 139 E - 822	D - 118 E - 863	D - 98 E - 905	N/A
	1200	D - 168 E - 864	D - 396 E - 408	D - 375 E - 449	D - 355 E - 490	D - 334 E - 532	D - 313 E - 573	D - 293 E - 615	D - 272 E - 656	D - 251 E - 698	D - 231 E - 739	D - 210 E - 780	D - 189 E - 822	D - 168 E - 863	D - 148 E - 905	D - 127 E - 946
	1300	D - 218 E - 864	D - 168 E - 964	D - 425 E - 449	D - 405 E - 490	D - 384 E - 532	D - 363 E - 573	D - 343 E - 615	D - 322 E - 656	D - 301 E - 698	D - 281 E - 739	D - 260 E - 780	D - 239 E - 822	D - 218 E - 863	D - 198 E - 905	D - 177 E - 946
	1400	D - 268 E - 864	D - 218 E - 964	D - 168 E - 1064	D - 455 E - 409	D - 434 E - 532	D - 413 E - 573	D - 393 E - 615	D - 372 E - 656	D - 351 E - 698	D - 331 E - 739	D - 310 E - 780	D - 289 E - 822	D - 268 E - 863	D - 248 E - 905	D - 227 E - 946
	1500 <small>EXAMPLE 2</small>	D - 318 E - 864	D - 268 E - 964	D - 218 E - 1064	D - 168 E - 1164	D - 484 E - 532	D - 463 E - 573	D - 443 E - 615	D - 422 E - 656	D - 401 E - 698	D - 381 E - 739	D - 360 E - 780	D - 339 E - 822	D - 318 E - 863	D - 298 E - 905	D - 277 E - 946
	1600	D - 368 E - 864	D - 318 E - 964	D - 268 E - 1064	D - 218 E - 1164	D - 168 E - 1264	D - 513 E - 573	D - 493 E - 615	D - 472 E - 656	D - 451 E - 698	D - 431 E - 739	D - 410 E - 780	D - 389 E - 822	D - 368 E - 863	D - 348 E - 905	D - 327 E - 946
	1700	D - 418 E - 864	D - 368 E - 964	D - 318 E - 1064	D - 268 E - 1164	D - 218 E - 1264	D - 168 E - 1364	D - 543 E - 615	D - 522 E - 656	D - 501 E - 698	D - 481 E - 739	D - 460 E - 780	D - 439 E - 822	D - 418 E - 863	D - 398 E - 905	D - 377 E - 946
	1800	D - 468 E - 864	D - 418 E - 964	D - 368 E - 1064	D - 318 E - 1164	D - 268 E - 1264	D - 218 E - 1364	D - 168 E - 1464	D - 572 E - 656	D - 551 E - 698	D - 531 E - 739	D - 510 E - 780	D - 489 E - 822	D - 468 E - 863	D - 448 E - 905	D - 427 E - 946
	1900	D - 518 E - 864	D - 468 E - 964	D - 418 E - 1064	D - 368 E - 1164	D - 318 E - 1264	D - 268 E - 1364	D - 218 E - 1464	D - 168 E - 1564	D - 601 E - 698	D - 581 E - 739	D - 560 E - 780	D - 539 E - 822	D - 518 E - 863	D - 498 E - 905	D - 477 E - 946
	2000	D - 568 E - 864	D - 518 E - 964	D - 468 E - 1064	D - 418 E - 1164	D - 368 E - 1264	D - 318 E - 1364	D - 268 E - 1464	D - 218 E - 1564	D - 168 E - 1664	D - 631 E - 739	D - 610 E - 780	D - 589 E - 822	D - 568 E - 863	D - 548 E - 905	D - 527 E - 946
	2100	D - 618 E - 864	D - 568 E - 964	D - 518 E - 1064	D - 468 E - 1164	D - 418 E - 1264	D - 368 E - 1364	D - 318 E - 1464	D - 268 E - 1564	D - 218 E - 1664	D - 168 E - 1764	D - 660 E - 780	D - 639 E - 822	D - 618 E - 863	D - 598 E - 905	D - 577 E - 946
	2200	D - 668 E - 864	D - 618 E - 964	D - 568 E - 1064	D - 518 E - 1164	D - 468 E - 1264	D - 418 E - 1364	D - 368 E - 1464	D - 318 E - 1564	D - 268 E - 1664	D - 218 E - 1764	D - 168 E - 1864	D - 689 E - 822	D - 668 E - 863	D - 648 E - 905	D - 627 E - 946
	2300	D - 718 E - 864	D - 668 E - 964	D - 618 E - 1064	D - 568 E - 1164	D - 518 E - 1264	D - 468 E - 1364	D - 418 E - 1464	D - 368 E - 1564	D - 318 E - 1664	D - 268 E - 1764	D - 218 E - 1864	D - 168 E - 1964	D - 718 E - 863	D - 698 E - 905	D - 677 E - 946
	2400	D - 768 E - 864	D - 718 E - 964	D - 668 E - 1064	D - 618 E - 1164	D - 568 E - 1264	D - 518 E - 1364	D - 468 E - 1464	D - 418 E - 1564	D - 368 E - 1664	D - 318 E - 1764	D - 268 E - 1864	D - 218 E - 1964	D - 168 E - 2064	D - 748 E - 905	D - 727 E - 946

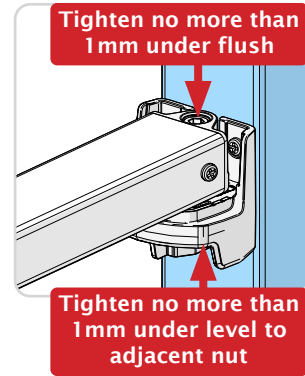
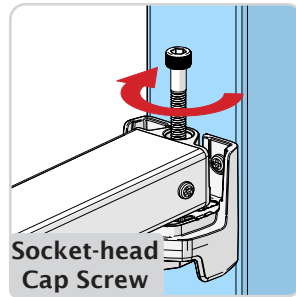
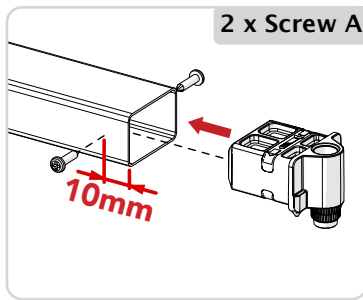
STEP 4

Attach rail item **B** x2, then followed by rail item **C** x2



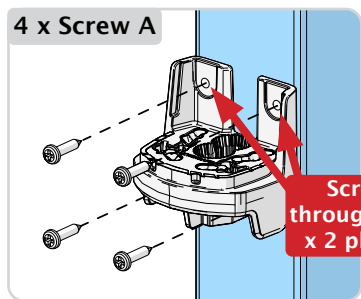
Rail Assembly

Fit Rail Insert as shown both ends.

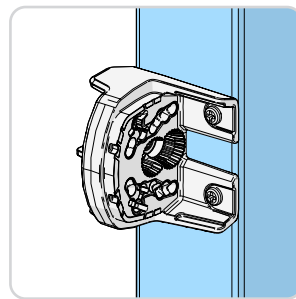


Installation Types

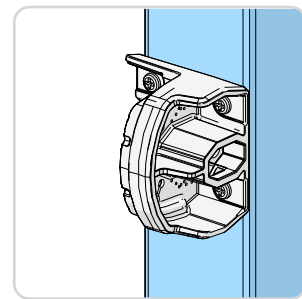
There are 3 typical different ways to install the **Universal Connector** to a 50x50 hollow member.



Upright Fit



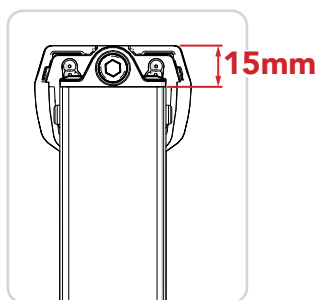
Outside Fit



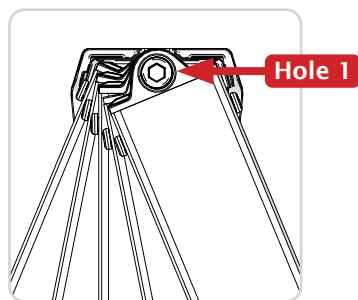
Inside Fit

Rail Positions

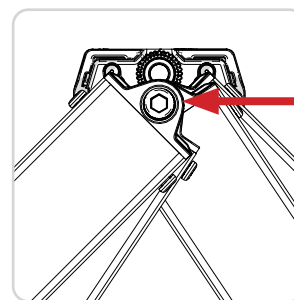
When following the dimensions stated on Kwiktech drawings, the angles will be predefined by the **Universal Connector** placement and rail length. Just select the correct hole when fitting.



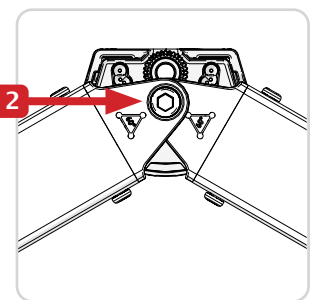
0°



0° - 22.5° Angles



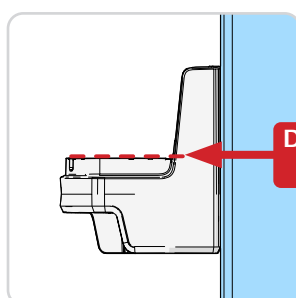
33.75° - 45° Angles



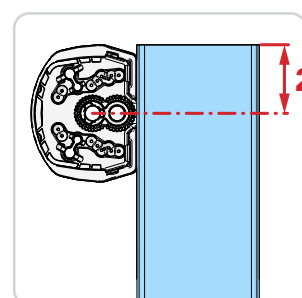
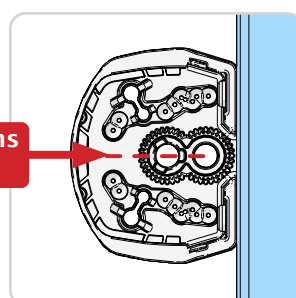
60° Angle

Reading Drawings

When reading Kwiktech drawings the dimensions will refer to these centre positions on the **Universal Connector**.



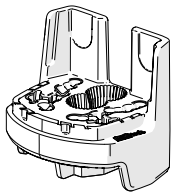
Dimensions to here



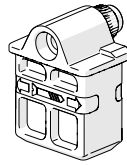
28mm

EASY FRAME DIY Kit

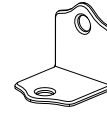
Includes:



Kwiktech
Universal
Connector
(KT-P-002)
x8



Kwiktech
Standard
Rail Insert
(KT-P-003)
x8



Right Angle
Bracket
x1



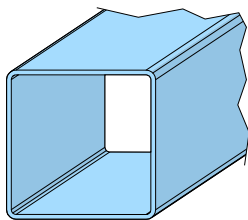
10g x 16 Self
Drilling Wafer
Head Screw
x50



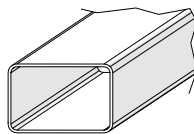
Socket Head
Cap Screw
x8

Metal Tube Required

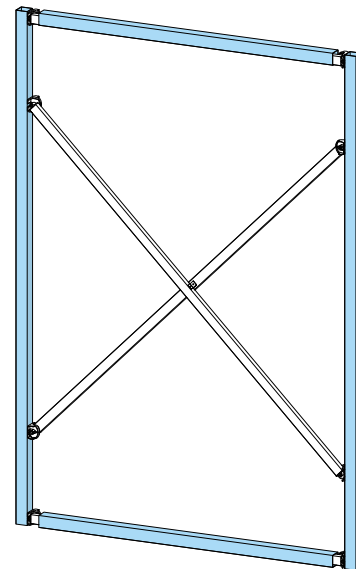
Either Aluminium or DuraGal



50x50mm SHS
(1.5-2.5mm THK)



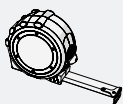
25x38 mm RHS
(1.2-1.6mm THK)



*Example built from this kit

Tools Required

9351815000237



Tape
Measure



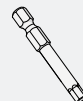
Marker



Power Drill or
Impact Driver



No 2.
Phillips
Head Bit



Hex 5 Bit
and/or
Allen Key



Safety
Glasses



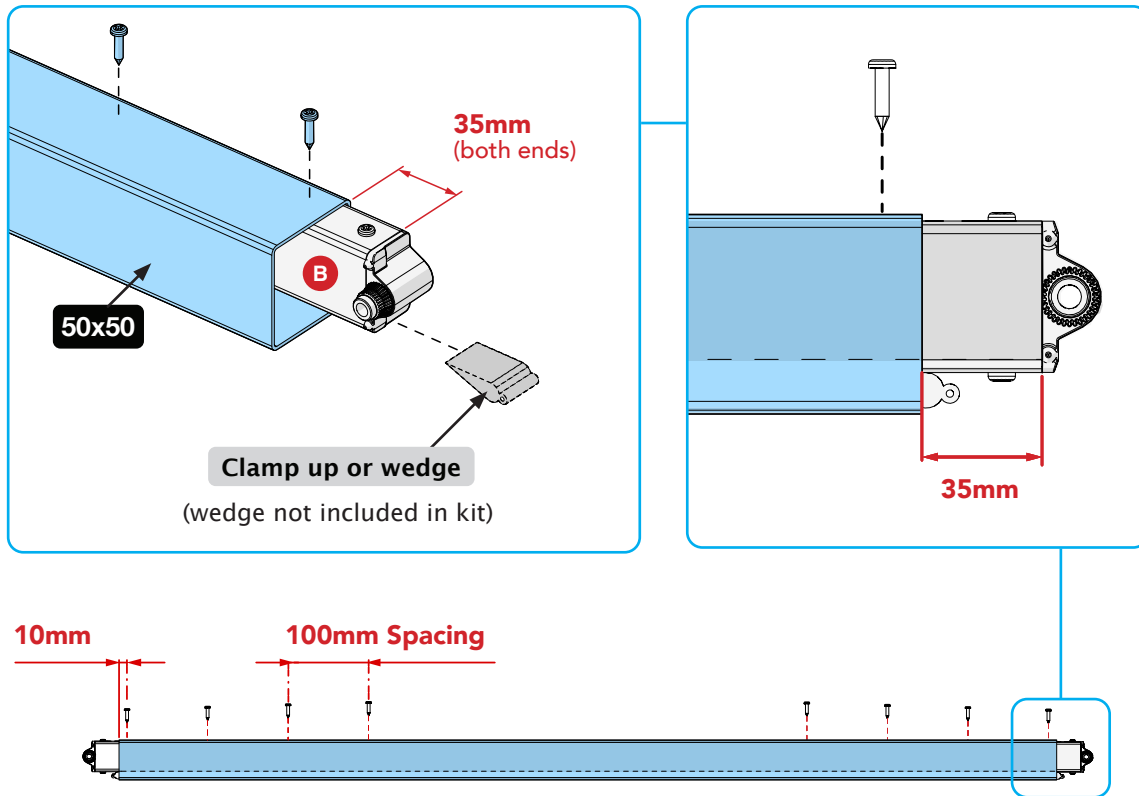
Metal Cutting
Tool for DIY
Cutting

Additional safety, clamping and access equipment may be required at the users discretion. Ø3.5mm drill bit required for some frame work concepts.

Extra Strong Rail Assembly

Telescopic member for strength

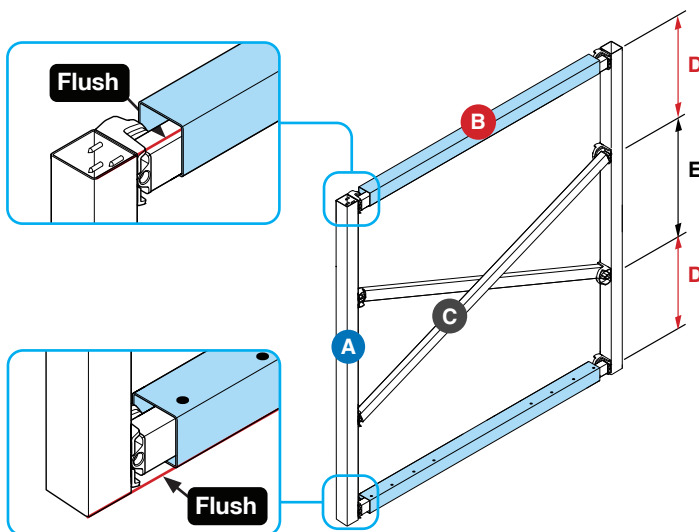
- Cut 50x50 length 70mm shorter than member **B**
- x8 Extra screws required per member



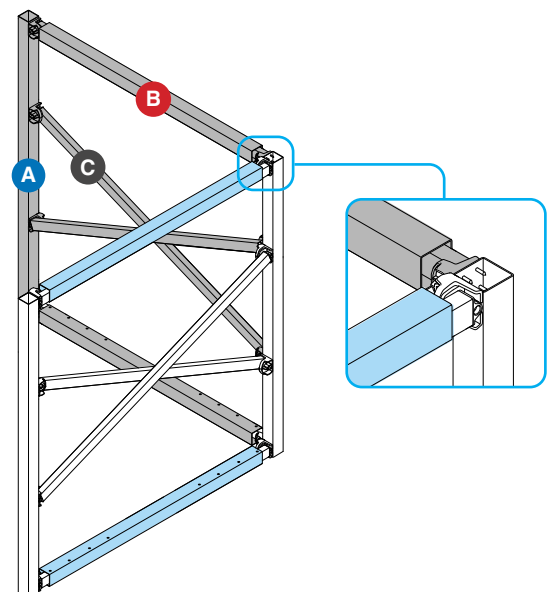
Start fixing screws from the end closest to the Rail Insert.
Temporary clamp or wedge to assist securing members together.

Easy Frame - Expandability

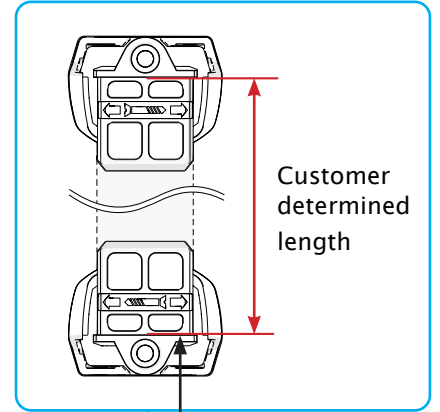
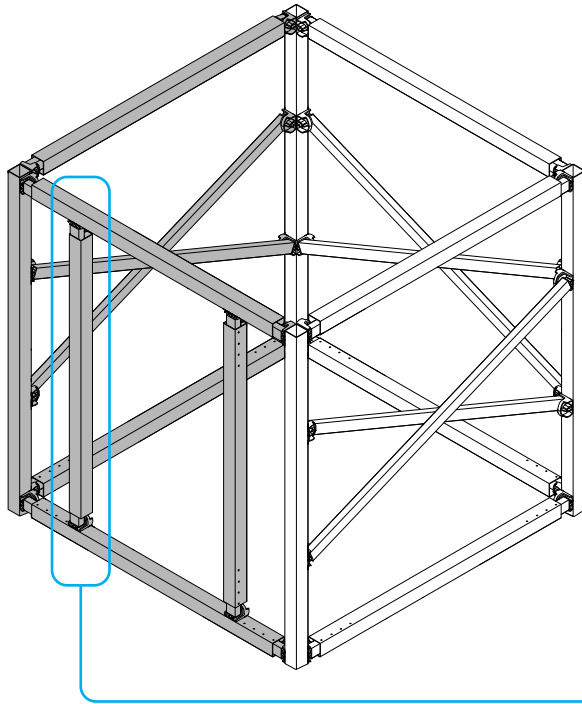
1. Extra Strong



2. Privacy Screen

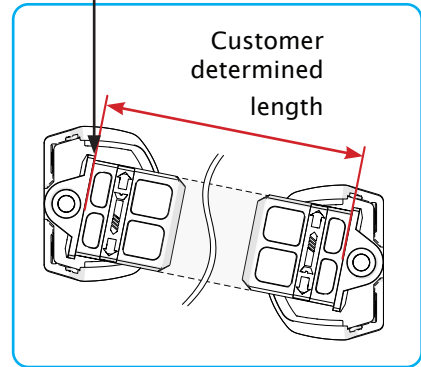
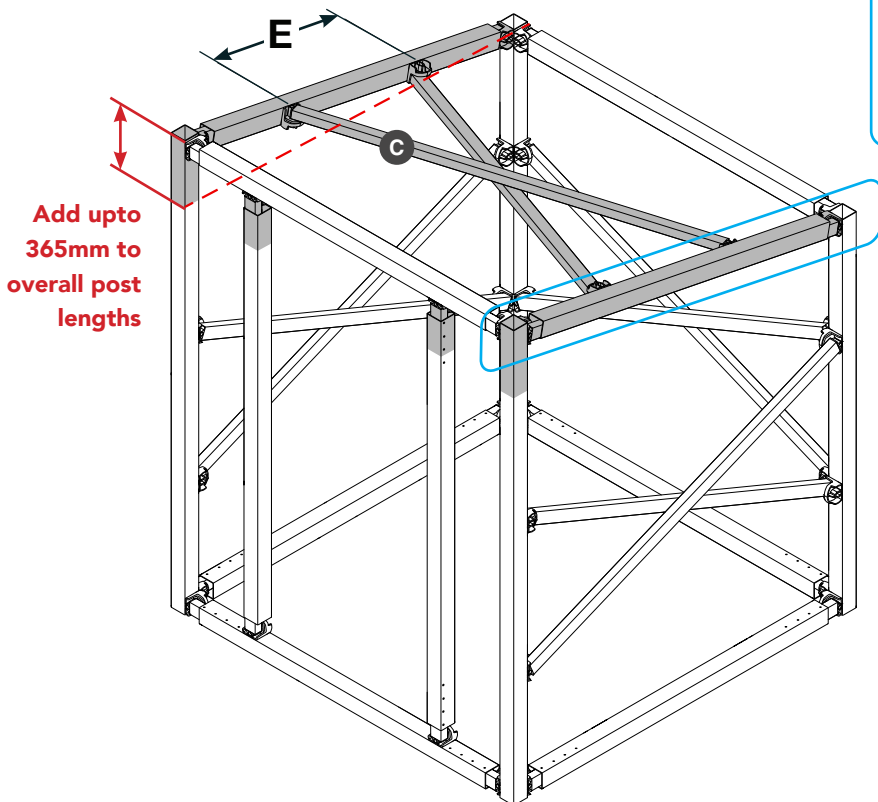


3. Enclosure with Door Frame

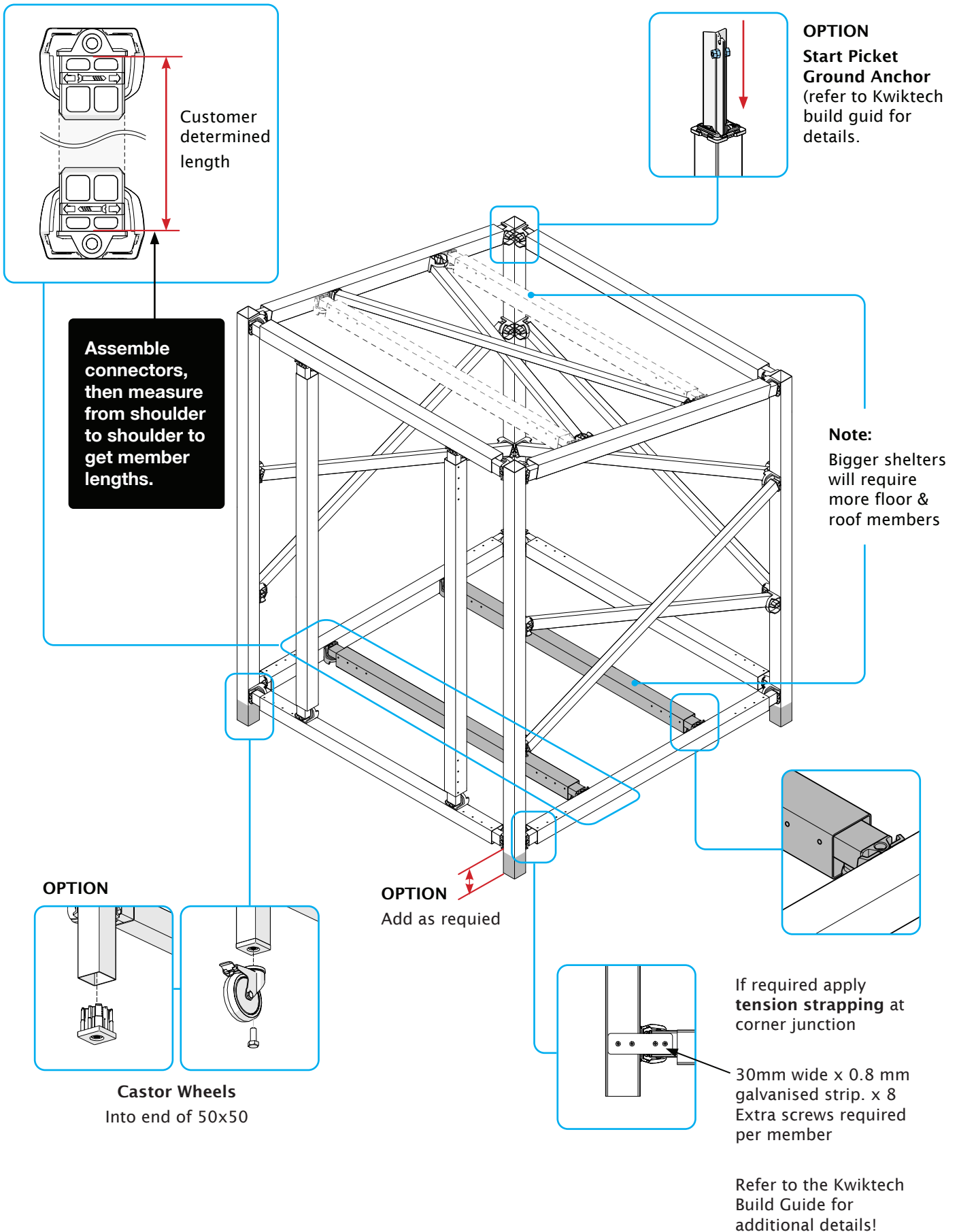


Assemble connectors, then measure from shoulder to shoulder to get member lengths.

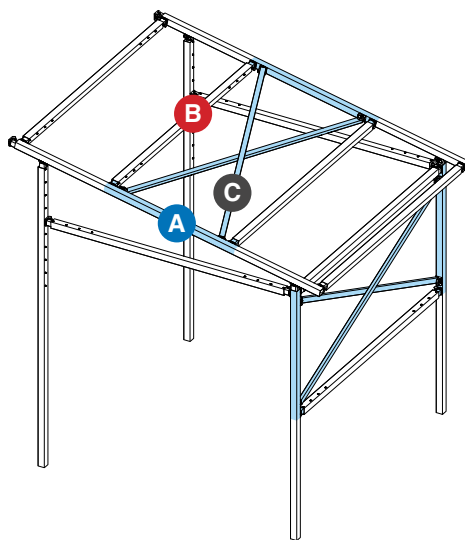
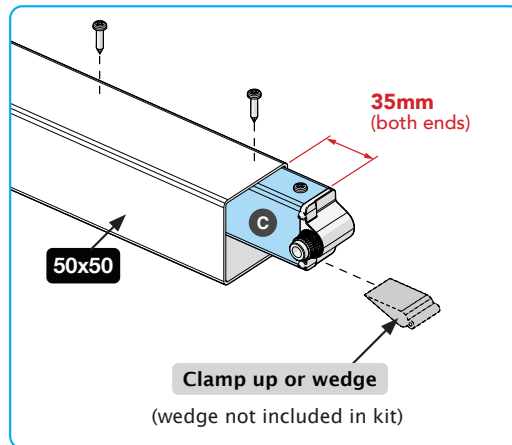
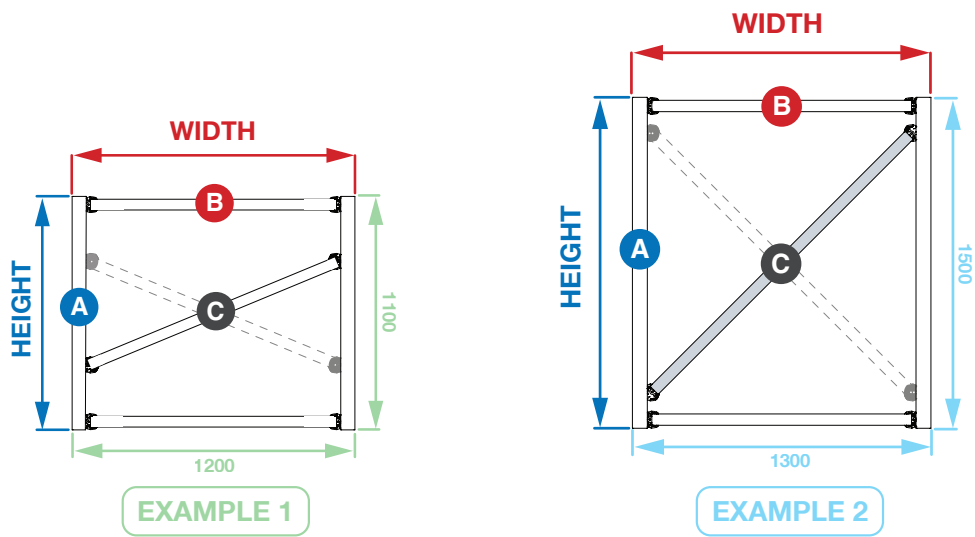
4a. Pitched Roof Shelter



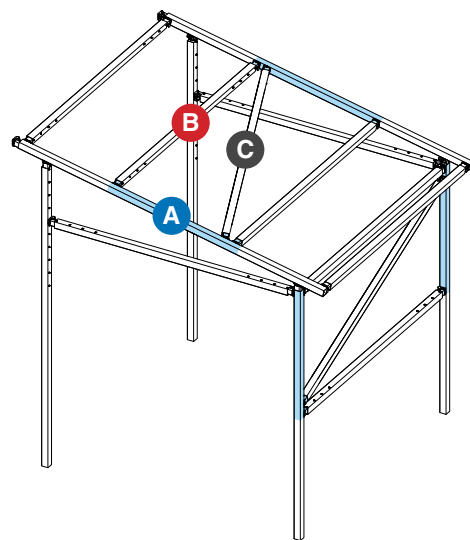
4b. Shelter with Floor & Feet



EASY FRAME SINGLE BRACING OPTION

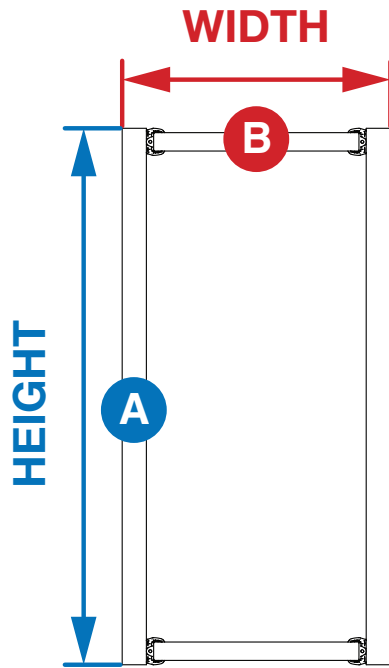


DOUBLE BRACE

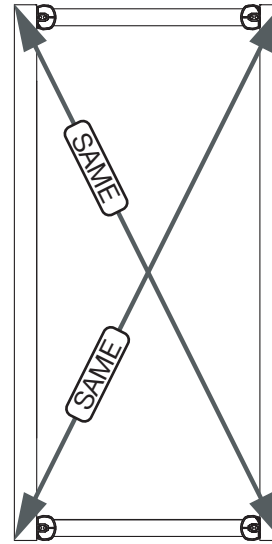


SINGLE BRACE

EASY FRAME NO DIAGONAL BRACING OPTION - For Small Builds

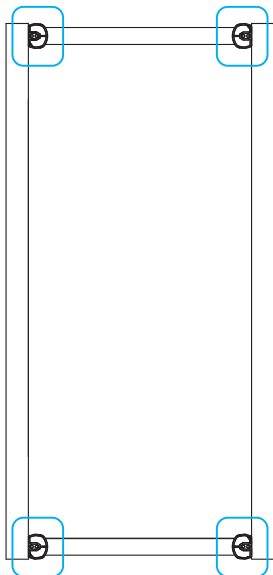


STEP 1
(FRAME FRONT)

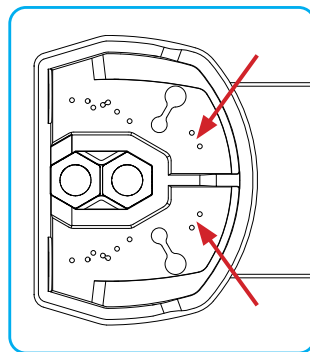


STEP 2
(FRAME BACK)

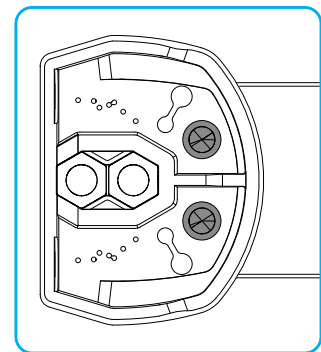
Flip framework to backside.
Ensure diagonal measurements are the same.



STEP 3
(FRAME BACK)



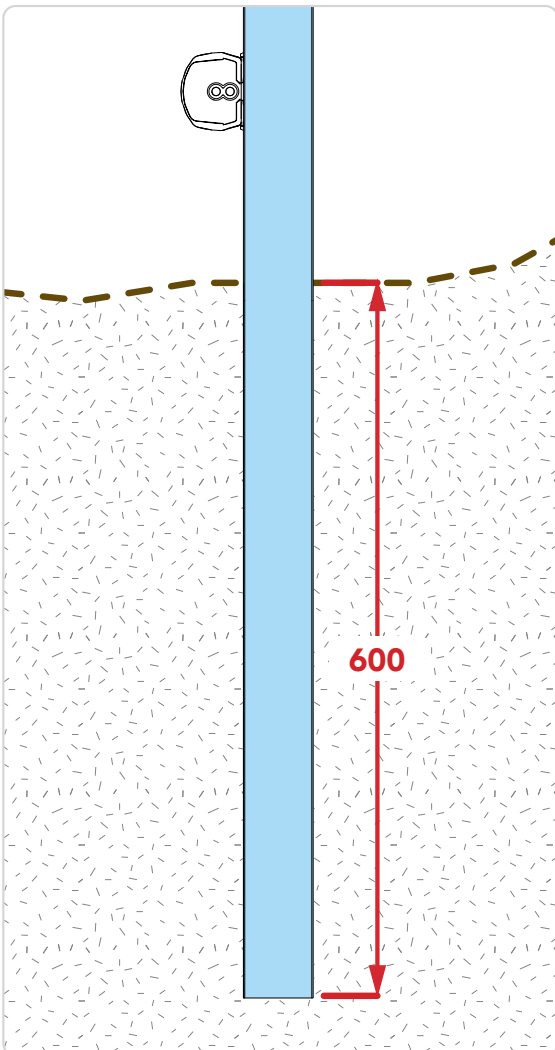
STEP 3-1
Location of Self-Drilling
Screws - between small holes



STEP 3-2
Install Self-Drilling
Screws (x2) per coupling

NOTE: Ensure framework is square before installing Self-Drilling Screws

EASY FRAME GROUND FIXING OPTIONS

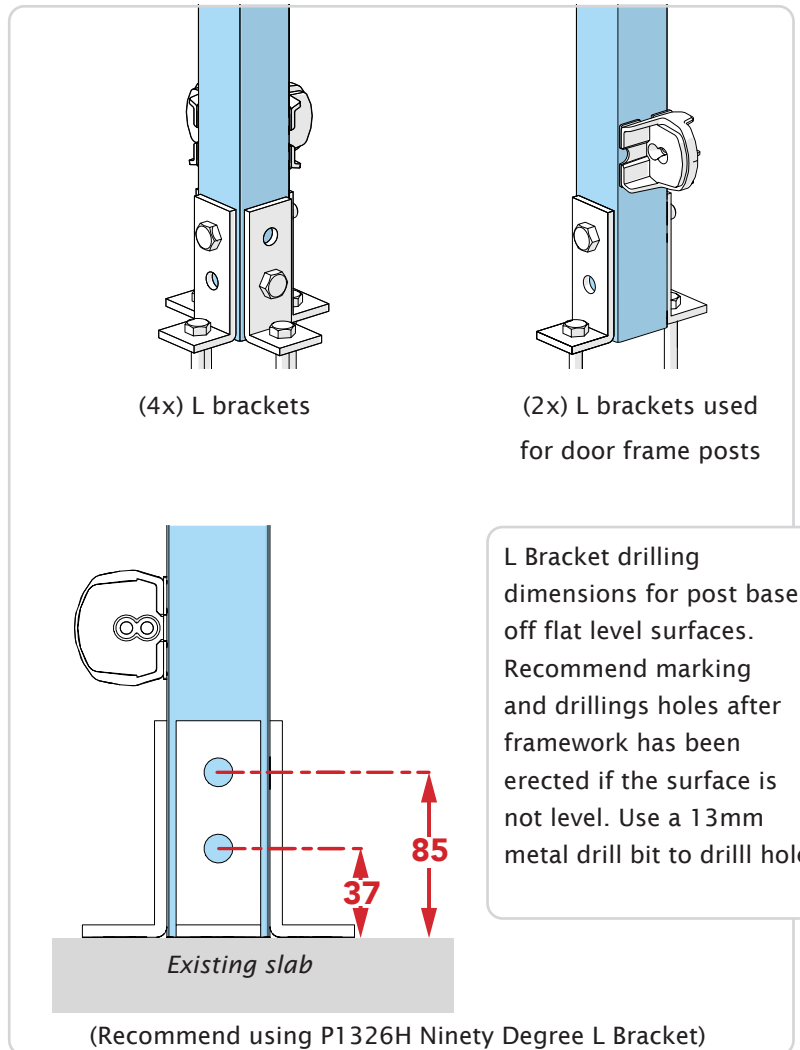


Primary Post Fixing Method

600mm embedment into ground x either 450mm diameter OR 400mm square hole.

Concrete minimum compressive strength of 15 MPa.

(Applies to both fixing scenarios)



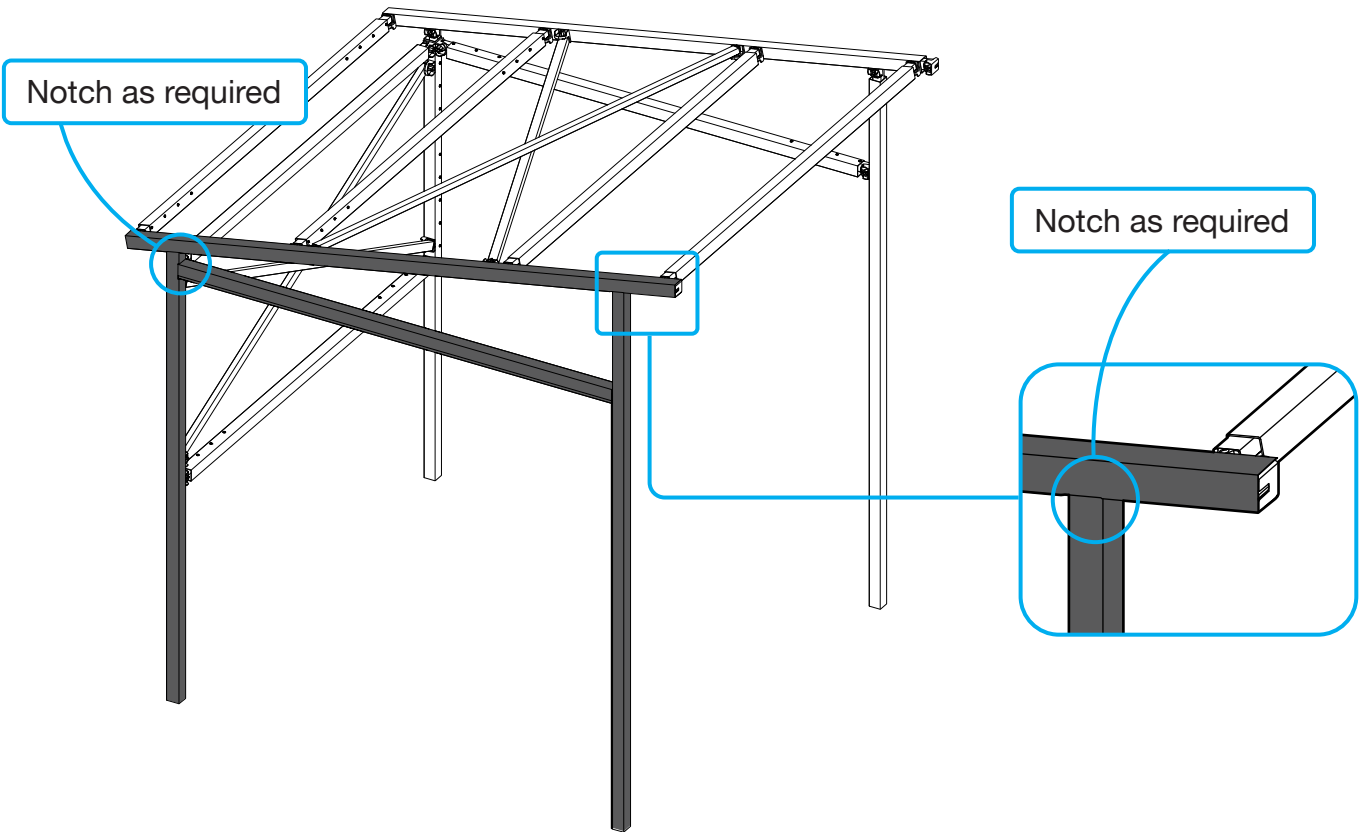
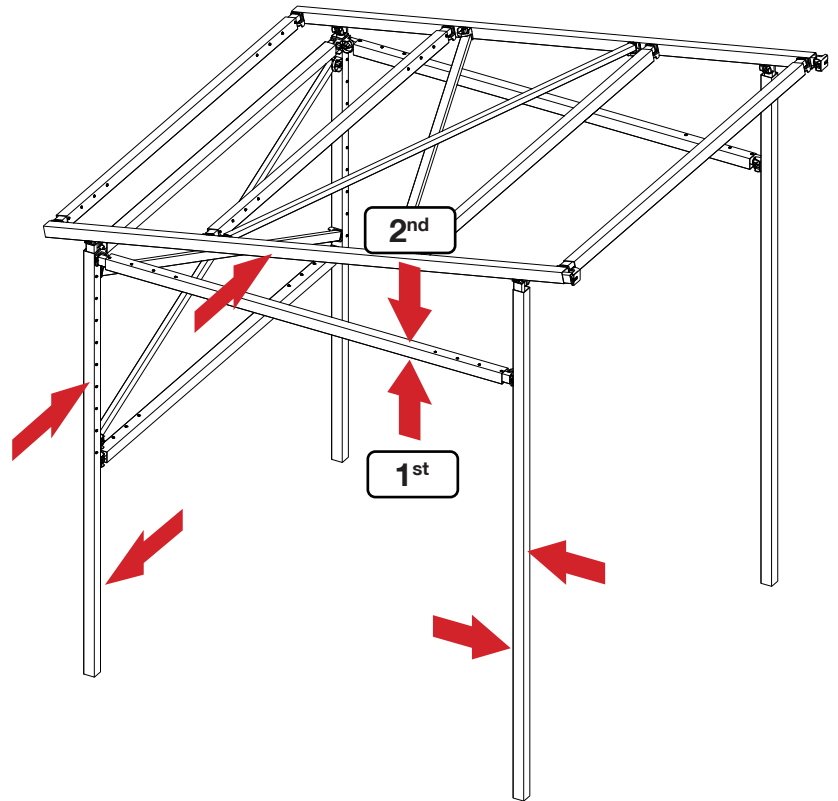
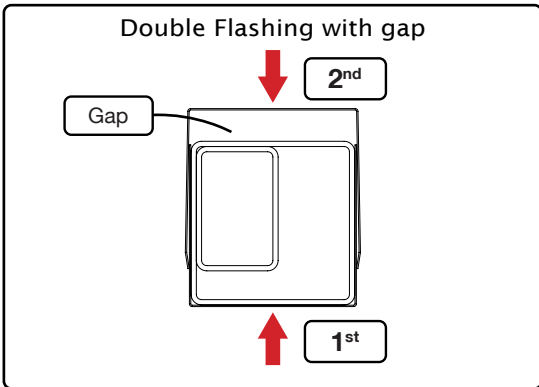
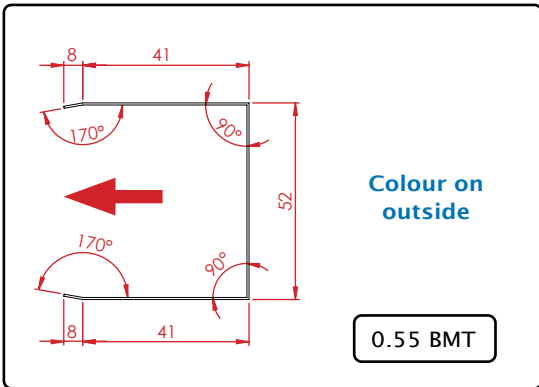
Secondary Post Fixing Method

Assumed existing slab to be minimum 100mm thick & in sound structural condition.

L Bracket fixed to posts via m12x75 4.6 Hex Head Galv Bolt/Nut. Use a 13mm metal drill bit to drill hole.

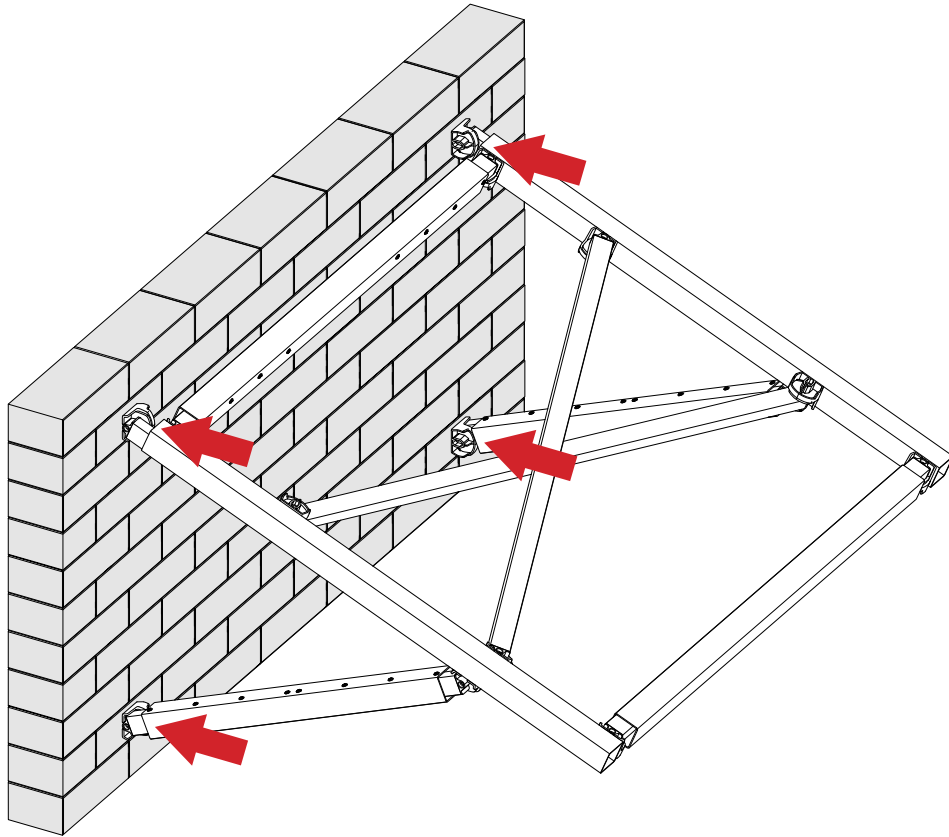
Fixed into concrete with 4 x Dynabolt DP12100GH M10 12x100mm Galv Hex Nut, 70mm min concrete edge distance. Use a 12mm masonry drill bit to drill hole.

EASY FRAME FLASHING



No painting required! Simply select your desired COLORBOND colour, test fit and then glue your flashings on for a flawless finish.

SCREW TO ANY SURFACE



Fix to any surface using screws best suited for the surface.



Example Screws