

100x50x1.6 RHS

Larger Steel Connection Information

User Manual

Read in conjunction with
Kwiktech Build Guide and
Kwiktech Tips & Tricks

Designed by



Engineering; Refer to
Kwiktech Build Guide AS/NZS
1170 Load Rating

Rev 2

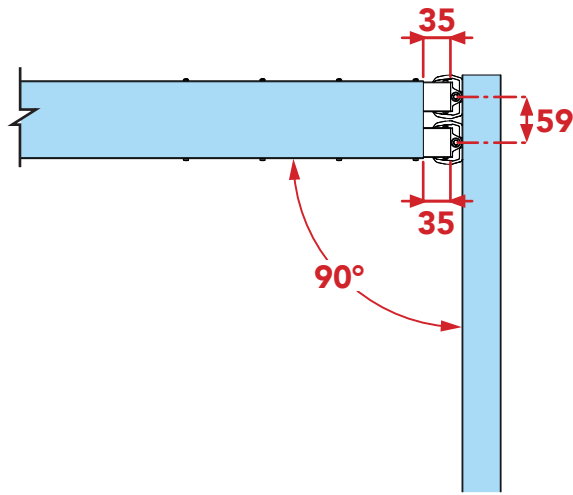
This Manual is the sole property of
Kwiktech Pty Ltd.
All rights are reserved.

This Manual is designed to be only
used with Kwiktech
produced products.

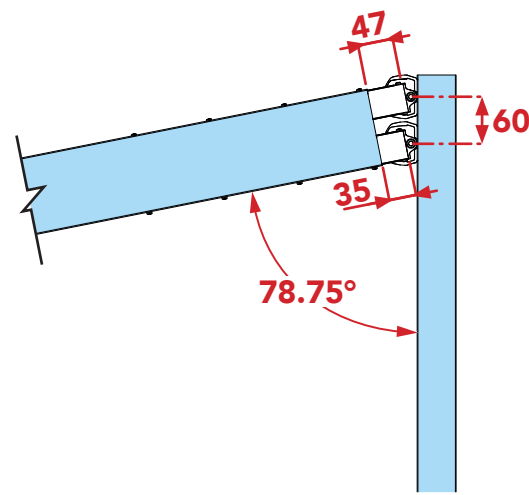
No part of this Manual or the
Kwiktech product design may be
copied or reproduced without the
consent of Kwiktech Pty Ltd.

Construction using Kwiktech
products may require planning
approval. Always contact your Local
Council for the most up-to-date
rules and regulations for your area.

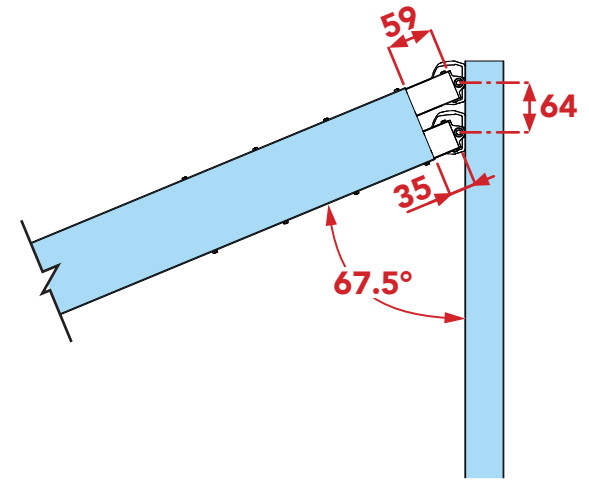
All dimensions are in millimeters
(mm)



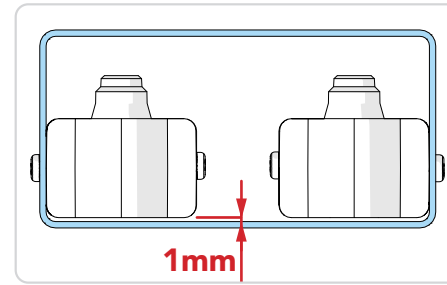
0 Degree Rail Positions



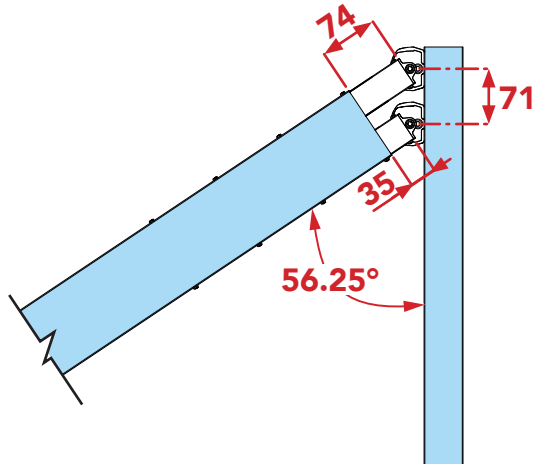
11.25 Degree Rail Positions



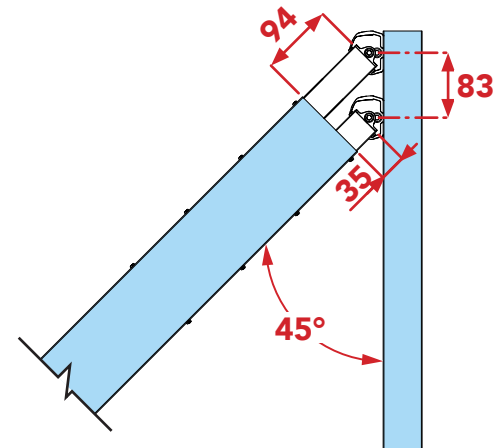
22.5 Degree Rail Positions



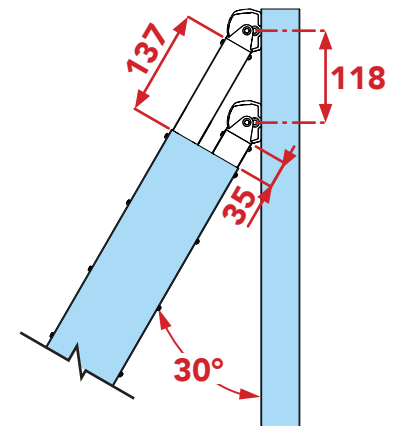
Rail End View



33.75 Degree Rail Positions



45 Degree Rail Positions



60 Degree Rail Positions

150x50x2 RHS

Larger Steel Connection Information

User Manual

Read in conjunction with
Kwiktech Build Guide and
Kwiktech Tips & Tricks

Designed by



Engineering; Refer to
Kwiktech Build Guide AS/NZS
1170 Load Rating

Rev 2

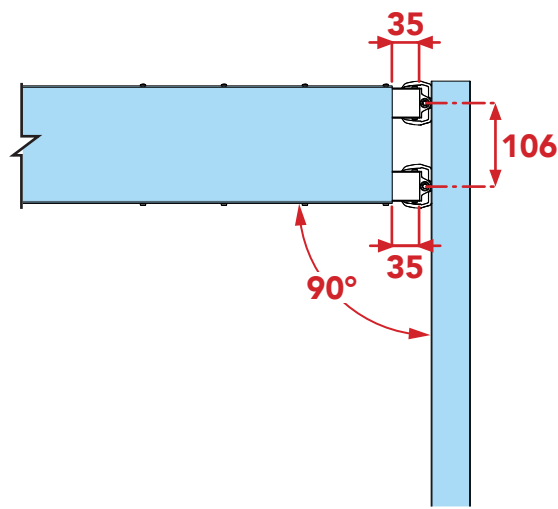
This Manual is the sole property of
Kwiktech Pty Ltd.
All rights are reserved.

This Manual is designed to be only
used with Kwiktech
produced products.

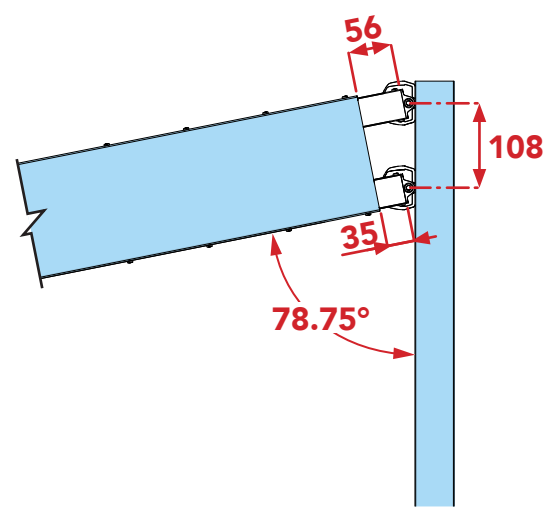
No part of this Manual or the
Kwiktech product design may be
copied or reproduced without the
consent of Kwiktech Pty Ltd.

Construction using Kwiktech
products may require planning
approval. Always contact your Local
Council for the most up-to-date
rules and regulations for your area.

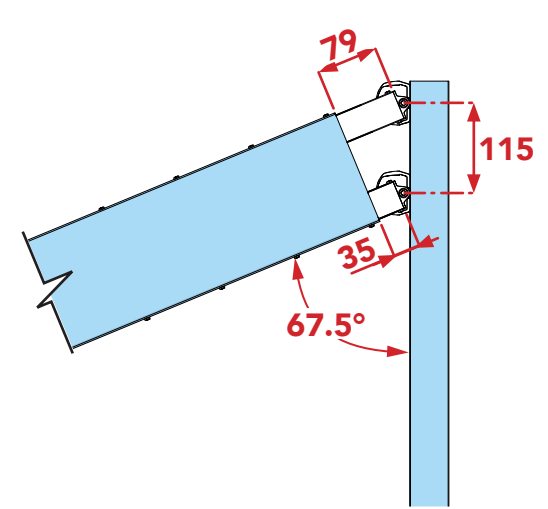
All dimensions are in millimeters
(mm)



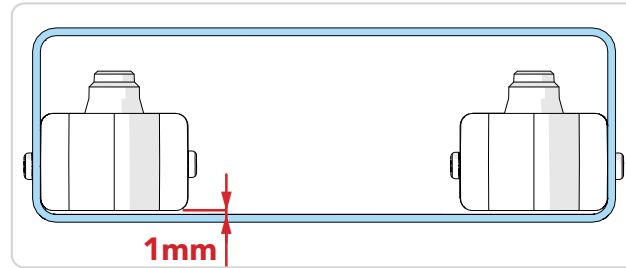
0 Degree Rail Positions



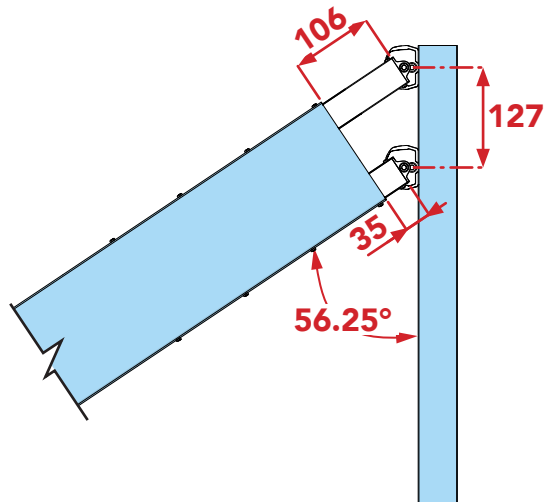
11.25 Degree Rail Positions



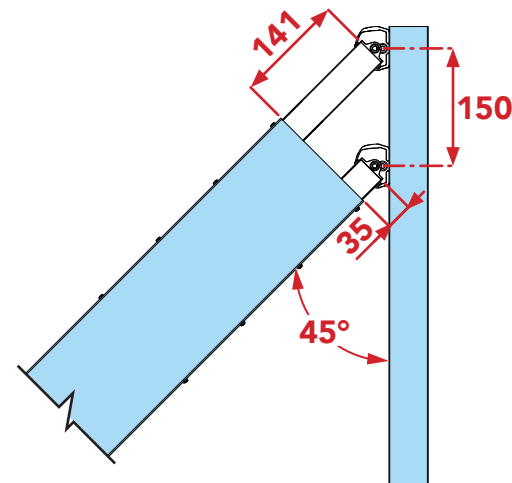
22.5 Degree Rail Positions



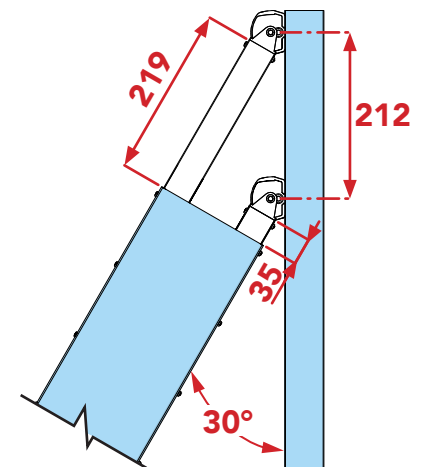
Rail End View



33.75 Degree Rail Positions



45 Degree Rail Positions



60 Degree Rail Positions

C100-10 Purlin

Larger Steel Connection Information

User Manual

Read in conjunction with
Kwiktech Build Guide and
Kwiktech Tips & Tricks

Designed by



Engineering; Refer to
Kwiktech Build Guide AS/NZS
1170 Load Rating

Rev 2

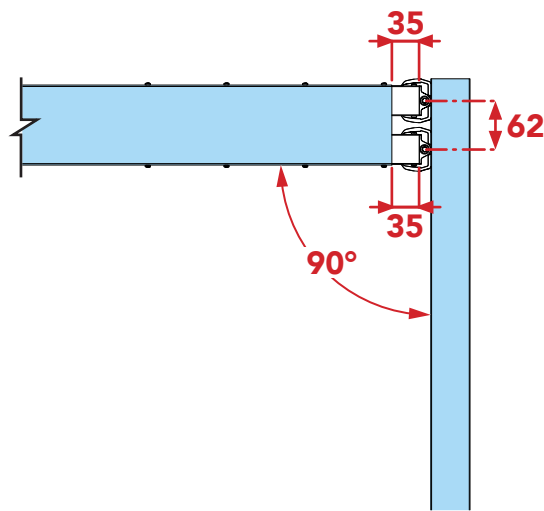
This Manual is the sole property of
Kwiktech Pty Ltd.
All rights are reserved.

This Manual is designed to be only
used with Kwiktech
produced products.

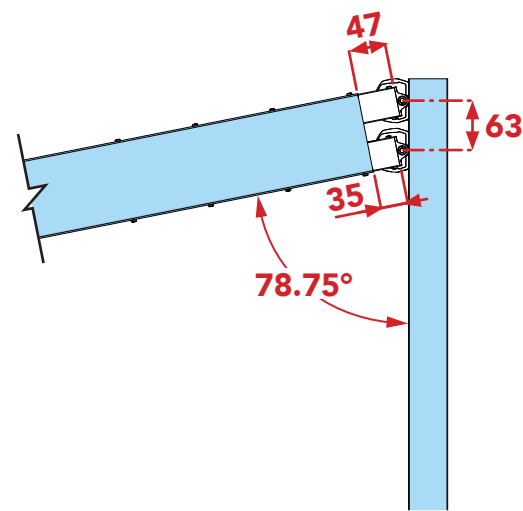
No part of this Manual or the
Kwiktech product design may be
copied or reproduced without the
consent of Kwiktech Pty Ltd.

Construction using Kwiktech
products may require planning
approval. Always contact your Local
Council for the most up-to-date
rules and regulations for your area.

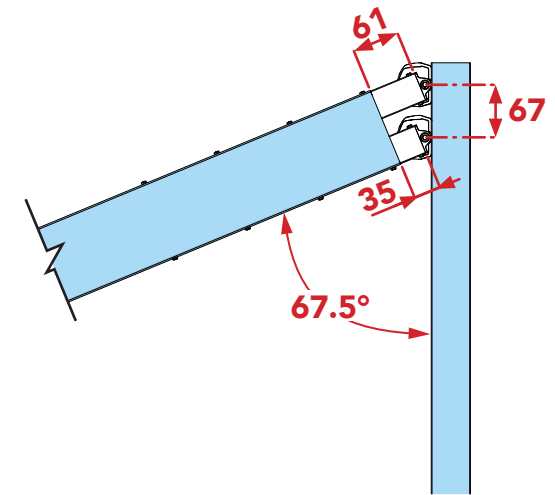
All dimensions are in millimeters
(mm)



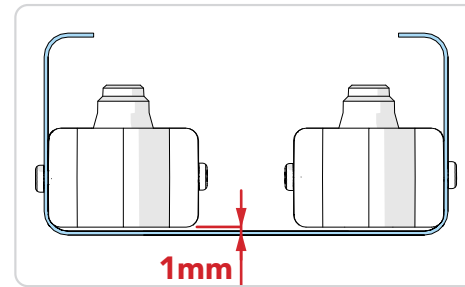
0 Degree Rail Positions



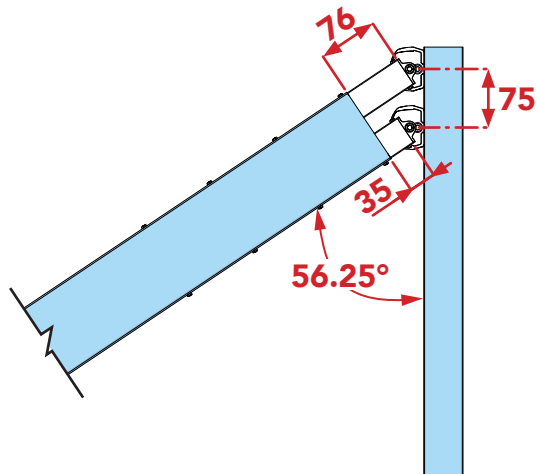
11.25 Degree Rail Positions



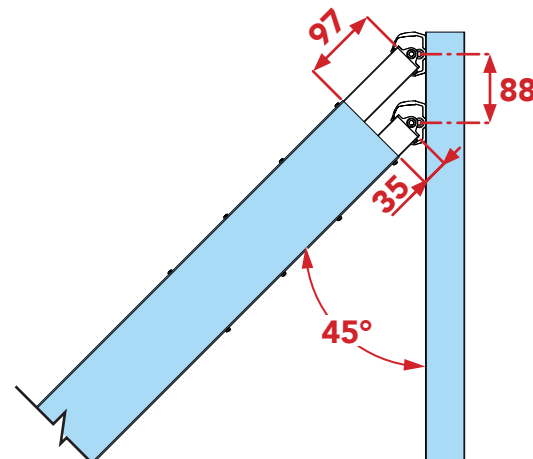
22.5 Degree Rail Positions



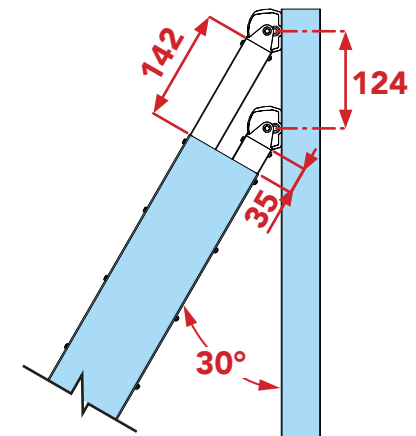
Rail End View



33.75 Degree Rail Positions



45 Degree Rail Positions



60 Degree Rail Positions

C150-10 Purlin

Larger Steel Connection Information

User Manual

Read in conjunction with
Kwiktech Build Guide and
Kwiktech Tips & Tricks

Designed by



Engineering; Refer to
Kwiktech Build Guide AS/NZS
1170 Load Rating

Rev 2

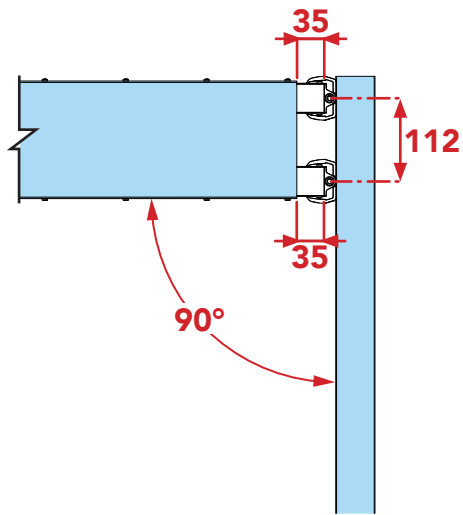
This Manual is the sole property of
Kwiktech Pty Ltd.
All rights are reserved.

This Manual is designed to be only
used with Kwiktech
produced products.

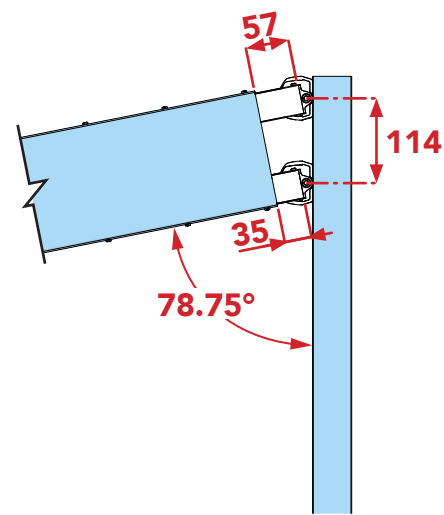
No part of this Manual or the
Kwiktech product design may be
copied or reproduced without the
consent of Kwiktech Pty Ltd.

Construction using Kwiktech
products may require planning
approval. Always contact your Local
Council for the most up-to-date
rules and regulations for your area.

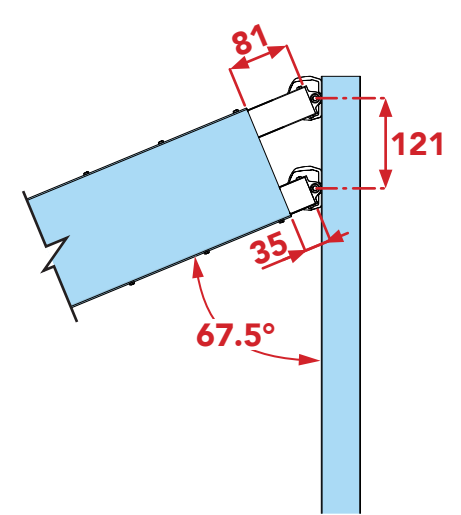
All dimensions are in millimeters
(mm)



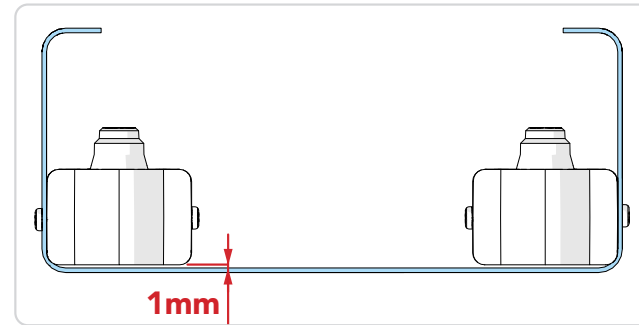
0 Degree Rail Positions



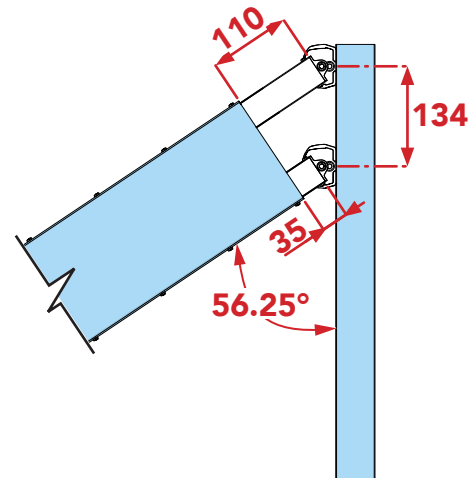
11.25 Degree Rail Positions



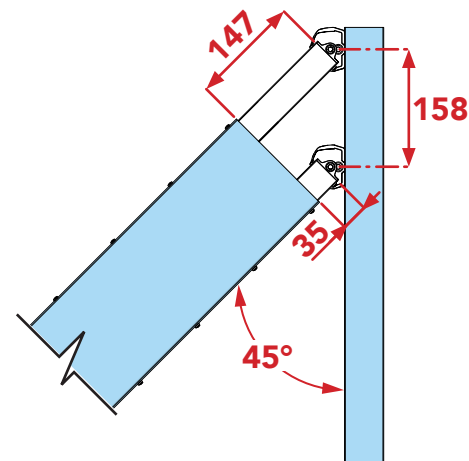
22.5 Degree Rail Positions



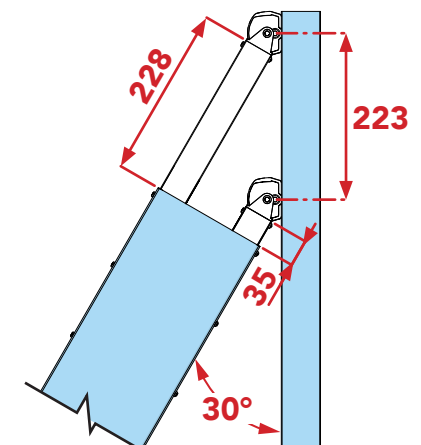
Rail End View



33.75 Degree Rail Positions



45 Degree Rail Positions



60 Degree Rail Positions